



US00D614206S

(12) **United States Design Patent**  
**Ruvang**

(10) **Patent No.:** **US D614,206 S**  
(45) **Date of Patent:** **\*\* \*Apr. 20, 2010**

- (54) **GROUND ENGAGING WEAR MEMBER**
- (75) Inventor: **John A. Ruvang**, Lake Dallas, TX (US)
- (73) Assignee: **Hensley Industries, Inc.**, Dallas, TX (US)
- (\*\*) Term: **14 Years**
- (21) Appl. No.: **29/343,314**
- (22) Filed: **Sep. 10, 2009**

**Related U.S. Application Data**

- (62) Division of application No. 29/298,828, filed on Dec. 13, 2007, now Pat. No. Des. 602,505.
- (51) **LOC (9) Cl.** ..... **15-03**
- (52) **U.S. Cl.** ..... **D15/29**
- (58) **Field of Classification Search** ..... D15/25, D15/28, 29; 37/450, 452-455, 446, 465  
See application file for complete search history.

(56) **References Cited**

**U.S. PATENT DOCUMENTS**

4,231,173 A \* 11/1980 Davis ..... 37/457  
(Continued)

**FOREIGN PATENT DOCUMENTS**

AR 78084 8/2008  
(Continued)

**OTHER PUBLICATIONS**

Examination Report dated Oct. 30, 2009, by the Colombian Patent Office, regarding Colombian Industrial Design Application 08-61054 (6 pages).  
(Continued)

*Primary Examiner*—Ian Simmons  
*Assistant Examiner*—Mark A Goodwin  
(74) *Attorney, Agent, or Firm*—Haynes and Boone, LLP

(57) **CLAIM**

The ornamental design for a ground engaging wear member, as shown and described.

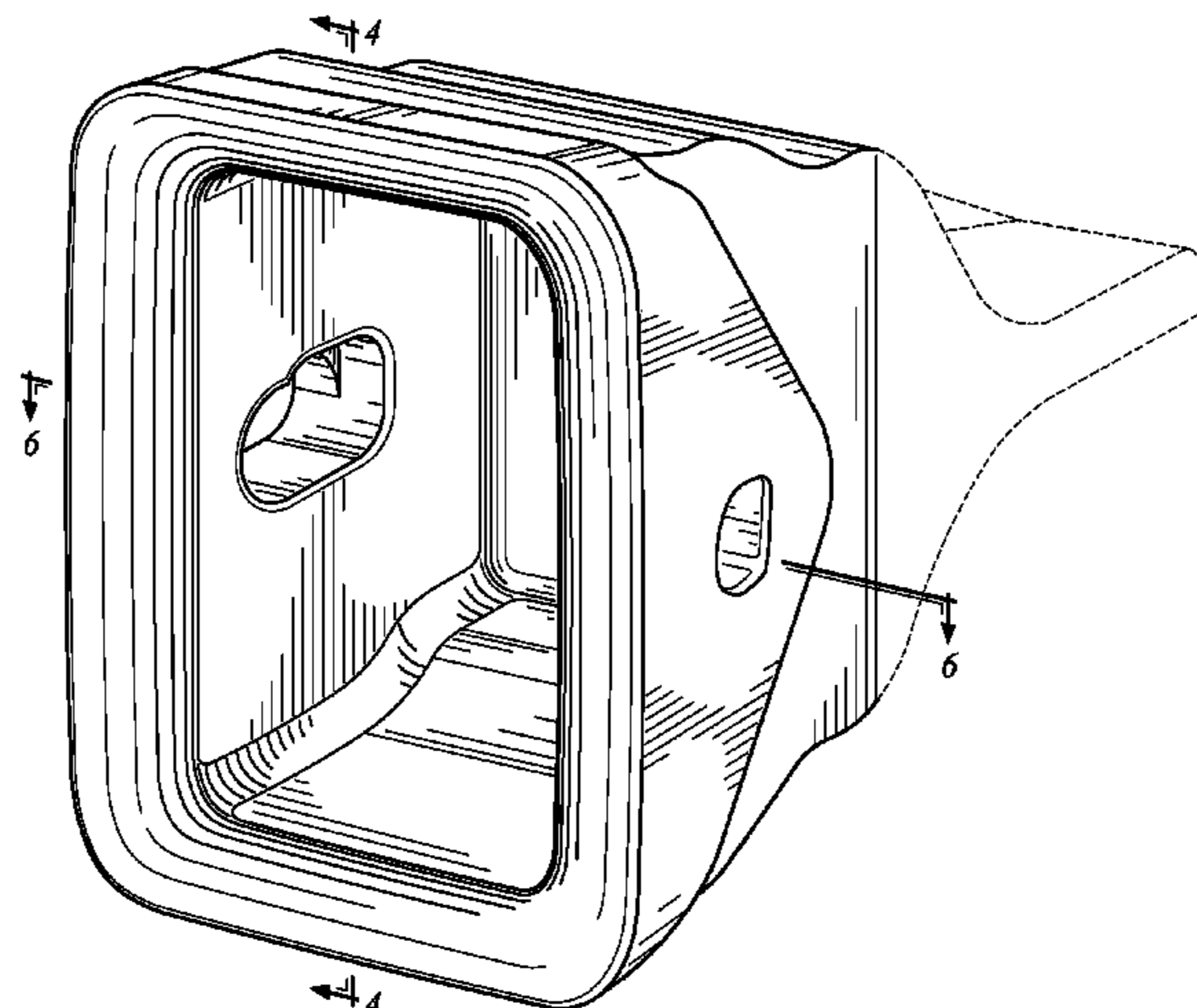
**DESCRIPTION**

FIG. 1 is a perspective view of the ground engaging wear member showing my new design according to a first embodiment;

- FIG. 2 is another perspective view of the first embodiment;
- FIG. 3 is an elevational view of the first embodiment;
- FIG. 4 is a sectional view of the first embodiment taken along line 4—4 of FIG. 1;
- FIG. 5 is a sectional view of the first embodiment taken along line 5—5 of FIG. 2;
- FIG. 6 is a sectional view of the first embodiment taken along line 6—6 of FIG. 1;
- FIG. 7 is a sectional view of the first embodiment taken along line 7—7 of FIG. 2;
- FIG. 8 is a perspective view of the ground engaging wear member showing my new design according to a second embodiment;
- FIG. 9 is another perspective view of the second embodiment;
- FIG. 10 is an elevational view of the second embodiment;
- FIG. 11 is a sectional view of the second embodiment taken along line 11—11 of FIG. 8;
- FIG. 12 is a sectional view of the second embodiment taken along line 12—12 of FIG. 9;
- FIG. 13 is a sectional view of the second embodiment taken along line 13—13 of FIG. 8;
- FIG. 14 is a sectional view of the second embodiment taken along line 14—14 of FIG. 9;
- FIG. 15 is a perspective view of the ground engaging wear member showing my new design according to a third embodiment;
- FIG. 16 is another perspective view of the third embodiment;
- FIG. 17 is an elevational view of the third embodiment;
- FIG. 18 is a sectional view of the third embodiment taken along line 18—18 of FIG. 15;
- FIG. 19 is a sectional view of the third embodiment taken along line 19—19 of FIG. 16;
- FIG. 20 is a sectional view of the third embodiment taken along line 20—20 of FIG. 15; and,
- FIG. 21 is a sectional view of the third embodiment taken along line 21—21 of FIG. 16.

Any broken line illustration of environmental structure in the drawings is not part of the design sought to be patented.

**1 Claim, 21 Drawing Sheets**



# US D614,206 S

Page 2

## U.S. PATENT DOCUMENTS

4,965,945 A \* 10/1990 Emrich ..... 37/456  
5,018,283 A \* 5/1991 Fellner ..... 37/452  
D329,243 S \* 9/1992 Robinson ..... D15/29  
5,311,681 A 5/1994 Ruvang et al.  
5,331,754 A 7/1994 Ruvang  
5,394,629 A 3/1995 Ruvang et al.  
D363,074 S 10/1995 Ruvang  
D365,109 S 12/1995 Robinson et al.  
D365,577 S 12/1995 Ruvang  
5,564,206 A 10/1996 Ruvang  
5,713,145 A 2/1998 Ruvang  
5,718,070 A 2/1998 Ruvang  
5,765,301 A \* 6/1998 Clendenning ..... 37/457  
5,802,752 A \* 9/1998 Quarfordt ..... 37/452  
D413,338 S \* 8/1999 Pueyo Molina ..... D15/29  
5,937,550 A \* 8/1999 Emrich ..... 37/458  
6,041,529 A 3/2000 Ruvang  
D430,172 S \* 8/2000 Kesavan ..... D15/28  
6,108,950 A 8/2000 Ruvang et al.  
D435,567 S \* 12/2000 Clendenning ..... D15/29  
D436,116 S \* 1/2001 Clendenning ..... D15/29  
6,209,238 B1 4/2001 Ruvang  
6,247,255 B1 \* 6/2001 Clendenning ..... 37/452  
D447,154 S \* 8/2001 Clendenning ..... D15/29  
6,393,739 B1 5/2002 Shamblin et al.  
6,439,796 B1 8/2002 Ruvang et al.  
D471,212 S \* 3/2003 Toral Rodriguez ..... D15/28  
D471,565 S \* 3/2003 Toral Rodriguez ..... D15/28  
6,564,482 B2 5/2003 Ruvang

6,826,855 B2 12/2004 Ruvang  
6,976,325 B2 12/2005 Robinson et al.  
7,100,315 B2 \* 9/2006 Carpenter et al. .... 37/454  
7,162,818 B2 1/2007 Ruvang et al.  
D602,505 S 10/2009 Ruvang  
2004/0107608 A1 \* 6/2004 Meyers et al. .... 37/452  
2004/0172866 A1 \* 9/2004 Moreno et al. .... 37/445  
2006/0010725 A1 \* 1/2006 Jackson ..... 37/456  
2006/0010726 A1 \* 1/2006 Emrich et al. .... 37/456  
2006/0117613 A1 \* 6/2006 Jones et al. .... 37/456  
2006/0265916 A1 \* 11/2006 Carpenter et al. .... 37/452  
2007/0000157 A1 \* 1/2007 Emrich ..... 37/452

## FOREIGN PATENT DOCUMENTS

RU 61706 2/2007  
RU 64078 9/2007  
WO WO2003016640 2/2003  
WO WO2004042153 5/2004  
WO WO2005017268 2/2005

## OTHER PUBLICATIONS

Office Action mailed Sep. 5, 2008, by the USPTO, regarding U.S. Appl. No. 29/298,828 (5 pages).  
Office Action mailed Feb. 4, 2009, by the USPTO, regarding U.S. Appl. No. 29/298,828 (5 pages).  
Notice of Allowance mailed Jun. 12, 2009, by the USPTO, regarding U.S. Appl. No. 29/298,828 (7 pages).  
U.S. Appl. No. 29/343,321, filed Sep. 10, 2009, Ruvang.

\* cited by examiner

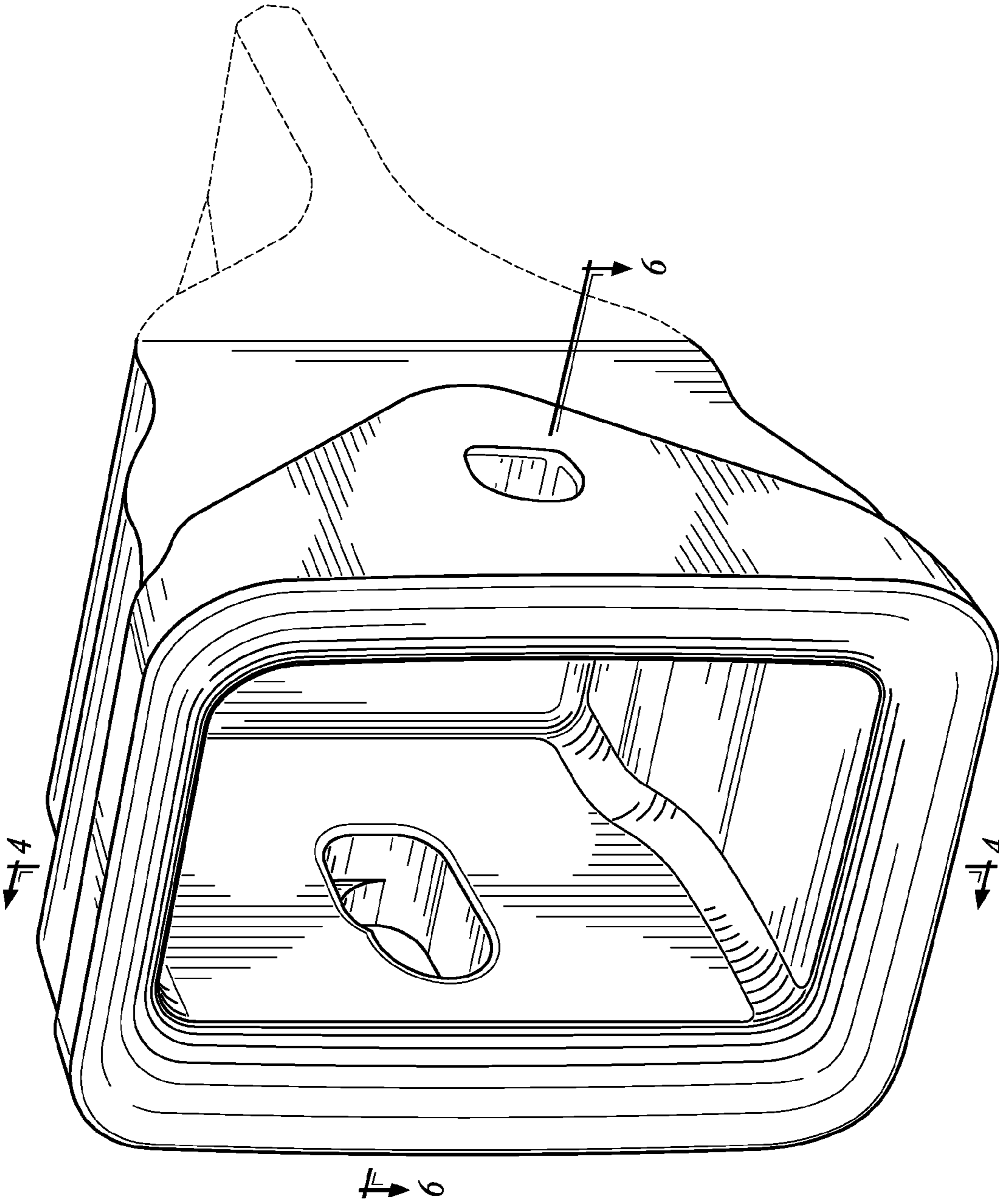
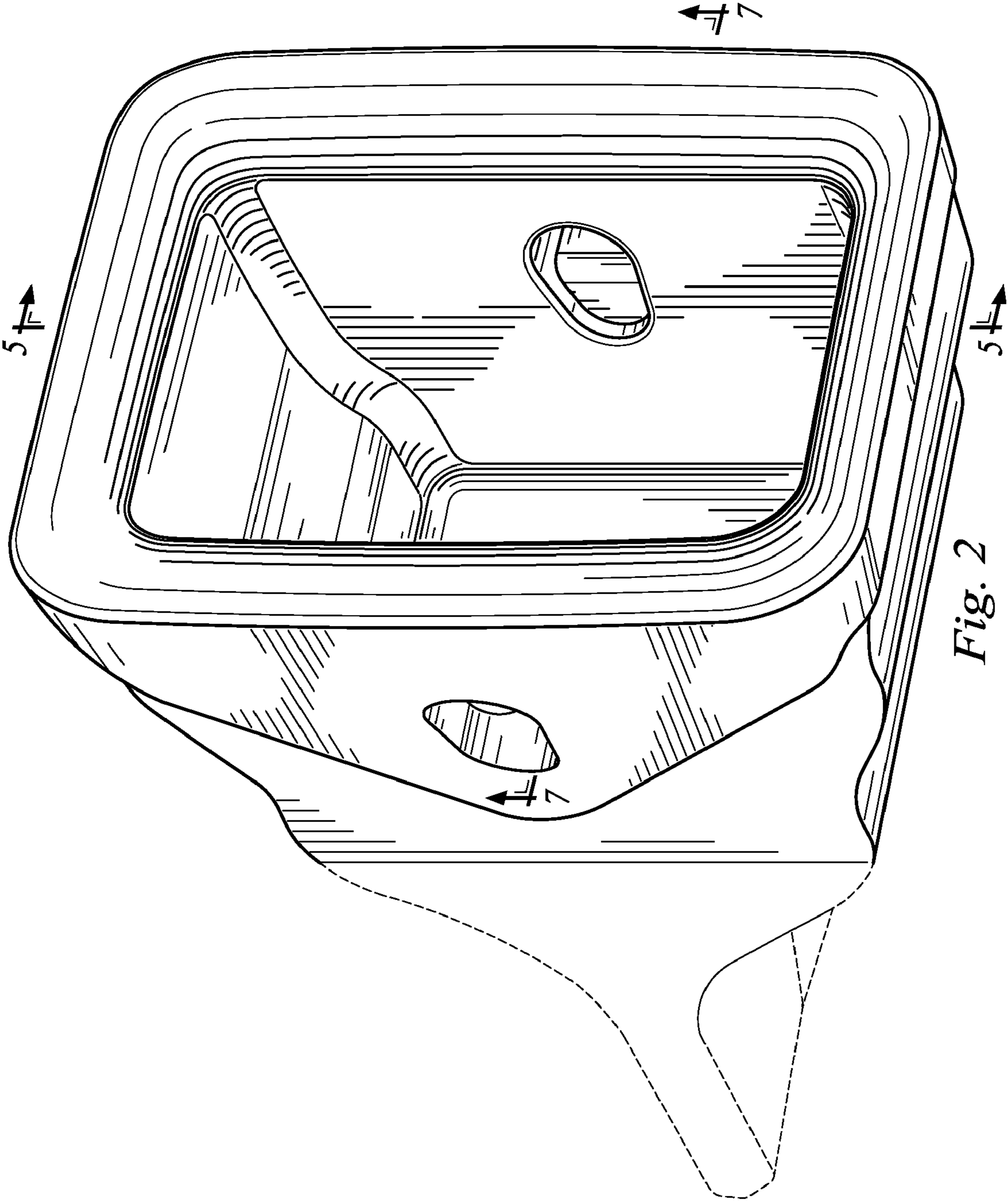
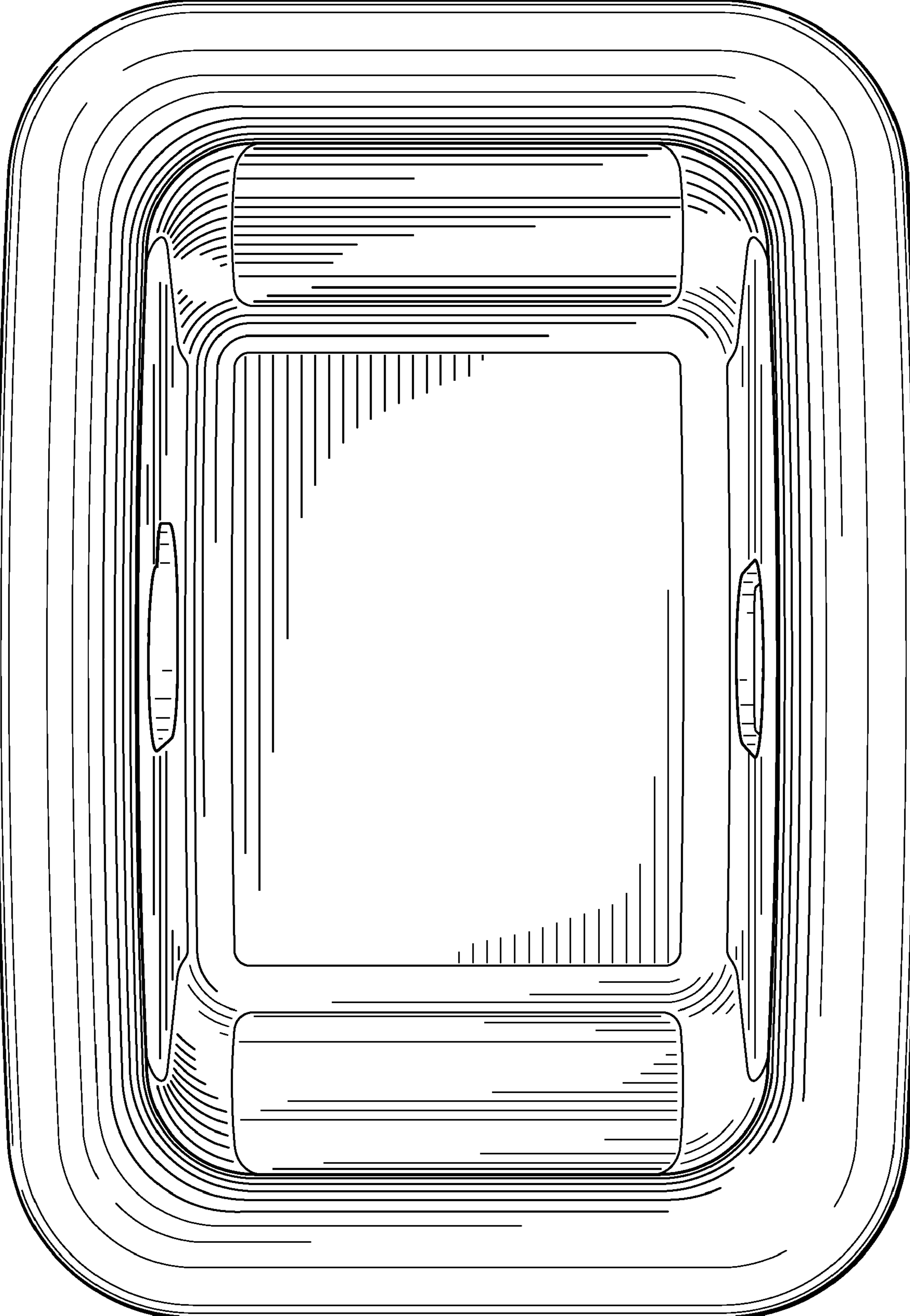
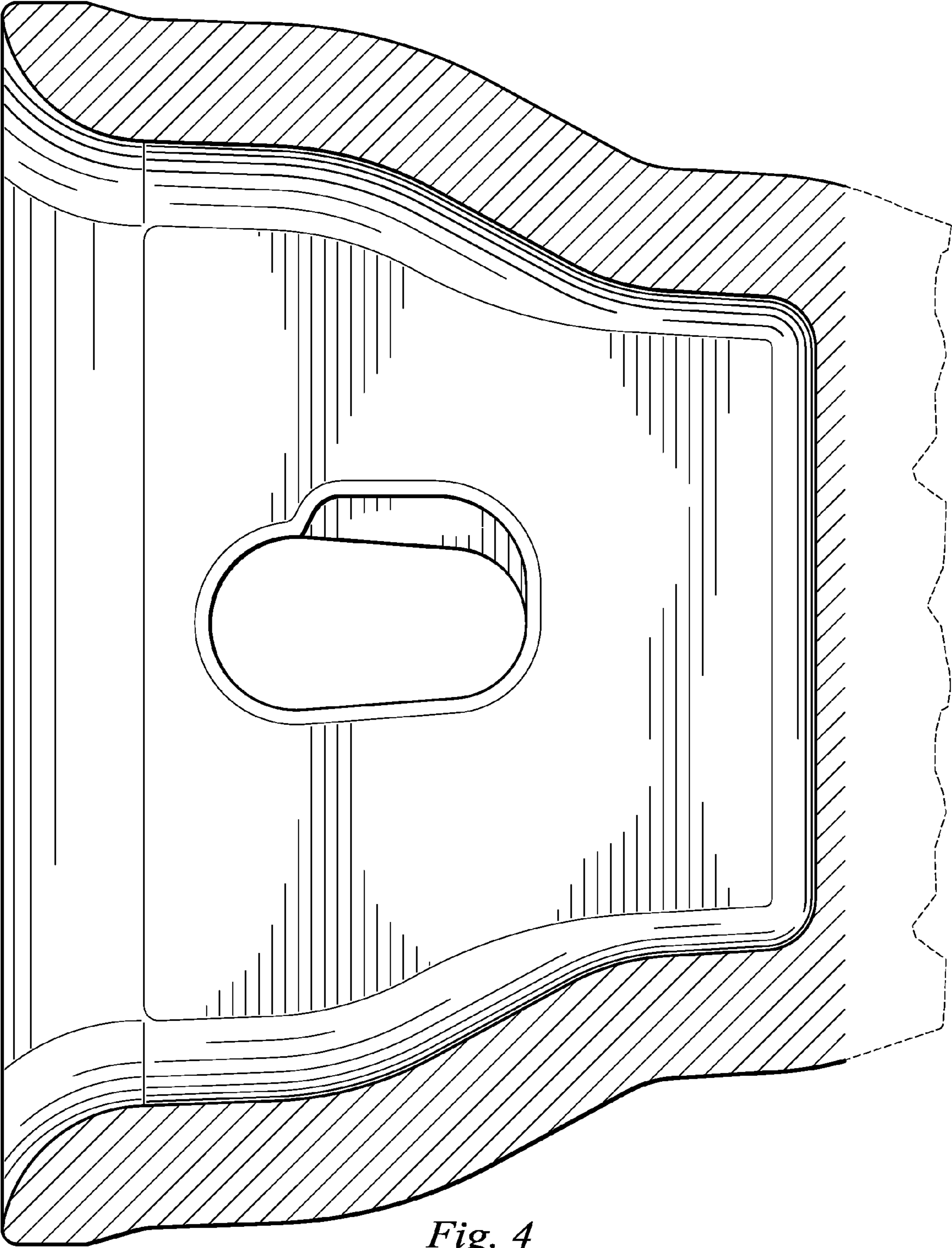


Fig. 1





*Fig. 3*



*Fig. 4*

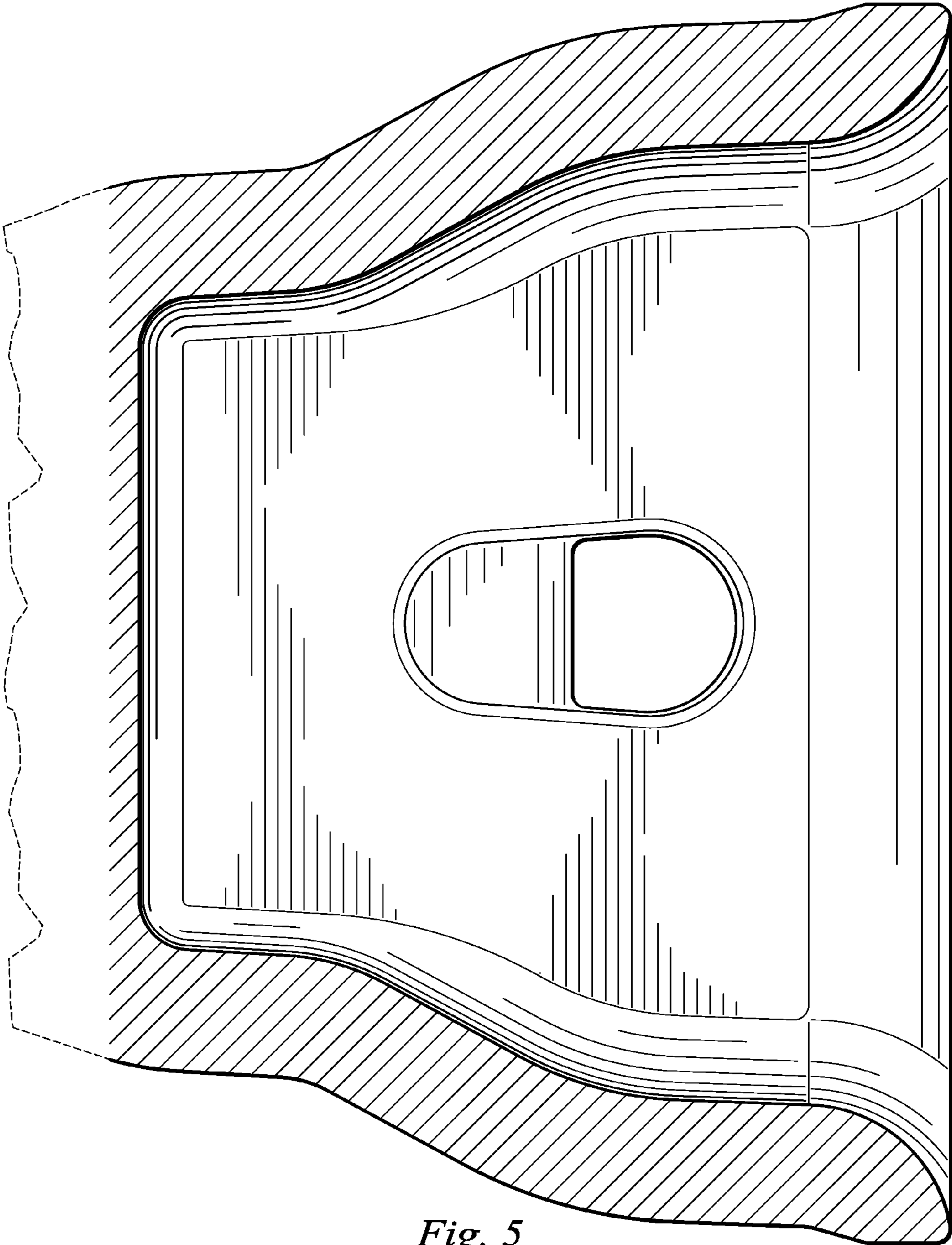


Fig. 5

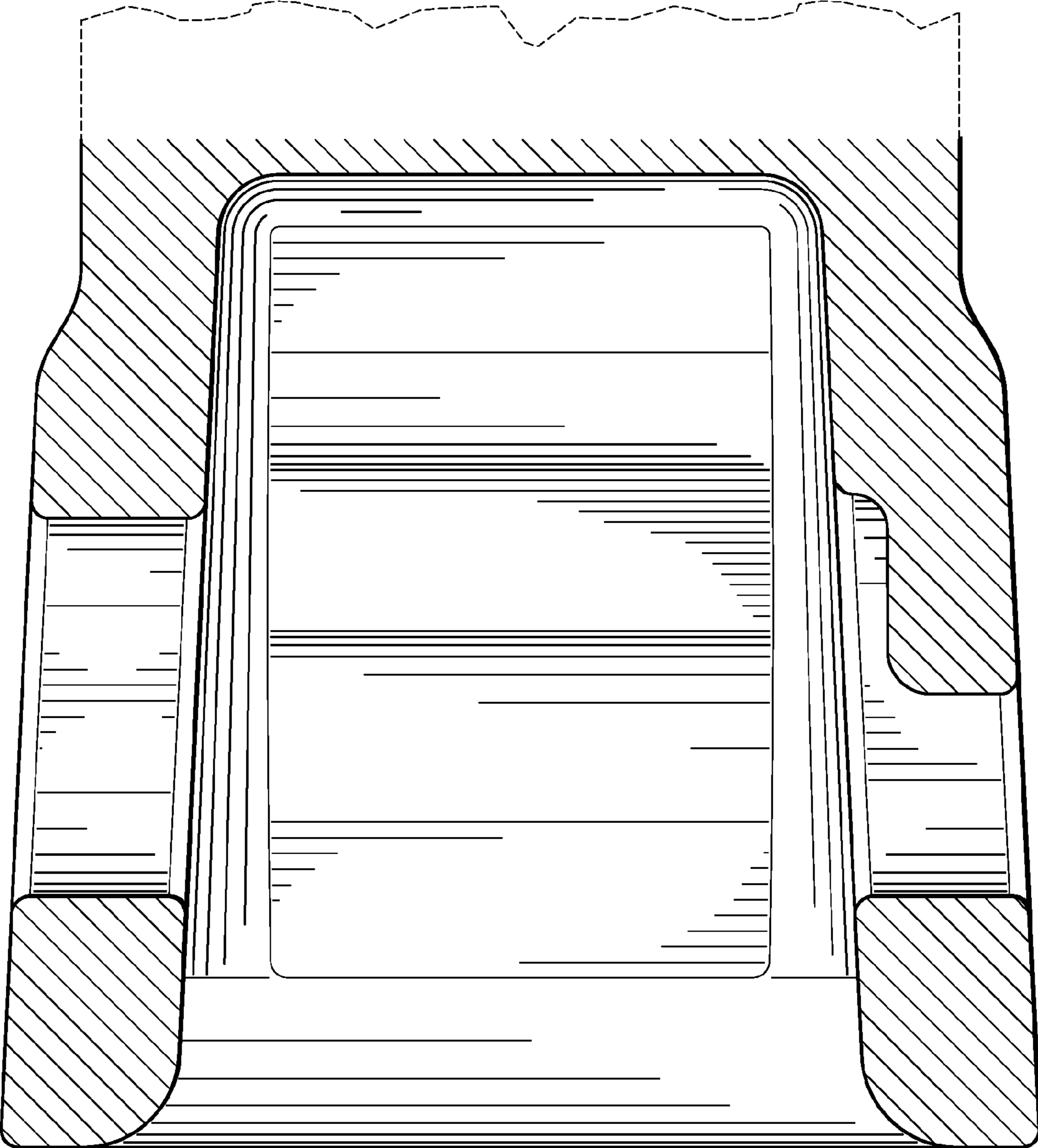
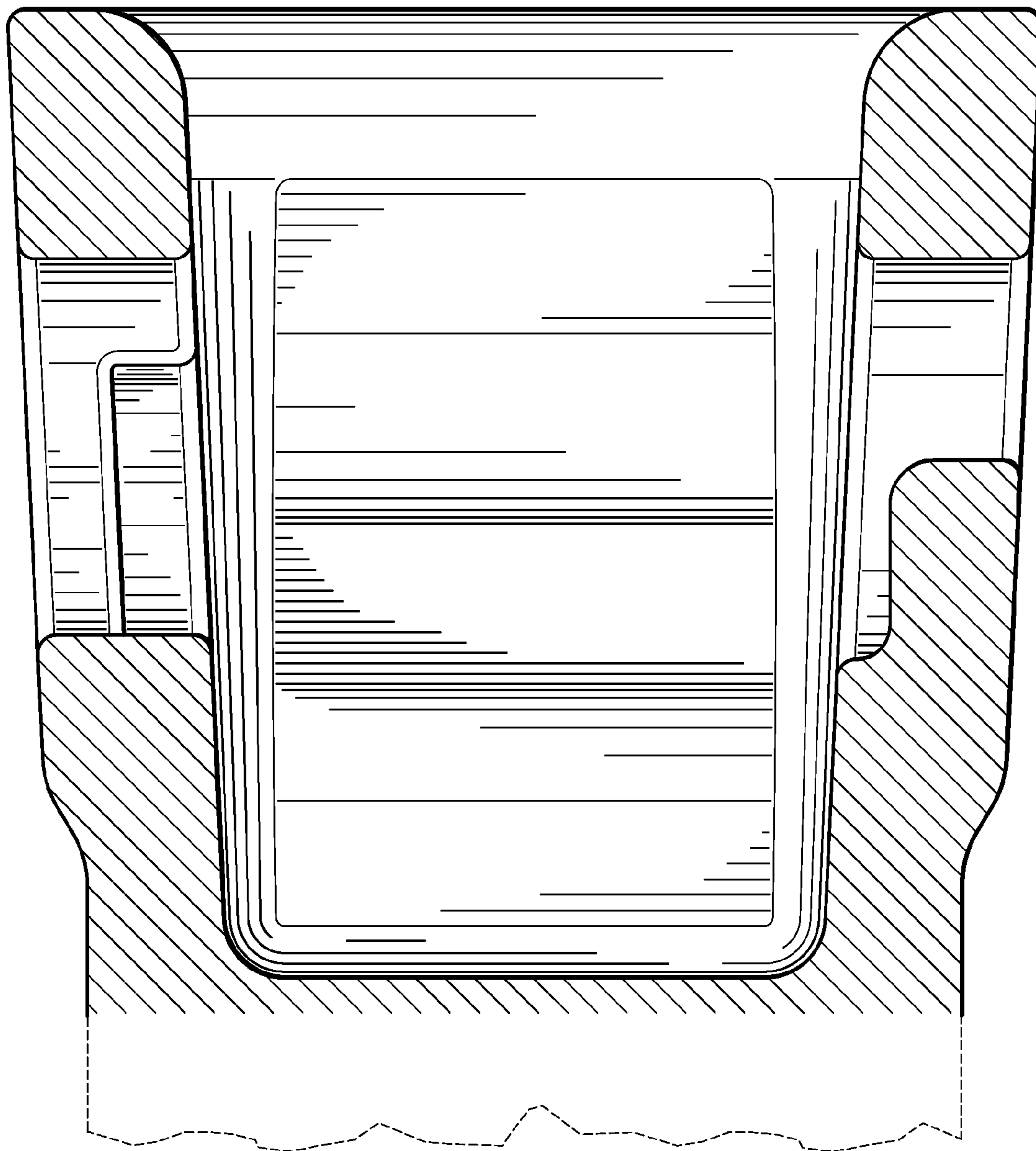


Fig. 6





*Fig. 7*

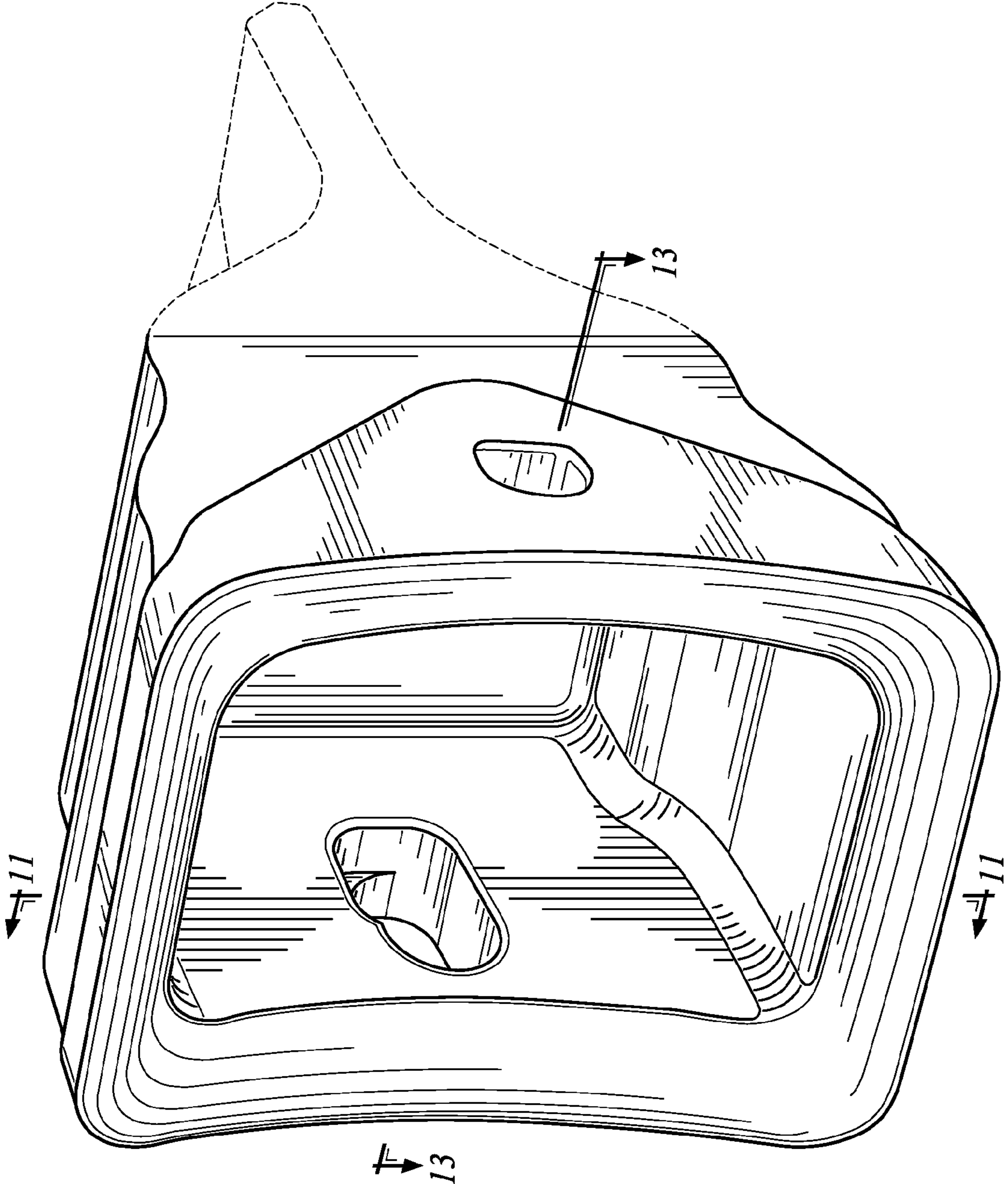


Fig. 8

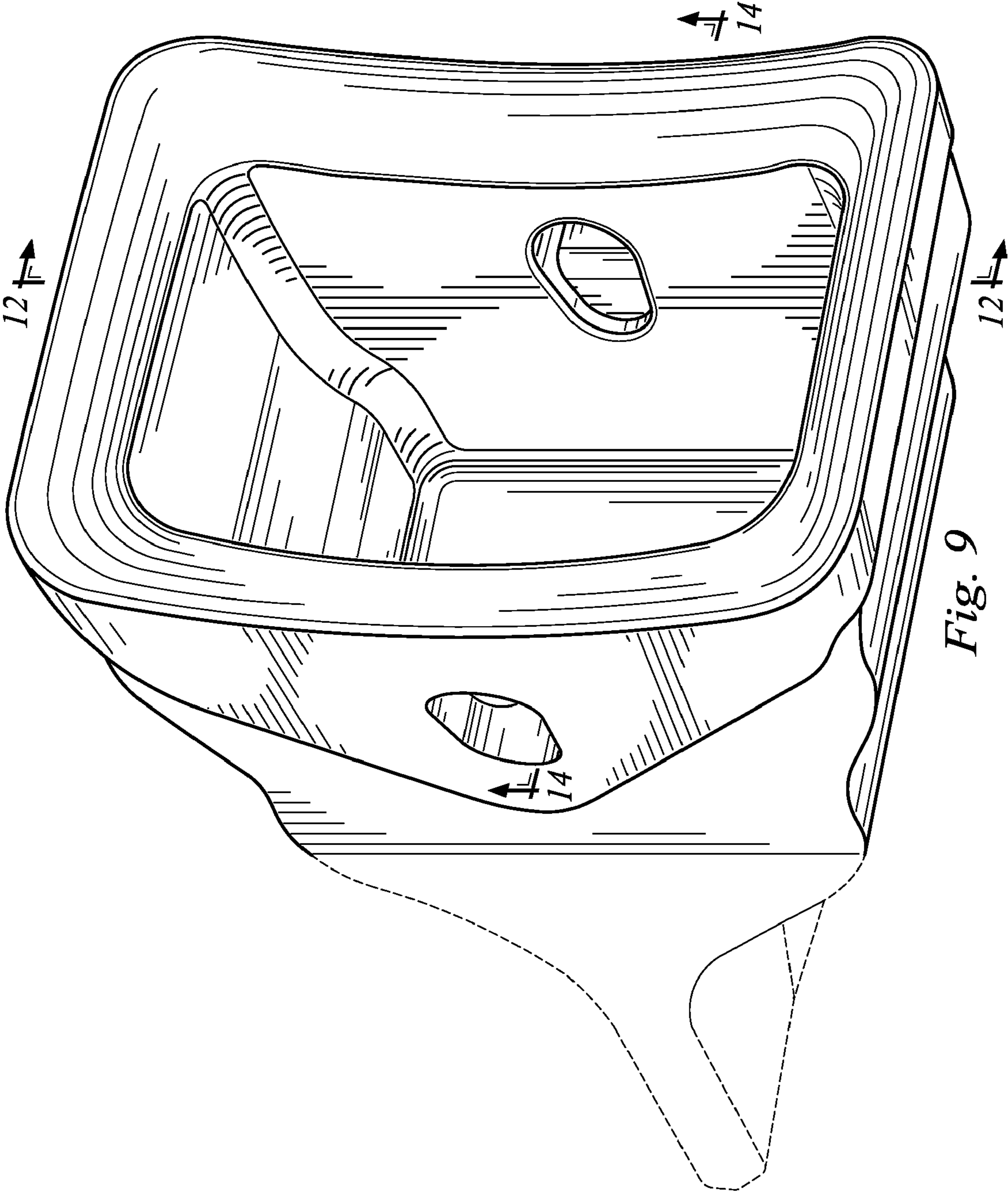
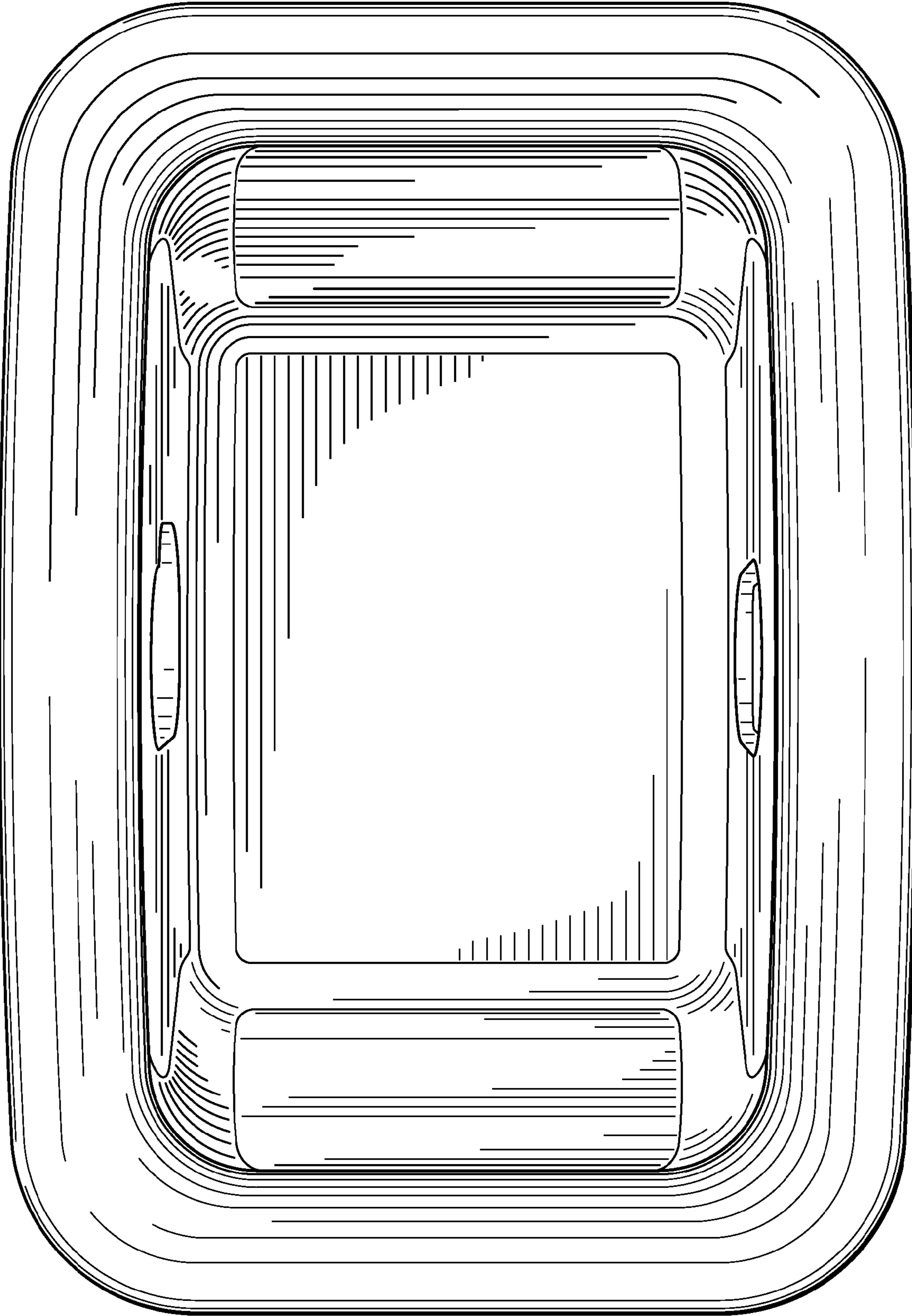
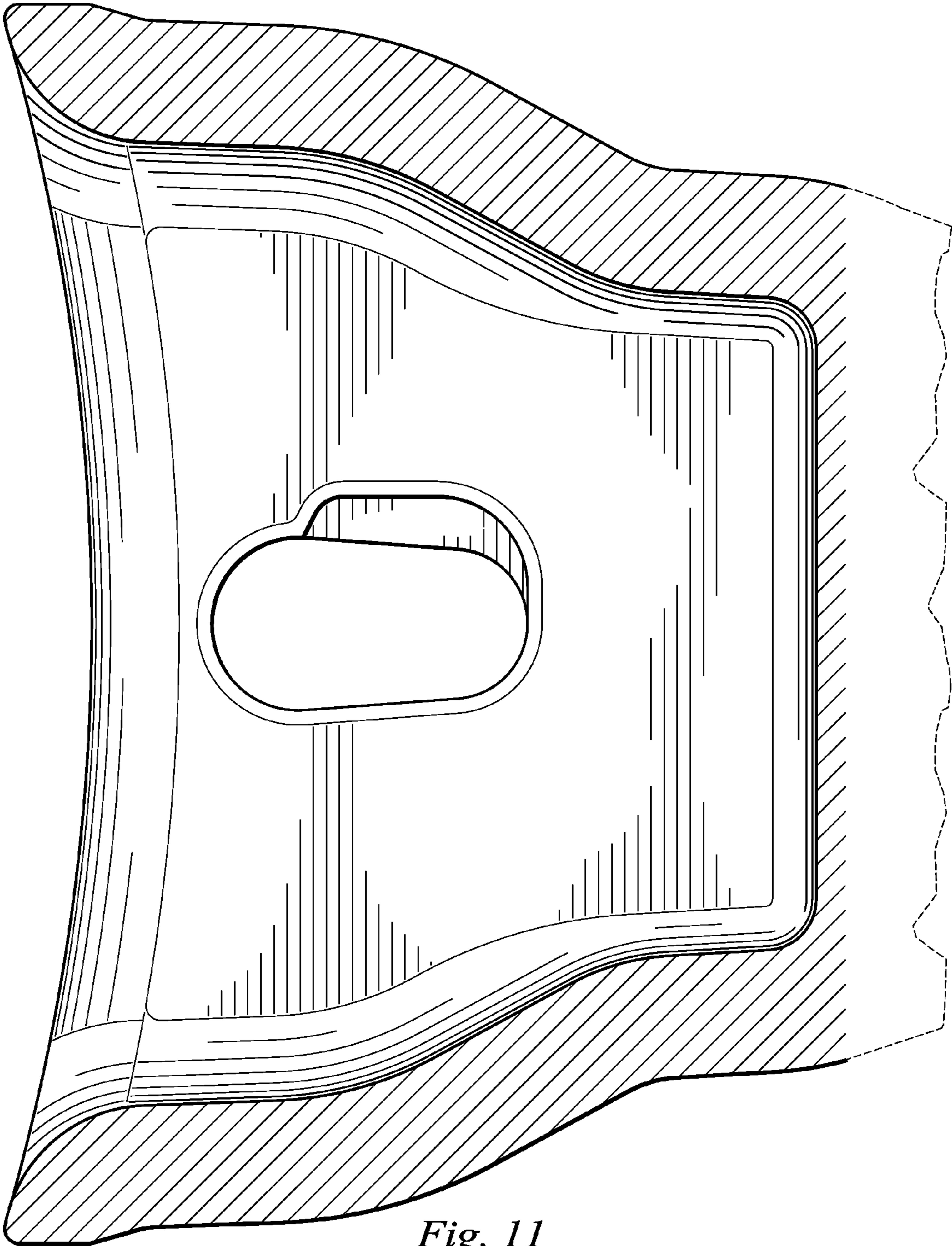


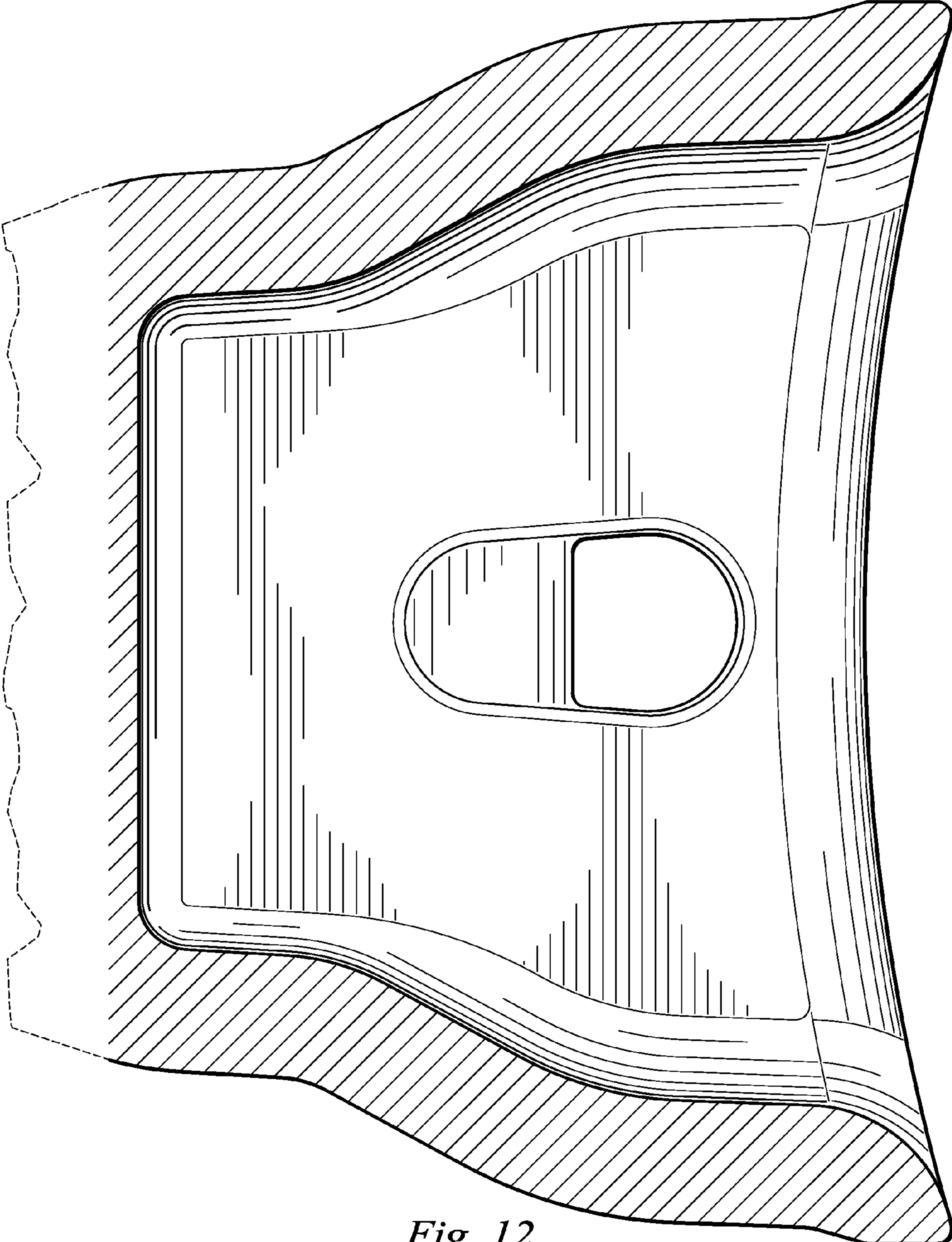
Fig. 9



*Fig. 10*



*Fig. 11*



*Fig. 12*

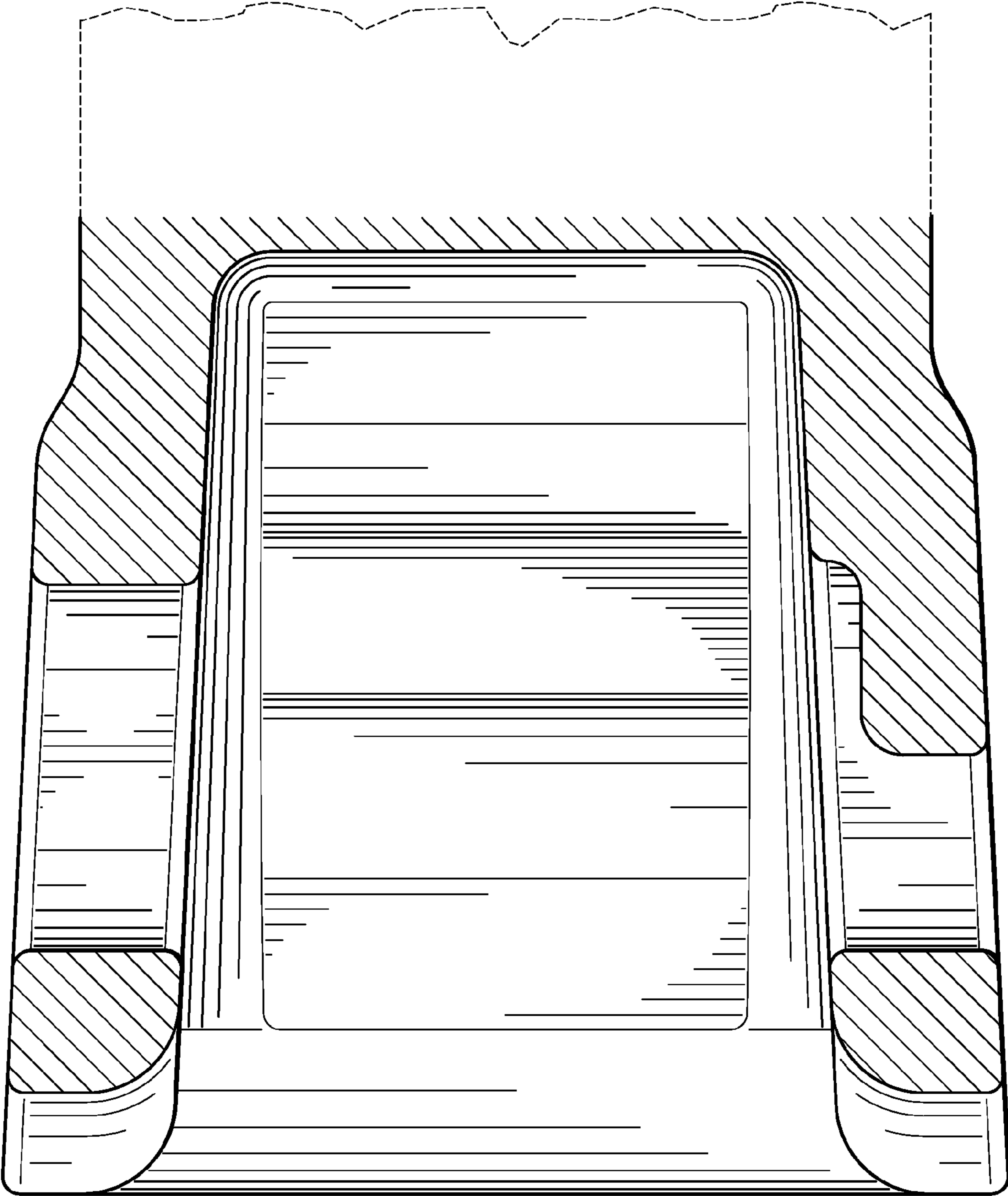


Fig. 13

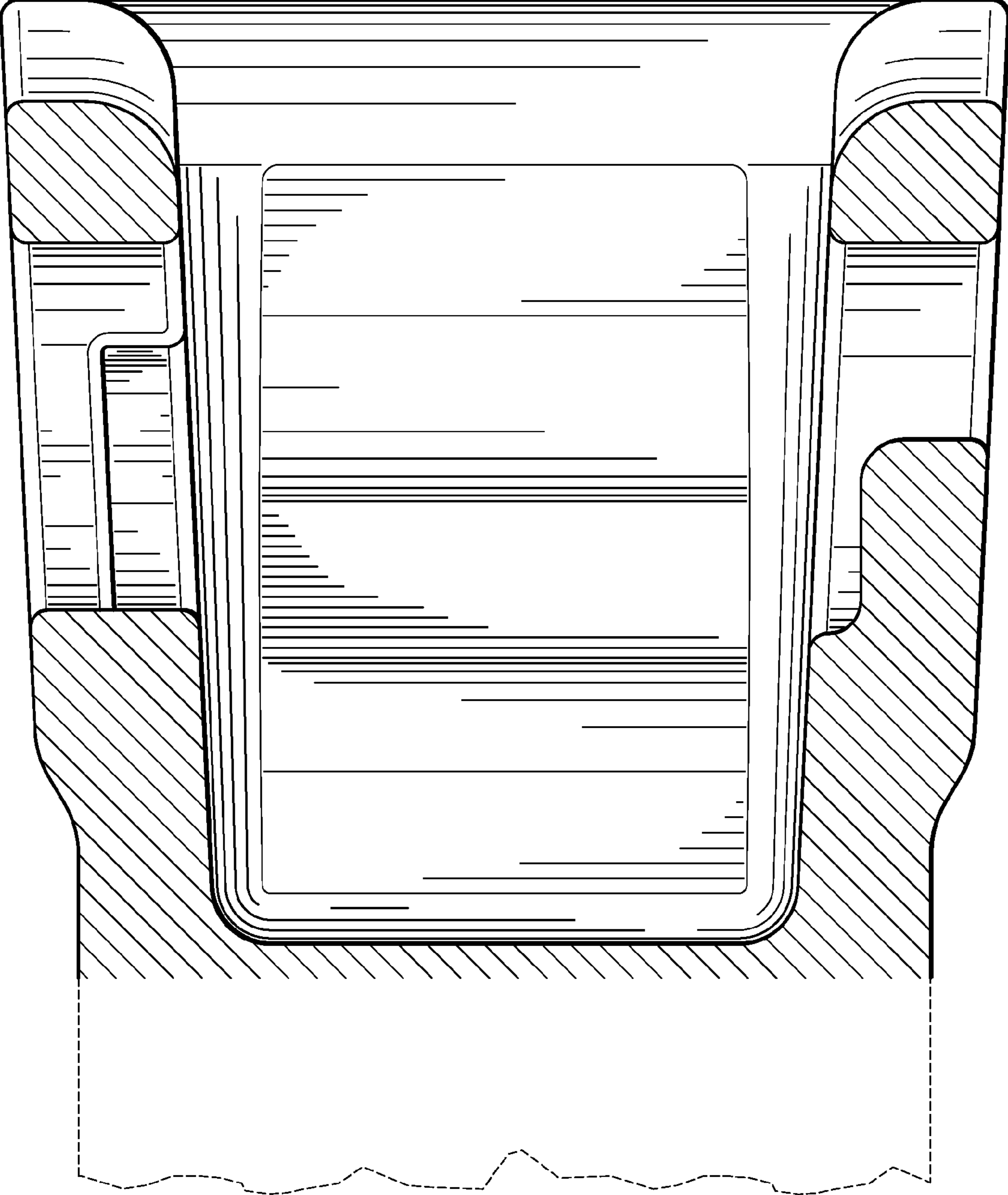


Fig. 14



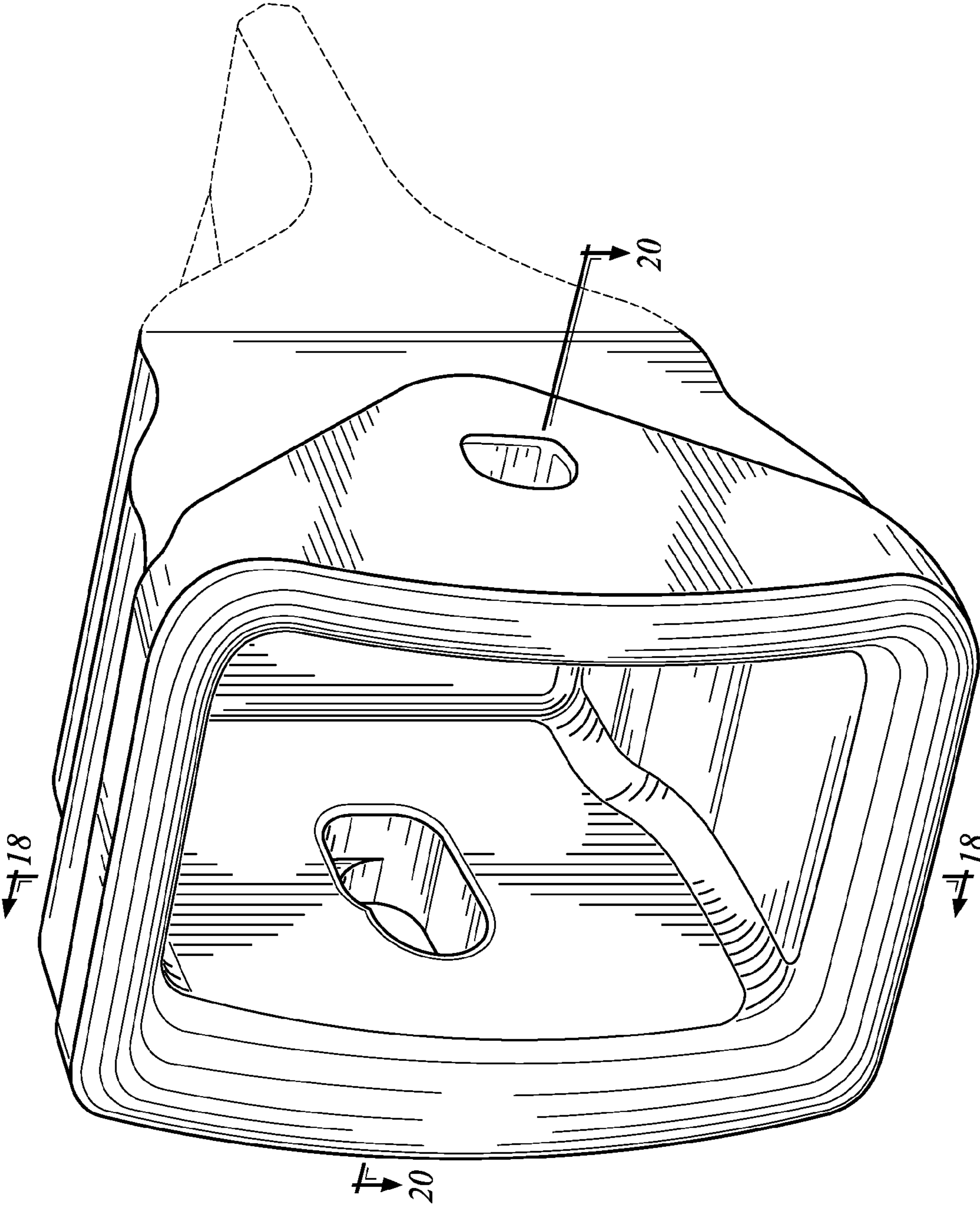


Fig. 15

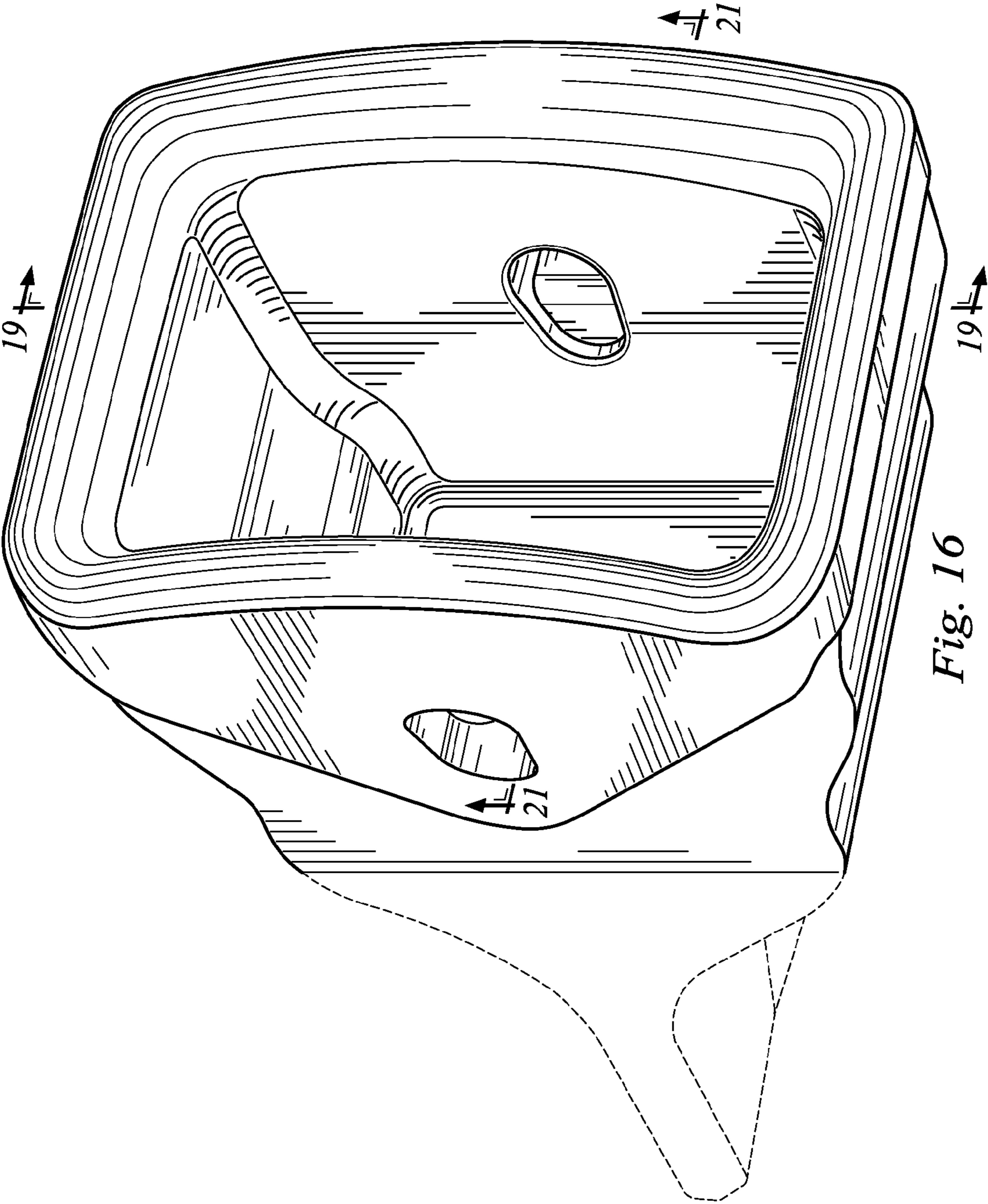
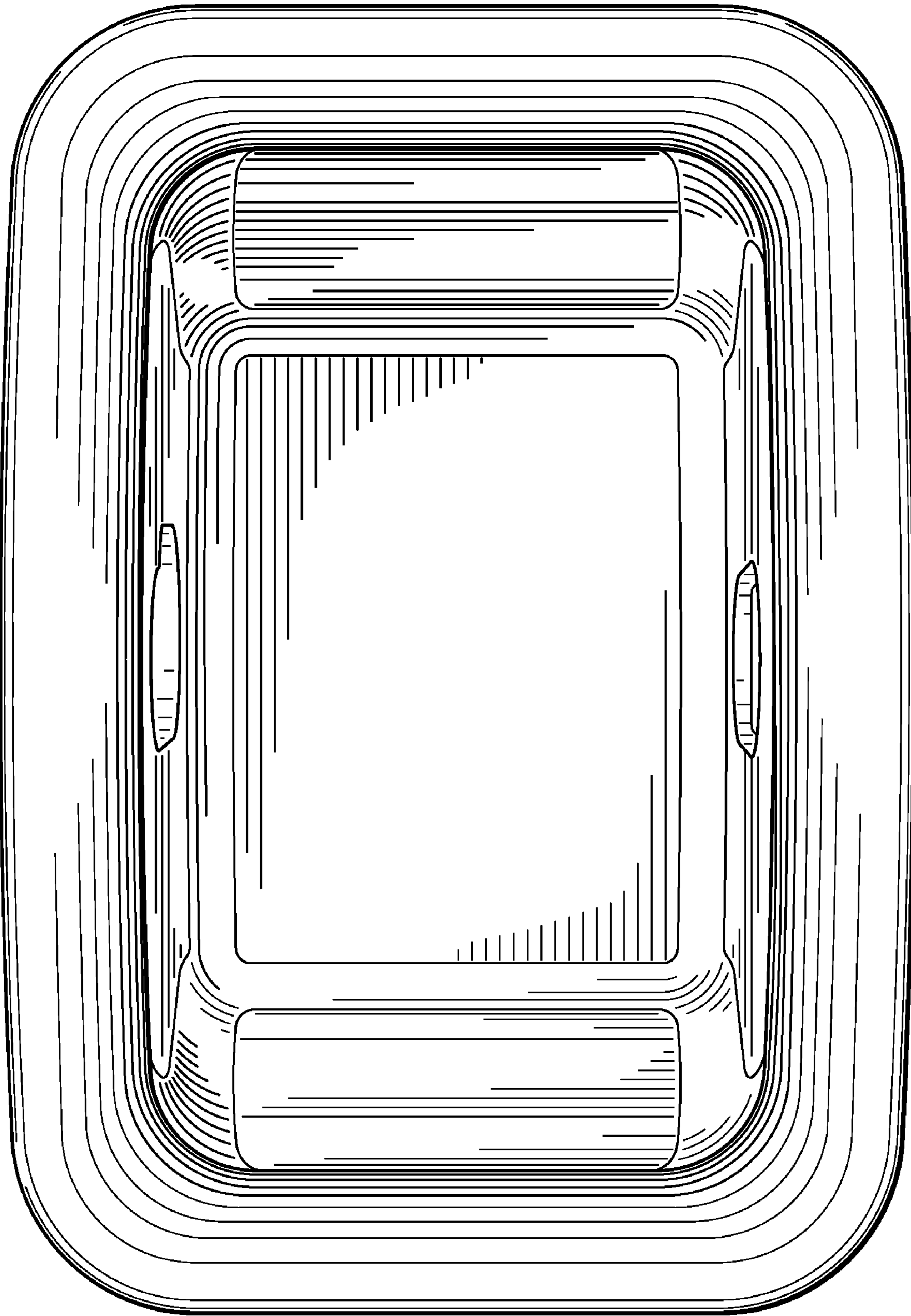
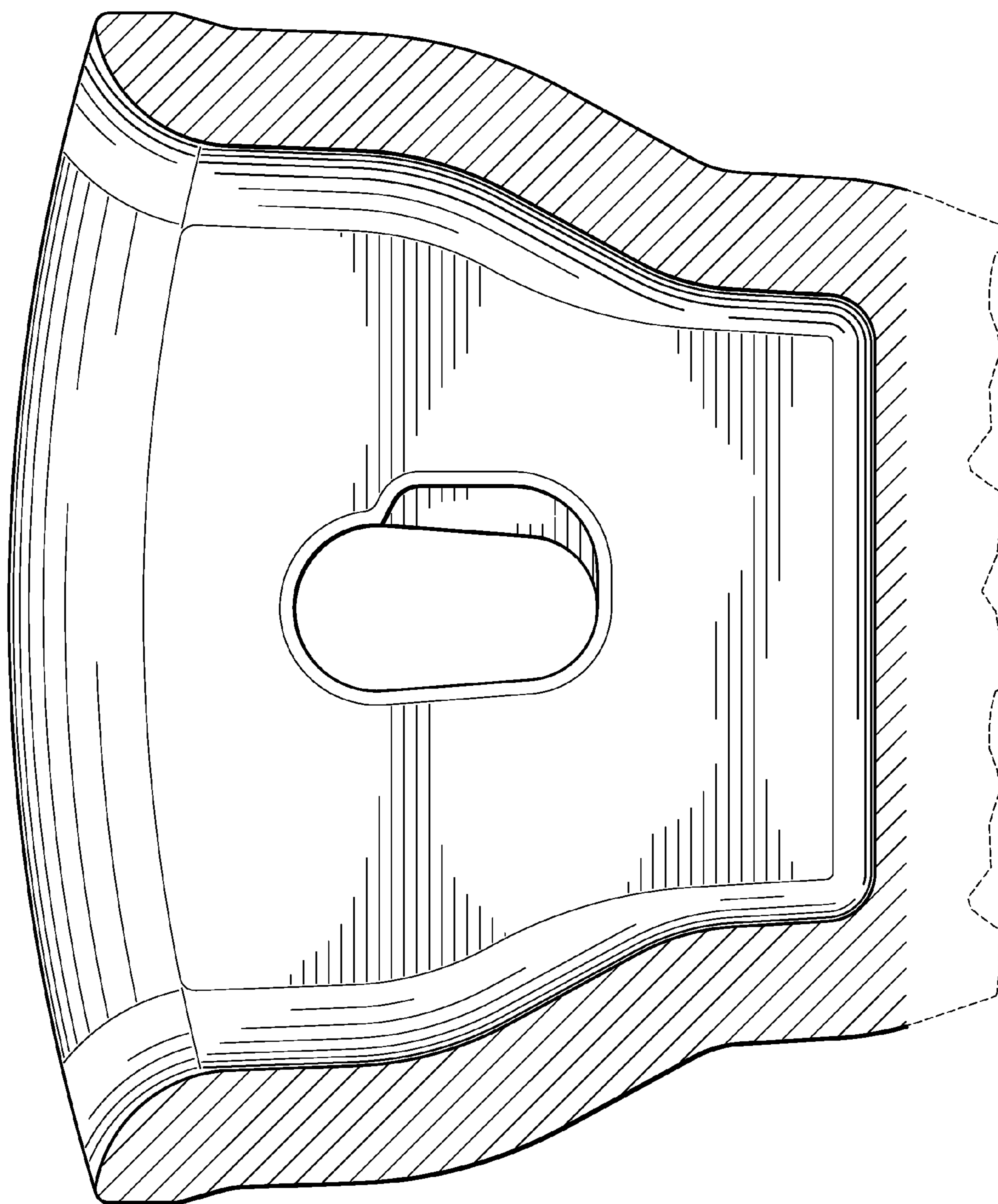


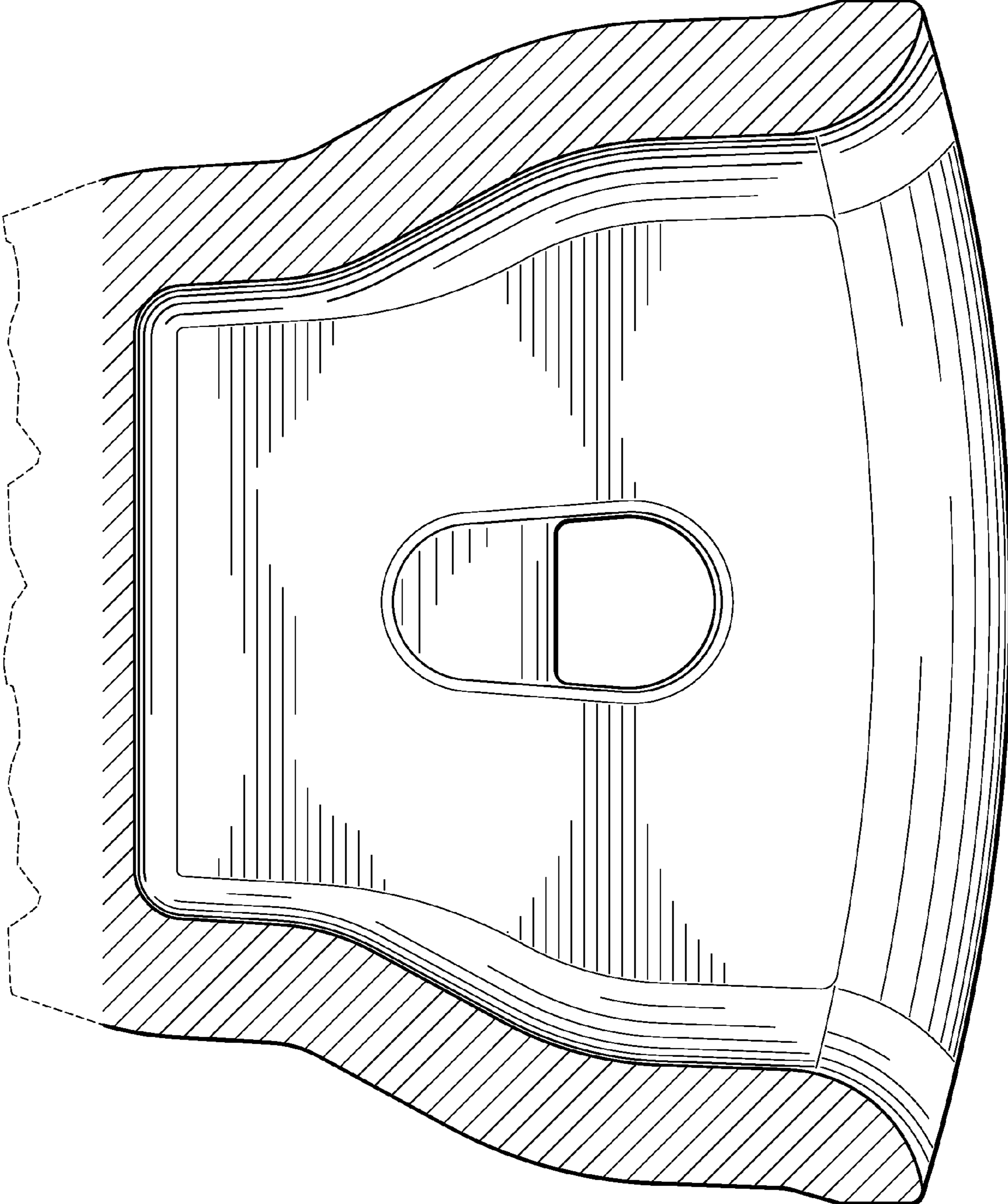
Fig. 16



*Fig. 17*



*Fig. 18*



*Fig. 19*

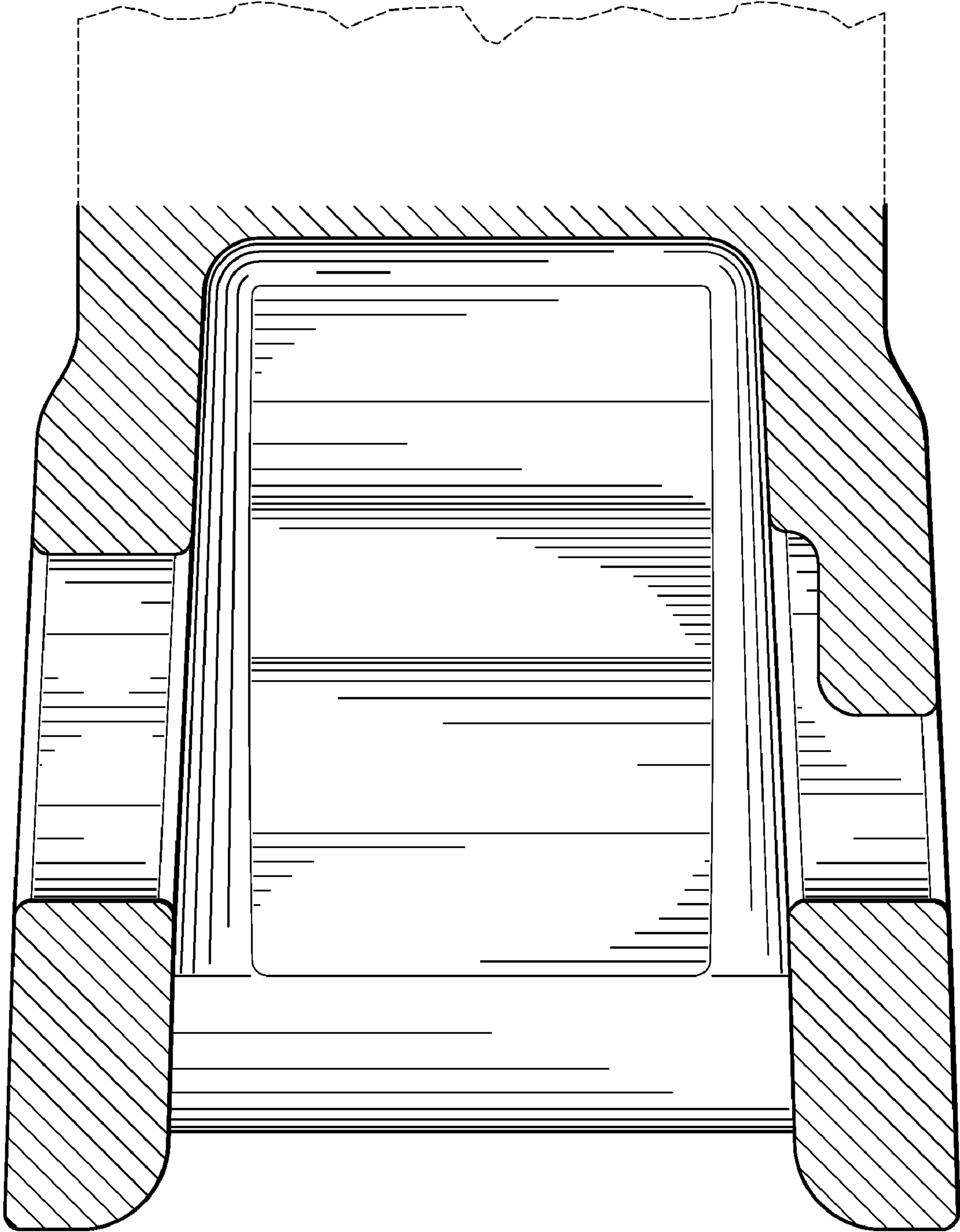


Fig. 20

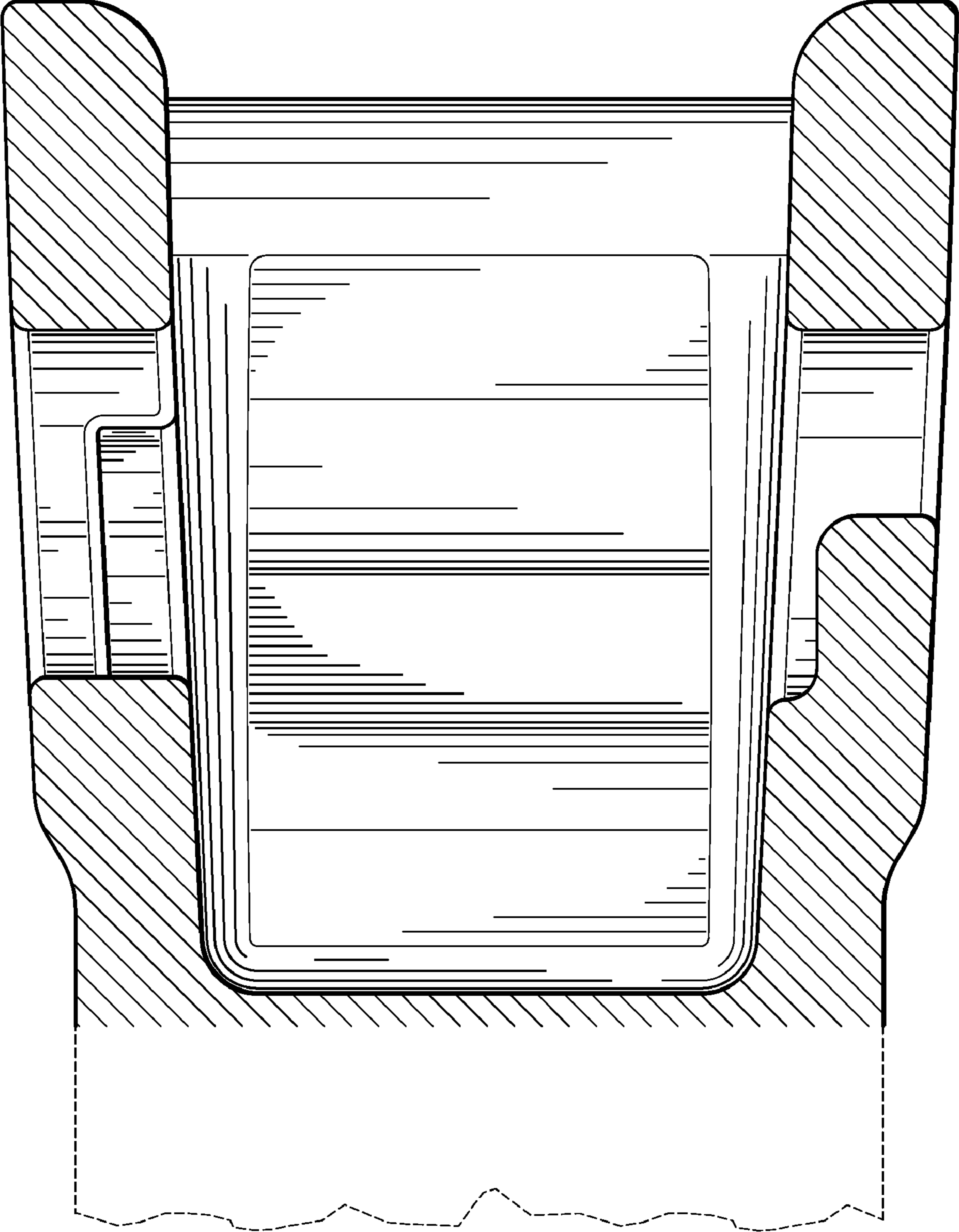


Fig. 21