



US00D614205S

(12) **United States Design Patent**
Kuwae et al.

(10) **Patent No.:** **US D614,205 S**

(45) **Date of Patent:** **** Apr. 20, 2010**

(54) **BACKHOE**

(75) Inventors: **Junta Kuwae**, Sakai (JP); **Takashi Shimomura**, Takatsuki (JP)

(73) Assignee: **Kubota Corporation**, Osaka (JP)

(**) Term: **14 Years**

(21) Appl. No.: **29/342,516**

(22) Filed: **Aug. 26, 2009**

(51) **LOC (9) Cl.** **12-09**

(52) **U.S. Cl.** **D15/25**

(58) **Field of Classification Search** D15/10,
D15/22-26; 37/411, 379, 443, 347; 180/89.1,
180/89.12, 89.13, 900, 9.1, 9.2, 9.62, 14 R,
180/326; 414/694, 699, 722-724, 698, 719,
414/743, 685-688

See application file for complete search history.

(56) **References Cited**

U.S. PATENT DOCUMENTS

- D458,941 S * 6/2002 Miyanishi et al. D15/25
- D460,462 S * 7/2002 Miyanishi et al. D15/25
- D463,455 S * 9/2002 Yanagida et al. D15/25
- 6,502,896 B1 * 1/2003 Nakata et al. 296/190.05
- D474,481 S * 5/2003 Hara D15/25
- D518,071 S * 3/2006 Gwak et al. D15/25
- D538,304 S * 3/2007 Uemura D15/25
- D555,675 S * 11/2007 Matsubara et al. D15/25
- 7,503,419 B2 * 3/2009 Miyake 180/327
- D590,847 S * 4/2009 Yonekura et al. D15/25

2006/0108171 A1* 5/2006 Koga et al. 180/327

* cited by examiner

Primary Examiner—Ian Simmons

Assistant Examiner—Mark A Goodwin

(74) *Attorney, Agent, or Firm*—The Webb Law Firm

(57) **CLAIM**

The ornamental design for a backhoe, as shown and described.

DESCRIPTION

FIG. 1 is a right side view of a backhoe showing our new design;

FIG. 2 is a left side view thereof;

FIG. 3 is a front side view thereof;

FIG. 4 is a rear side view thereof;

FIG. 5 is a top plan view thereof;

FIG. 6 is a right front perspective view thereof;

FIG. 7 is a left rear perspective view thereof;

FIG. 8 is an enlarged portion of the right side view shown in FIG. 2;

FIG. 9 is an enlarged portion of the rear side view shown in FIG. 4; and,

FIG. 10 is an enlarged portion of the left rear perspective view shown in FIG. 7.

A bottom view is omitted because it is plain and unornamental and forms no part of the subject matter of the claimed design.

1 Claim, 10 Drawing Sheets



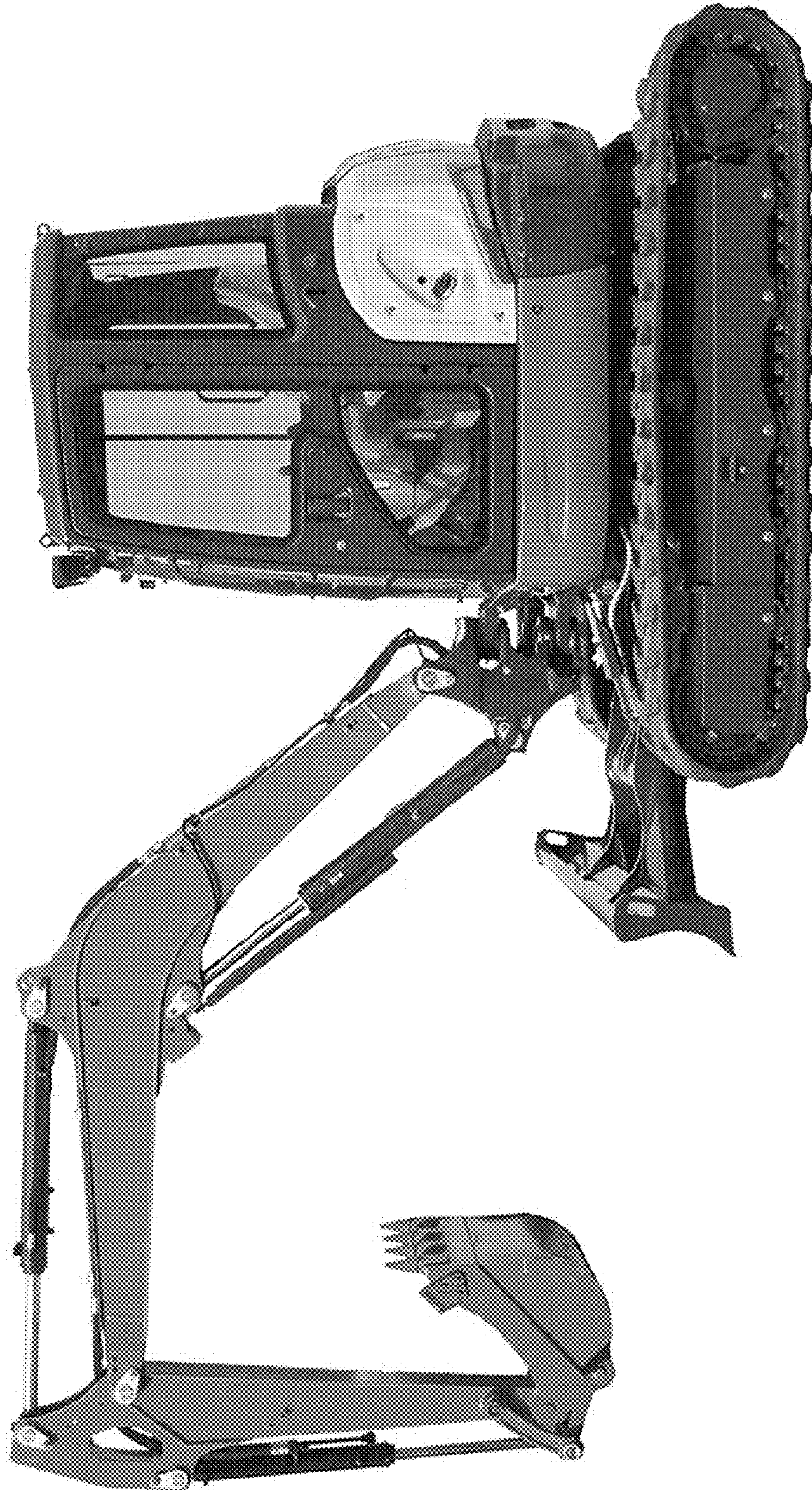


FIG. 1

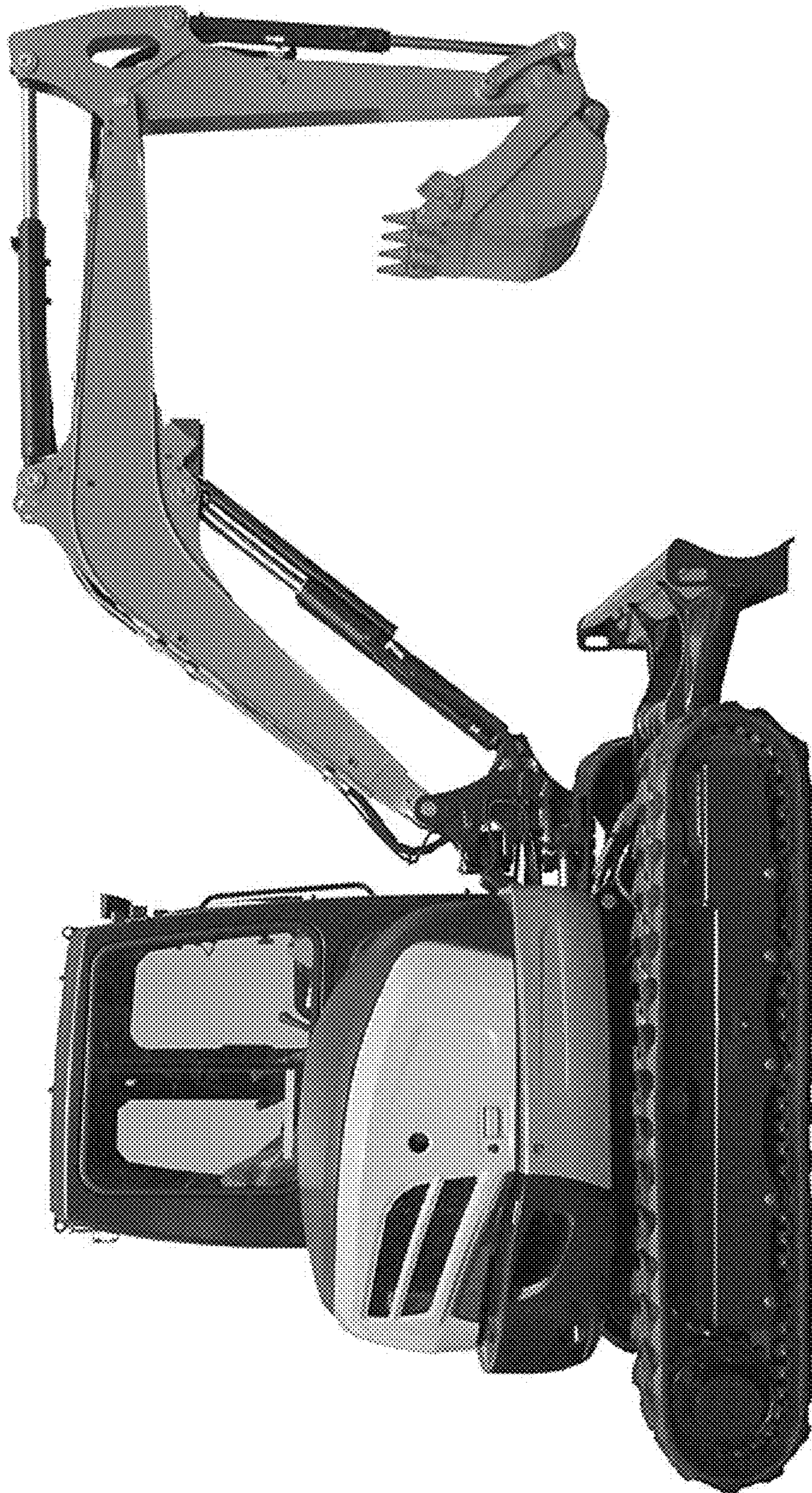


FIG. 2

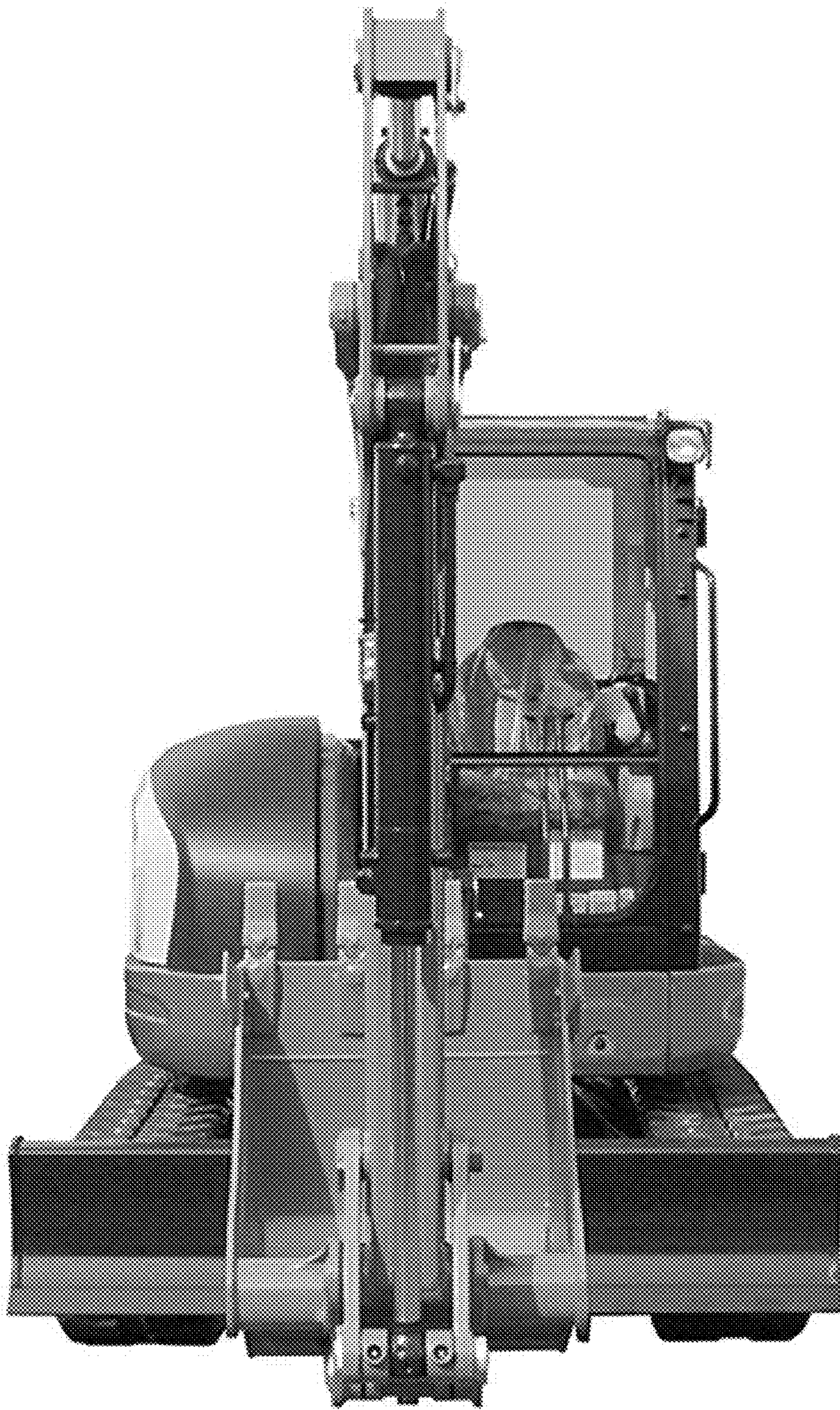


FIG. 3



FIG. 4

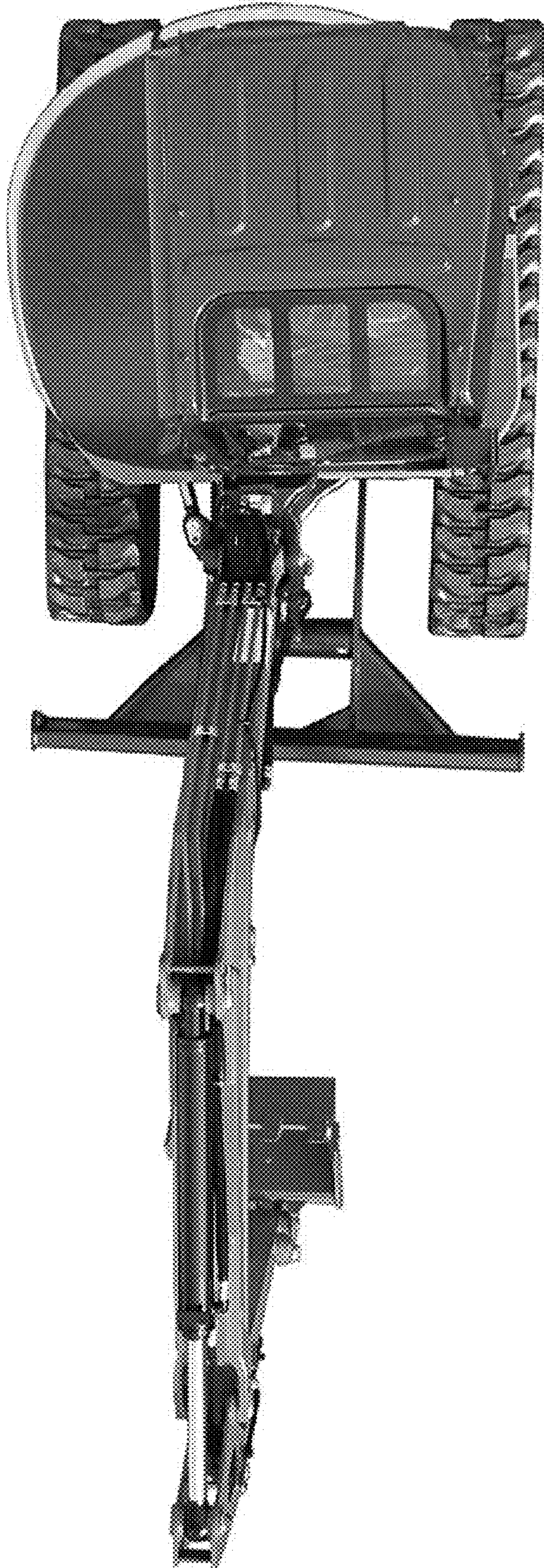


FIG. 5

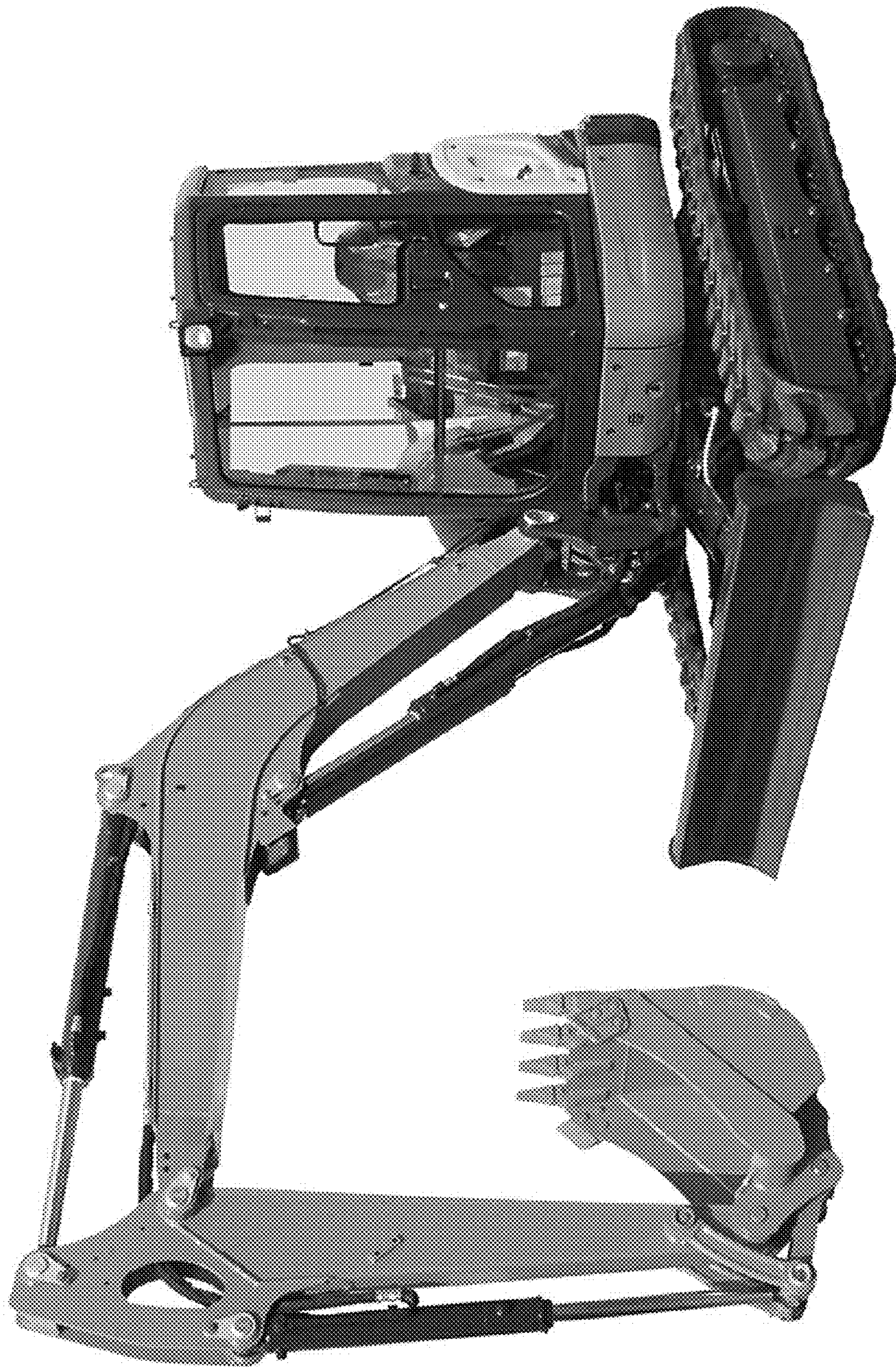


FIG. 6



FIG. 7



FIG. 8

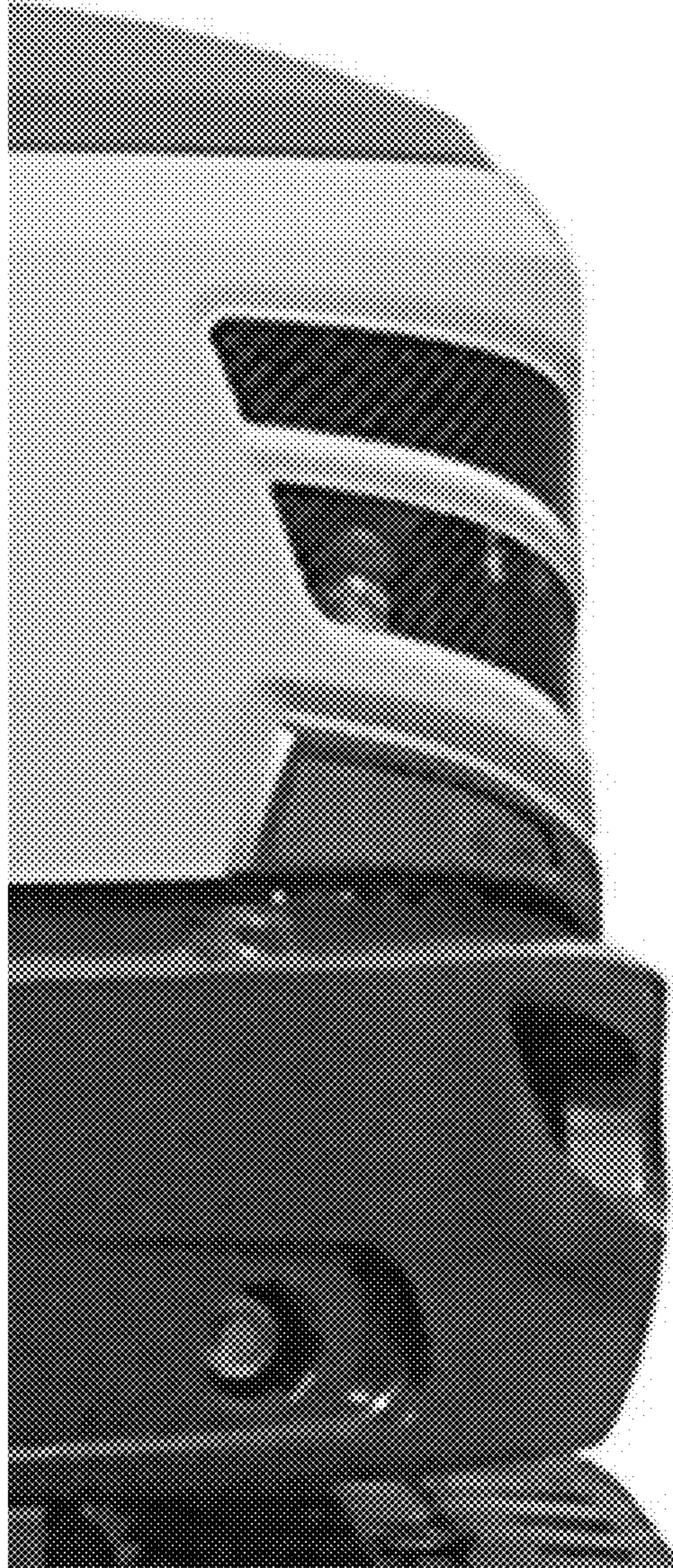


FIG. 9



FIG. 10

UNITED STATES PATENT AND TRADEMARK OFFICE
CERTIFICATE OF CORRECTION

PATENT NO. : Des. 614,205 S
APPLICATION NO. : 29/342516
DATED : April 20, 2010
INVENTOR(S) : Kuwae et al.

Page 1 of 1

It is certified that error appears in the above-identified patent and that said Letters Patent is hereby corrected as shown below:

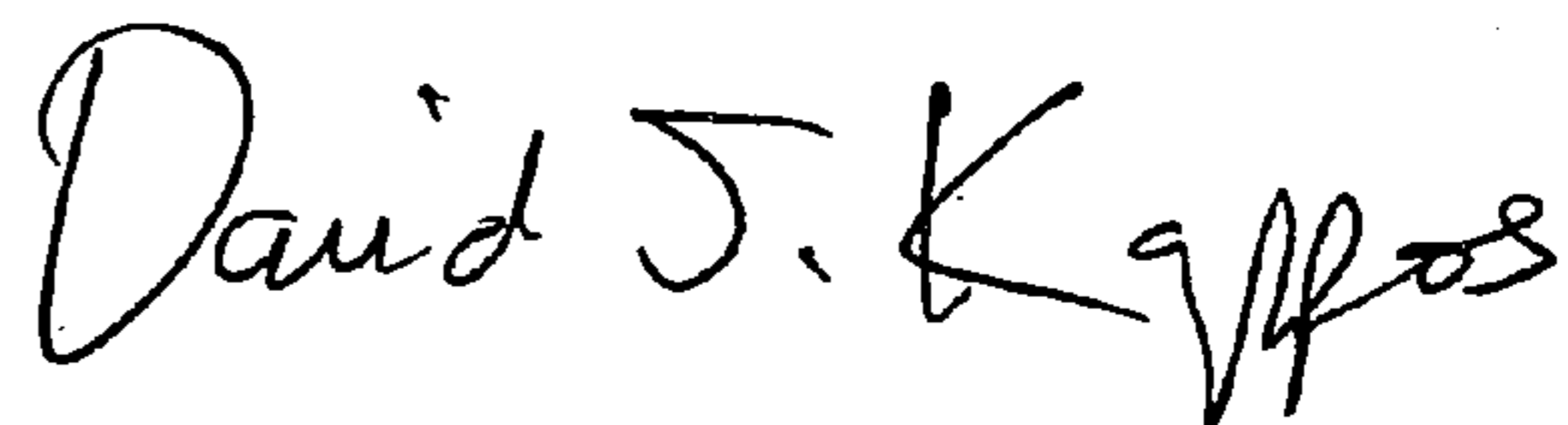
Title Page of the Patent, insert the following:

-- (30) Foreign Application Priority Data

Feb. 27, 2009 (JP)D2009-004351 --

Signed and Sealed this

Twenty-fourth Day of August, 2010



David J. Kappos
Director of the United States Patent and Trademark Office