



US00D614204S

(12) **United States Design Patent**
Thompson et al.

(10) **Patent No.:** **US D614,204 S**
(45) **Date of Patent:** **** Apr. 20, 2010**

(54) **OFF-HIGHWAY MACHINE**

(75) Inventors: **Kent Thompson**, Otley, IA (US); **Karl Maasdam**, Pella, IA (US)

(73) Assignee: **Vermeer Manufacturing Company**, Pella, IA (US)

(**) Term: **14 Years**

(21) Appl. No.: **29/332,023**

(22) Filed: **Feb. 6, 2009**

(51) **LOC (9) Cl.** **12-09**

(52) **U.S. Cl.** **D15/25; D15/24**

(58) **Field of Classification Search** D15/10,
D15/22-26; 56/16.7, 202, 255-257; 180/9.48,
180/9.46, 906, 89.1, 89.12, 900; 305/129;
280/89

See application file for complete search history.

(56) **References Cited**

U.S. PATENT DOCUMENTS

- 2,421,904 A 6/1947 Penote
- 2,618,349 A 11/1952 Ludema
- 3,099,098 A 7/1963 Davis
- 3,741,331 A 6/1973 Kowalik
- 4,448,273 A 5/1984 Barbieri
- 5,018,591 A 5/1991 Price
- 5,033,214 A 7/1991 Kaczmarek et al.
- D327,692 S 7/1992 Kaczmarek et al.
- 5,203,101 A 4/1993 Bryan
- 5,237,888 A 8/1993 McCombs
- D364,879 S 12/1995 Bastian et al.
- 5,509,220 A 4/1996 Cooper
- 5,566,773 A 10/1996 Gersmann
- D375,506 S 11/1996 Bastian et al.
- 5,607,210 A 3/1997 Brazier
- D378,755 S 4/1997 Kato et al.
- 5,709,394 A 1/1998 Martin et al.
- D406,151 S * 2/1999 Cunningham et al. D15/25
- D422,606 S * 4/2000 Katoh et al. D15/23
- 6,116,362 A 9/2000 Schubert et al.
- 6,176,334 B1 1/2001 Lorenzen

- D438,546 S * 3/2001 Katoh et al. D15/23
- D483,043 S 12/2003 Akashima et al.
- D489,381 S 5/2004 Mistry et al.
- D497,621 S 10/2004 Inaoka et al.
- D499,748 S 12/2004 Komatsu et al.
- 6,840,338 B2 1/2005 Bowers et al.
- D501,487 S 2/2005 Katoh et al.
- 6,889,782 B2 5/2005 Komatsu et al.

(Continued)

FOREIGN PATENT DOCUMENTS

WO WO 2008/073456 6/2008

OTHER PUBLICATIONS

Photographs of a Trencher (circa: 2000).

(Continued)

Primary Examiner—Stella M Reid

Assistant Examiner—Mark A Goodwin

(74) *Attorney, Agent, or Firm*—Merchant & Gould P.C.

(57) **CLAIM**

The ornamental design for a off-highway machine, as shown and described.

DESCRIPTION

FIG. 1 is a perspective view of an off-highway machine showing our new design.

FIG. 2 is a right side elevational view thereof.

FIG. 3 is a left side elevational view thereof.

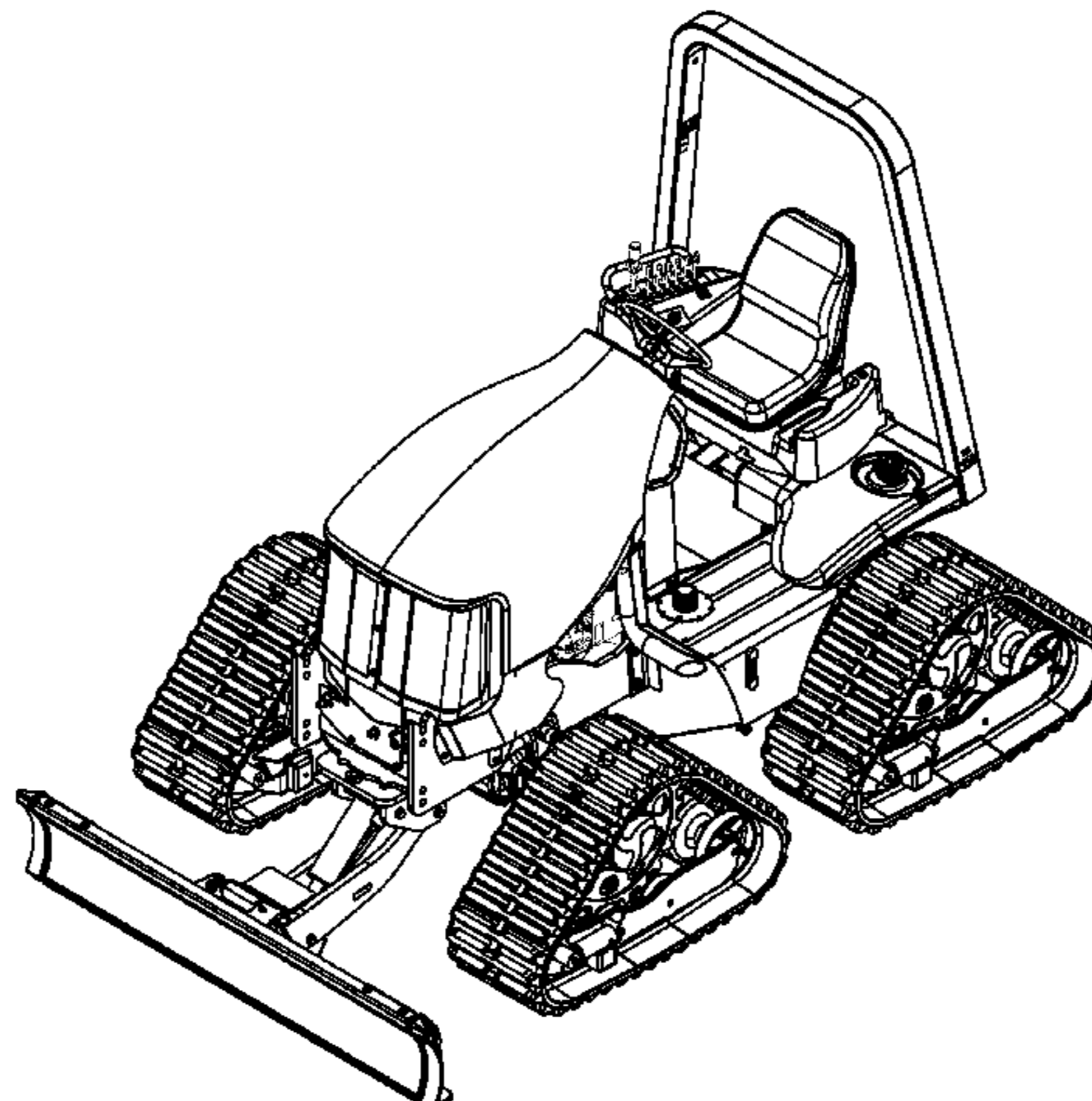
FIG. 4 is a top plan view thereof; and,

FIG. 5 is a front elevational view thereof.

The rear and bottom views form no part of the claimed design.

The broken line showing of the engine, linkage between the tracks, and control levers is included for the purpose of illustrating portions of the off-highway machine and forms no part of the claimed design.

1 Claim, 5 Drawing Sheets



US D614,204 S

Page 2

U.S. PATENT DOCUMENTS

6,904,986 B2 6/2005 Brazier
6,926,105 B2 8/2005 Brazier
D513,268 S 12/2005 Wang et al.
D514,596 S 2/2006 Radke
D523,027 S 6/2006 Yamashita et al.
D523,874 S 6/2006 Hagele
D525,992 S 8/2006 Higashikawa et al.
D526,335 S 8/2006 Kuwae et al.
D529,932 S 10/2006 Yamashita et al.
D540,829 S 4/2007 Johnson et al.
D553,159 S * 10/2007 Higashikawa et al. D15/23
D556,789 S 12/2007 Kitayama et al.
D556,791 S 12/2007 Brazier
D558,797 S * 1/2008 Yamamoto et al. D15/26

D559,277 S * 1/2008 Tsujita et al. D15/24
D559,278 S 1/2008 Tsujita et al.
D581,953 S * 12/2008 Matsumoto et al. D15/23
D587,727 S 3/2009 Vos et al.
2004/0140138 A1 7/2004 Brazier
2005/0061557 A1 3/2005 Brazier
2005/0252698 A1 11/2005 Brazier
2006/0113121 A1 6/2006 Radke et al.
2007/0068051 A1 3/2007 Mills et al.
2007/0068320 A1 3/2007 Hastings

OTHER PUBLICATIONS

RT 1250 Hydrostatic Trencher/Plow, © 2005.
RT 1160 Ride-On Trencher, © 2007.

* cited by examiner

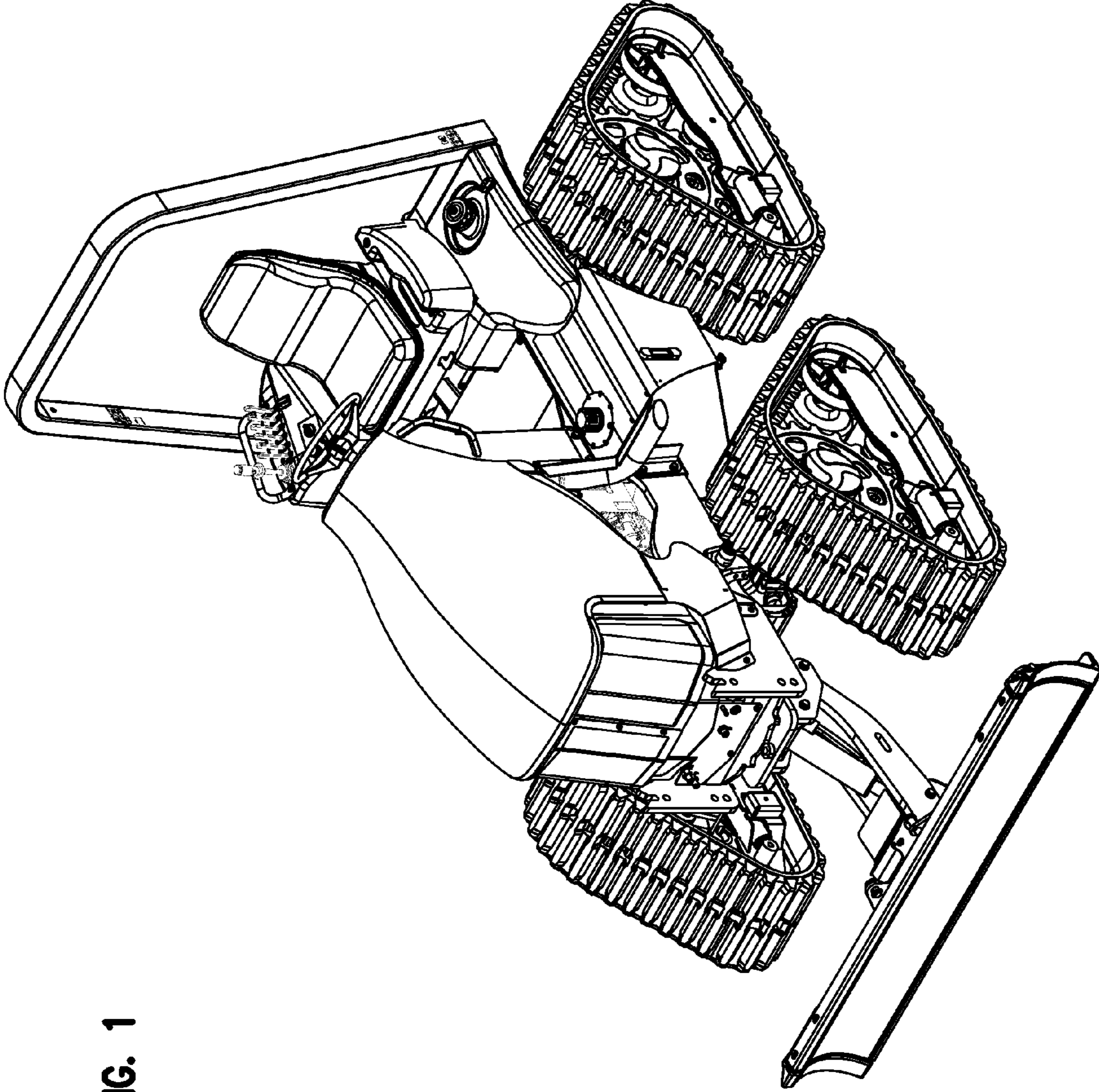


FIG. 1

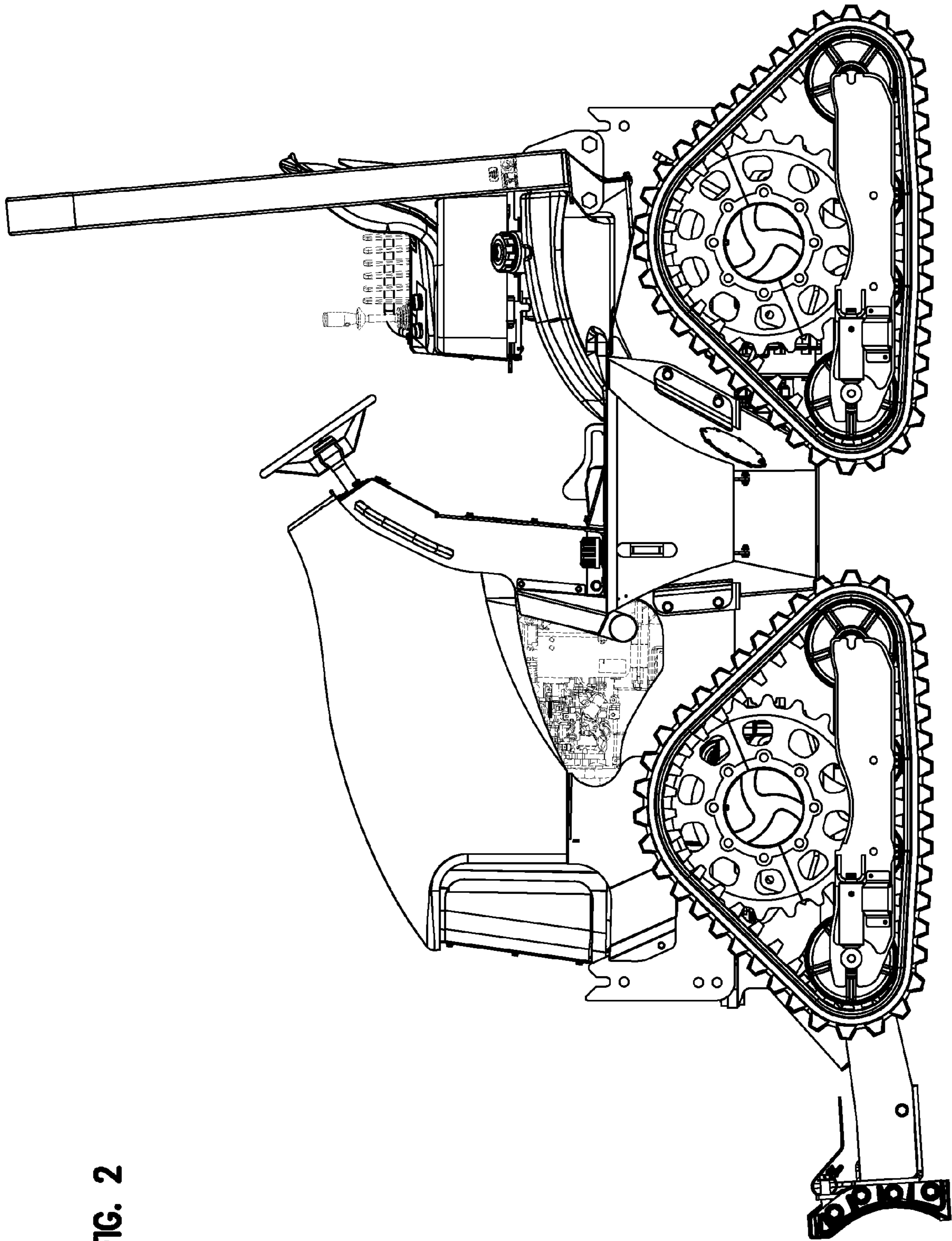


FIG. 2

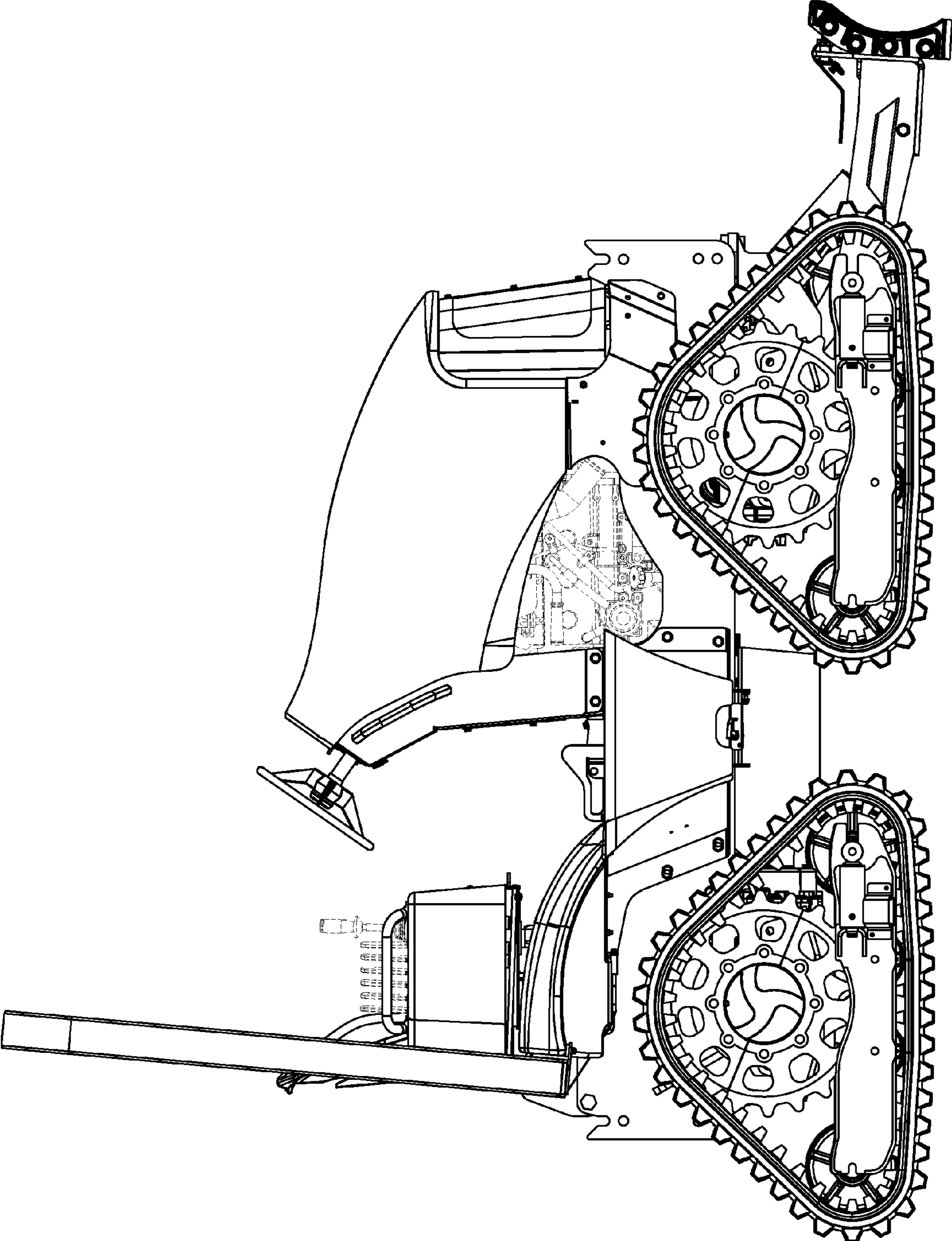


FIG. 3

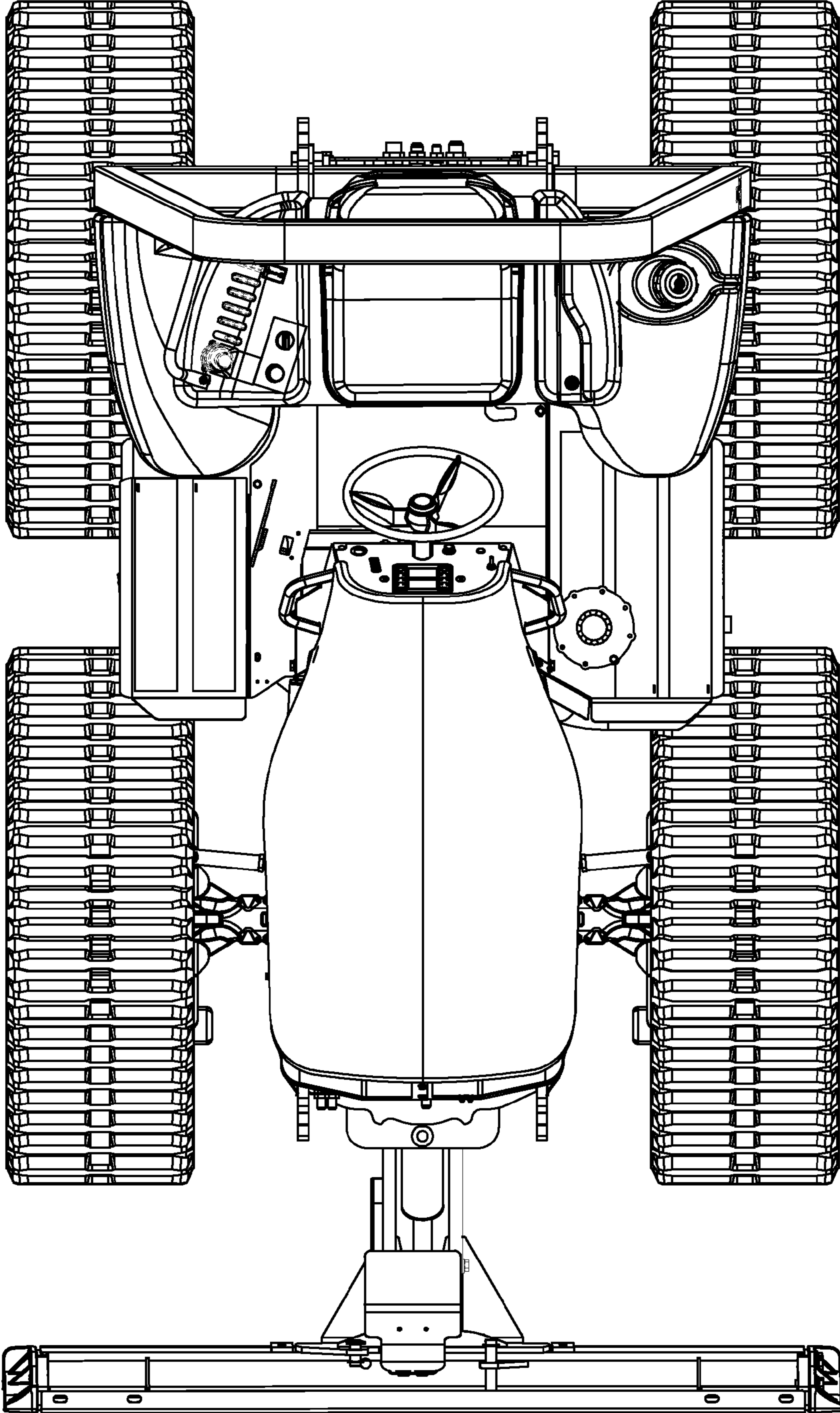


FIG. 4

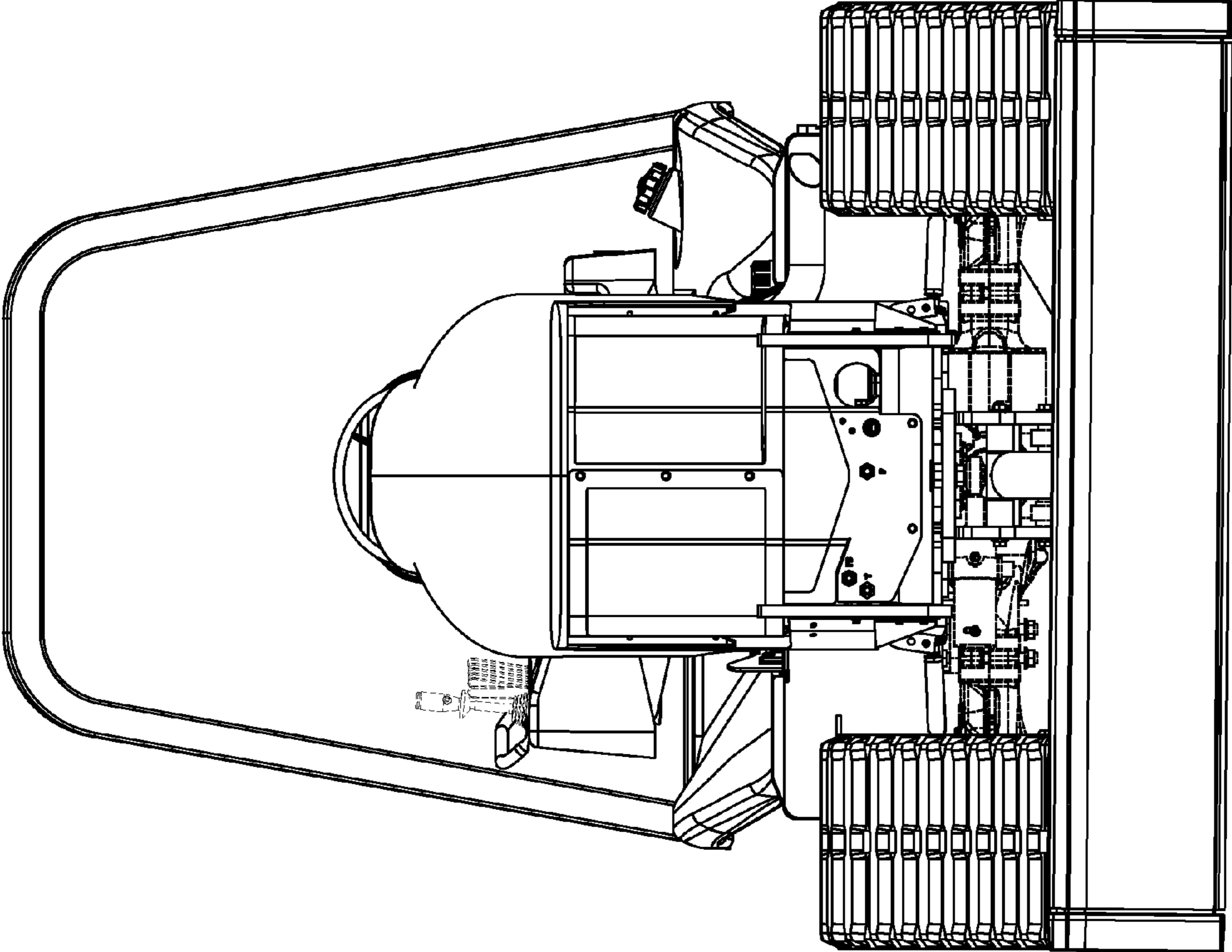


FIG. 5