



US00D614201S

(12) **United States Design Patent**
Strauser

(10) **Patent No.:** **US D614,201 S**

(45) **Date of Patent:** **** Apr. 20, 2010**

(54) **KARAOKE GUITAR AMPLIFIER**

(76) Inventor: **Jack Strauser**, 7778 Bent Grass Ct.,
Largo, FL (US) 33777

(**) Term: **14 Years**

(21) Appl. No.: **29/344,720**

(22) Filed: **Oct. 2, 2009**

(51) **LOC (9) Cl.** **14-03**

(52) **U.S. Cl.** **D14/497; D14/496**

(58) **Field of Classification Search** D14/496,
D14/497, 401, 435, 474, 483, 217, 137, 138,
D14/160, 168, 356, 203.1–203.8, 507; 345/156,
345/169, 173–179, 905; 715/727–729, 864;
710/1, 5, 8; 713/1, 600; 455/1.1, 1.7, 73,
455/344–347, 93, 95, 3.01–3.06, 550.1, 573.1;
370/342–344; 369/1, 2, 6–12; 463/43–47;
273/148 B

See application file for complete search history.

(56) **References Cited**

U.S. PATENT DOCUMENTS

5,781,853	A *	7/1998	Johnson	455/351
6,328,570	B1 *	12/2001	Ng	434/307 A
D461,469	S *	8/2002	Wang et al.	D14/497
D469,752	S *	2/2003	Cuvelier	D14/497
6,535,269	B2 *	3/2003	Sherman et al.	352/6

6,563,038	B2 *	5/2003	Kikuchi	84/610
6,661,496	B2 *	12/2003	Sherman et al.	352/6
D505,960	S *	6/2005	Steele et al.	D14/497
D509,223	S *	9/2005	Steele et al.	D14/497
D512,994	S *	12/2005	Lee	D14/497
D524,325	S *	7/2006	Lau et al.	D14/497

* cited by examiner

Primary Examiner—Prabhakar Deshmukh

(74) *Attorney, Agent, or Firm*—Larson & Larson, P.A.; Frank Liebenow

(57) **CLAIM**

I claim the ornamental design for a karaoke guitar amplifier, as shown and described.

DESCRIPTION

FIG. 1 is a front elevation view of the karaoke guitar amplifier showing my novel design;

FIG. 2 is a rear elevation view thereof;

FIG. 3 is a left side elevation view thereof;

FIG. 4 is a right side elevation view thereof;

FIG. 5 is a top plan view thereof;

FIG. 6 is a bottom plan view thereof; and,

FIG. 7 is a perspective view thereof.

1 Claim, 4 Drawing Sheets

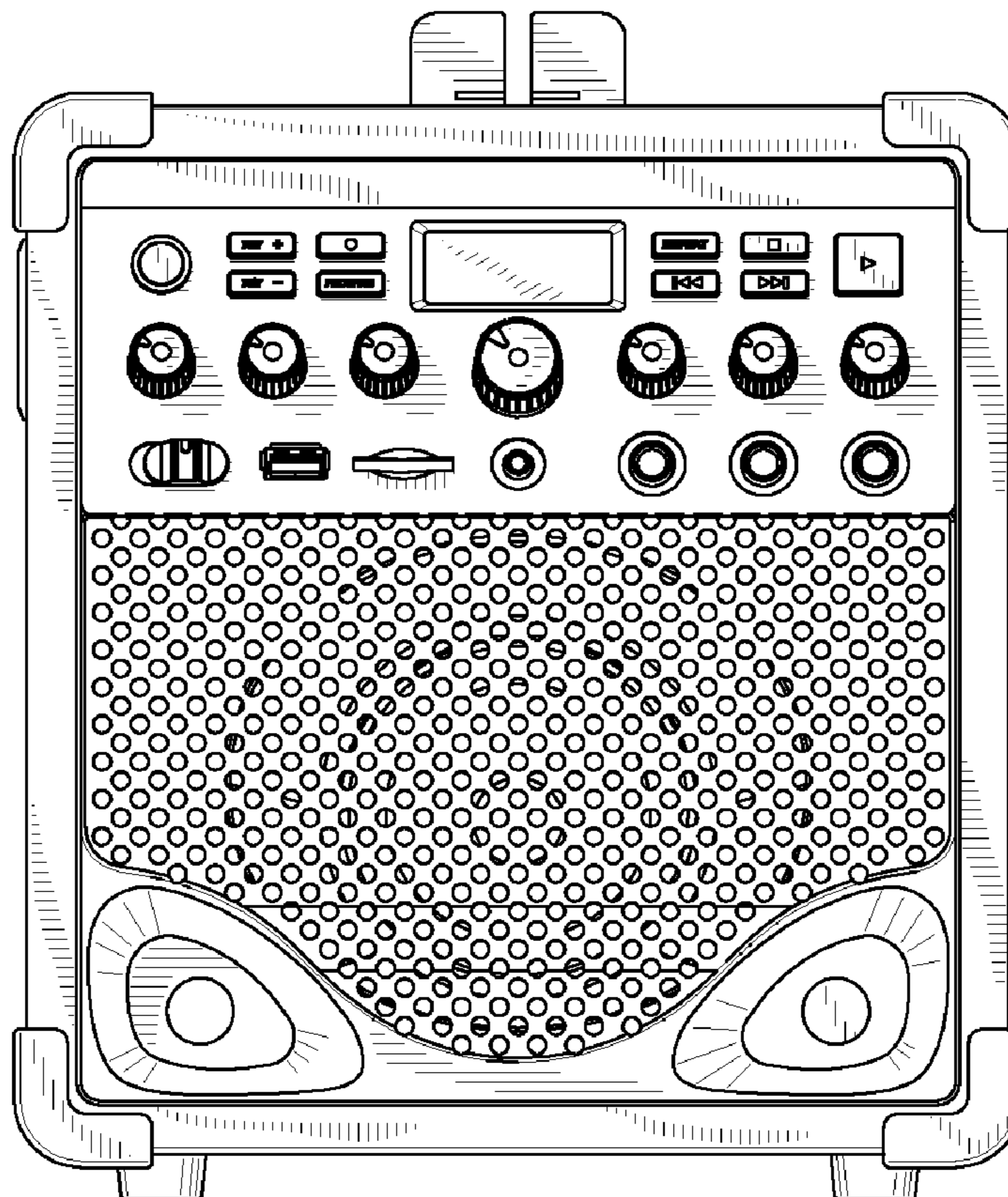


FIG. 1

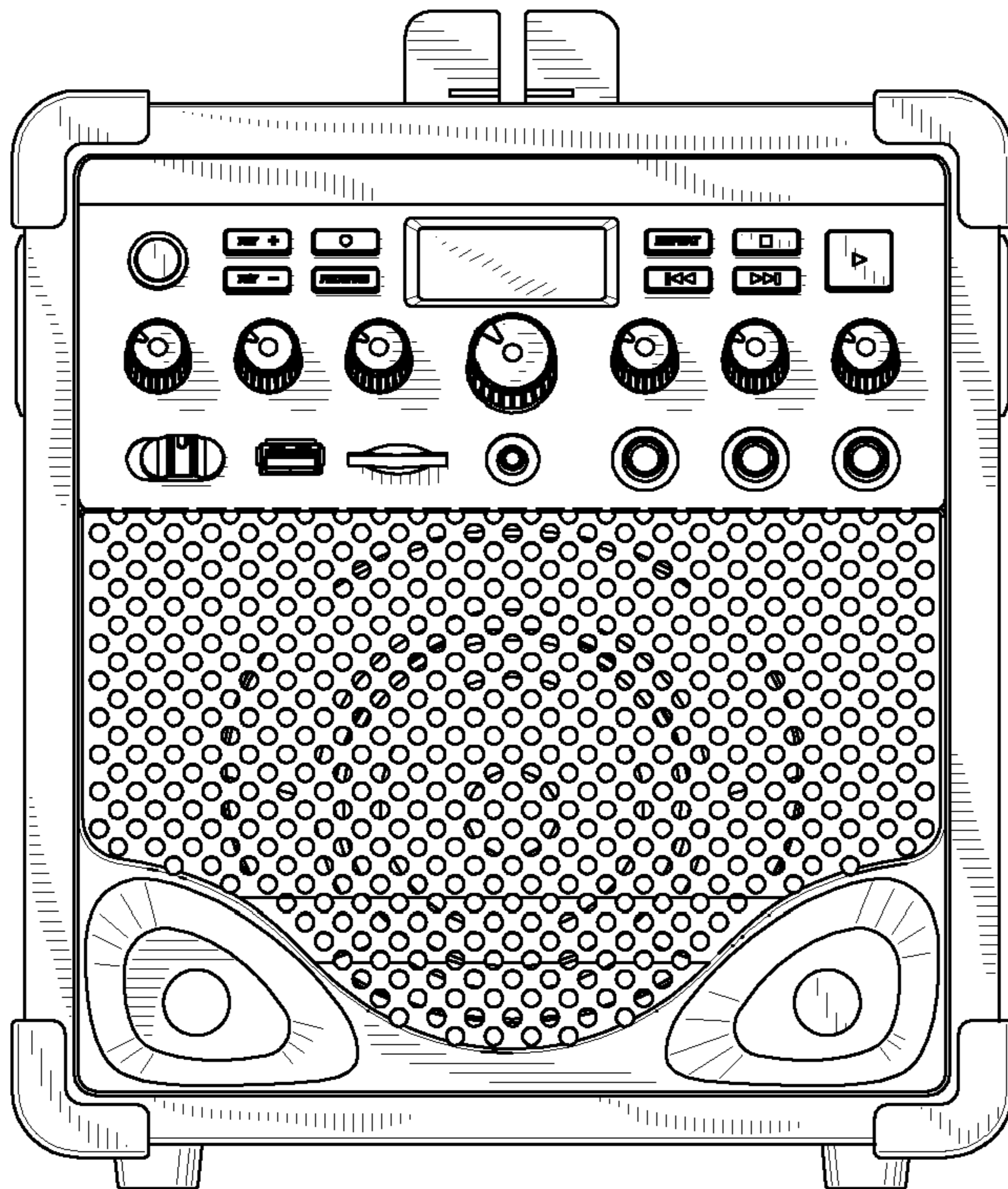


FIG. 2

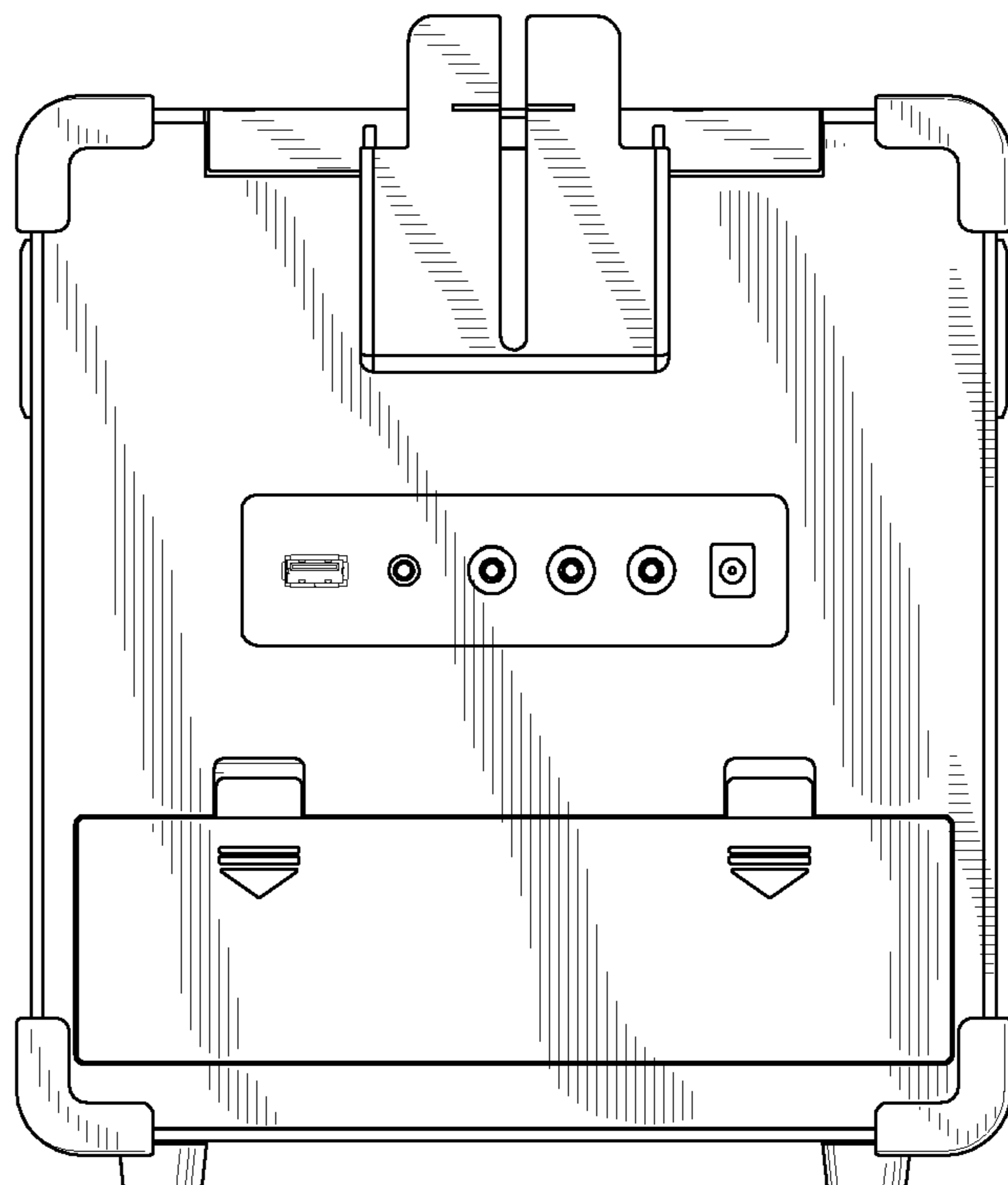


FIG. 3

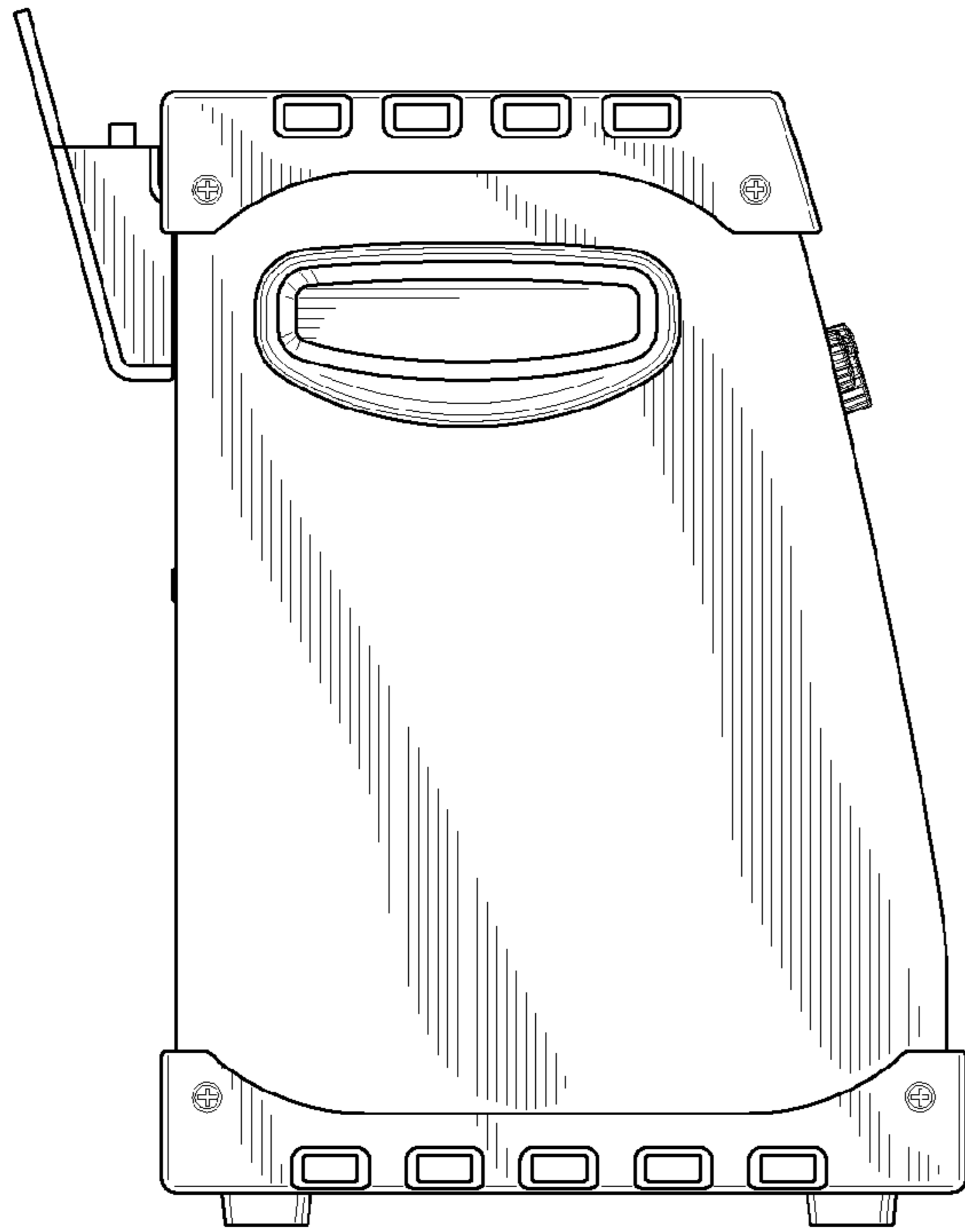


FIG. 4

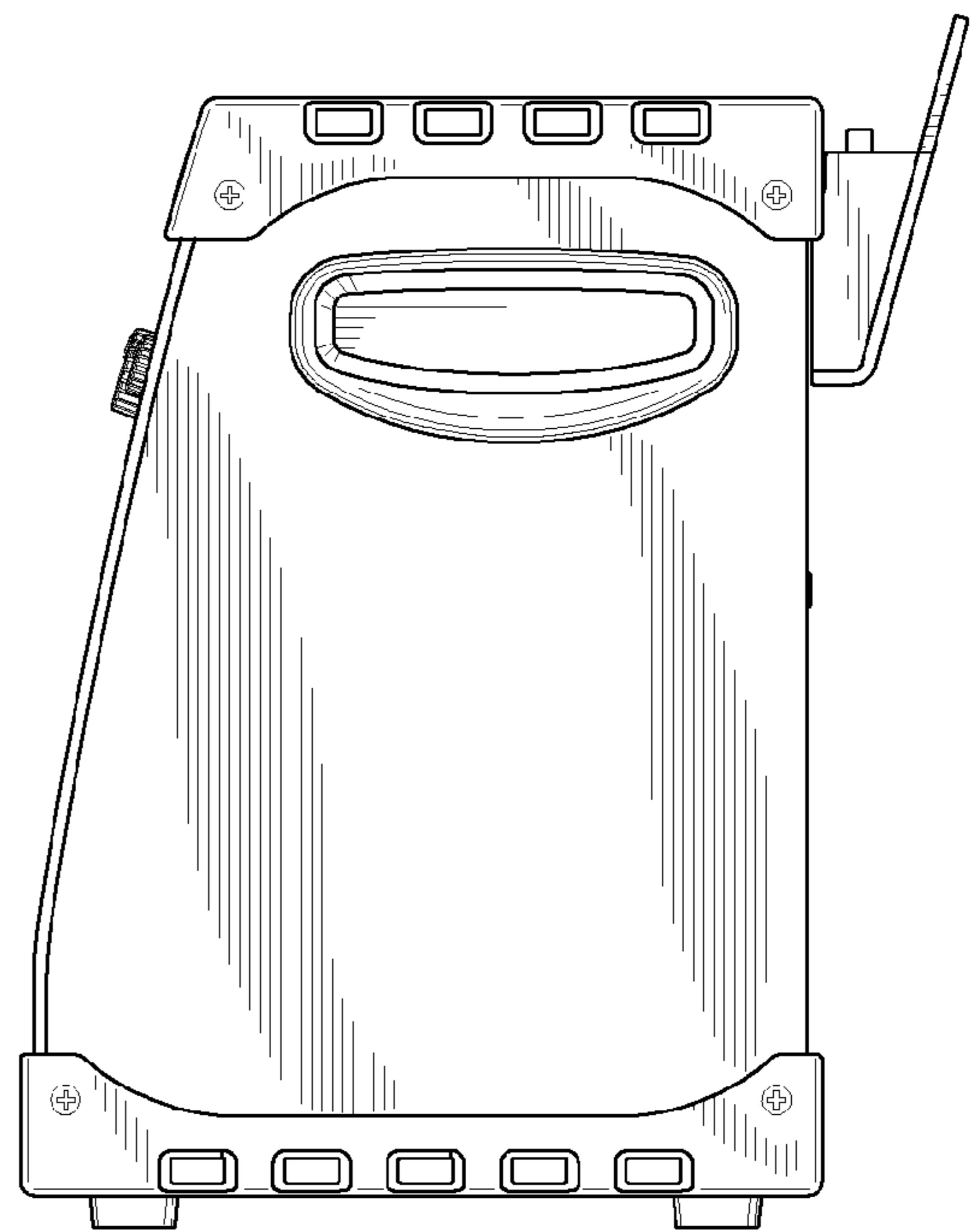


FIG. 5

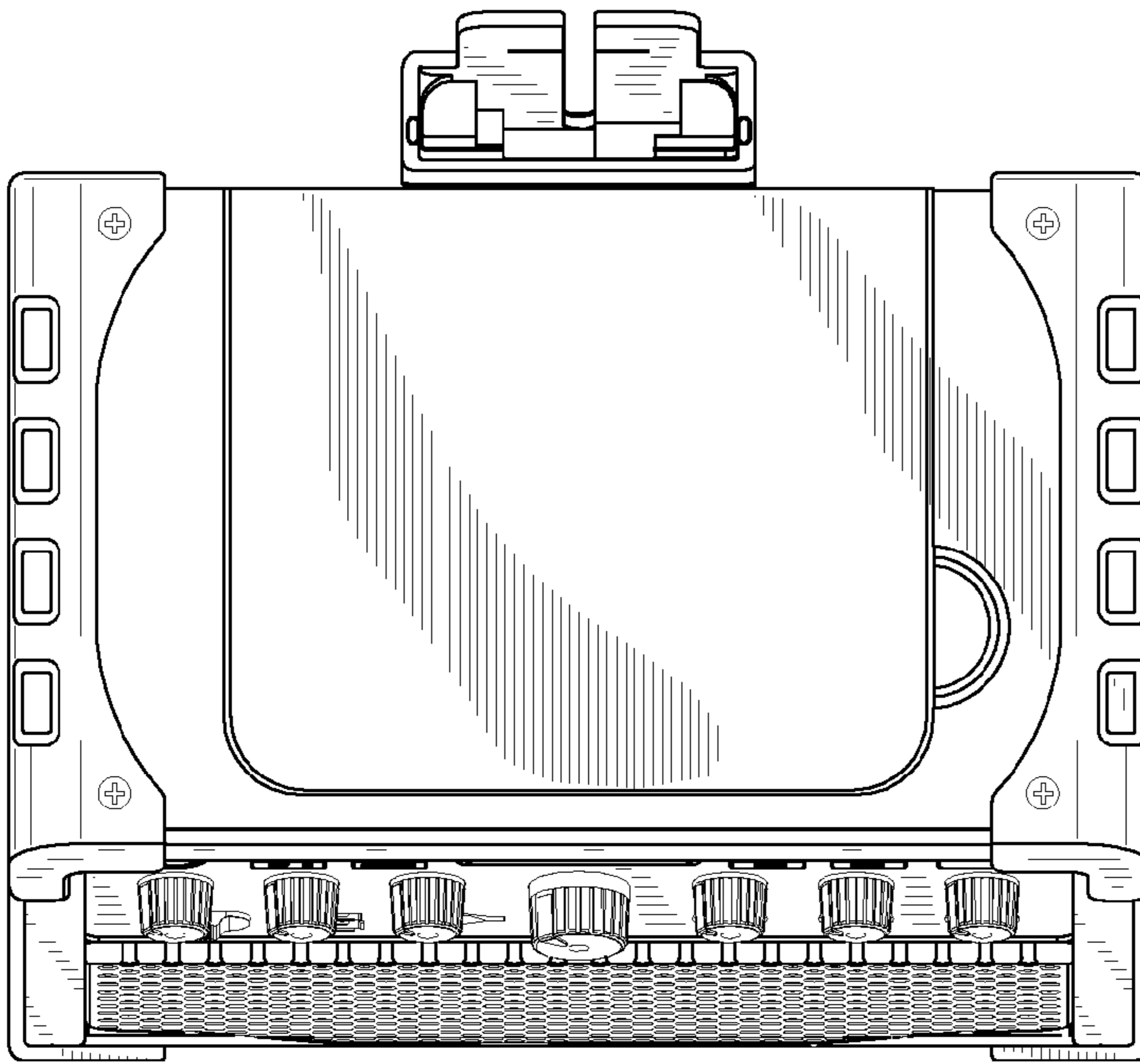


FIG. 6

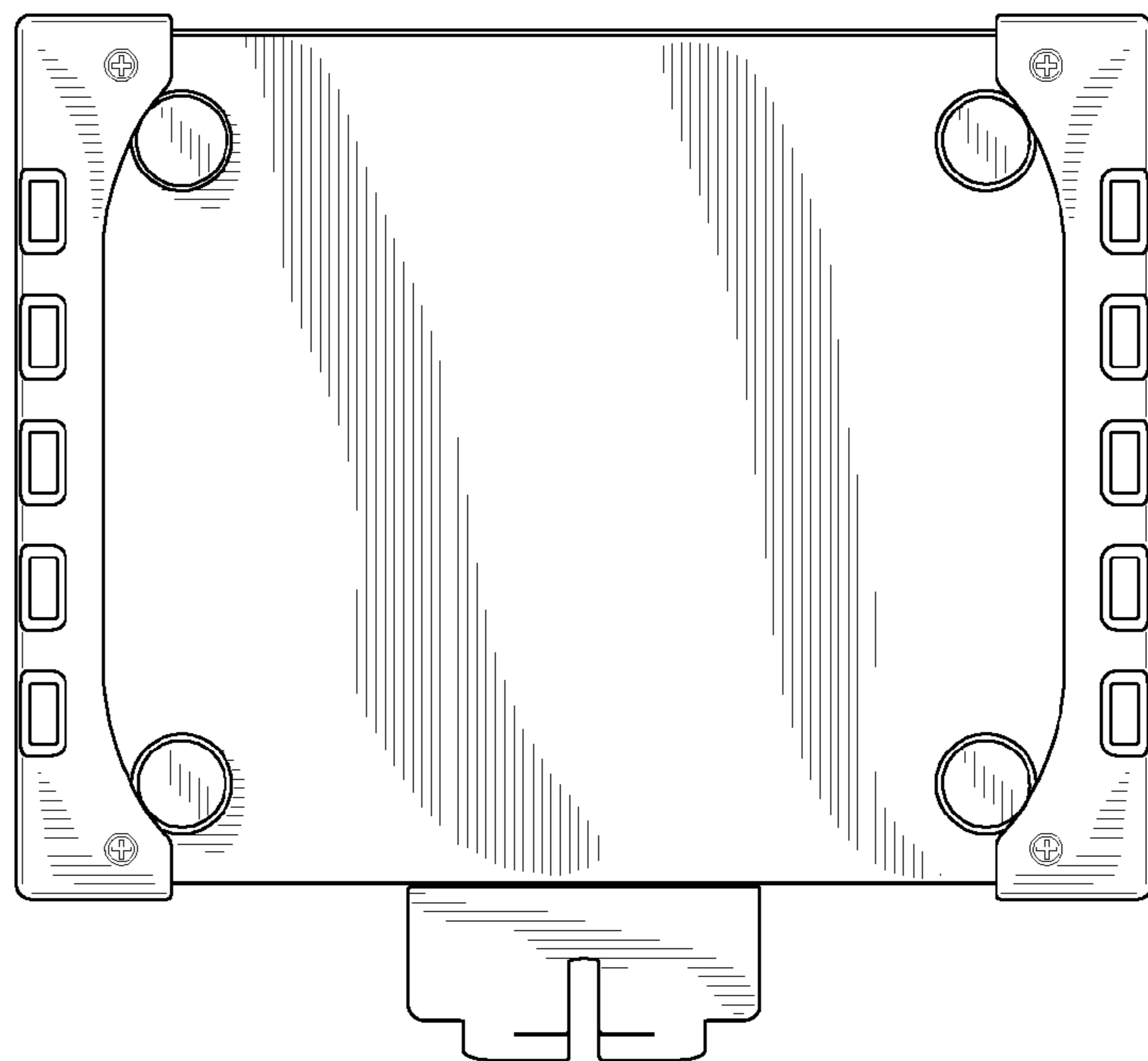


FIG. 7

