



US00D614185S

(12) **United States Design Patent**  
**Chien**

(10) **Patent No.:** **US D614,185 S**

(45) **Date of Patent:** **\*\* Apr. 20, 2010**

(54) **DISPLAY**

(75) Inventor: **Chiao-Hung Chien**, Taipei (TW)

(73) Assignee: **Hannspree, Inc.**, Taipei (TW)

(\*\*) Term: **14 Years**

(21) Appl. No.: **29/343,176**

(22) Filed: **Sep. 9, 2009**

(51) **LOC (9) Cl.** ..... **14-02**

(52) **U.S. Cl.** ..... **D14/374**

(58) **Field of Classification Search** ..... D14/371-376,  
D14/125-129; 345/104, 156, 168, 173, 87,  
345/1.1, 901-905; 341/12; 348/180, 184,  
348/325, 739; 349/1, 2, 11, 58; 248/917,  
248/924; 361/679.23, 679.08

See application file for complete search history.

(56) **References Cited**

**U.S. PATENT DOCUMENTS**

D383,739 S *	9/1997	Gilgen	.....	D14/375
D483,757 S *	12/2003	Olson et al.	.....	D14/371
D496,047 S *	9/2004	Hoehn	.....	D14/375
D526,291 S *	8/2006	Anzures	.....	D14/126
D551,228 S *	9/2007	Hwang et al.	.....	D14/375

D554,639 S *	11/2007	Kim et al.	.....	D14/375
D578,087 S *	10/2008	Yokota	.....	D14/126
D590,785 S *	4/2009	Yokota	.....	D14/126
D599,756 S *	9/2009	Yokota	.....	D14/126
2008/0019088 A1 *	1/2008	Williams et al.	.....	361/681

\* cited by examiner

*Primary Examiner*—Freda S Nunn

(74) *Attorney, Agent, or Firm*—Ditthavong Mori & Steiner, P.C.

(57) **CLAIM**

The ornamental design for a display, as shown and described.

**DESCRIPTION**

FIG. 1 is a rear perspective view of a display showing my new design;

FIG. 2 is a front elevational view thereof;

FIG. 3 is a rear elevational view thereof;

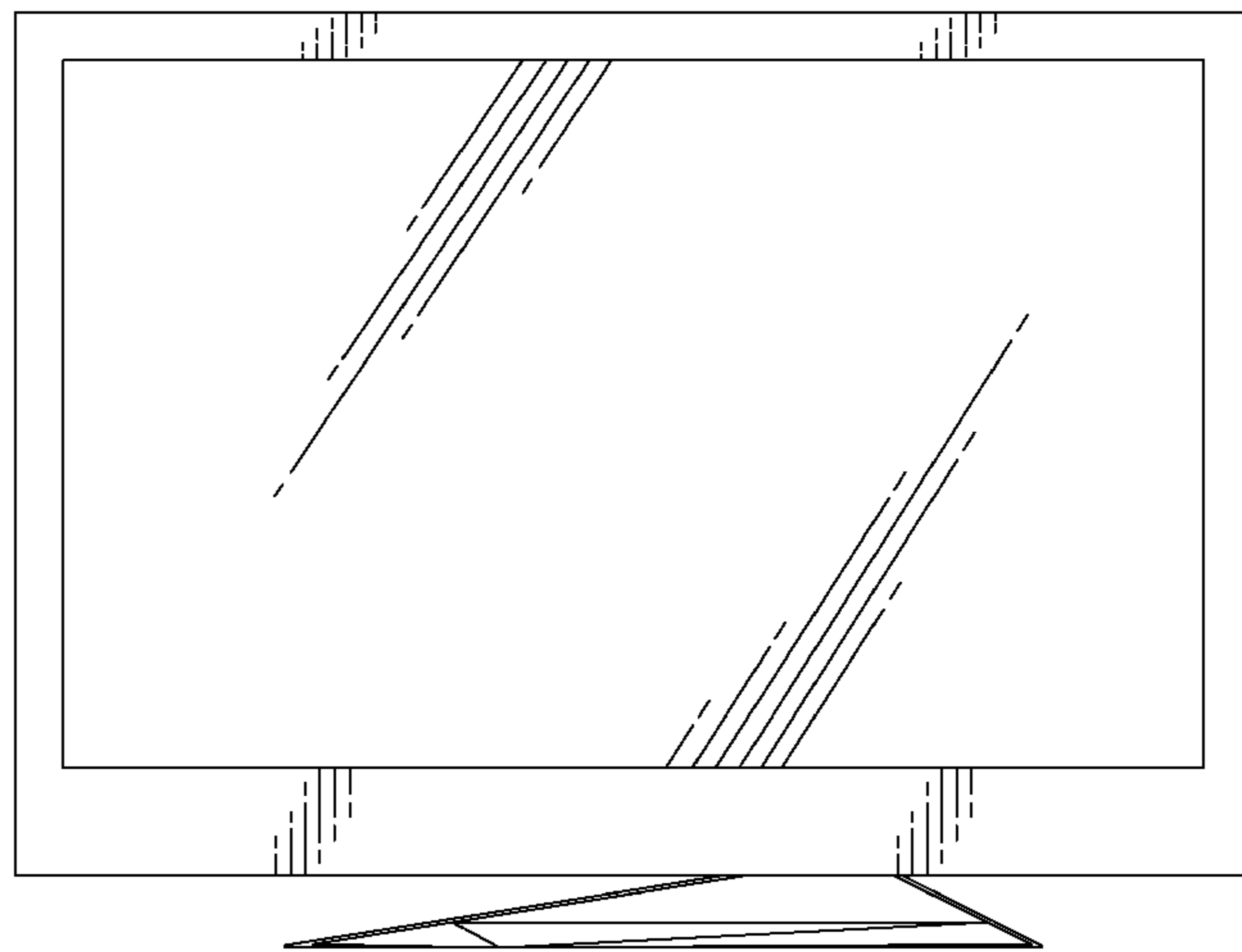
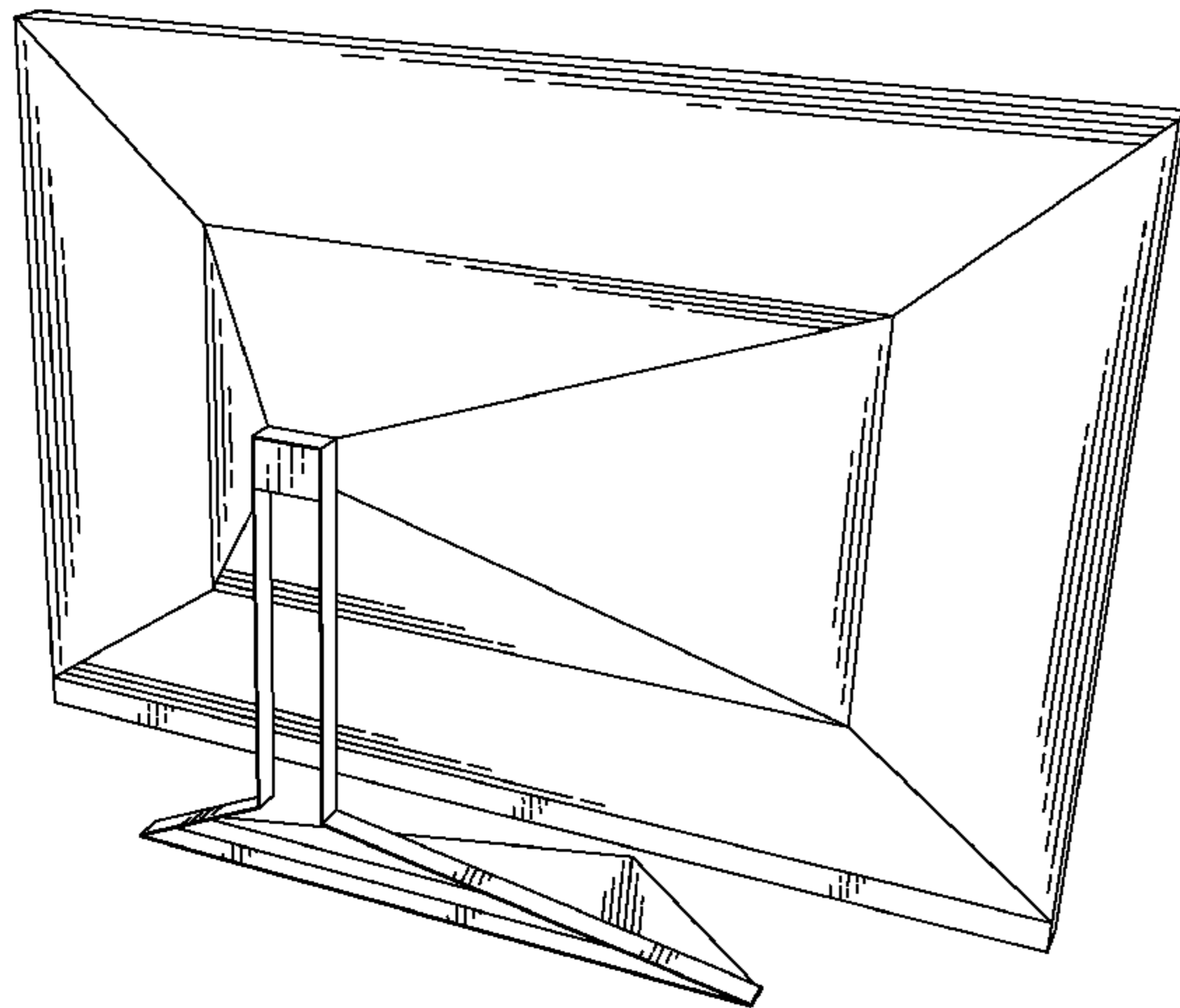
FIG. 4 is a left side elevational view thereof;

FIG. 5 is a right side elevational view thereof;

FIG. 6 is a top plan view thereof; and,

FIG. 7 is a bottom plan view thereof.

**1 Claim, 7 Drawing Sheets**



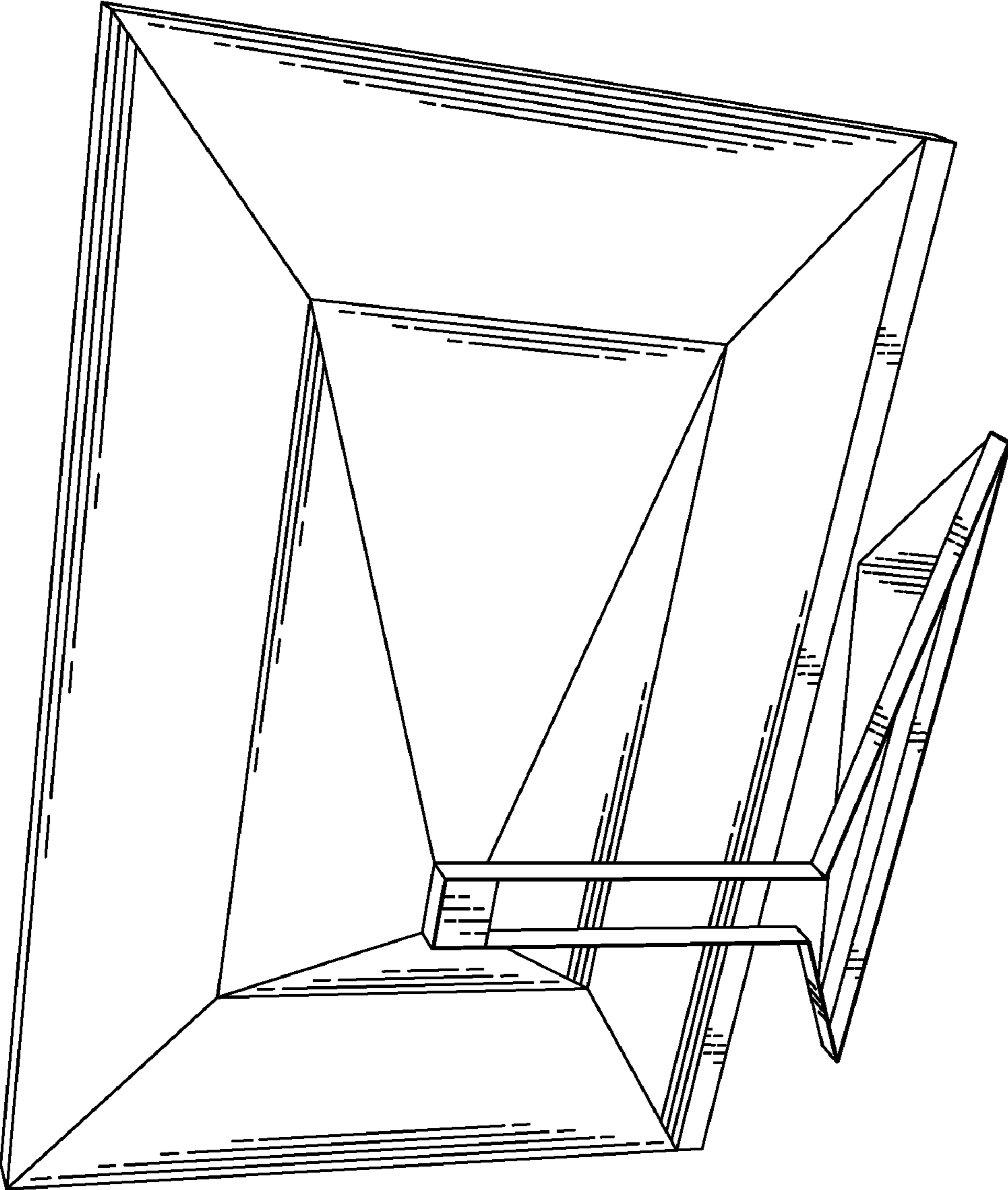


Fig. 1

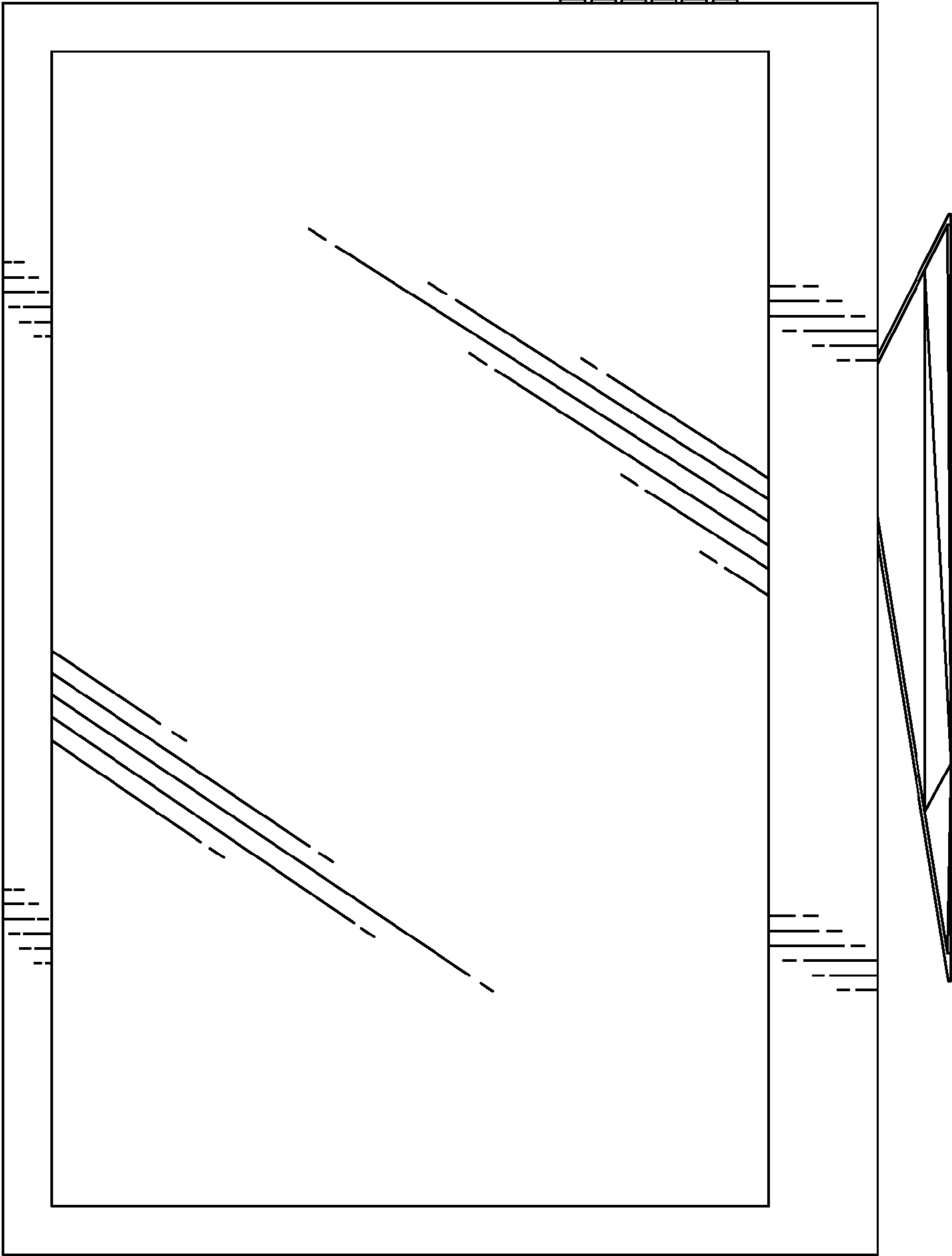


Fig. 2

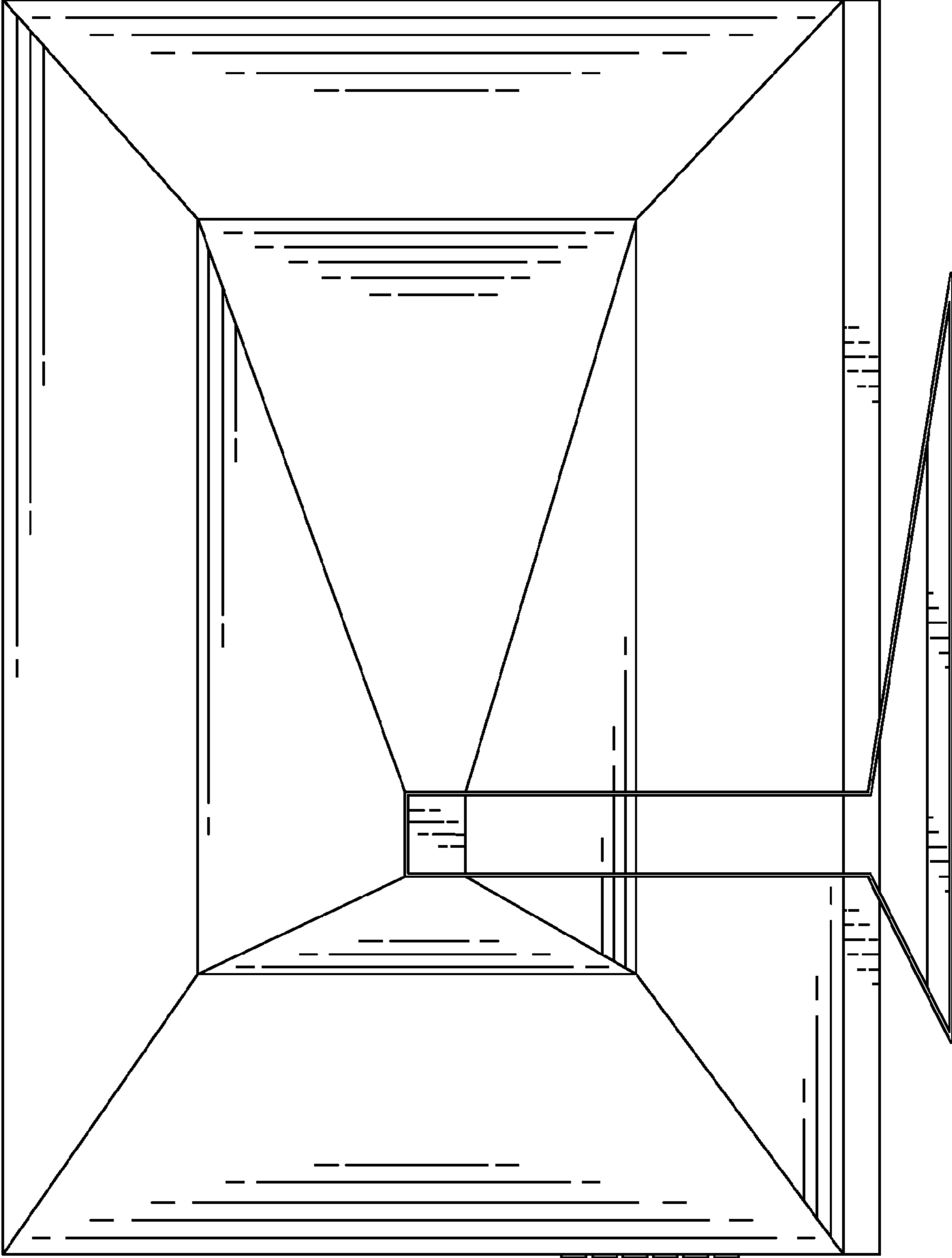


Fig. 3

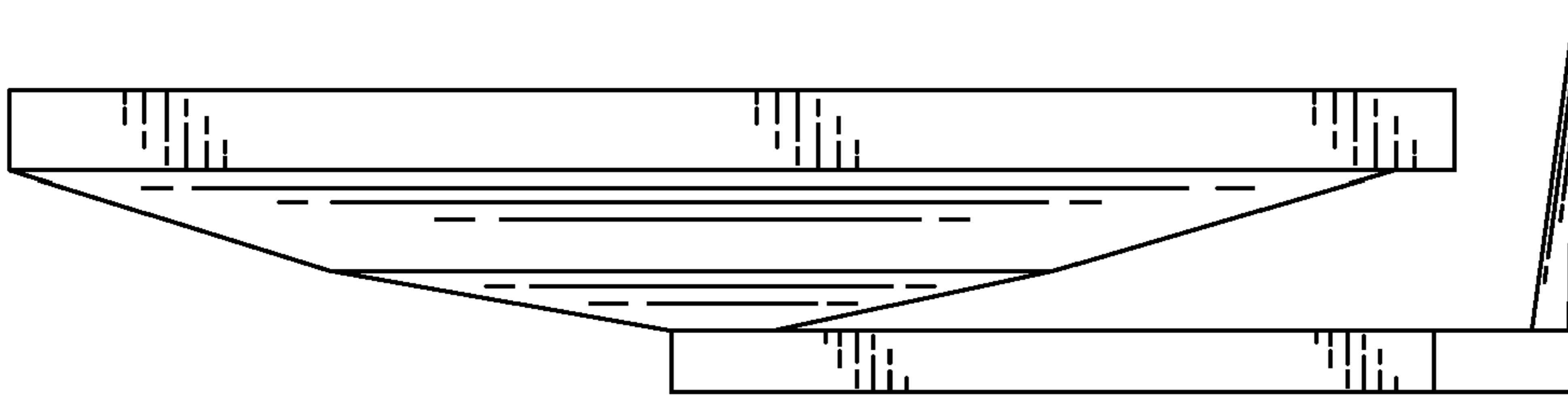


Fig. 4

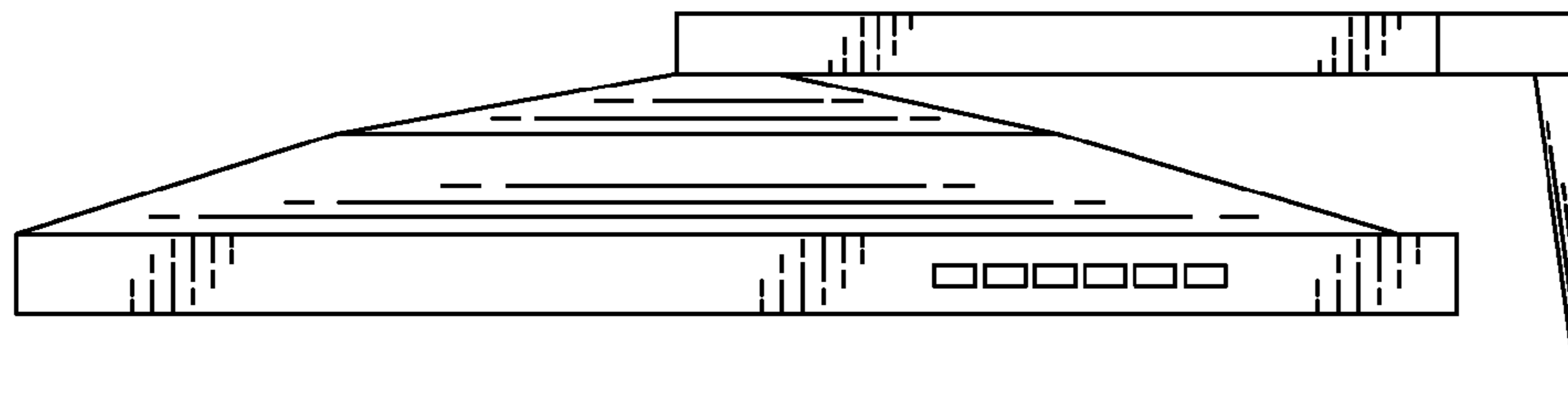


Fig. 5

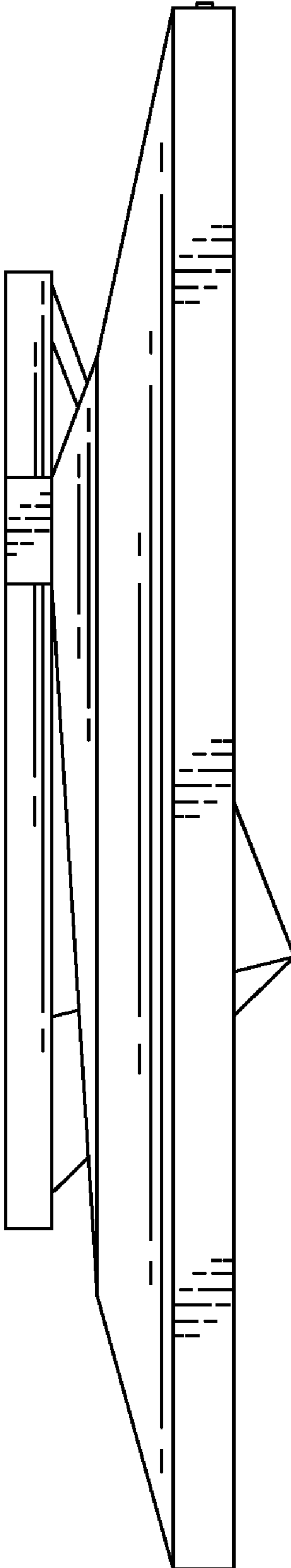


Fig. 6

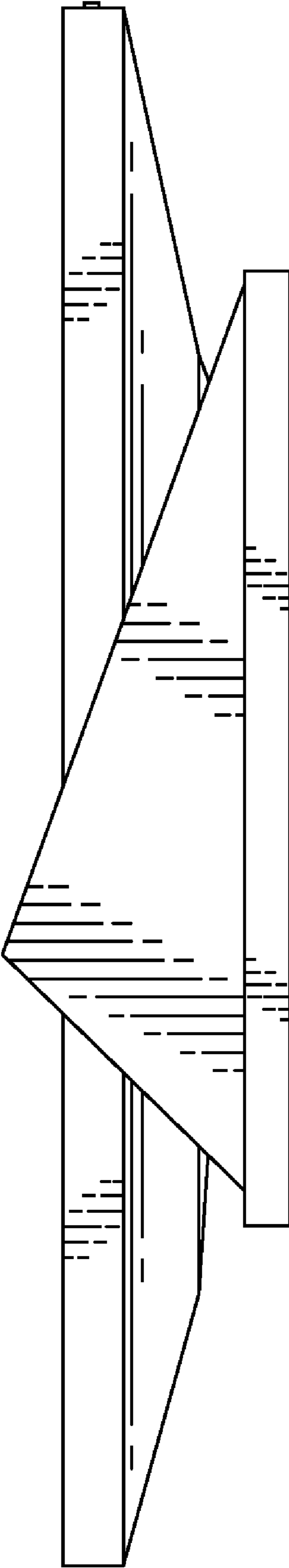


Fig. 7