



US00D614184S

(12) **United States Design Patent**
Daniel

(10) **Patent No.:** **US D614,184 S**
(45) **Date of Patent:** **** Apr. 20, 2010**

(54) **COMBINED DEVICE KEYPAD AND STYLUS**

(57) **CLAIM**

(76) **Inventor:** **Isaac S. Daniel**, 200 S. Biscayne Blvd.,
Suite 2650, Miami, FL (US) 33131

The ornamental design for a combined device keypad and stylus, as shown and described.

(**) **Term:** **14 Years**

(21) **Appl. No.:** **29/315,612**

DESCRIPTION

(22) **Filed:** **Jul. 9, 2009**

(51) **LOC (9) Cl.** **14-02**

(52) **U.S. Cl.** **D14/346; D14/342**

(58) **Field of Classification Search** D14/341-347,
D14/390, 411, 426, 427, 431, 432, 439, 454,
D14/455, 456, 138 R, 138 AA, 138 AB, 138 AC,
D14/138 AD, 138 C, 138 G, 137, 203.7,
D14/203.3, 203.4, 203.5, 203.6, 238.1, 247,
D14/248, 250, 251, 252, 254, 496; D21/329,
D21/330, 331, 333; D18/7; D10/65; 345/169,
345/901, 905; 379/433.13, 910, 916, 433.04,
379/433.07, 433.11, 433.12; 455/556.1,
455/556.2, 566, 575.1, 575.3, 575.4, 90.3
See application file for complete search history.

FIG. 1 is a top left front perspective view of the combined device keypad and stylus in the open position.

FIG. 2 is a top left front perspective view of the invention in the closed position.

FIG. 3 is a top right rear perspective view of the invention in the open position.

FIG. 4 is a top right rear perspective view of the invention in the closed position.

FIG. 5 is a top plan view of the invention in the open position.

FIG. 6 is a top plan view of the invention in the closed position.

FIG. 7 is a bottom view of the invention in the open position.

FIG. 8 is a bottom view of the invention in the closed position.

FIG. 9 is a right side view of the invention in the open position.

FIG. 10 is a right side view of the invention in the closed position.

FIG. 11 is a left side view of the invention in the open position.

FIG. 12 is a left side view of the invention in the closed position.

FIG. 13 is a front view of the invention; and,

FIG. 14 is a rear view of the invention.

For convenience of illustration the stylus is not shown in FIGS. 2, 4, 6, 8, 10 and 12.

(56) **References Cited**

U.S. PATENT DOCUMENTS

5,646,649 A * 7/1997 Iwata et al. 345/173
D397,679 S * 9/1998 Hawkins et al. D14/342
6,107,997 A * 8/2000 Ure 345/173

(Continued)

OTHER PUBLICATIONS

Samsung D980, http://www.gsmarena.com/samsung_d980-2500.php, announced Aug. 2008, viewed on Jan. 11, 2010.*

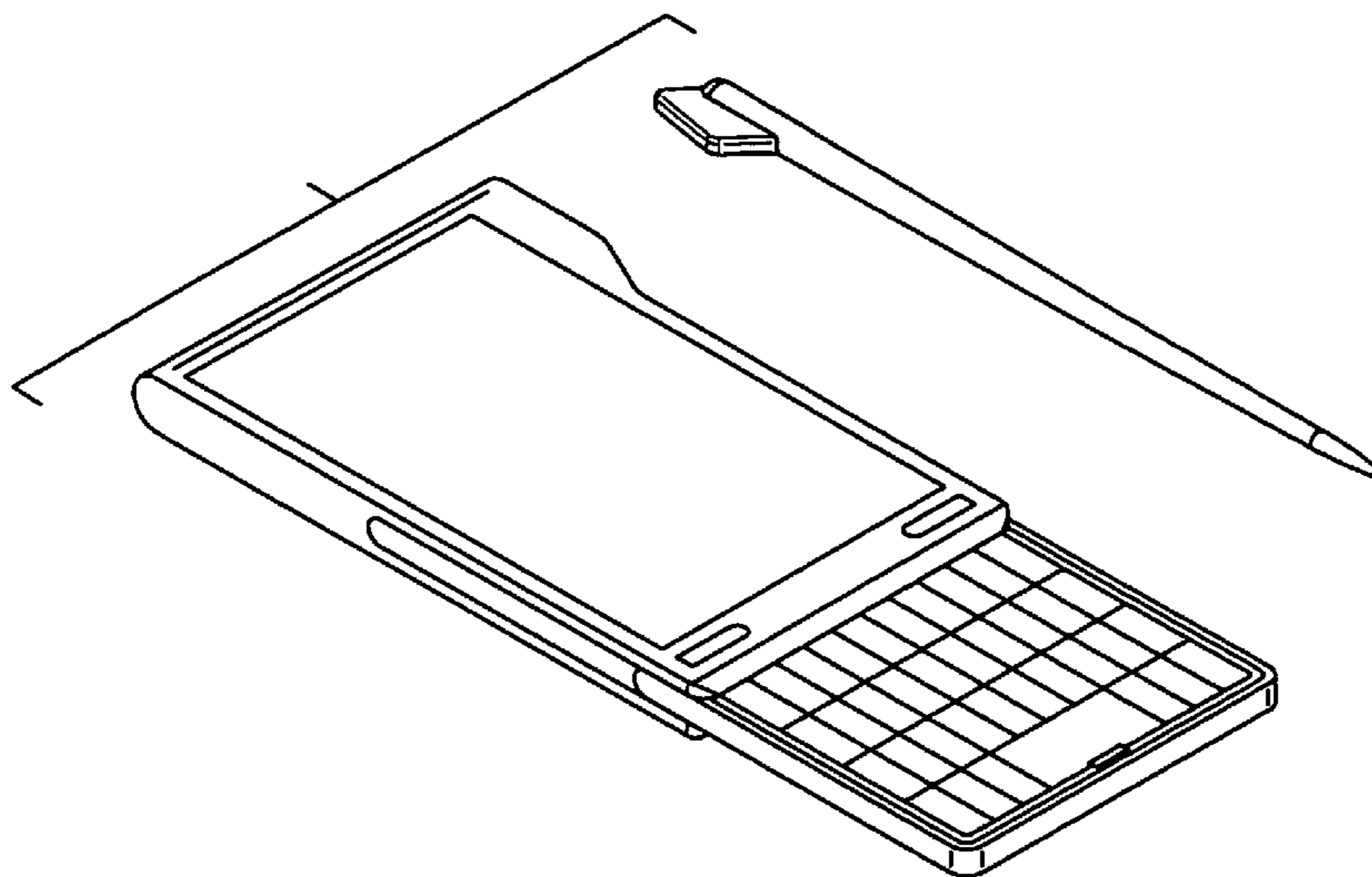
(Continued)

Primary Examiner—Jennifer Rivard

Assistant Examiner—Angela J Lee

(74) *Attorney, Agent, or Firm*—Carol N. Green, Esq.

1 Claim, 6 Drawing Sheets



US D614,184 S

Page 2

U.S. PATENT DOCUMENTS

6,191,743 B1 * 2/2001 Jones et al. 343/702
6,507,336 B1 * 1/2003 Lunsford 345/168
6,574,471 B1 * 6/2003 Rydbeck 455/418
6,724,370 B2 * 4/2004 Dutta et al. 345/169
D560,192 S * 1/2008 Lee et al. D14/138 AD
D594,863 S * 6/2009 Ichise et al. D14/345
2004/0214600 A1 * 10/2004 Schechet et al. 455/557
2008/0207273 A1 * 8/2008 Huo 455/566

2008/0233980 A1 * 9/2008 Englund et al. 455/466
2009/0061956 A1 * 3/2009 Matsuoka 455/575.1
2009/0137293 A1 * 5/2009 Yoo et al. 455/575.4

OTHER PUBLICATIONS

Asus P505, http://www.gsmarena.com/asus_p505-1739.php,
announced Mar. 2006, viewed on Jan. 11, 2010.*

* cited by examiner

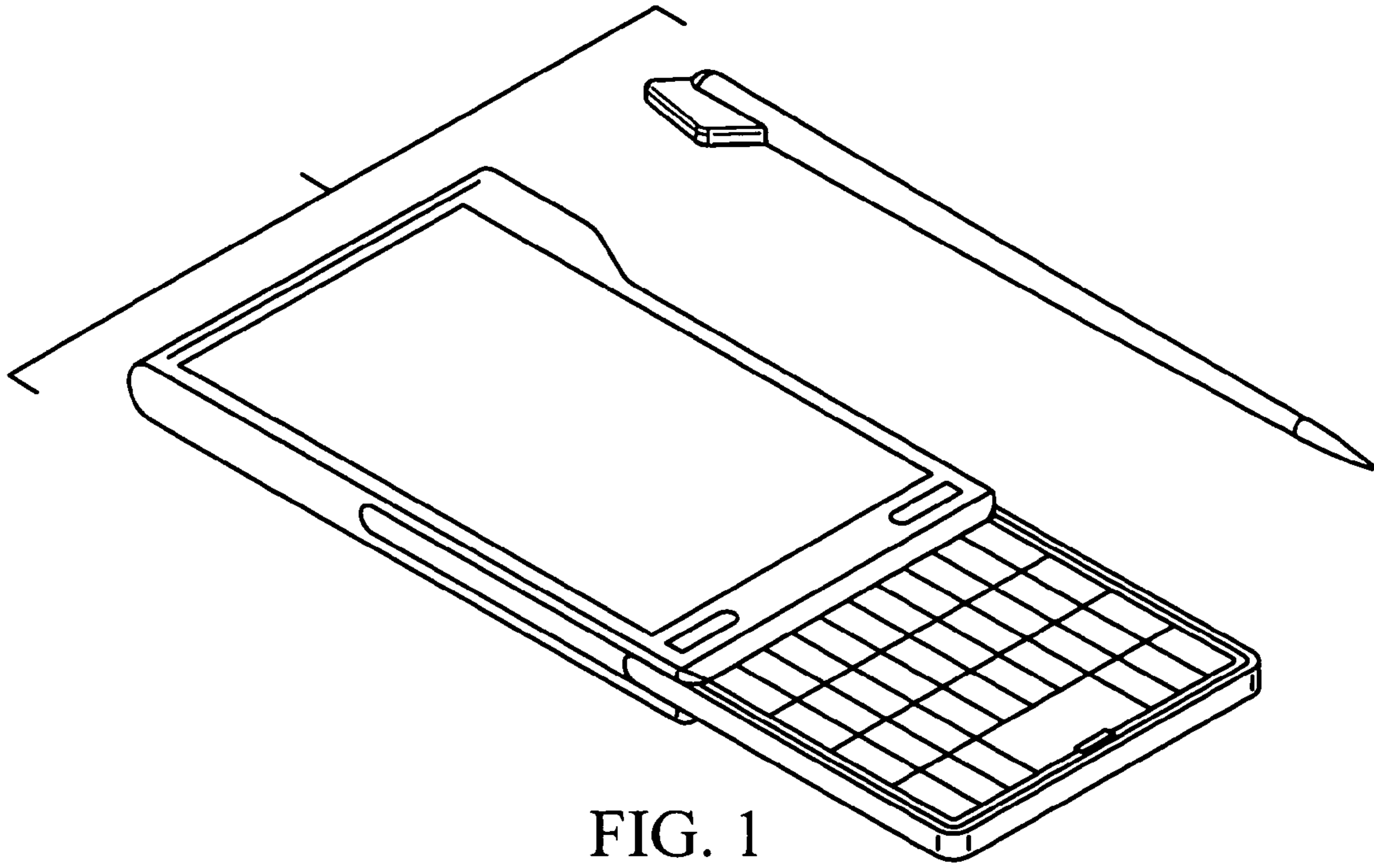


FIG. 1

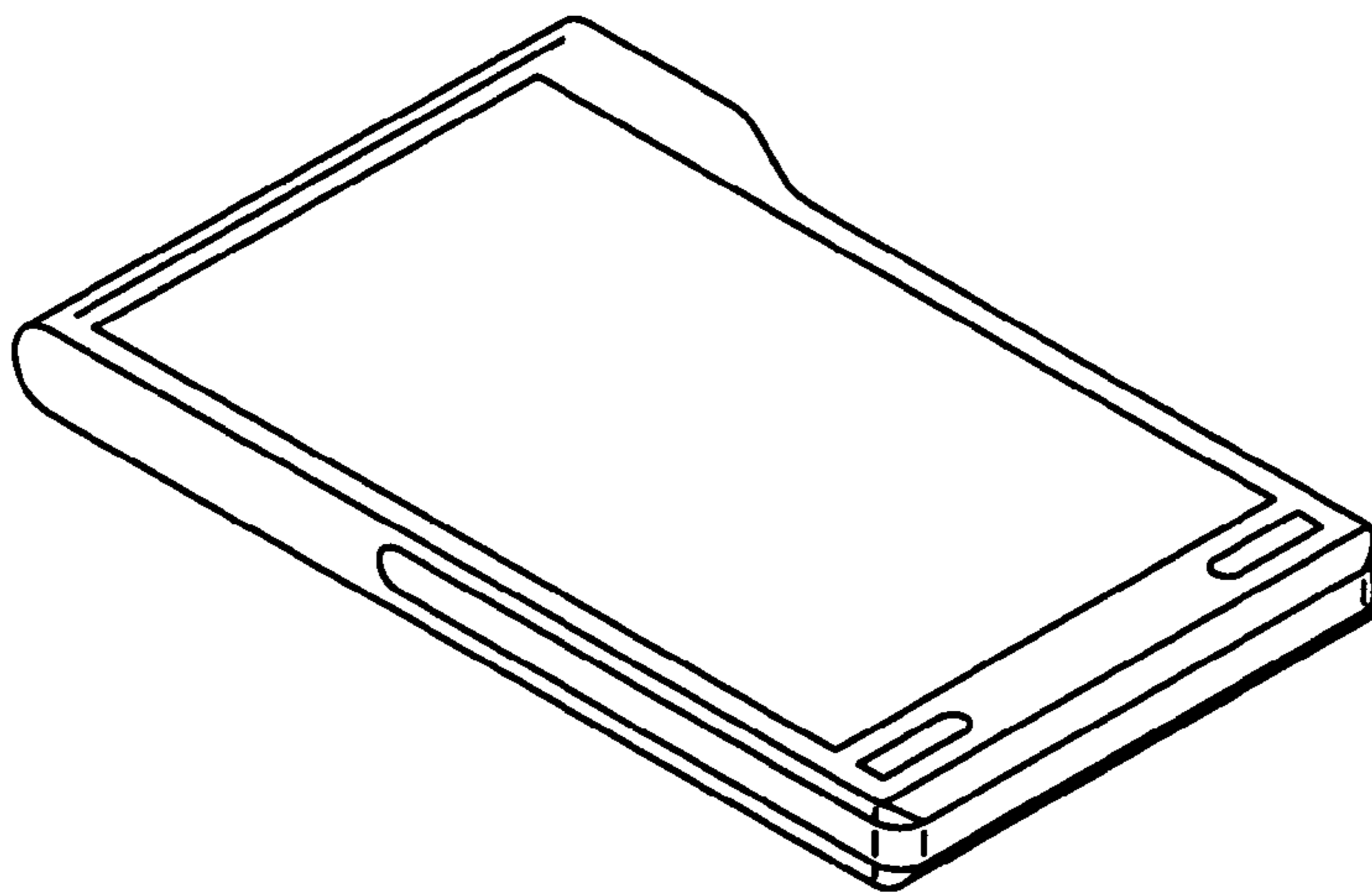


FIG. 2

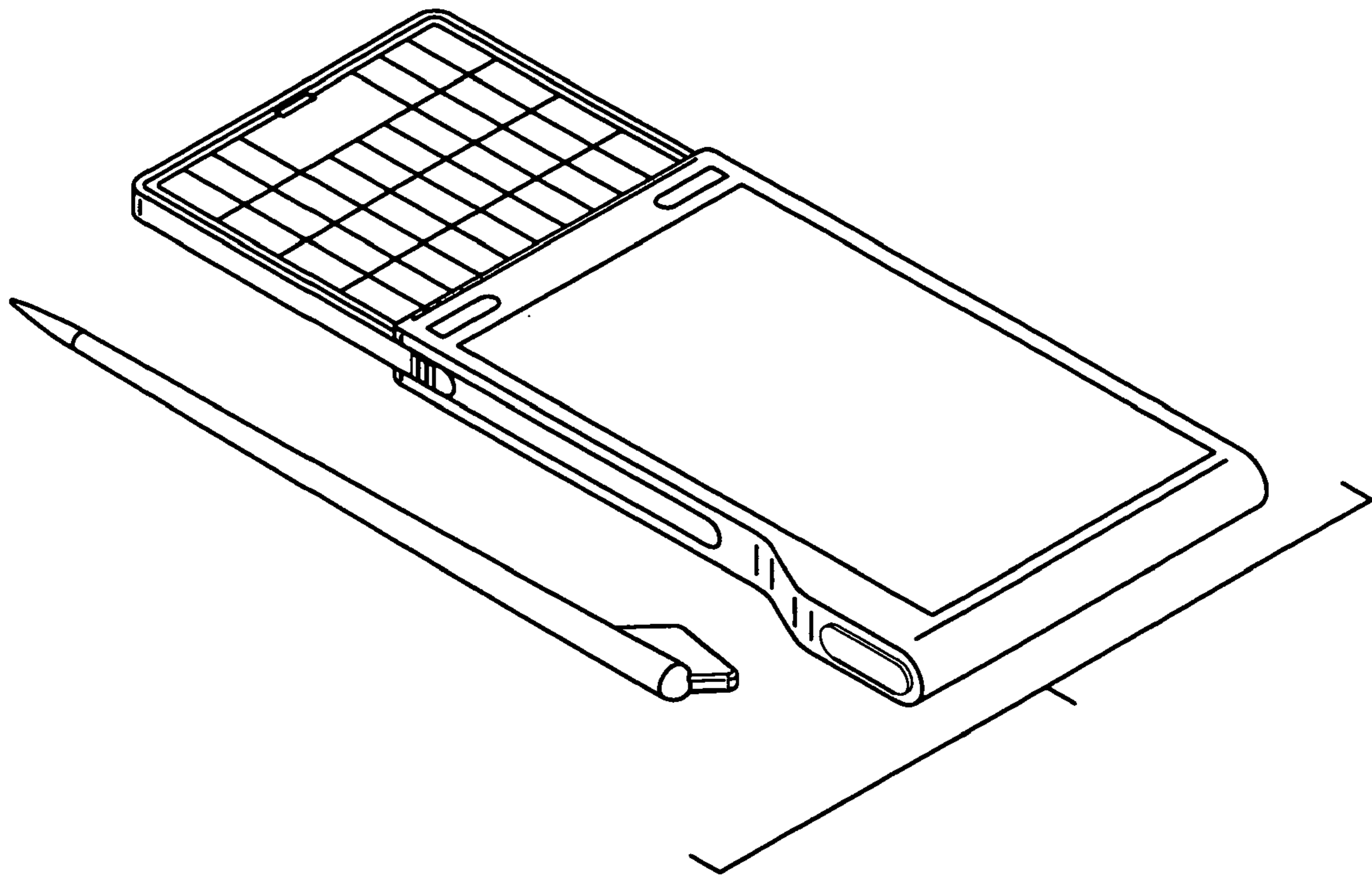


FIG. 3

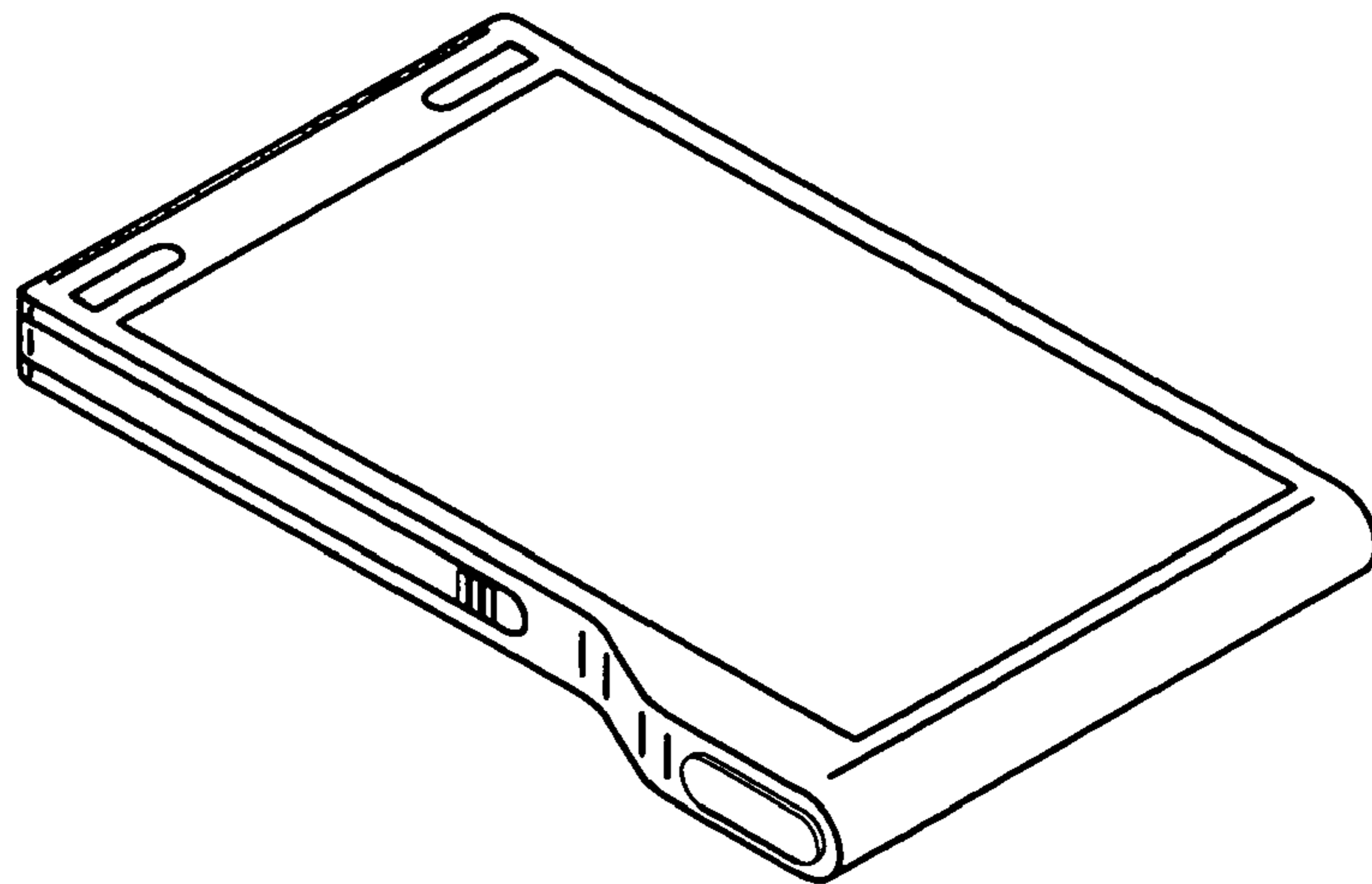


FIG. 4

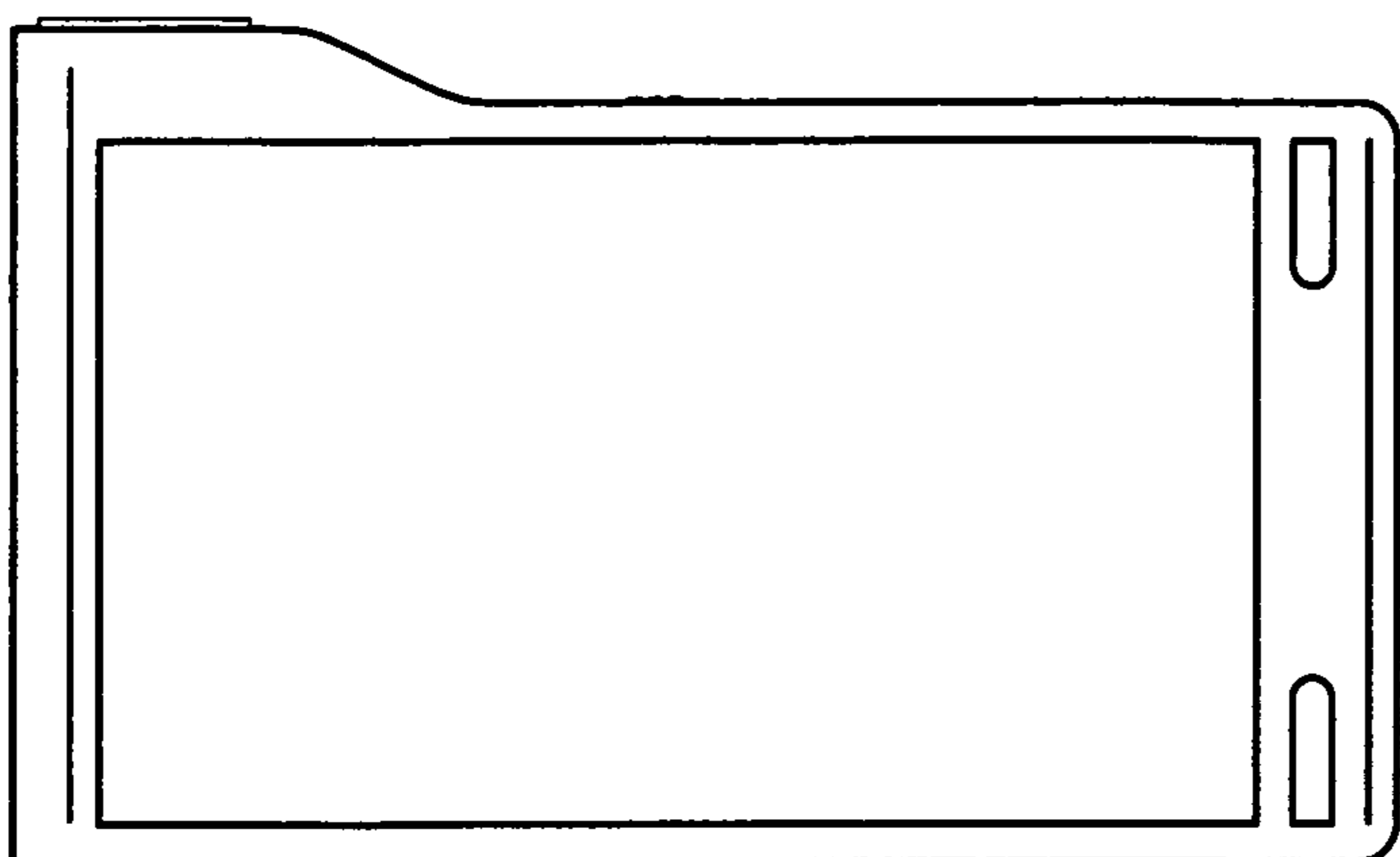


FIG. 6

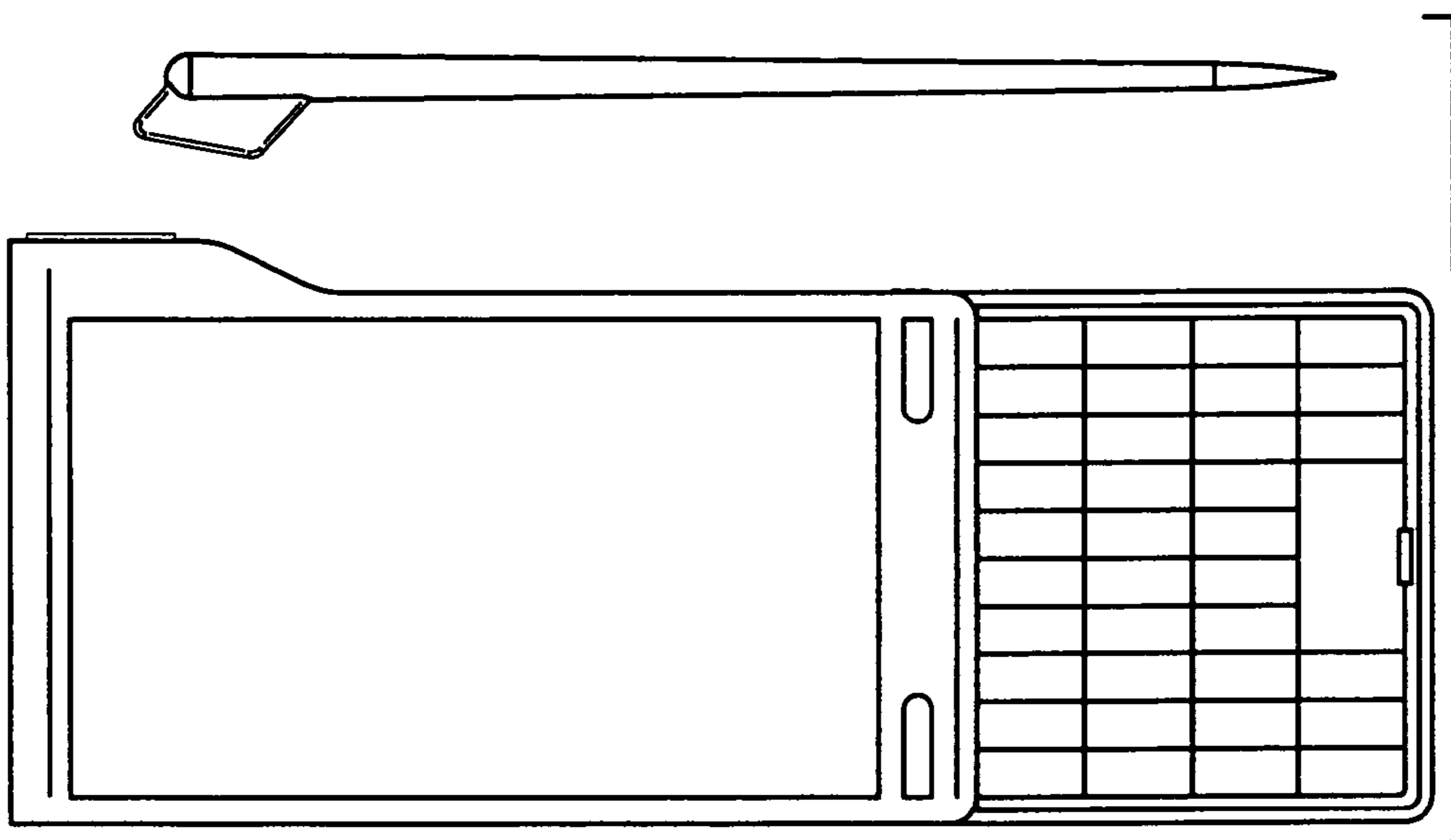


FIG. 5

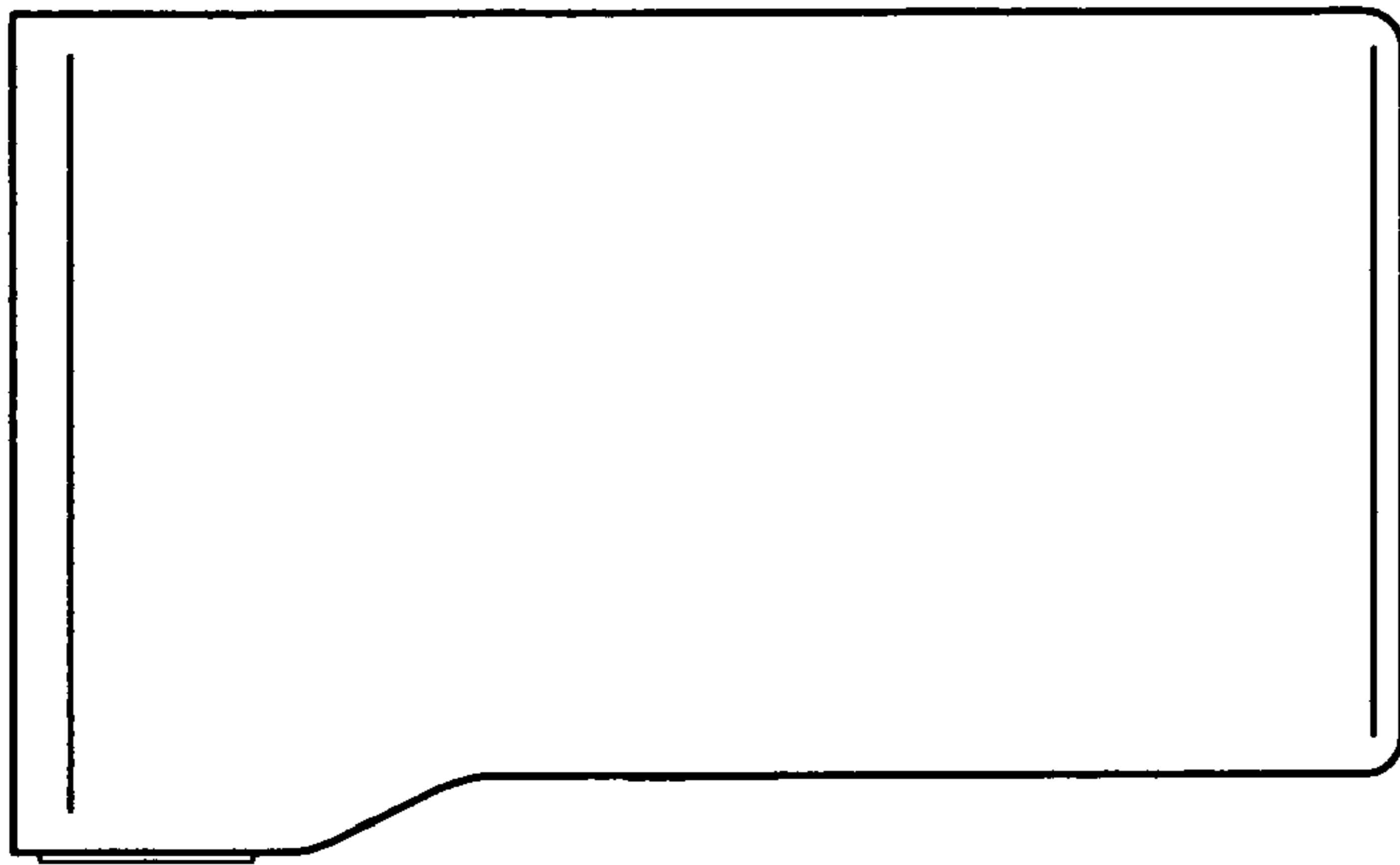


FIG. 8

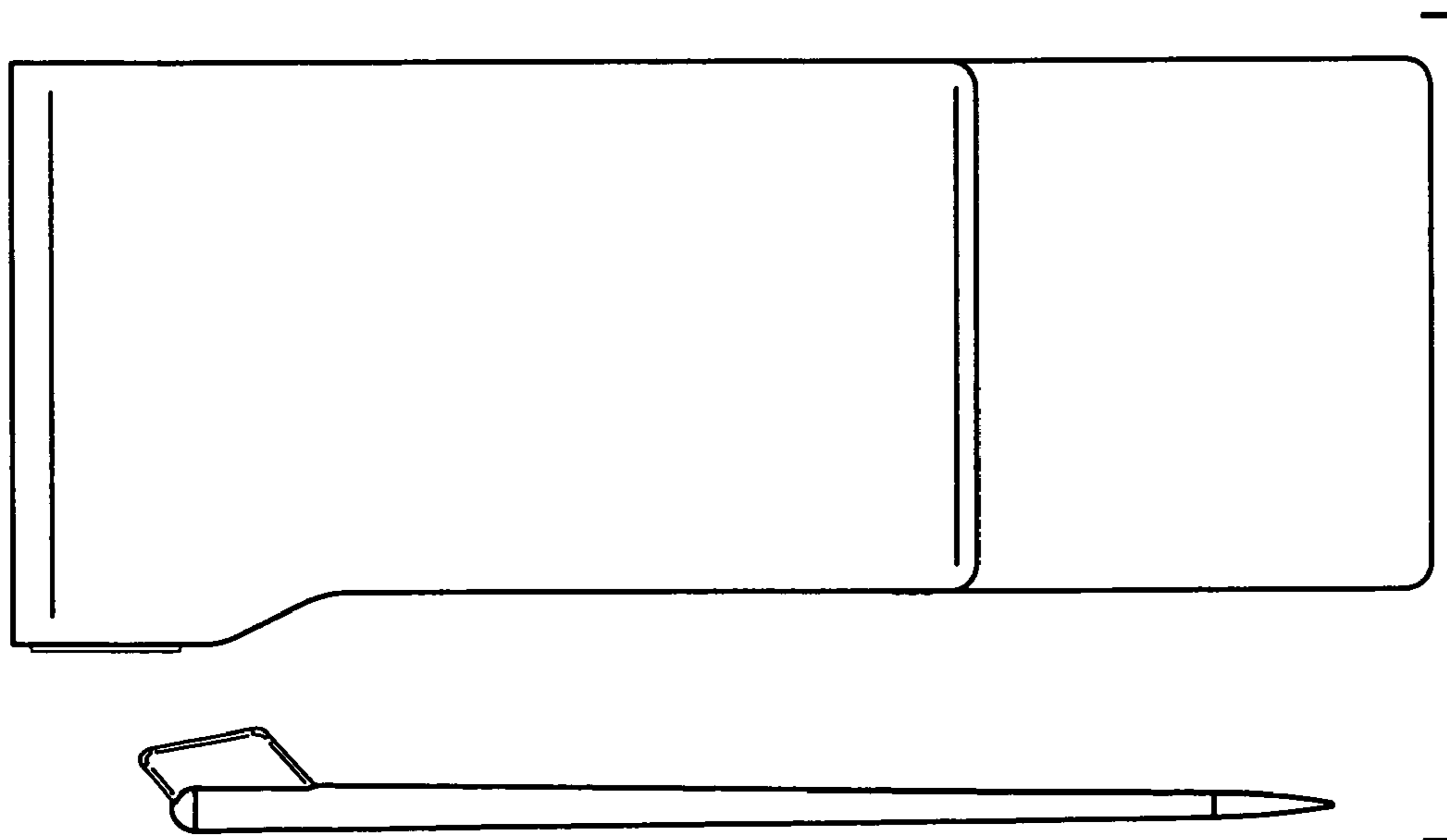


FIG. 7

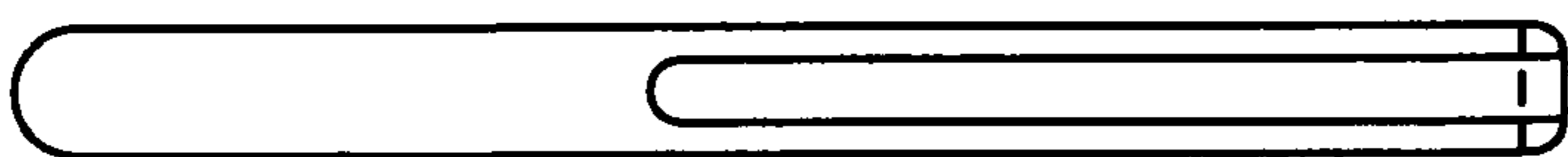


FIG. 12

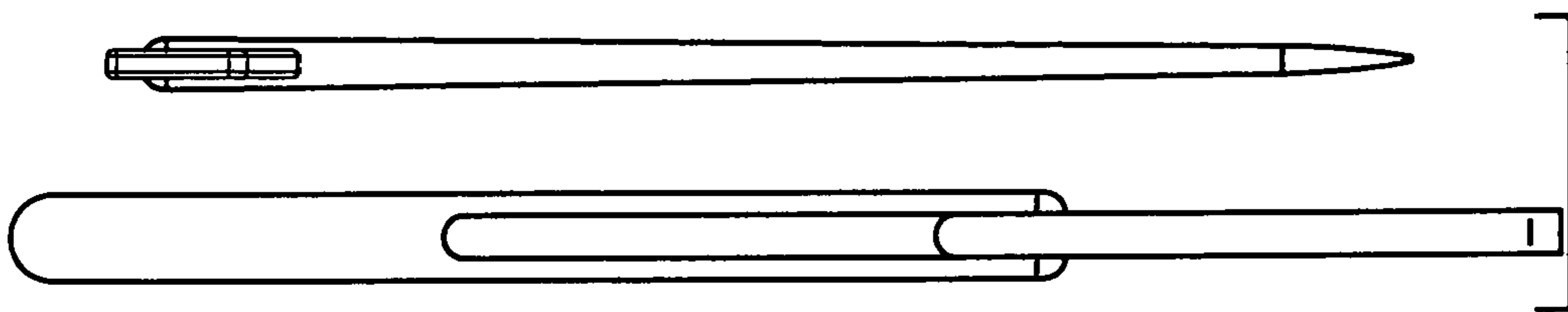


FIG. 11



FIG. 10

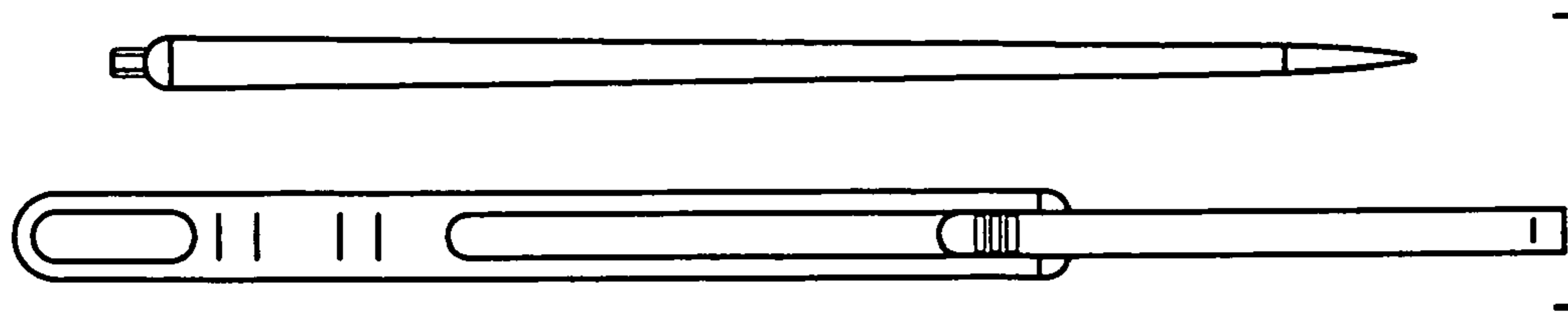


FIG. 9

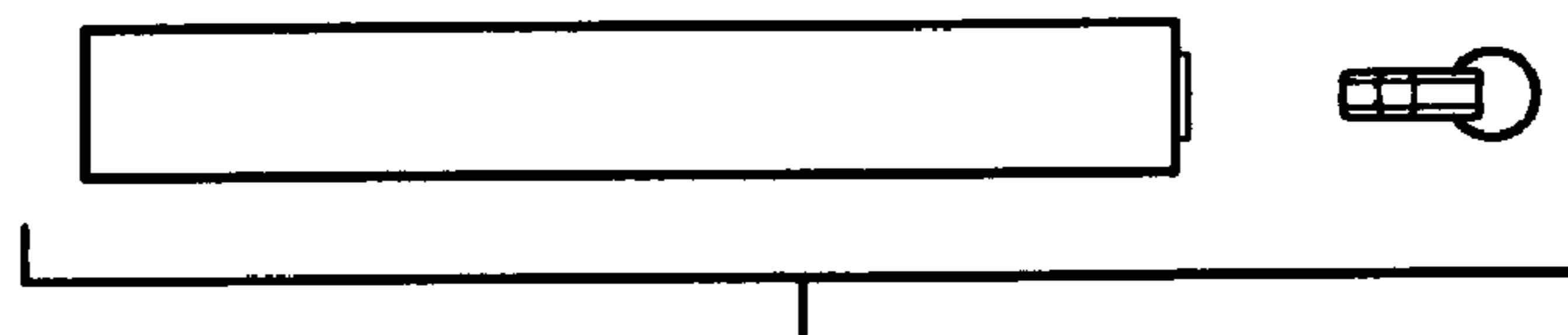


FIG. 13

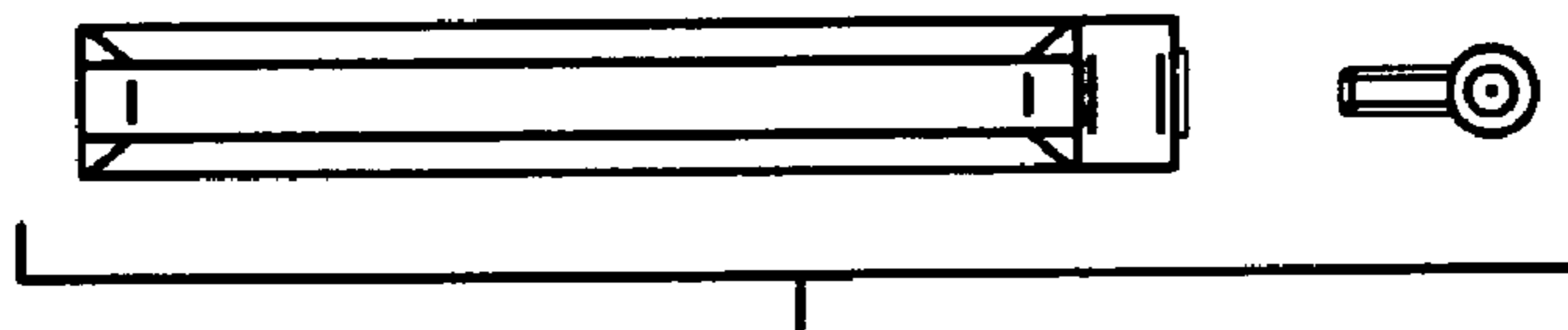


FIG. 14