



US00D614183S

(12) **United States Design Patent**
Mason

(10) **Patent No.:** **US D614,183 S**

(45) **Date of Patent:** **** Apr. 20, 2010**

(54) **ELECTRONIC PORTABLE READER**

(76) Inventor: **Marcus A. Mason**, 1255 S. Orange St.,
Glendale, CA (US) 91204

(**) Term: **14 Years**

(21) Appl. No.: **29/303,001**

(22) Filed: **Jan. 30, 2008**

(51) **LOC (9) Cl.** **14-02**

(52) **U.S. Cl.** **D14/345**

(58) **Field of Classification Search** D14/341-347,
D14/138.1, 138 AA, 138 R, 138 AB, 138 AC,
D14/138 AD, 138 C, 138 G, 496, 203.1,
D14/203.3, 203.4, 203.5, 203.6, 203.7, 426,
D14/427, 428, 432, 429, 123, 130, 420, 439-441,
D14/448, 125, 137, 138, 147, 156, 218, 247-248,
D14/250, 389; D10/65, 101; D18/6-7; D21/29,
D21/686, 33, 324, 329, 330; D6/596, 601,
D6/605; D19/60; 455/556.1, 556.2, 566,
455/575.1, 575.3, 575.4, 90.3, 6.1; 379/433.04,
379/433.07, 433.11, 433.12, 433.13, 910,
379/916, 433.01, 433.06; 345/169, 901,
345/905; 348/169; 361/814; 341/122; 346/173
See application file for complete search history.

(56) **References Cited**

U.S. PATENT DOCUMENTS

D402,310 S * 12/1998 Hendricks D14/345

D428,004 S * 7/2000 Colvin D14/345
D491,942 S * 6/2004 Takahashi D14/374
D493,463 S * 7/2004 Takahashi D14/373
D495,693 S * 9/2004 Yonekawa et al. D14/345
D523,853 S * 6/2006 Ishikawa et al. D14/345
D584,302 S * 1/2009 Sogabe D14/341

* cited by examiner

Primary Examiner—Cathron C Brooks

Assistant Examiner—Barbara Fox

(57) **CLAIM**

I claim, the ornamental design for the electronic portable reader, as shown and described.

DESCRIPTION

FIG. 1 is a front elevational view of the electronic portable reader showing my new design;

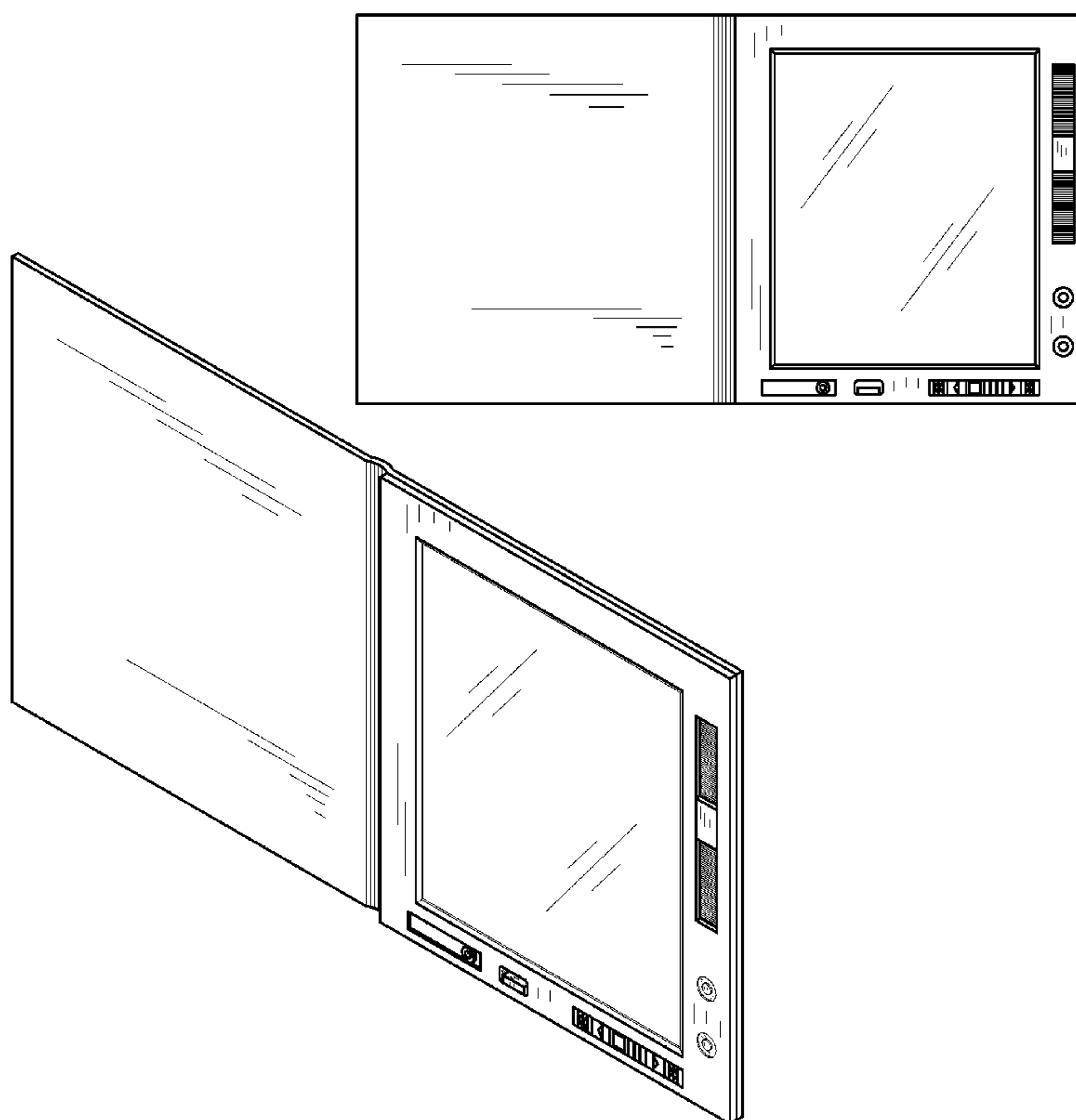
FIG. 2 is a rear elevational view of the electronic portable reader thereof;

FIG. 3 is a left-side elevational view of the electronic portable reader thereof;

FIG. 4 is a top plan view of the electronic portable reader thereof; and,

FIG. 5 is a perspective view of the electronic portable reader thereof.

1 Claim, 3 Drawing Sheets



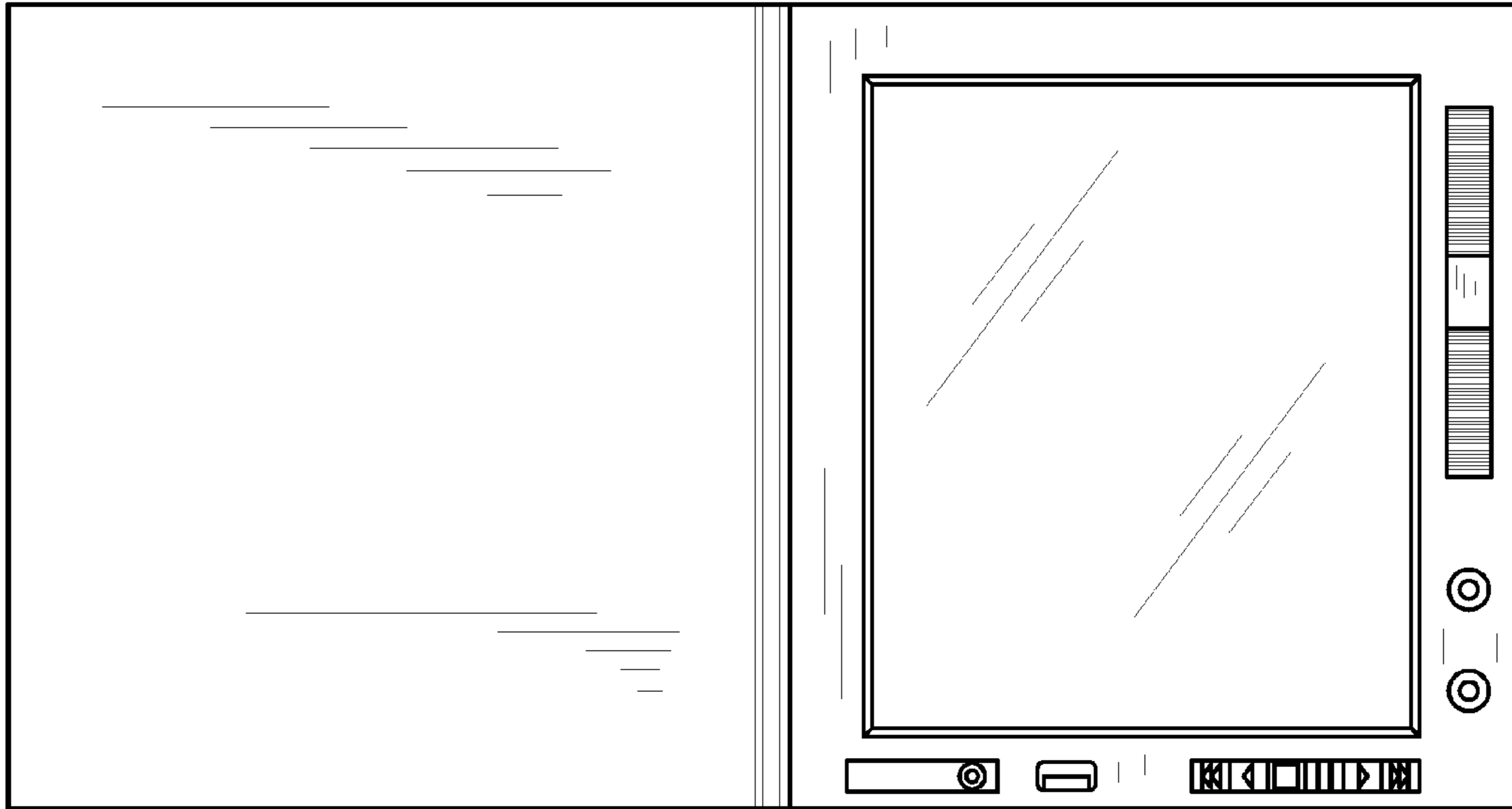


FIG. 1

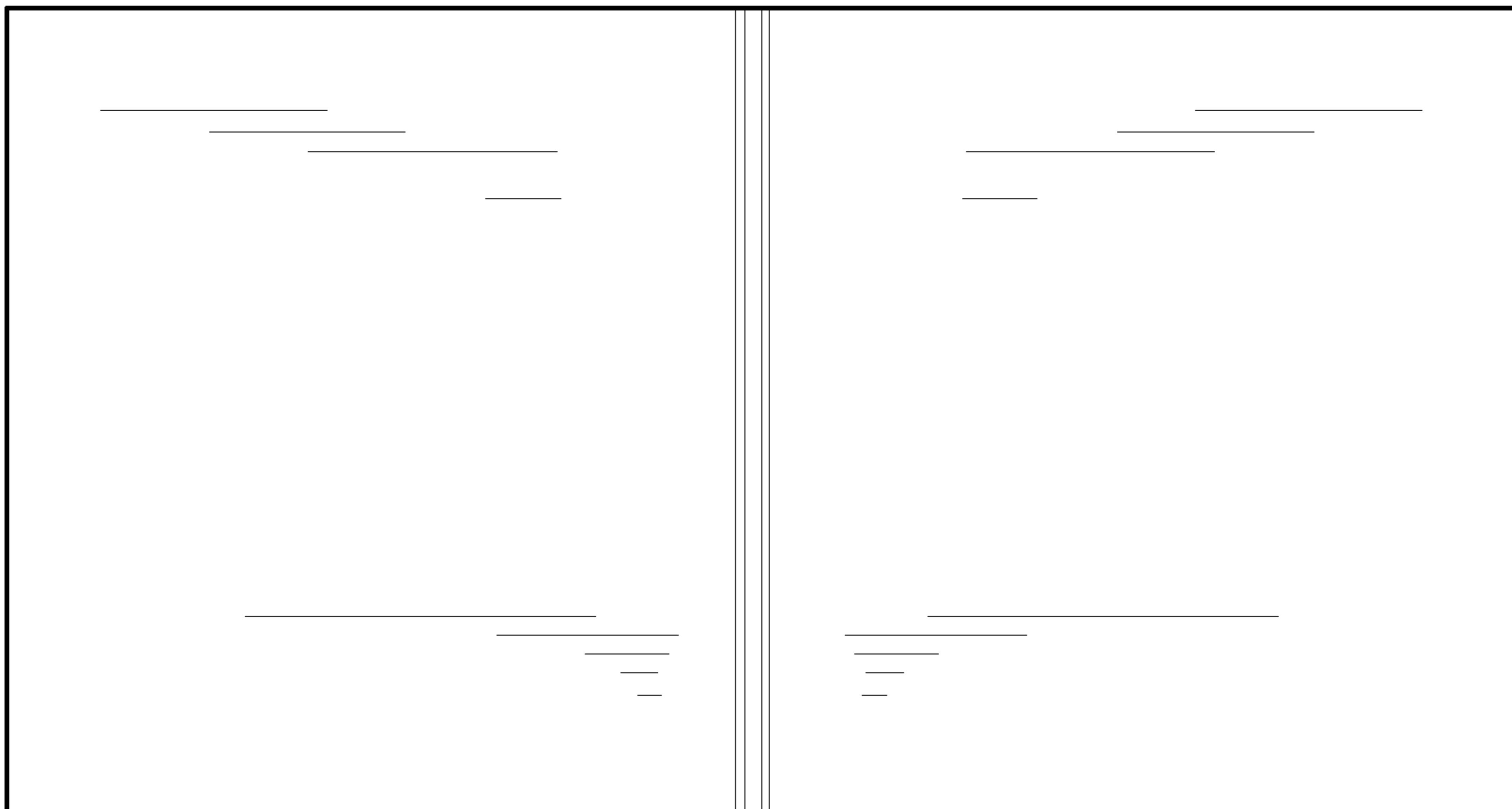


FIG. 2



FIG. 3



FIG. 4

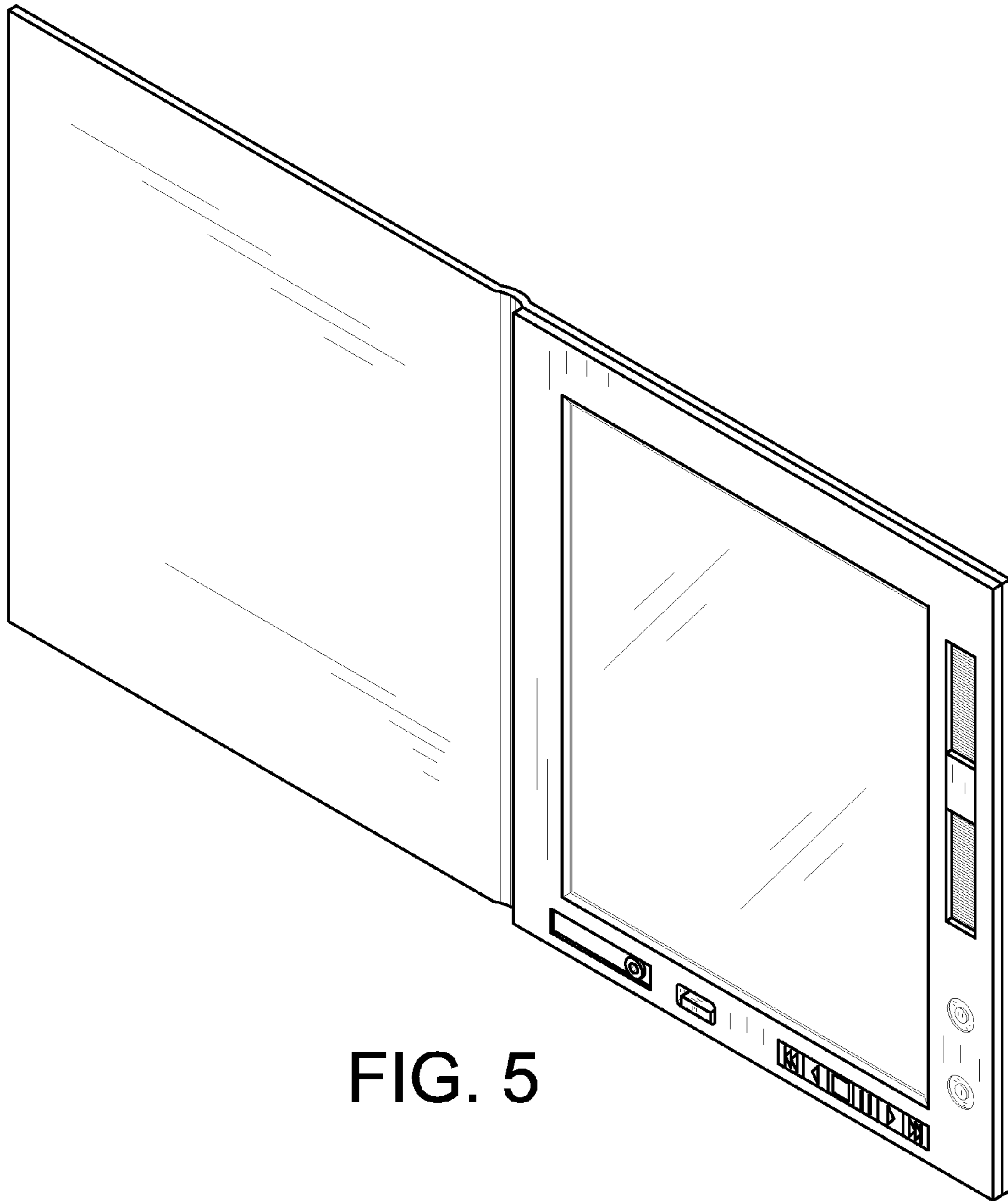


FIG. 5