



US00D614178S

(12) **United States Design Patent**
Nuovo et al.

(10) **Patent No.:** **US D614,178 S**
(45) **Date of Patent:** **** Apr. 20, 2010**

(54) **HANDSET BATTERY LATCH PANEL**

(75) Inventors: **Frank Nuovo**, Los Angeles, CA (US);
Jonathan Dry, Newbury Park, CA (US)

(73) Assignee: **Nokia Corporation**, Espoo (FI)

(**) Term: **14 Years**

(21) Appl. No.: **29/305,999**

(22) Filed: **Mar. 31, 2008**

(51) **LOC (9) Cl.** **14-03**

(52) **U.S. Cl.** **D14/248**

(58) **Field of Classification Search** D14/137,
D14/138 R, 138 AA, 138 AB, 138 AD, 138 C,
D14/138 G, 143-144, 147-148, 156, 218,
D14/247-248, 341-347, 390, 399, 455-456,
D14/496; D16/208, 219; D21/329, 331,
D21/333, 517; 348/14.01-14.02; 361/814;
379/433.01-433.13; 455/90.3, 556.1-556.2,
455/566, 575.1, 575.3, 575.4; D13/164,
D13/168, 103, 119; 439/165; 343/702; 345/167,
345/168, 169

See application file for complete search history.

(56) **References Cited**

U.S. PATENT DOCUMENTS

D413,857 S * 9/1999 Peterzell et al. D13/103
D434,016 S * 11/2000 Hunt D14/138 AA
D465,774 S * 11/2002 Nuovo D14/138 AA
D469,750 S * 2/2003 Nam D14/138 AA
D481,716 S * 11/2003 He et al. D14/248
D490,409 S * 5/2004 Mehandjiysky D14/248
D499,709 S * 12/2004 Nuovo et al. D14/138 AA
6,975,842 B2 * 12/2005 Chen 455/90.3
D515,534 S * 2/2006 Park et al. D14/138 AA
D531,177 S * 10/2006 Okanoya et al. D14/346
D538,770 S * 3/2007 Lyles D14/138 AA
D554,581 S * 11/2007 Aquillano D13/103
D568,849 S 5/2008 Nuovo

D576,129 S * 9/2008 Bjorninen D14/138 AA
D576,597 S * 9/2008 Lim et al. D14/138 AB
D578,502 S * 10/2008 Kim et al. D14/138 AA
D578,984 S * 10/2008 Oh et al. D14/138 AB

(Continued)

FOREIGN PATENT DOCUMENTS

WO DM/068212 * 10/2006

(Continued)

OTHER PUBLICATIONS

Vertu Ascent Ti, announced Jul. 2007, <URL:http://www.gsmarena.com/vertu_ascent_ti-pictures-2752.php>, retrieved from internet Aug. 8, 2009.*

(Continued)

Primary Examiner—Jeffrey D Asch
Assistant Examiner—Carla Jobe Wright
(74) *Attorney, Agent, or Firm*—Banner & Witcoff, Ltd.

(57) **CLAIM**

The ornamental design for a handset battery latch panel for a handset, as shown and described.

DESCRIPTION

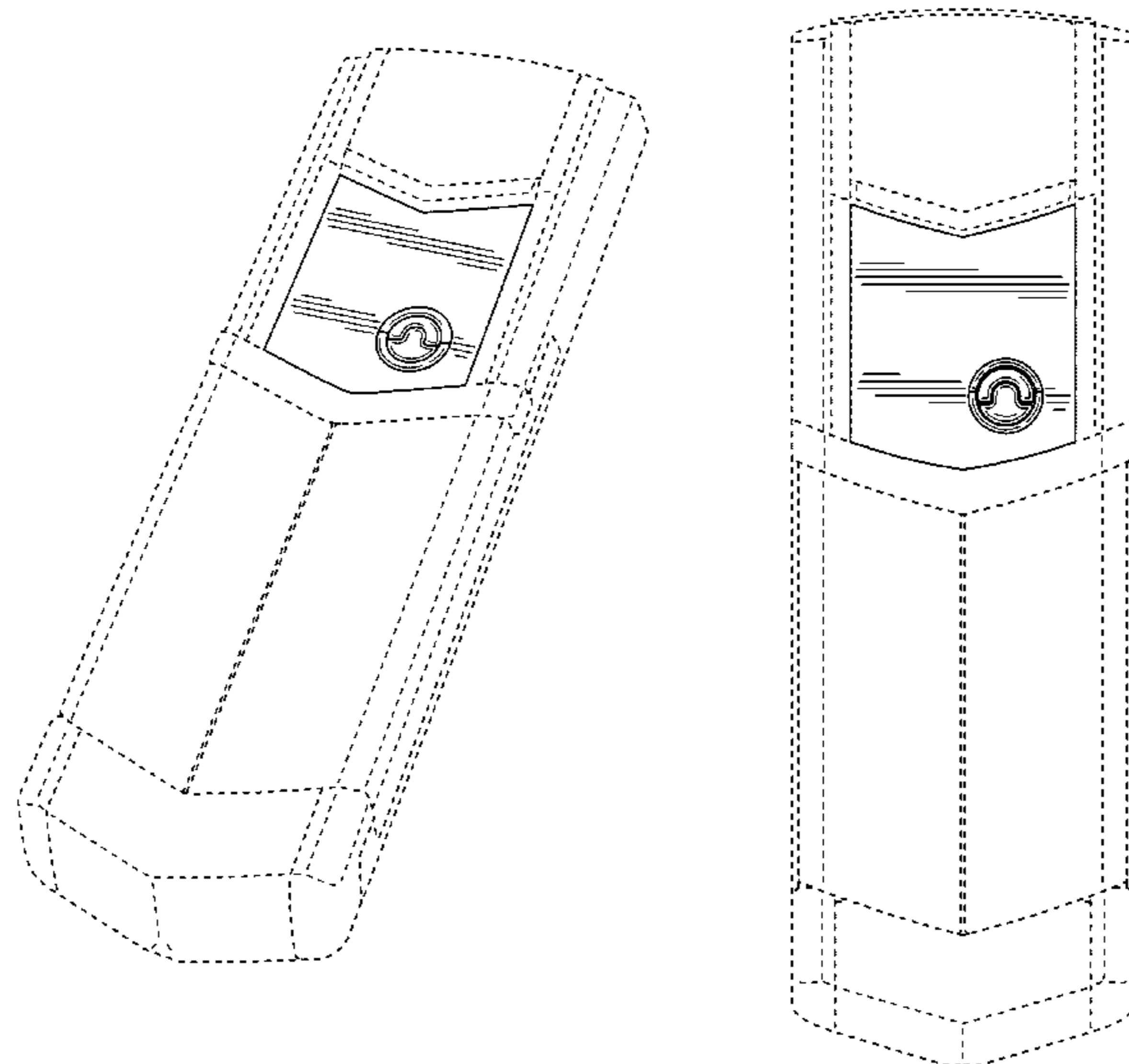
FIG. 1 is a front perspective view of a handset battery latch panel showing my new design; and,

FIG. 2 is a front view thereof.

The broken line showing of the environmental structures of the handset is for illustrative purposes only and forms no part of the claimed design.

The features within the periphery of the outermost circle, near the bottom right side of the handset battery latch panel, protrude slightly from the surrounding surface. The surfaces of the features within the circular periphery have edges with rounded contours.

1 Claim, 2 Drawing Sheets



U.S. PATENT DOCUMENTS

D580,404 S * 11/2008 Lim et al. D14/138 AA
D580,405 S * 11/2008 Lim et al. D14/138 AA
D581,895 S * 12/2008 Oh et al. D14/138 AB
D584,275 S * 1/2009 Tkachuk D14/138 AD
D589,025 S * 3/2009 Sterzick D14/138 AB
D590,795 S * 4/2009 Tkachuk D14/138 AB
D591,705 S * 5/2009 Kim et al. D14/138 AB
D593,052 S * 5/2009 Hung D14/138 AA
D597,046 S * 7/2009 Millora D14/138 AA
D599,788 S * 9/2009 Nuovo D14/248
D605,618 S * 12/2009 Nuovo et al. D14/138 AA
2003/0022633 A1* 1/2003 Chen 455/90

FOREIGN PATENT DOCUMENTS

WO DM/069695 * 12/2007
WO DM/071193 * 9/2008

OTHER PUBLICATIONS

Vertu Constellation, announced Oct. 2006, <URL:http://www.gsmarena.com/vertu_constellation-pictures-1766.php>, retrieved from internet Aug. 8, 2009.*

Vertu Signature S, announced 2007, <URL:http://www.gsmarena.com/vertu_signature_s-2753.php>, retrieved from internet Aug. 14, 2009, <URL:http://www.gsmarena.com/vertu_signature_s-pictures-2753.php>, retrieved from internet Aug. 14, 2009.*

Vertu's Signature S Design is real, hits FCC, posted Sep. 12, 2008, <URL:<http://www.engadgetmobile.com/2008/09/12/vertus-3g-signature-is-real-hits-fcc/>>, retrieved from internet Aug. 14, 2009.*

Vertu Signature S Design Specification, announced Sep. 15, 2008, <URL:http://www.gsmprofile.com/phone/vertu/vertu_signature_s_design.php>, retrieved from internet Aug. 14, 2009.*

Vertu Signature S Design Specification, announced Sep. 15, 2008, <URL:<http://www.engadgetmobile.com/2008/09/12/vertus-3g-signature-is-real-hits-fcc/>>, retrieved from internet Dec. 11, 2009.*

Vertu Signature, 1 color sheet of photographs, disclosed on or about 2006.

* cited by examiner

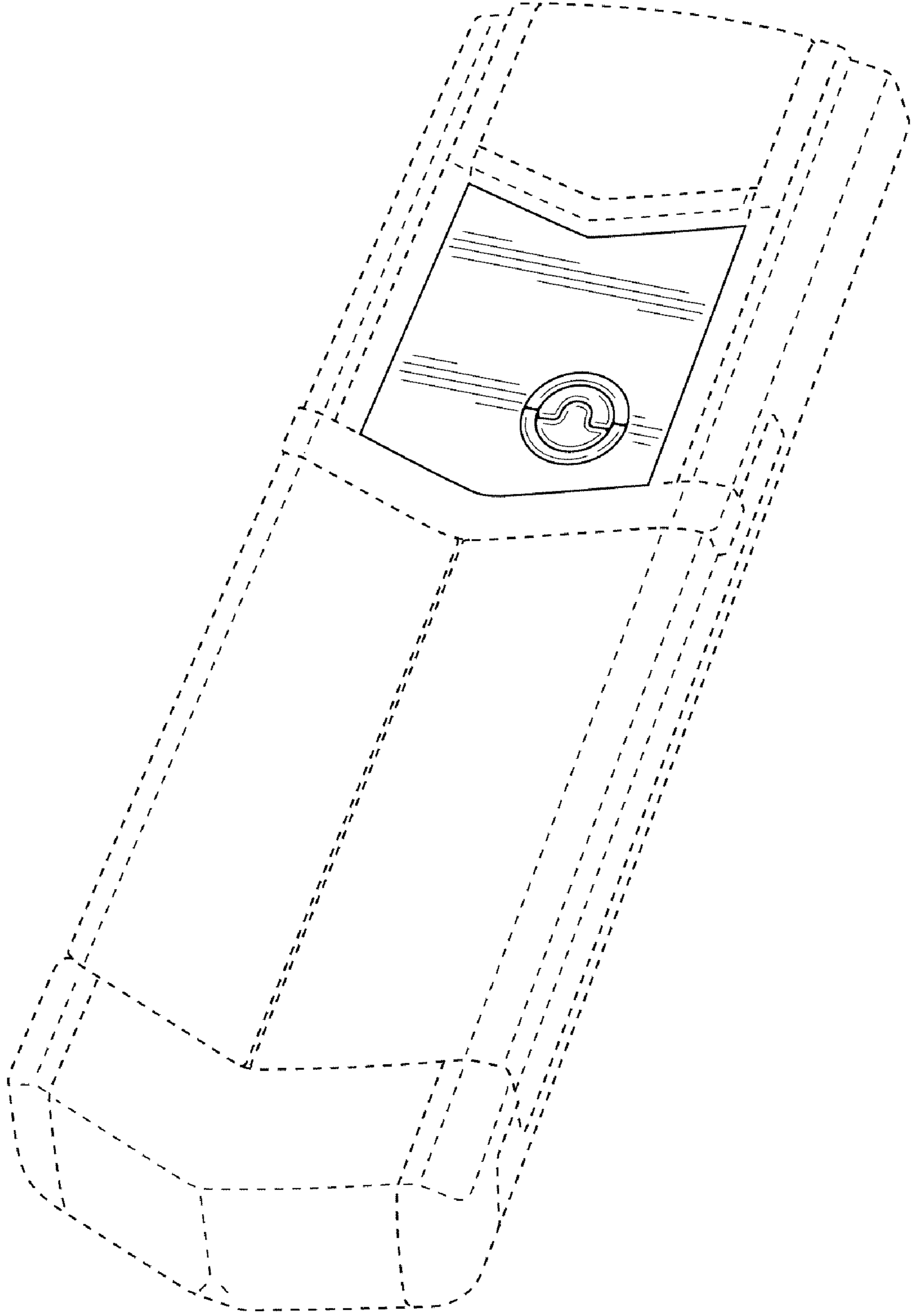


FIG. 1

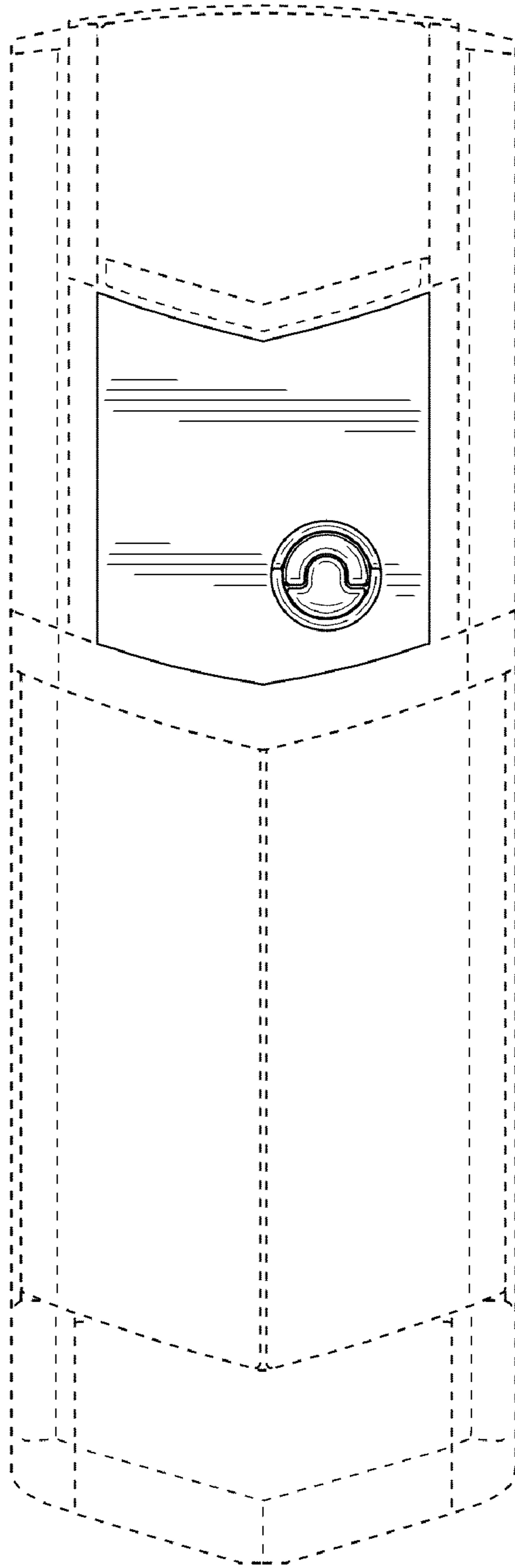


FIG. 2