



US00D614176S

(12) **United States Design Patent**  
**Yokota**

(10) **Patent No.:** **US D614,176 S**

(45) **Date of Patent:** **\*\* \*Apr. 20, 2010**

(54) **TELEVISION RECEIVER**

(75) Inventor: **Hiroaki Yokota**, Tokyo (JP)

(73) Assignee: **Sony Corporation**, Tokyo (JP)

(\*) Notice: This patent is subject to a terminal disclaimer.

(\*\*) Term: **14 Years**

(21) Appl. No.: **29/290,475**

(22) Filed: **Dec. 10, 2007**

(30) **Foreign Application Priority Data**

Jun. 13, 2007 (JP) ..... D2007-015722

(51) **LOC (9) Cl.** ..... **14-03**

(52) **U.S. Cl.** ..... **D14/239**

(58) **Field of Classification Search** ..... D14/239,  
D14/451-454, 224, 316, 375-377, 432, 439,  
D14/447, 448, 455, 457, 469, 125-134; D8/363,  
D8/373, 349, 394; 248/126, 278.1, 279.1,  
248/514, 291.1, 125.1, 121, 124.1, 125.7,  
248/276.1, 415, 284.1, 286.1, 281.11, 292.11,  
248/181.2, 917-921, 127, 128, 133, 178.1,  
248/183.1, 183.2, 346.01, 349.1, 371, 473,  
248/474, 512; 348/825, 827, 836, 837; 600/443  
See application file for complete search history.

(56) **References Cited**

**U.S. PATENT DOCUMENTS**

D217,225 S \* 4/1970 Fitsimmons ..... D8/373  
4,278,225 A \* 7/1981 Phelps ..... 248/311.3  
D312,205 S \* 11/1990 de Rooij ..... D8/373  
D317,910 S \* 7/1991 Hawkins et al. .... D14/447  
D400,781 S \* 11/1998 Wilkening et al. .... D8/381

D421,383 S \* 3/2000 Walker et al. .... D8/373  
D447,047 S \* 8/2001 Clifford ..... D8/373  
D453,022 S 1/2002 Oba  
D462,359 S \* 9/2002 Scharer et al. .... D14/451  
D526,291 S 8/2006 Anzures  
D539,273 S 3/2007 Fujii

**FOREIGN PATENT DOCUMENTS**

JP D1155176 S 10/2002  
JP D1176244 S 6/2003  
JP D12214477 S 11/2004  
KR D30-0334382 S 10/2003

\* cited by examiner

*Primary Examiner*—Raphael Barkai

*Assistant Examiner*—Randall H Gholson

(74) *Attorney, Agent, or Firm*—Rader, Fishman & Grauer, PLLC

(57) **CLAIM**

The ornamental design for a television receiver, as shown and described.

**DESCRIPTION**

FIG. 1 is a front perspective view of a television receiver showing my new design;

FIG. 2 is a front elevational view thereof;

FIG. 3 is a rear elevational view thereof;

FIG. 4 is a left side elevational view thereof;

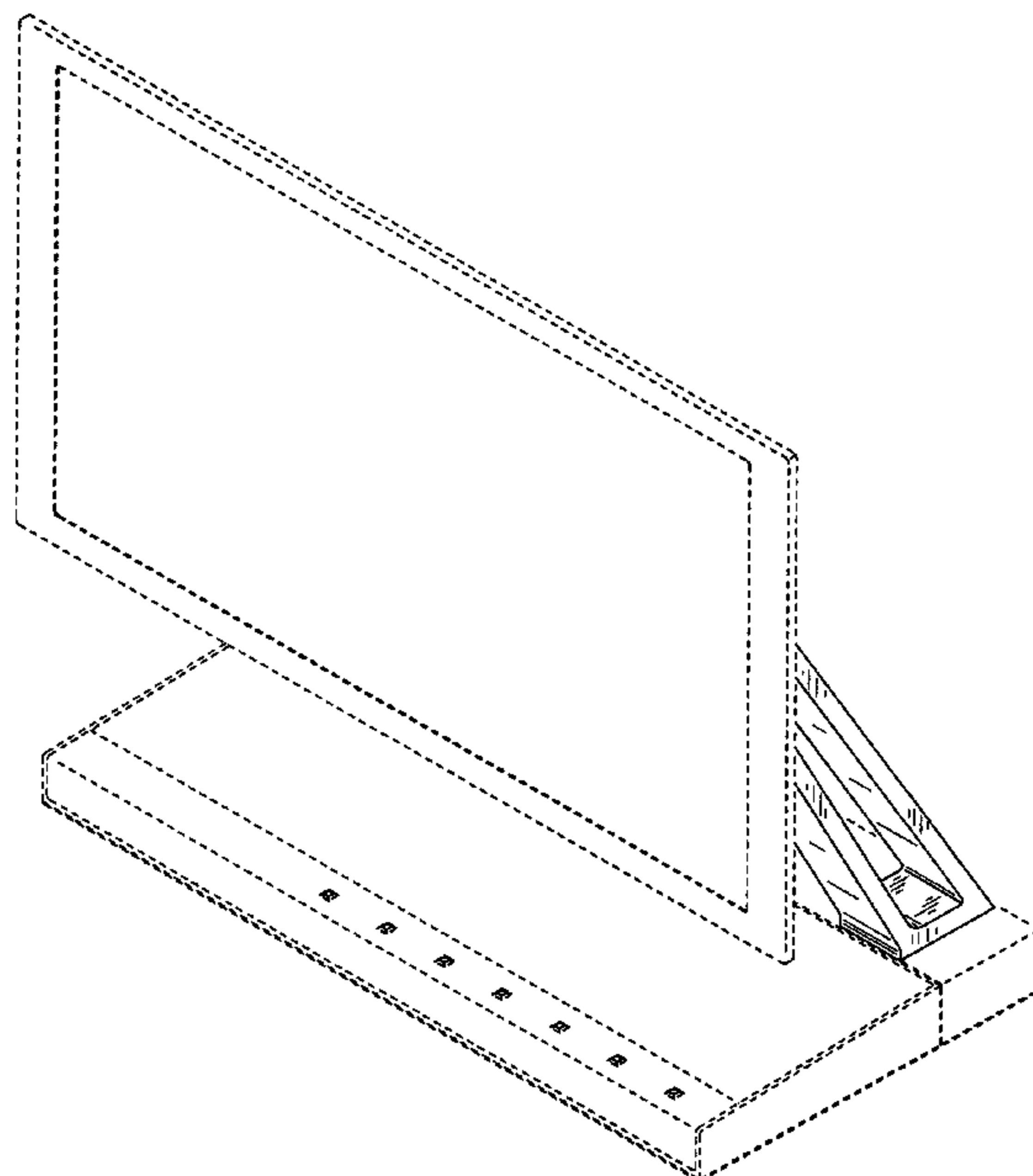
FIG. 5 is a right side elevational view thereof; and

FIG. 6 is a top plan view thereof; and,

FIG. 7 is a bottom plan view thereof.

The portions indicated in broken lines are for illustrative purposes only and form no part of the claimed design.

**1 Claim, 7 Drawing Sheets**



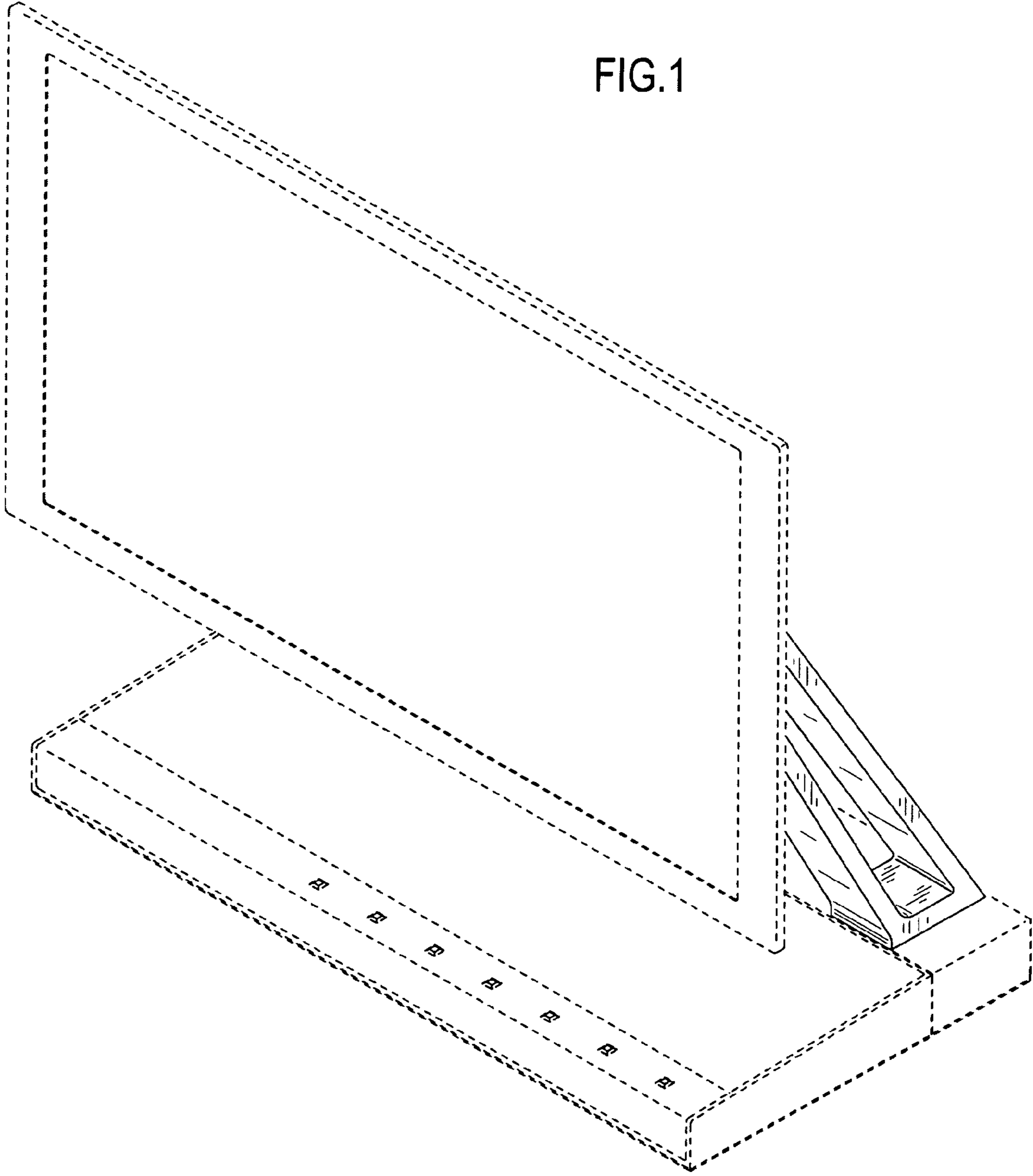


FIG. 1

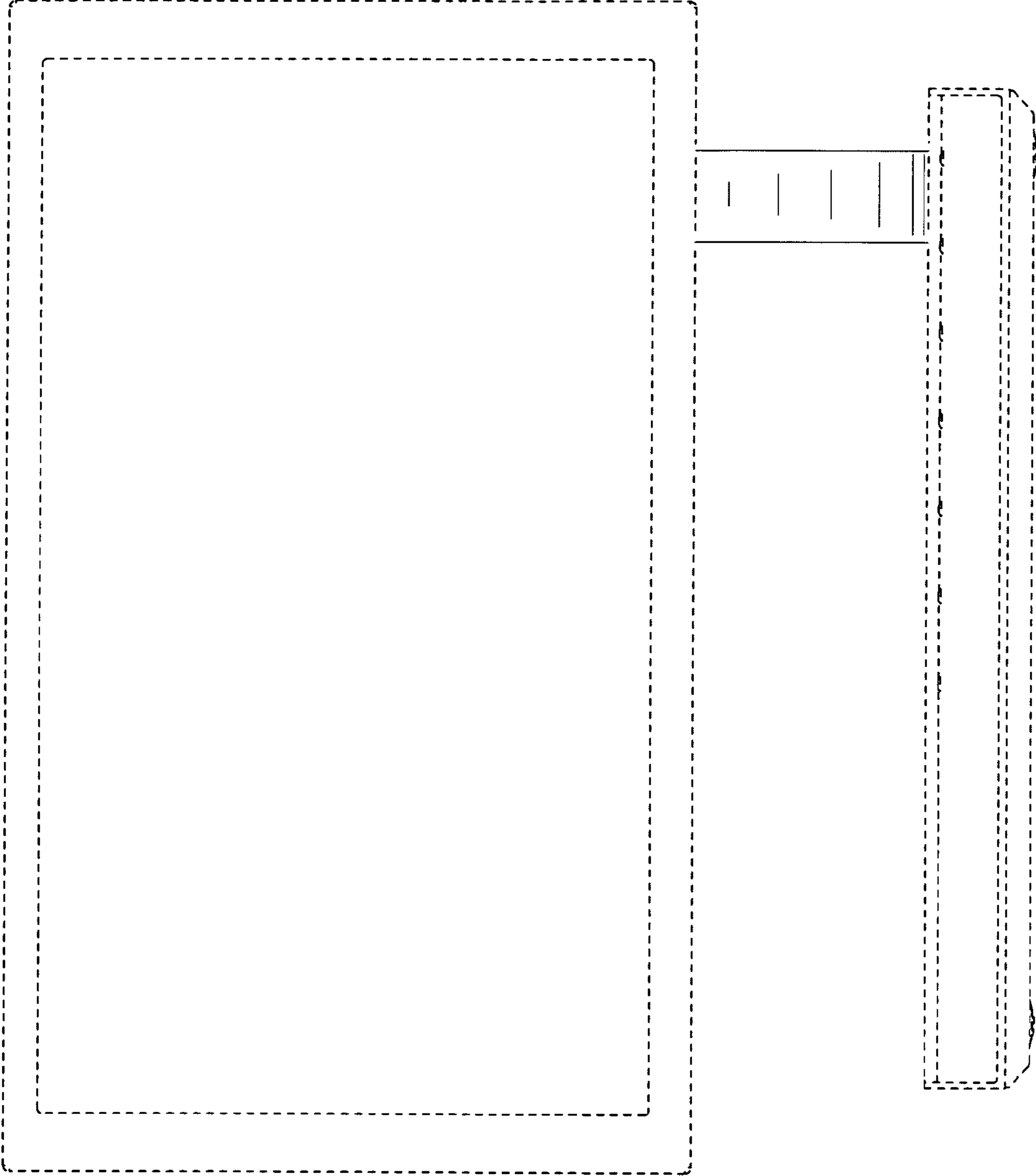


FIG. 2

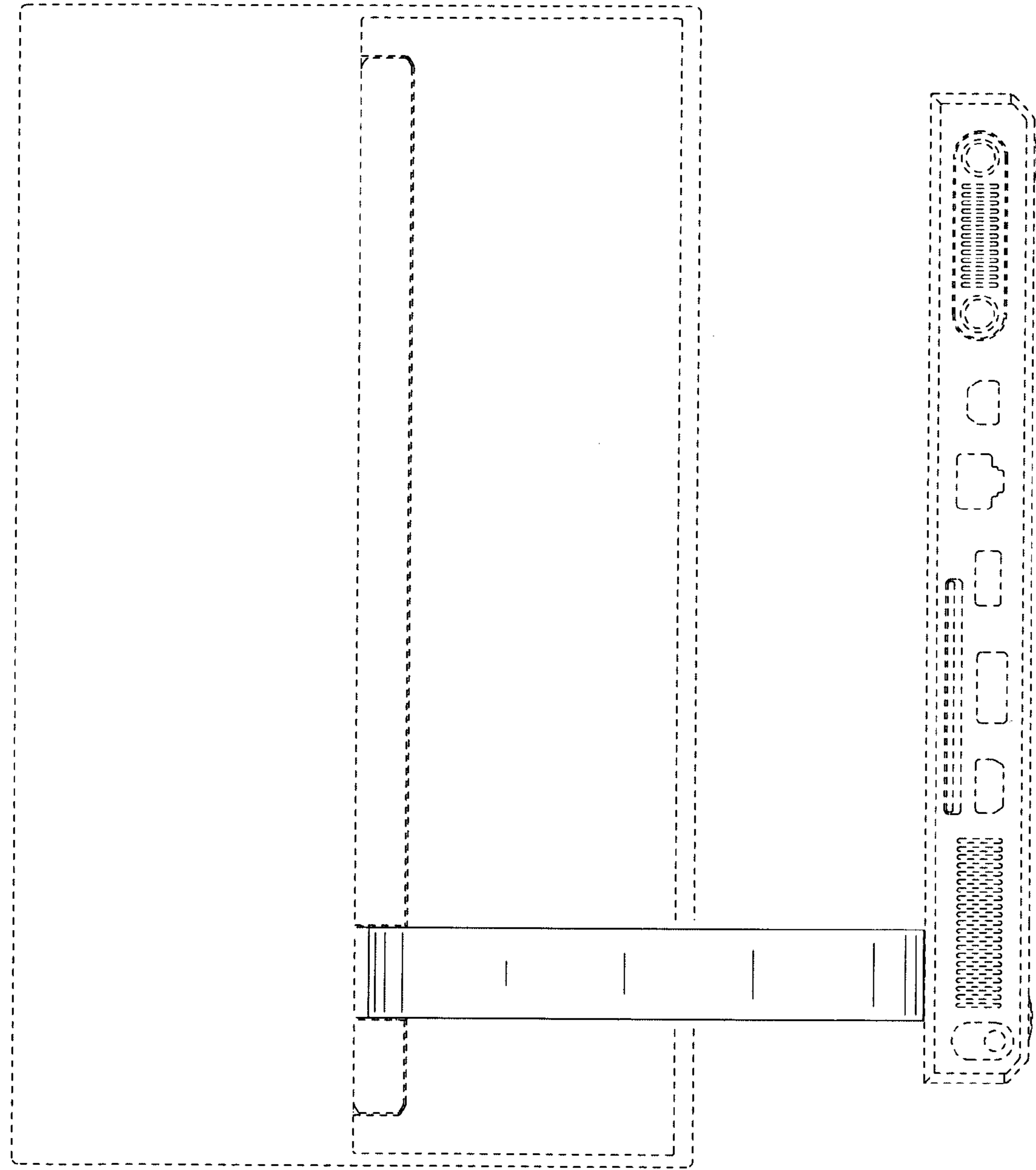


FIG. 3

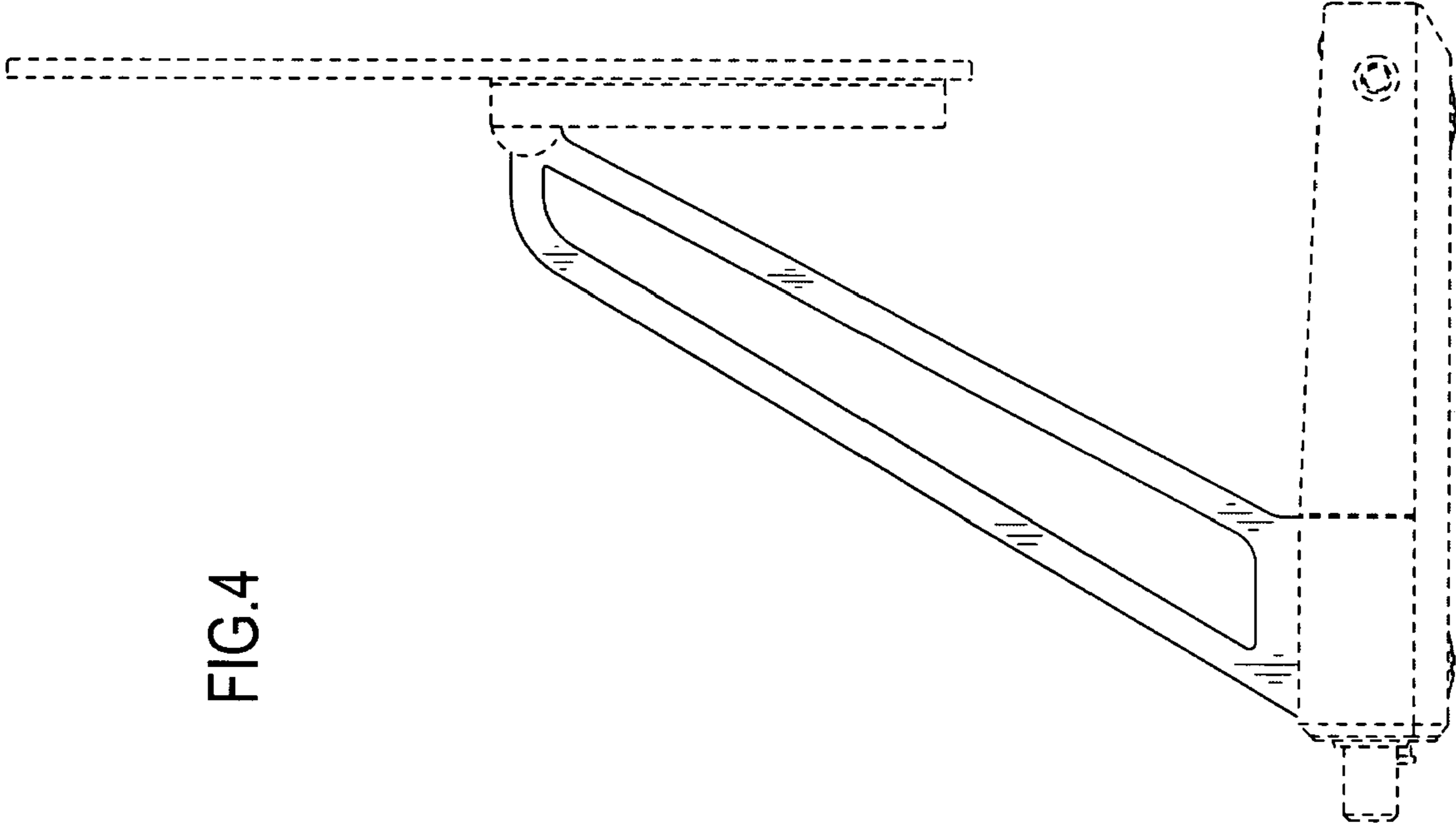


FIG.4

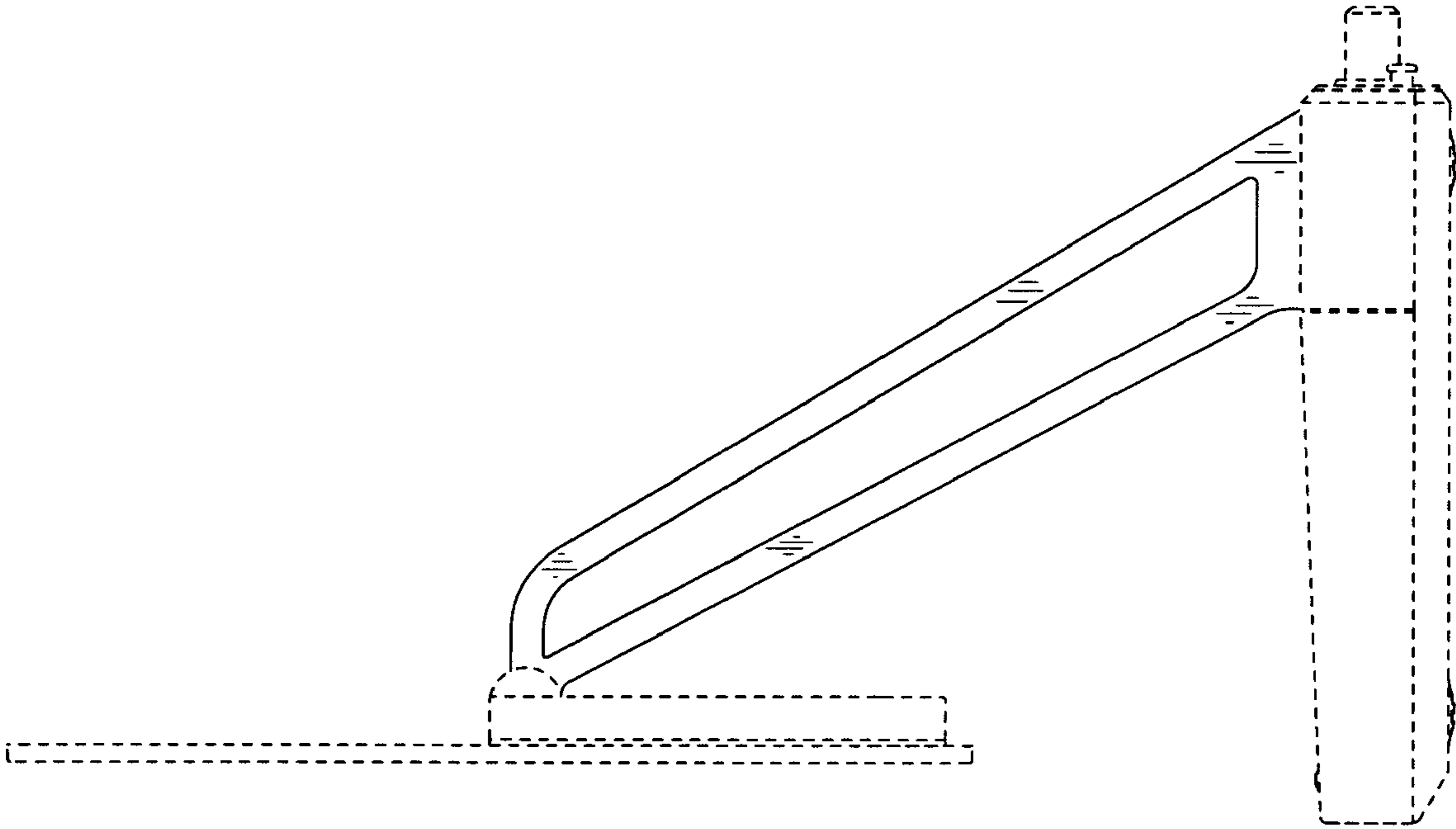


FIG.5

FIG.6

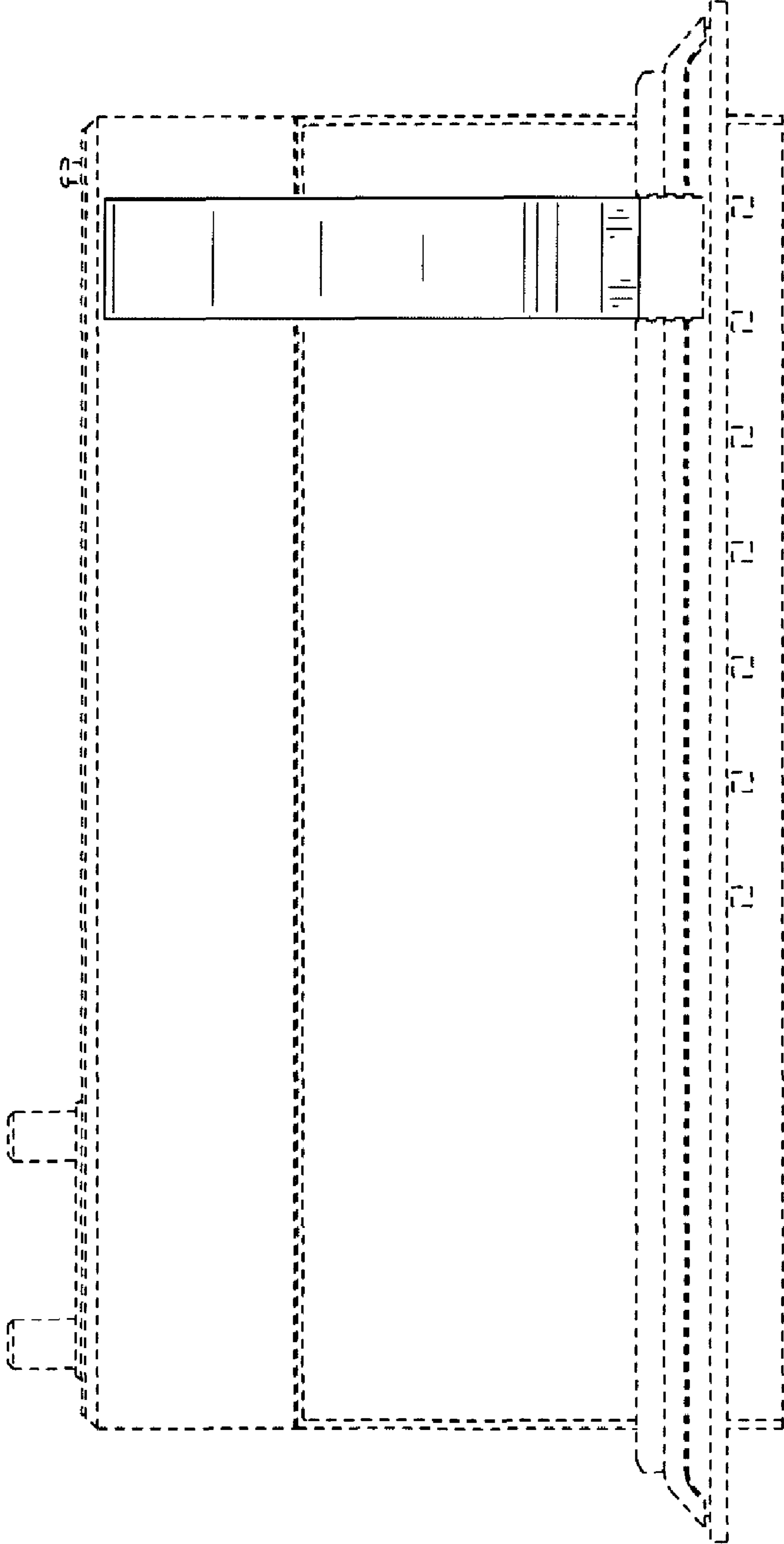


FIG.7

