



US00D614171S

(12) **United States Design Patent**  
**Son et al.**

(10) **Patent No.:** **US D614,171 S**  
(45) **Date of Patent:** **\*\* Apr. 20, 2010**

(54) **REMOTE CONTROLLER**

(75) Inventors: **Sung Ho Son**, Redmond, WA (US);  
**Gregory G. Jones**, Seattle, WA (US);  
**Steven W. Fisher**, Edmonds, WA (US)

(73) Assignee: **Microsoft Corporation**, Redmond, WA  
(US)

(\*\*) Term: **14 Years**

(21) Appl. No.: **29/341,664**

(22) Filed: **Aug. 10, 2009**

(51) **LOC (9) Cl.** ..... **14-03**

(52) **U.S. Cl.** ..... **D14/218**

(58) **Field of Classification Search** ..... D14/218,  
D14/455; D13/168; D21/566; D10/104,  
D10/106; 345/169; 348/14.05, 114, 211.99,  
348/734; 340/825.24; 341/22; 455/92, 95,  
455/128, 151.1–151.4, 352, 355, FOR. 121;  
700/65

See application file for complete search history.

(56) **References Cited**

**U.S. PATENT DOCUMENTS**

D282,162	S	*	1/1986	Grimes	.....	D14/214
D325,559	S	*	4/1992	Rosenbaum et al.	.....	D13/171
D391,924	S	*	3/1998	Mayo et al.	.....	D13/168
6,680,673	B1	*	1/2004	Wong	.....	340/825.69
D496,003	S	*	9/2004	Spira	.....	D13/168
D496,335	S	*	9/2004	Spira	.....	D13/168
D512,043	S	*	11/2005	Yagi	.....	D14/167
D525,948	S	*	8/2006	Blair et al.	.....	D13/168
D528,992	S	*	9/2006	Hobart et al.	.....	D13/168

D546,837	S	*	7/2007	Yeo	.....	D14/496
D556,210	S	*	11/2007	Choi et al.	.....	D14/496
D566,053	S	*	4/2008	Derocher et al.	.....	D13/174
D567,801	S	*	4/2008	Trappler	.....	D14/218
D573,577	S	*	7/2008	Huang	.....	D14/155
D577,715	S	*	9/2008	Lim et al.	.....	D14/240
D589,941	S	*	4/2009	Maier et al.	.....	D14/218
D592,611	S	*	5/2009	Altonen et al.	.....	D13/171
D596,623	S	*	7/2009	Laine	.....	D14/218

\* cited by examiner

*Primary Examiner*—T. Chase Nelson  
*Assistant Examiner*—John Windmuller

(74) *Attorney, Agent, or Firm*—Banner & Witcoff, Ltd.

(57) **CLAIM**

The ornamental design for a remote controller, as shown and described.

**DESCRIPTION**

FIG. 1 is a top perspective view of a remote controller showing our new design;

FIG. 2 is a top view thereof;

FIG. 3 is a right side view thereof;

FIG. 4 is a left side view thereof;

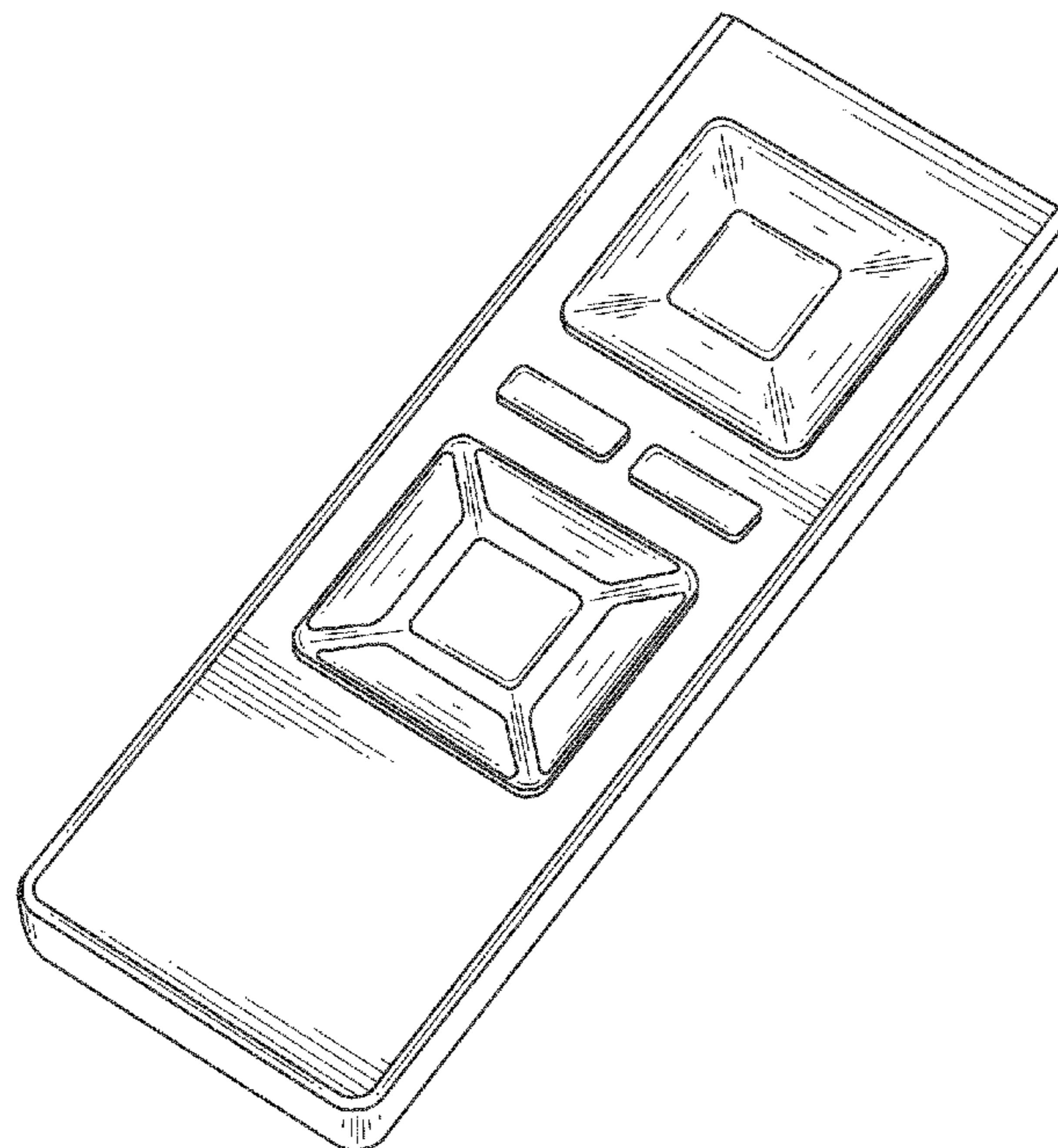
FIG. 5 is a front view thereof;

FIG. 6 is a rear view thereof; and,

FIG. 7 is a bottom view thereof.

In FIGS. 5 and 7, the surface indicated by the broken lines forms no part of the claimed design.

**1 Claim, 6 Drawing Sheets**



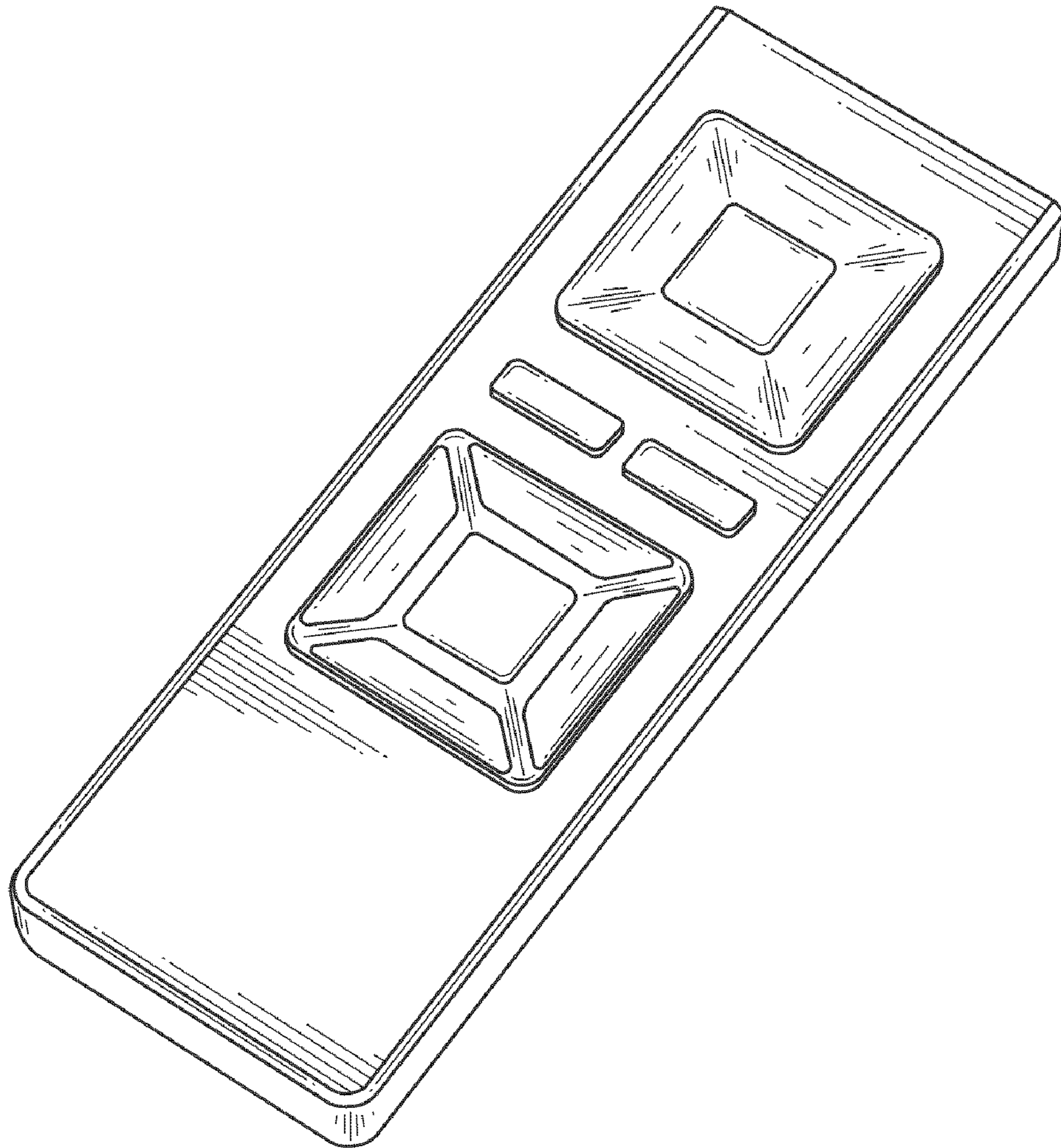


FIG. 1

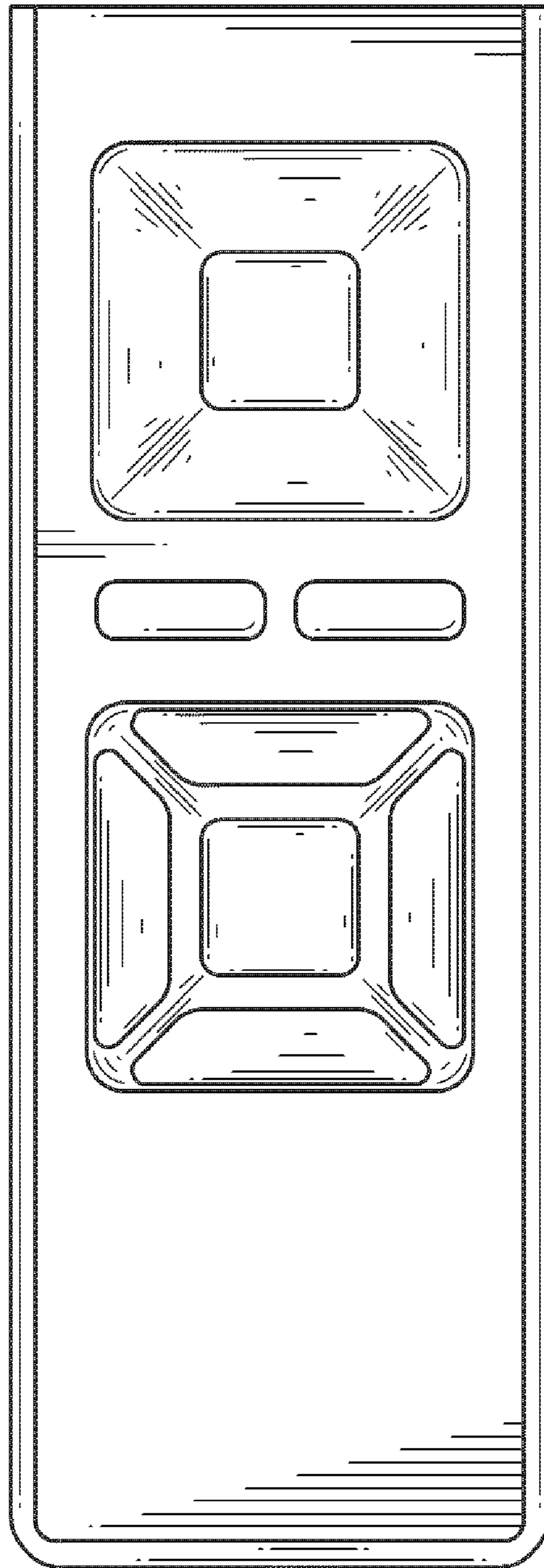


FIG. 2

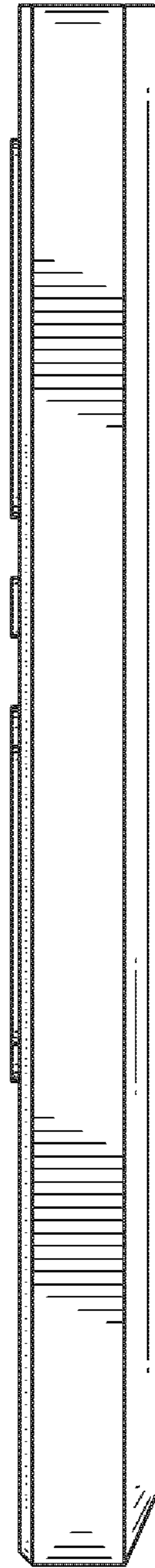


FIG. 3

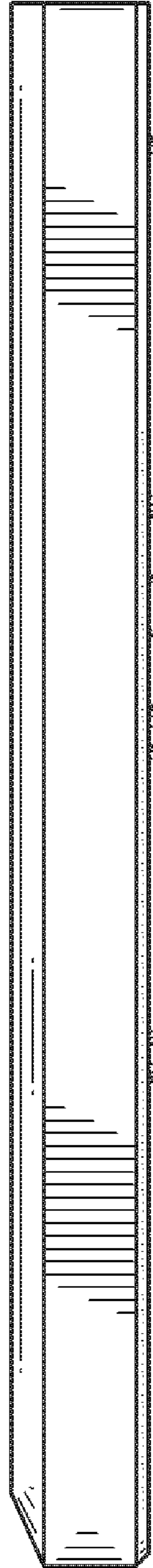


FIG. 4

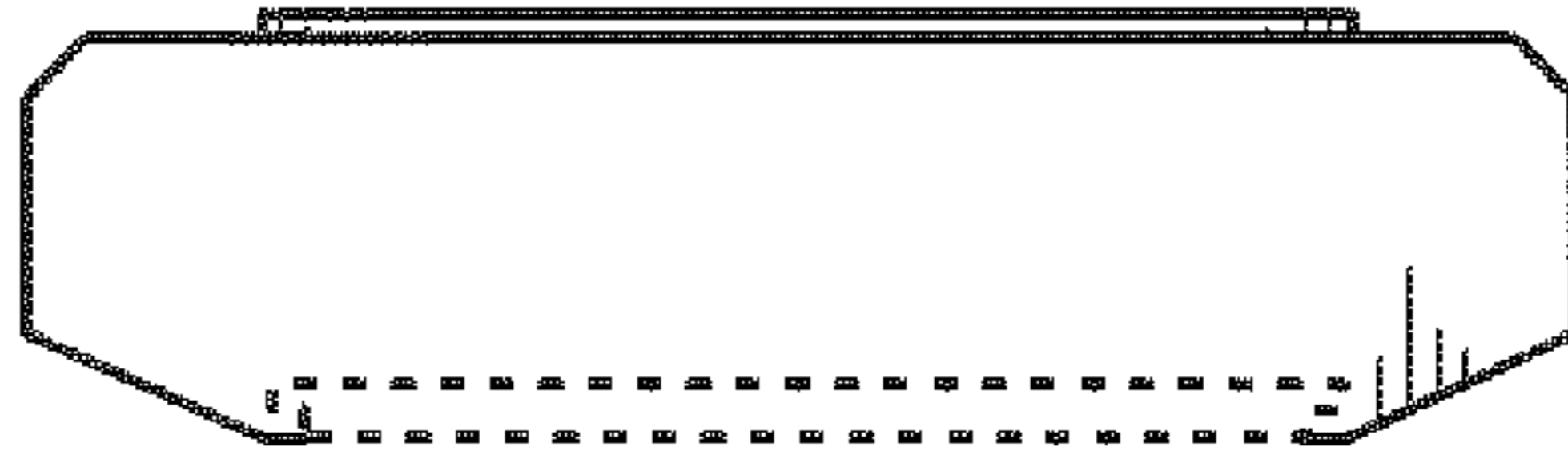


FIG. 5



FIG. 6

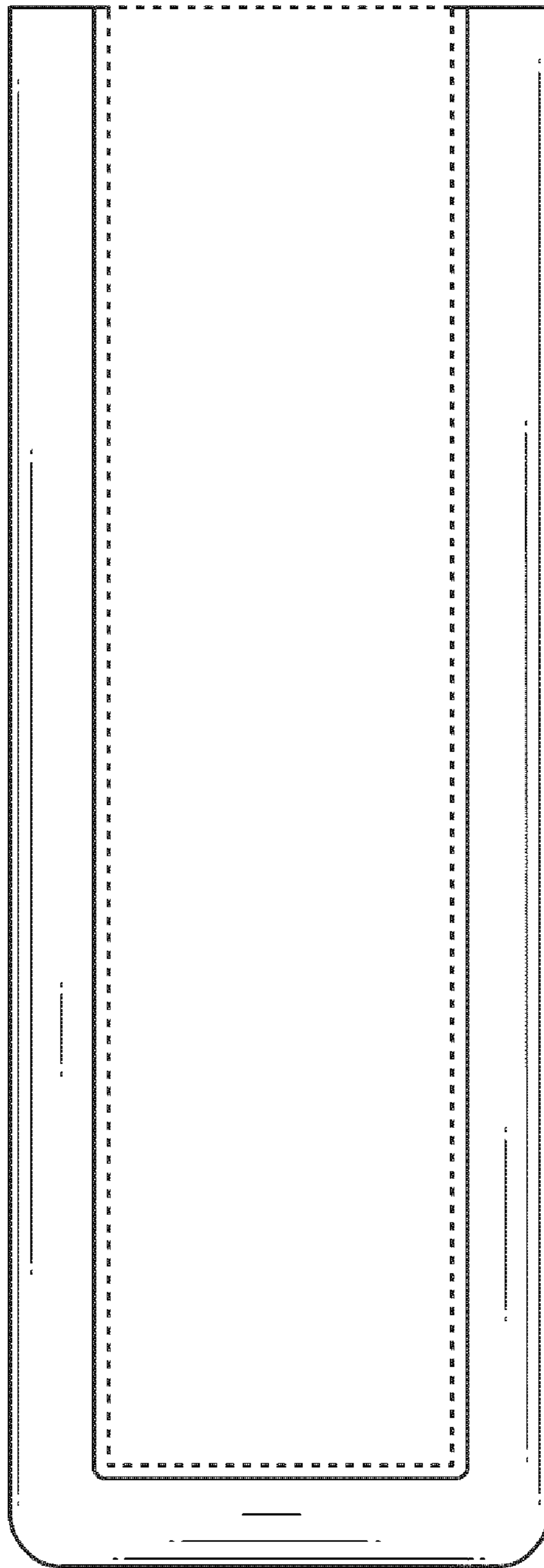


FIG. 7