



US00D614170S

(12) **United States Design Patent**
Nakashima et al.

(10) **Patent No.:** **US D614,170 S**
(45) **Date of Patent:** **** Apr. 20, 2010**

(54) **BUILT-IN TYPE SPEAKER FOR ELECTRONIC WHITE BOARD**

(75) Inventors: **Toshihiro Nakashima**, Osaka (JP);
Junichi Ogawa, Osaka (JP)

(73) Assignee: **Panasonic Corporation**, Osaka (JP)

(**) Term: **14 Years**

(21) Appl. No.: **29/335,158**

(22) Filed: **Apr. 9, 2009**

(30) **Foreign Application Priority Data**

Oct. 10, 2008 (JP) 2008-026300

(51) **LOC (9) Cl.** **14-01**

(52) **U.S. Cl.** **D14/214; D20/19**

(58) **Field of Classification Search** D14/204,
D14/207, 210–215, 168, 172; 181/143–144,
181/147–148, 150–153, 157, 198–199; 381/300–303,
381/306, 332–333, 336, 345, 361–364, 386–388;
D20/10, 19; D18/36, 39

See application file for complete search history.

(56) **References Cited**

U.S. PATENT DOCUMENTS

- D300,150 S 3/1989 Ishii
- D390,610 S * 2/1998 Wingerei D20/39
- D393,008 S 3/1998 Hiraguchi et al.
- D438,258 S 2/2001 Itoh et al.
- D499,076 S * 11/2004 Kita D14/126
- D501,186 S * 1/2005 Kita D14/126
- D558,736 S * 1/2008 Kita D14/214

D570,312 S * 6/2008 Kita D14/126

FOREIGN PATENT DOCUMENTS

JP D1334958 7/2008

OTHER PUBLICATIONS

A product catalogue “T-17SXLG” from Hitachi Software Engineering, Interactive White Board StarBoard Tablet Type, May 2008. Japanese Office Action mailed Apr. 28, 2009.

* cited by examiner

Primary Examiner—Nanda Bondade

(74) *Attorney, Agent, or Firm*—Brinks Hofer Gilson & Lione

(57) **CLAIM**

We claim the ornamental design for a built-in type speaker for electronic white board, as shown and described.

DESCRIPTION

FIG. 1 is a front perspective view of a built-in type speaker for electronic white board of the present invention;

FIG. 2 is a front view thereof;

FIG. 3 is a rear view thereof;

FIG. 4 is a first side view thereof;

FIG. 5 is a second side view thereof;

FIG. 6 is a top view thereof; and,

FIG. 7 is a bottom view thereof.

The broken line showing of built-in type speaker for electronic white board is included for the purpose of illustrating environment and forms no part of the claimed design. Additionally, the unevenly broken lines in the drawings define the limits of the claimed design.

1 Claim, 5 Drawing Sheets

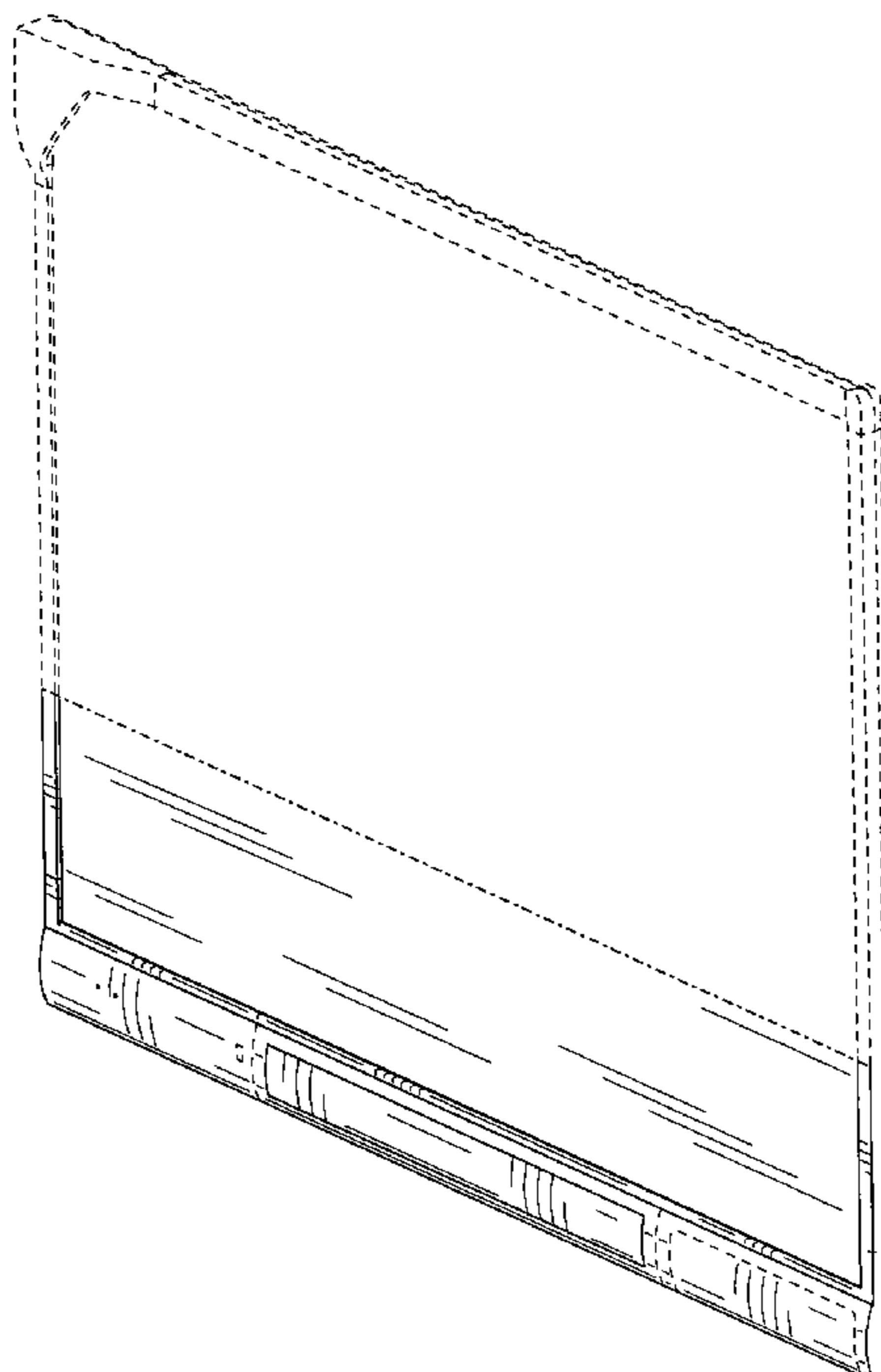


FIG.1

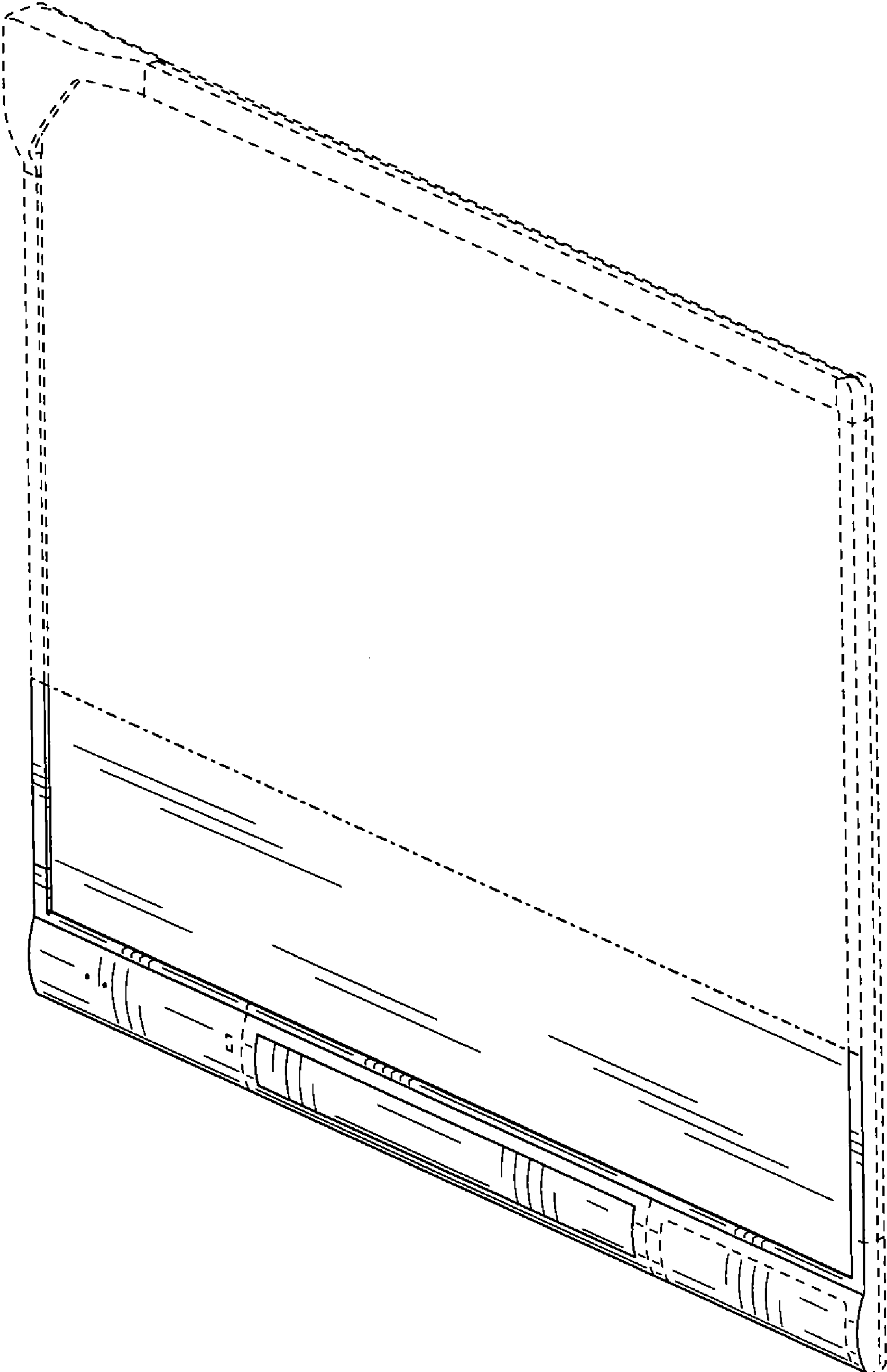


FIG.2

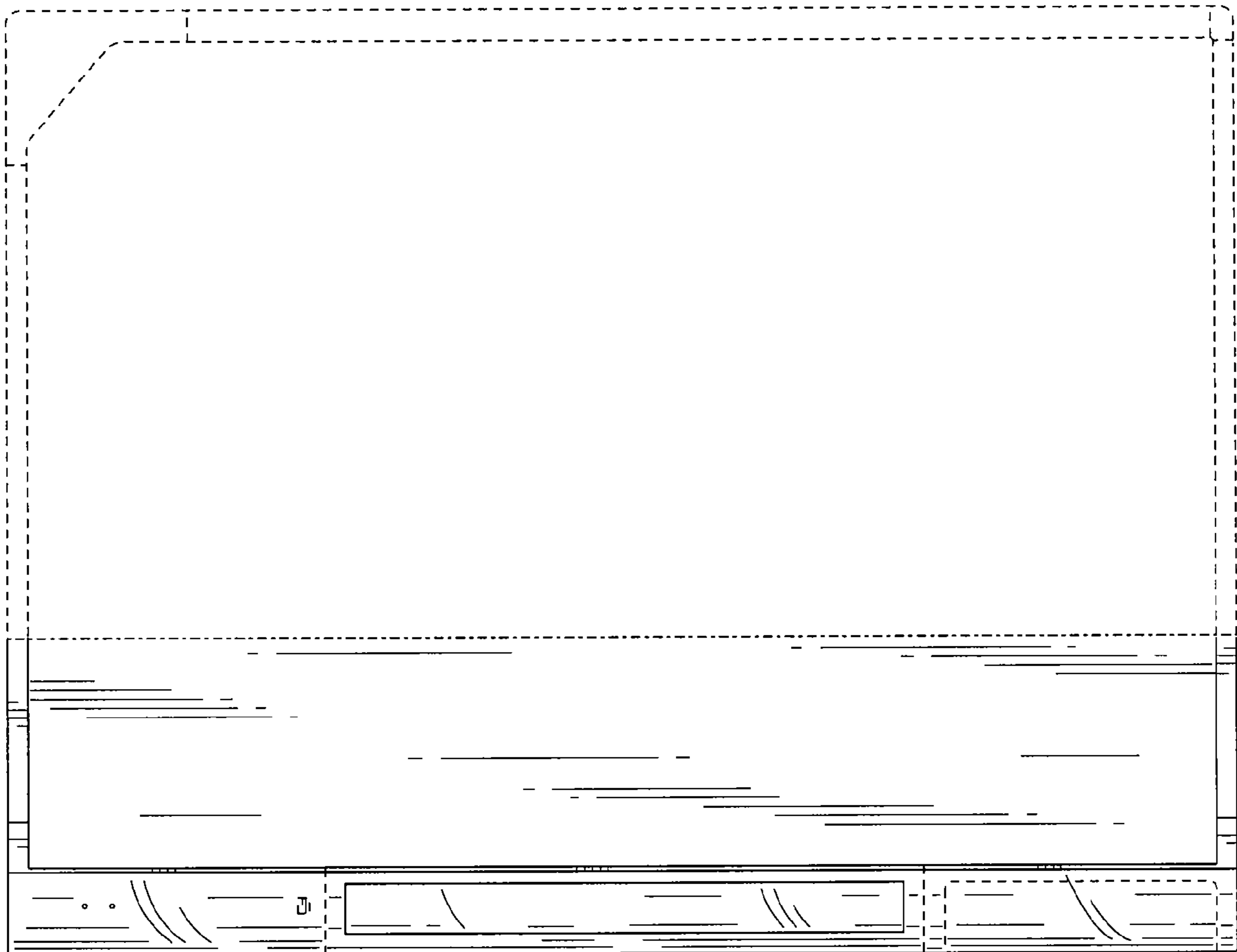


FIG.3

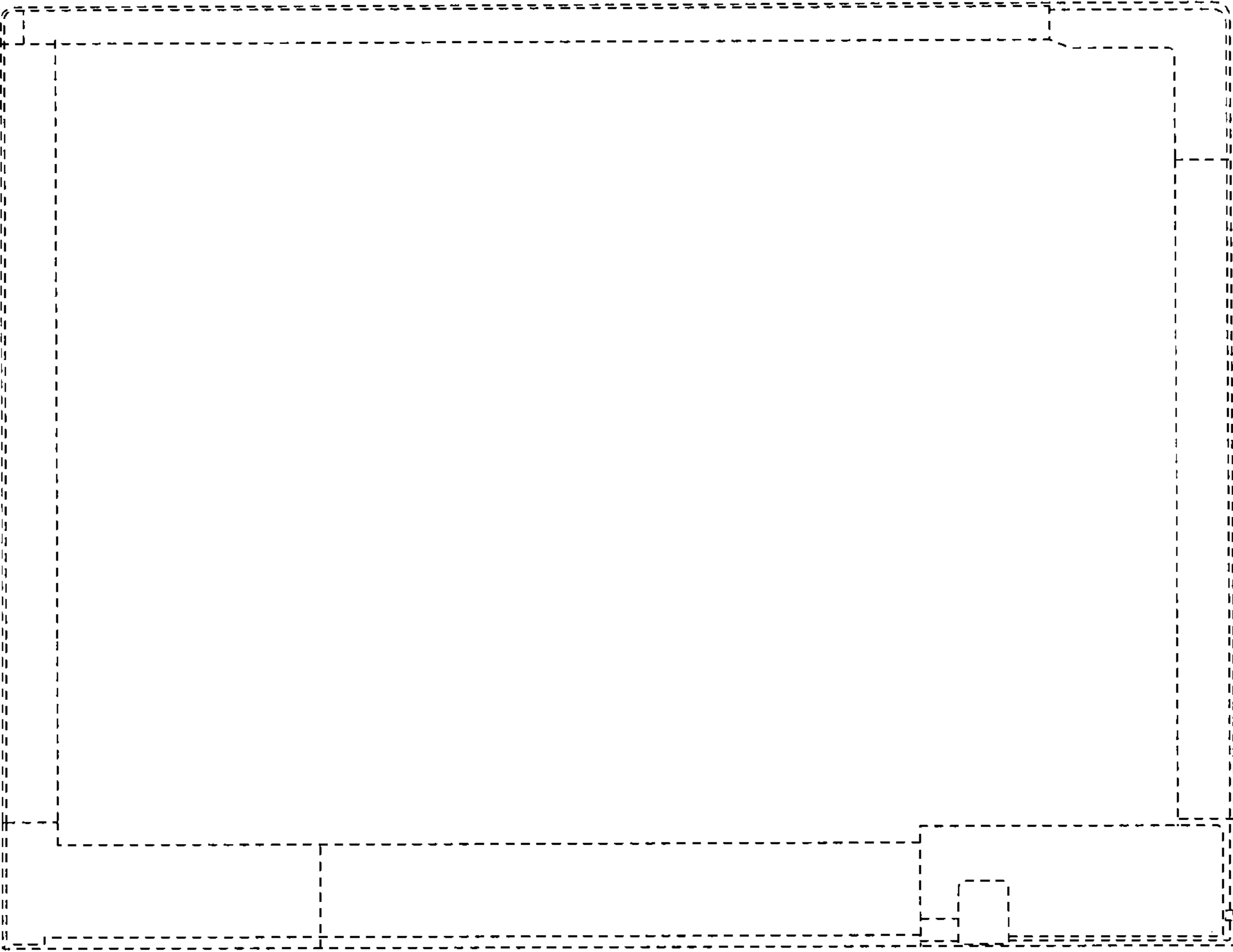


FIG.4

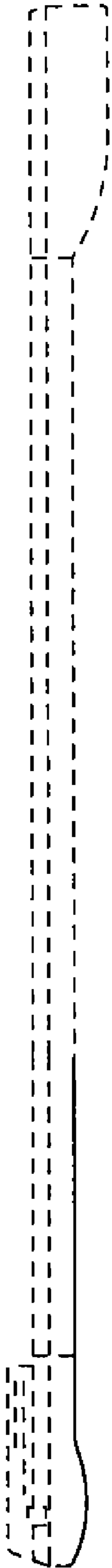


FIG.5

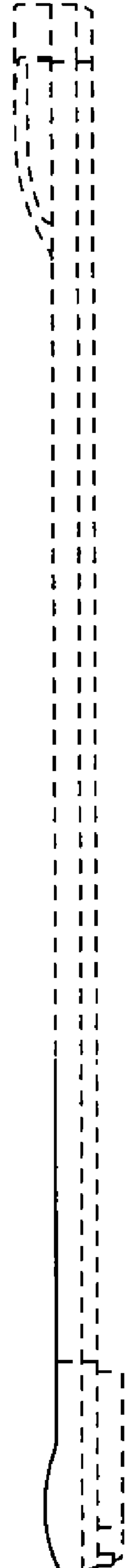


FIG.6

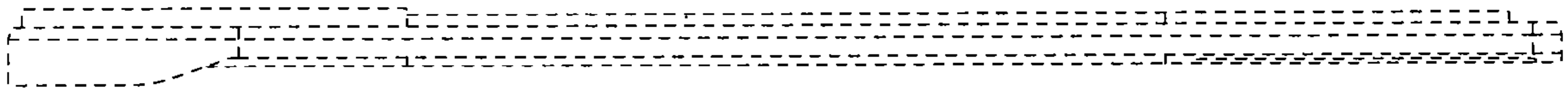


FIG.7

