



US00D614166S

(12) **United States Design Patent**
Brickstad

(10) **Patent No.:** **US D614,166 S**

(45) **Date of Patent:** **** Apr. 20, 2010**

(54) **HEADSET CONTROL DEVICE**

(75) Inventor: **Per Brickstad**, Espoo (FI)

(73) Assignee: **Nokia Corporation**, Espoo (FI)

(**) Term: **14 Years**

(21) Appl. No.: **29/337,412**

(22) Filed: **May 21, 2009**

(51) **LOC (9) Cl.** **14-01**

(52) **U.S. Cl.** **D14/205; D14/218**

(58) **Field of Classification Search** D14/174,
D14/218, 138 AA, 138 AD, 205, 206, 223,
D14/240; D13/168, 171, 184; D21/566;
D10/104, 106; D24/200; 455/352, 355;
379/433.01, 433.02, 433.03, 433.04, 420.01,
379/420.02, 420.03, 420.04; 381/381, 380
See application file for complete search history.

(56) **References Cited**

U.S. PATENT DOCUMENTS

4,706,273	A *	11/1987	Spear et al.	455/569.2
4,875,229	A *	10/1989	Palett et al.	455/569.2
D318,670	S *	7/1991	Taniguchi	D14/205
D326,655	S *	6/1992	Iribe	D14/192
D334,043	S *	3/1993	Taniguchi et al.	D14/218
D344,522	S *	2/1994	Taniguchi	D14/218
D344,523	S *	2/1994	Kanno	D14/218
D344,524	S *	2/1994	Taniguchi	D14/218
D430,139	S *	8/2000	Peters et al.	D14/205
D469,080	S *	1/2003	Kohli	D14/192
D475,996	S *	6/2003	Skulley	D14/240
D479,225	S *	9/2003	De Saulles	D14/218
D558,740	S	1/2008	Jaakkola et al.		
D588,101	S	3/2009	Bradford		

* cited by examiner

Primary Examiner—Paula Greene

(74) *Attorney, Agent, or Firm*—Banner & Witcoff, Ltd.

(57) **CLAIM**

The ornamental design for a headset control device, as shown and described.

DESCRIPTION

FIG. 1 is a perspective front view of a headset control device showing my new design;

FIG. 2 is a left side view thereof;

FIG. 3 is a right side view thereof;

FIG. 4 is a bottom view thereof;

FIG. 5 is a top view thereof;

FIG. 6 is a front view thereof;

FIG. 7 is a rear view thereof;

FIG. 8 is a perspective front view of a headset control device showing my new

FIG. 9 is a left side view thereof;

FIG. 10 is a right side view thereof;

FIG. 11 is a bottom view thereof;

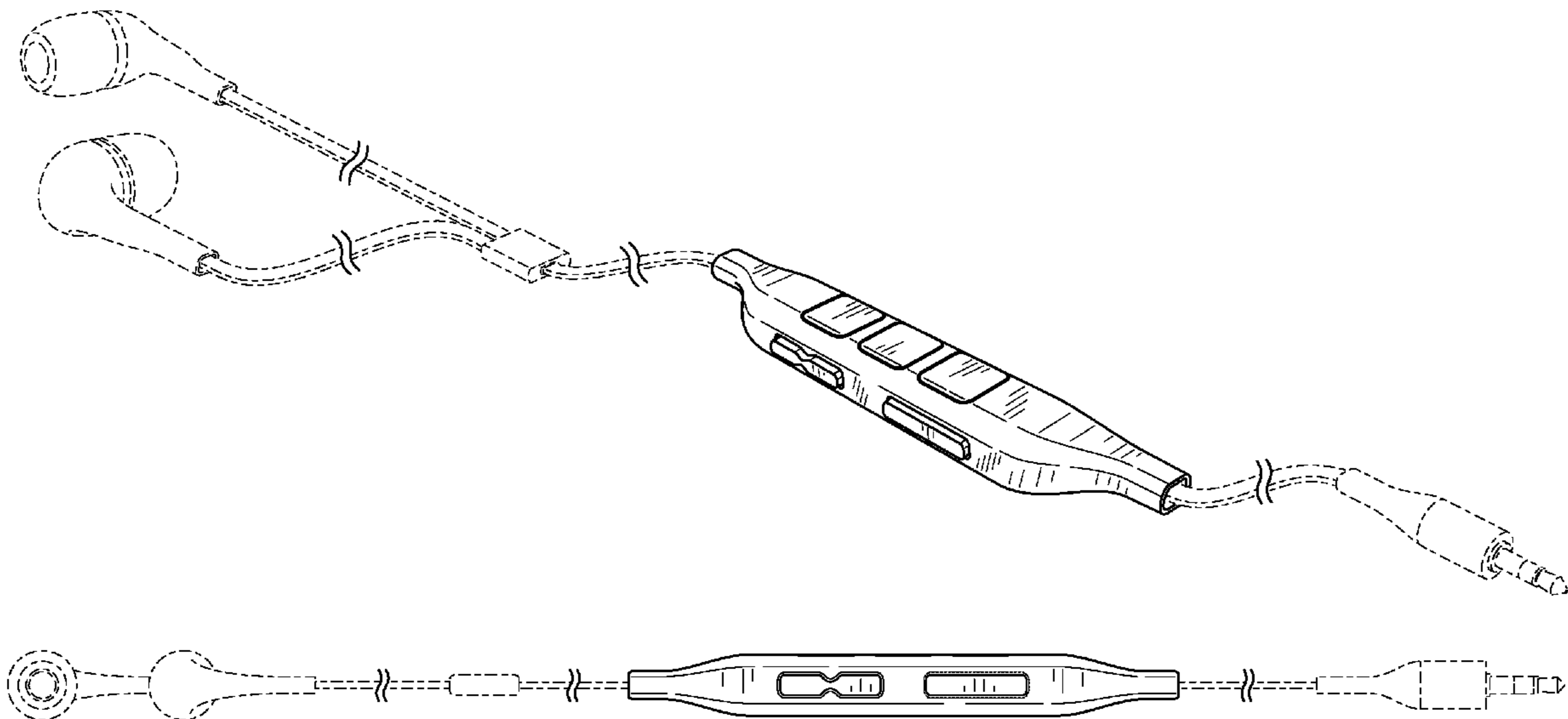
FIG. 12 is a top view thereof;

FIG. 13 is a front view thereof; and,

FIG. 14 is a rear view thereof.

The broken line showing of the environment of the headset control device in FIGS. 1–7 is for illustrative purposes only and forms no part of the claimed design.

1 Claim, 7 Drawing Sheets



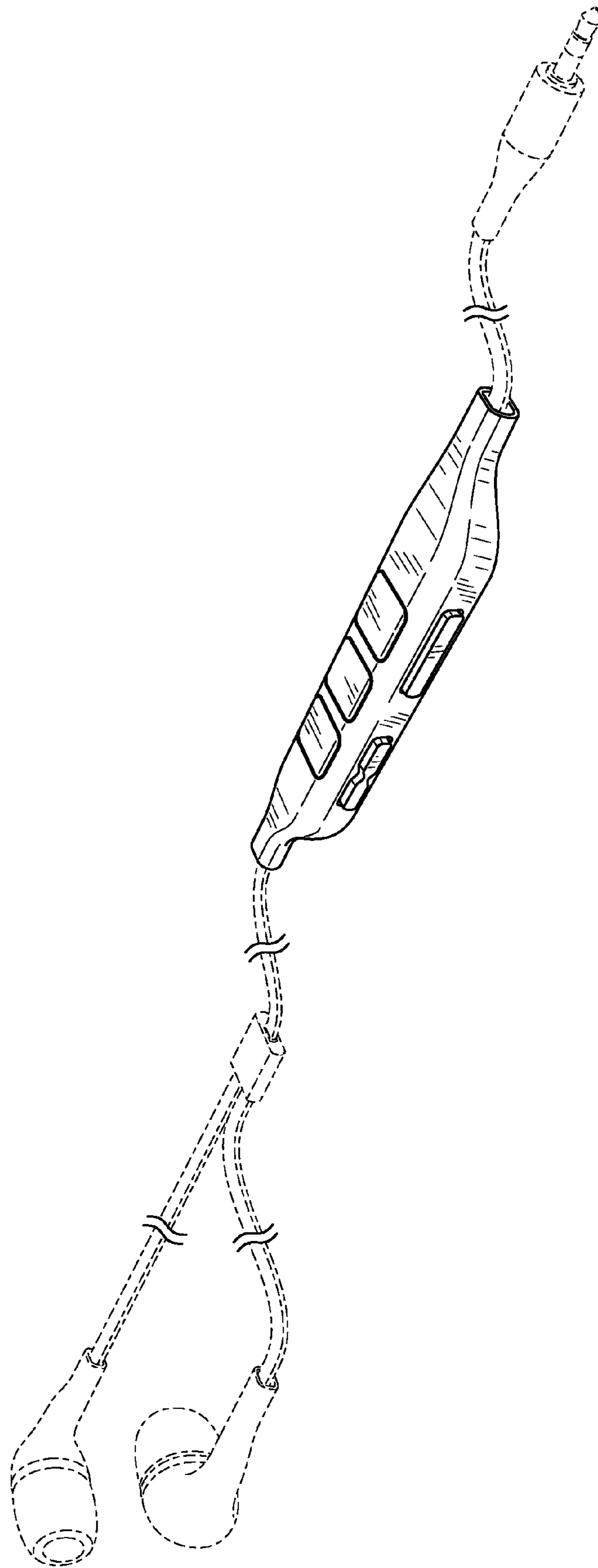


FIG. 1

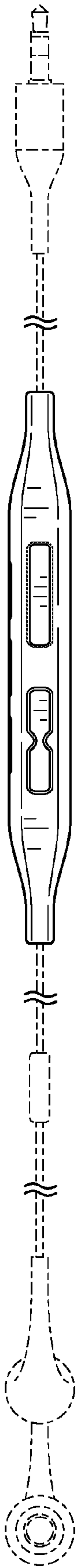


FIG. 2

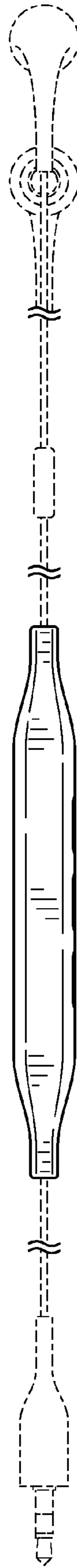


FIG. 3

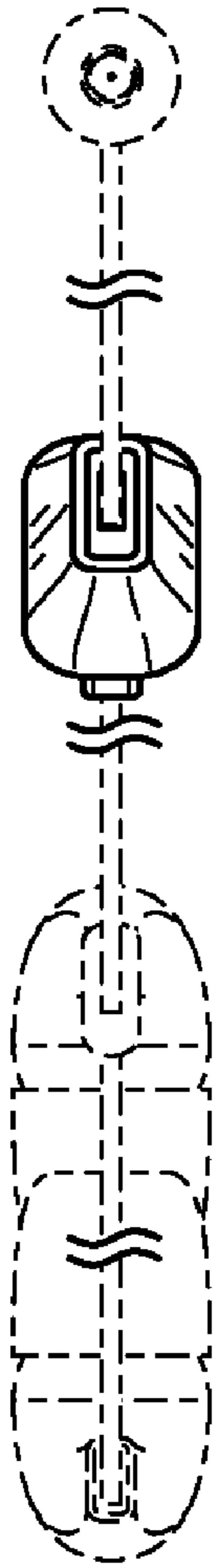


FIG. 4

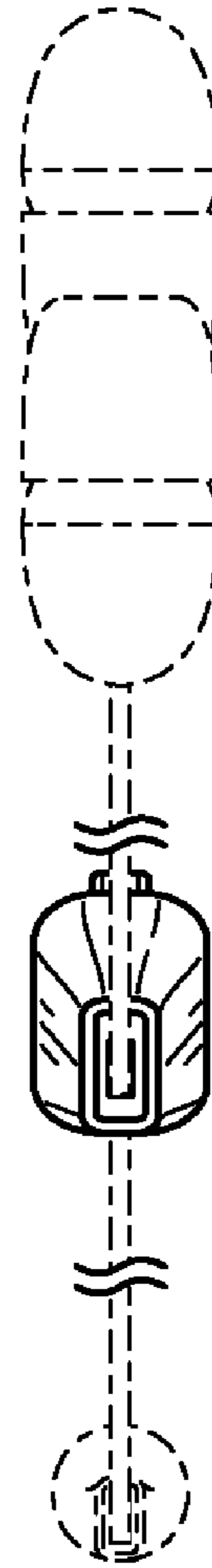


FIG. 5

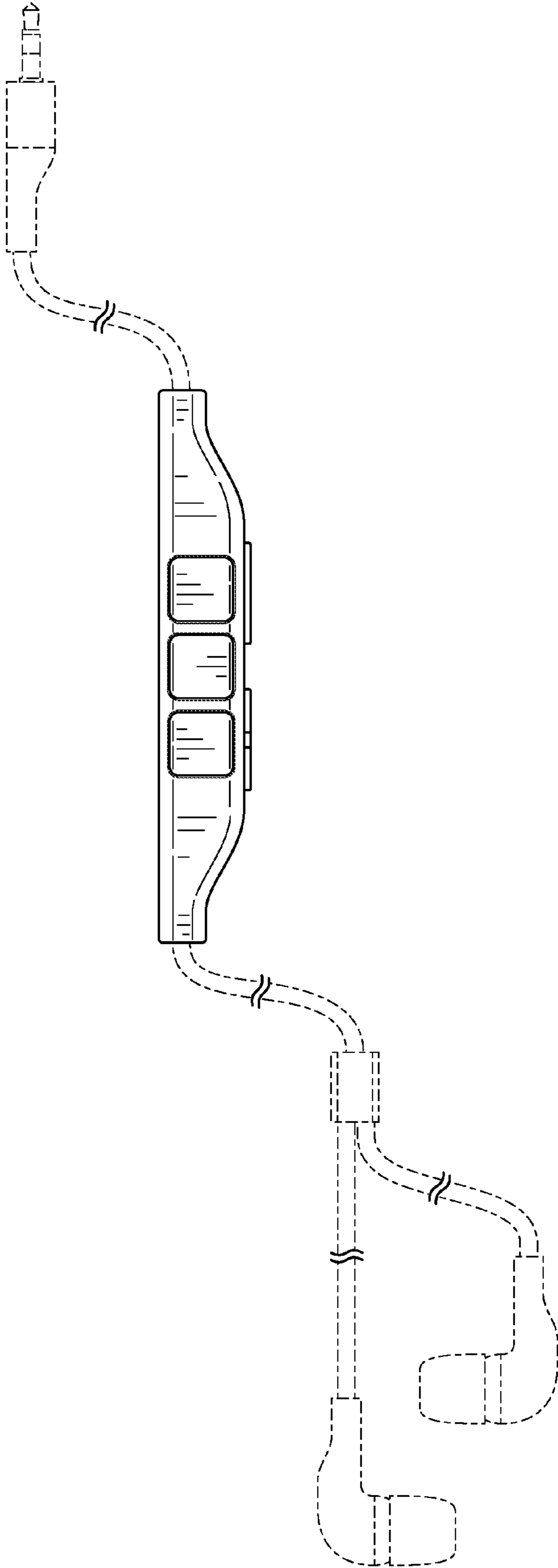


FIG. 6

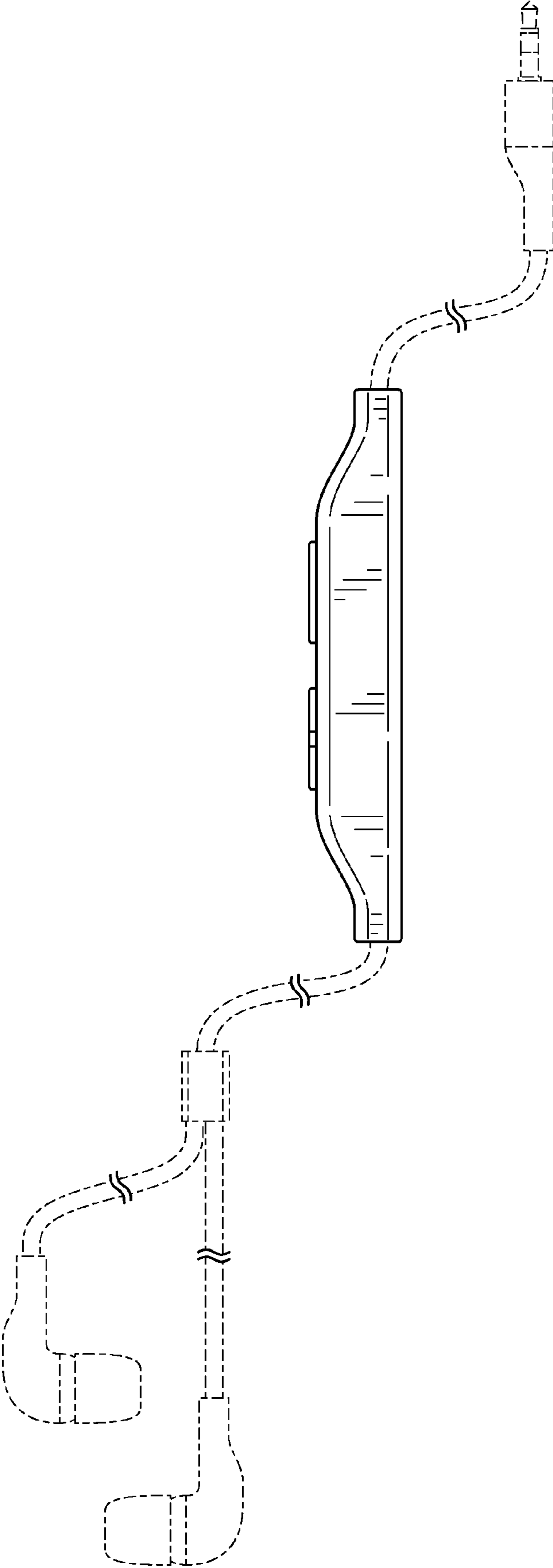


FIG. 7

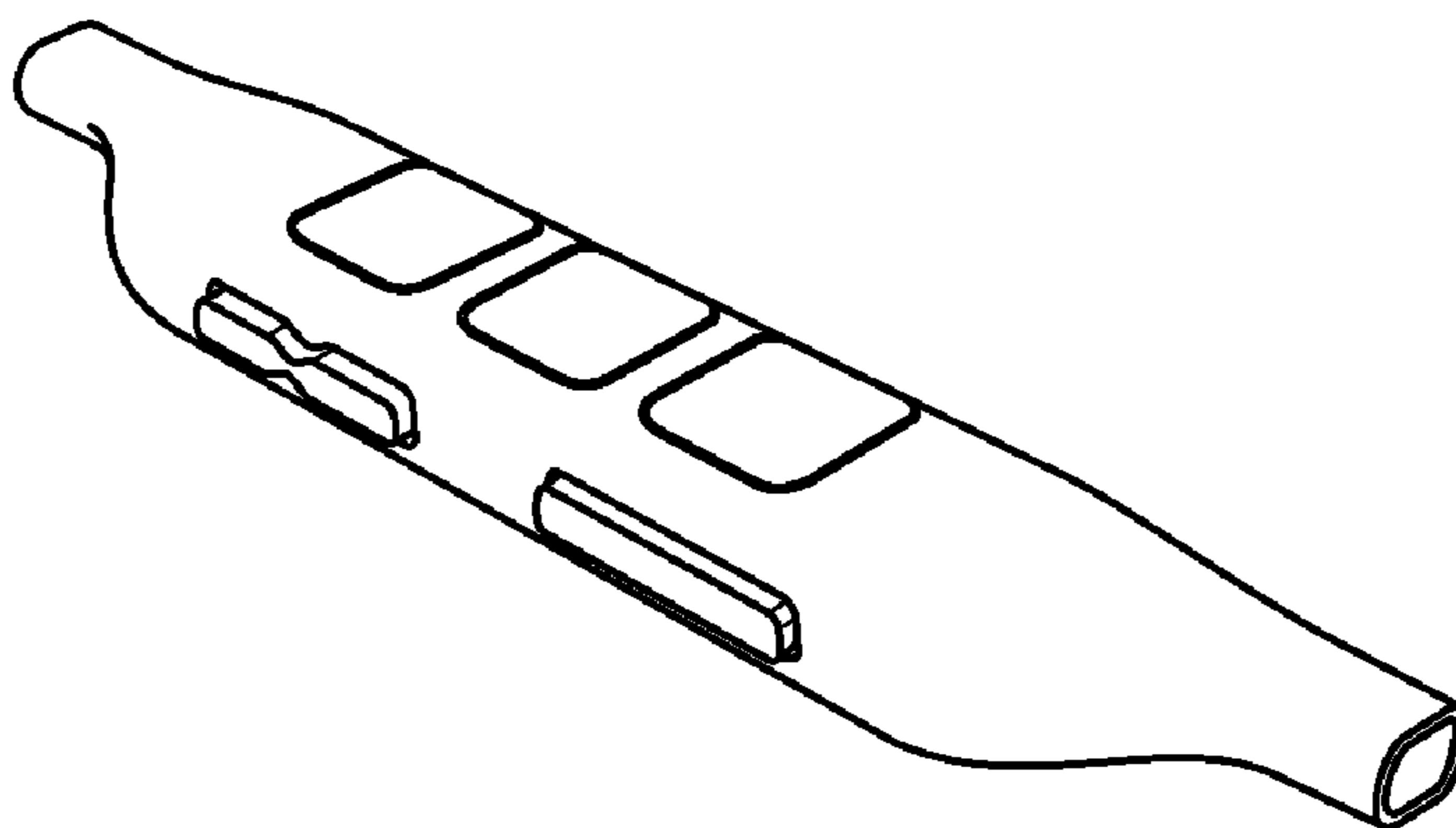


FIG. 8



FIG. 9



FIG. 10



FIG. 11

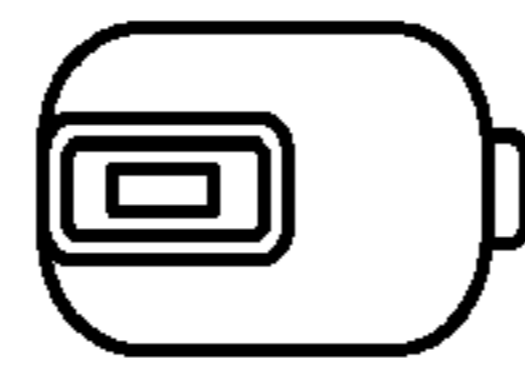


FIG. 12

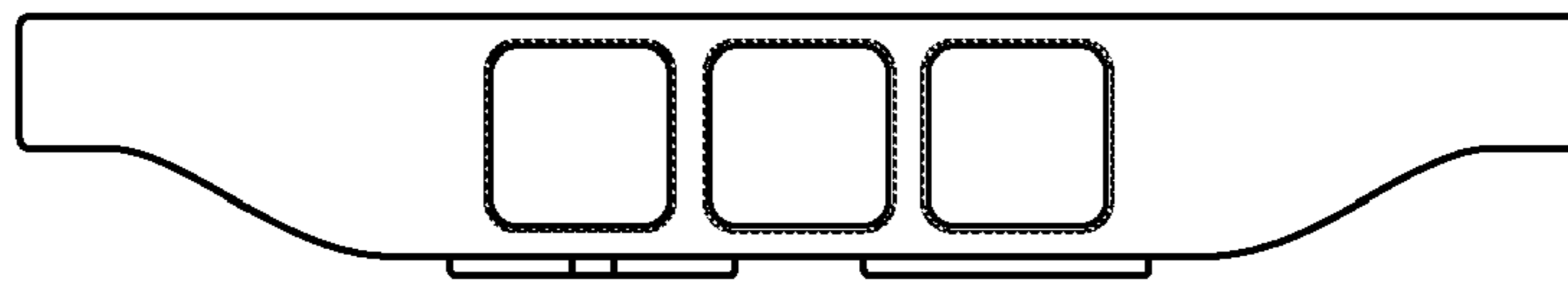


FIG. 13

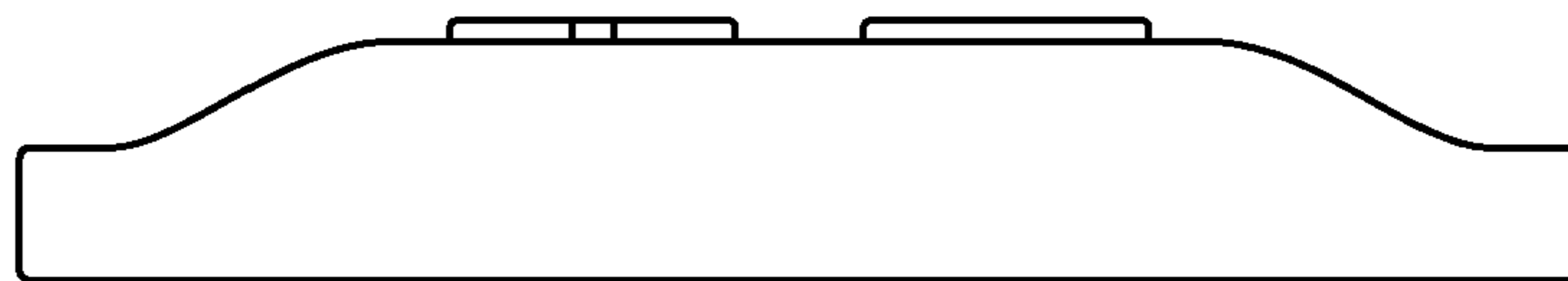


FIG. 14

UNITED STATES PATENT AND TRADEMARK OFFICE
CERTIFICATE OF CORRECTION

PATENT NO. : Des. 614,166 S
APPLICATION NO. : 29/337412
DATED : April 20, 2010
INVENTOR(S) : Per Brickstad

Page 1 of 1

It is certified that error appears in the above-identified patent and that said Letters Patent is hereby corrected as shown below:

On the Title page, in the section entitled "Description,"

"Fig. 8 is a perspective front view of a headset control device showing my new"

has been replaced with

-- Fig. 8 is a perspective front view of a headset control device showing my new device --

Signed and Sealed this

Fifteenth Day of June, 2010

A handwritten signature in black ink that reads "David J. Kappos". The signature is written in a cursive, flowing style.

David J. Kappos
Director of the United States Patent and Trademark Office