



US00D614164S

(12) **United States Design Patent**  
**Andre et al.**

(10) **Patent No.:** **US D614,164 S**  
(45) **Date of Patent:** **\*\* \*Apr. 20, 2010**

(54) **ELECTRONIC DEVICE**

(56)

**References Cited**

(75) Inventors: **Bartley K. Andre**, Menlo Park, CA (US); **Daniel J. Coster**, San Francisco, CA (US); **Daniele De Iuliis**, San Francisco, CA (US); **Richard P. Howarth**, San Francisco, CA (US); **Jonathan P. Ive**, San Francisco, CA (US); **Steve Jobs**, Palo Alto, CA (US); **Duncan Robert Kerr**, San Francisco, CA (US); **Shin Nishibori**, San Francisco, CA (US); **Matthew Dean Rohrbach**, San Francisco, CA (US); **Peter Russell-Clarke**, San Francisco, CA (US); **Douglas B. Satzger**, Menlo Park, CA (US); **Calvin Q. Seid**, Palo Alto, CA (US); **Vincent Keane Seid**, legal representative, Los Gatos, CA (US); **Christopher J. Stringer**, Portola Valley, CA (US); **Eugene Antony Whang**, San Francisco, CA (US); **Rico Zorkendorfer**, San Francisco, CA (US)

(73) Assignee: **Apple Inc.**, Cupertino, CA (US)

(\*) Notice: This patent is subject to a terminal disclaimer.

(\*\*) Term: **14 Years**

(21) Appl. No.: **29/284,274**

(22) Filed: **Sep. 5, 2007**

(51) **LOC (9) Cl.** ..... **14-03**

(52) **U.S. Cl.** ..... **D14/203.7; D14/496**

(58) **Field of Classification Search** ..... D14/496, D14/401, 435, 474, 483, 217, 137, 138, 160, D14/168, 356, 203.1-203.8, 507; 345/156, 345/169, 173-179, 905; 715/727-729, 864; 710/1, 5, 8; 713/1, 600; 455/1.1, 1.7, 73, 455/344-347, 93, 95, 3.01-3.06, 550.1, 573.1; 370/342-344; 369/1, 2, 6-12; 463/43-47; 273/148 B

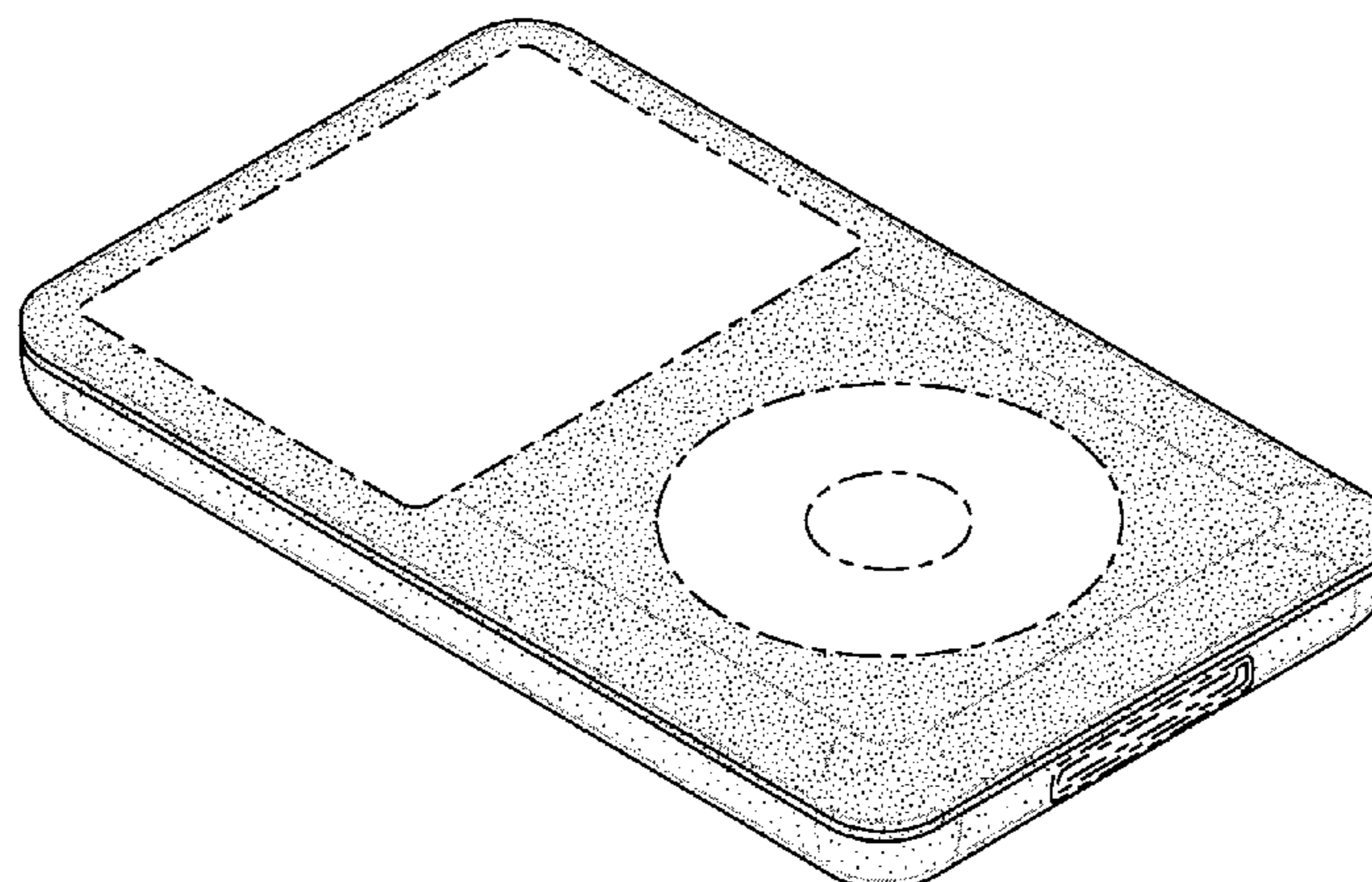
See application file for complete search history.

**U.S. PATENT DOCUMENTS**

D425,885 S	5/2000	Amron	
D469,109 S	1/2003	Andre et al.	
D472,245 S	3/2003	Andre et al.	
6,591,085 B1	7/2003	Grady	
6,593,914 B1 *	7/2003	Nuovo et al. ....	345/169
D489,052 S	4/2004	Shiraki et al.	
D494,188 S	8/2004	Huang	
6,781,623 B1 *	8/2004	Thomas .....	348/208.4
D497,618 S	10/2004	Andre et al.	
D506,476 S	6/2005	Andre et al.	
D507,277 S	7/2005	Sitoh	
D509,833 S	9/2005	Yang	
D513,512 S	1/2006	Tsai	
D514,121 S	1/2006	Johnson	
D515,099 S	2/2006	Lee	
D516,576 S	3/2006	Ive et al.	
D516,579 S	3/2006	Nakamura	
D517,088 S	3/2006	Chong et al.	
D519,523 S	4/2006	Chiu et al.	
D520,020 S	5/2006	Senda et al.	
7,046,230 B2	5/2006	Zadesky et al.	
D538,820 S	3/2007	Andre et al.	
D541,298 S	4/2007	Andre et al.	
D548,744 S	8/2007	Andre et al.	
D548,747 S	8/2007	Andre et al.	
D572,267 S	7/2008	Andre et al.	
D584,303 S *	1/2009	Andre et al. ....	D14/341
D584,740 S *	1/2009	Sheba et al. ....	D14/496
D584,742 S *	1/2009	Sheba et al. ....	D14/496
D587,280 S *	2/2009	Lee et al. ....	D14/496
D589,979 S *	4/2009	Andre et al. ....	D14/496
2004/0224638 A1	11/2004	Fadell et al.	

**FOREIGN PATENT DOCUMENTS**

CN	3260632D	10/2002
CN	3260633D	10/2002
CN	3286007D	4/2003
CN	3287344D	4/2003
CN	3331371D	10/2003
CN	3339759D	12/2003
CN	3375890D	6/2004
CN	3380859D	7/2004
CN	3389184D	9/2004
CN	3453893D	6/2005
CN	3453894D	6/2005



CN	3468582D	8/2005
CN	3468598D	8/2005
CN	3480659D	10/2005
CN	3484184D	11/2005
CN	3490573D	12/2005
CN	3490574D	12/2005
CN	3509995D	3/2006
CN	3513646D	3/2006
CN	3518964D	4/2006
CN	3518979D	4/2006
CN	3534319D	6/2006
CN	3541511D	7/2006
CN	3543434D	7/2006
CN	3543442D	7/2006
CN	3543458D	7/2006
CN	3545312D	7/2006
CN	3545341D	7/2006
CN	3549064D	8/2006
CN	3562517D	9/2006
CN	3562544D	9/2006
CN	3571069D	10/2006
CN	3575463D	11/2006
CN	3575474D	11/2006
CN	3579941D	11/2006
CN	3588710D	12/2006
CN	3590936D	12/2006
CN	3593120D	12/2006
CN	3595475D	1/2007
CN	3597854D	1/2007
CN	3615593D	2/2007
CN	3615600D	2/2007
CN	3615602D	2/2007
CN	3615603D	2/2007
CN	3621245D	3/2007
CN	3634314D	4/2007
CN	3646242D	5/2007
CN	3660093D	6/2007
CN	3665655D	7/2007
CN	200730131203.5	1/2008
JP	30-0452305	6/2007
JP	D1312270	10/2007
JP	D1313431	10/2007
JP	D1313439	10/2007

OTHER PUBLICATIONS

“Microsoft Launches the Zune!”, Engadget.com (on line) (c) 2006, retrieved on Mar. 28, 2008, URL:<http://www.engadget.com/2006/09/14/microsoft-launches-the-zune/>, 7 pages.

Apple iPod U2 Special Edition (20GB), Selectmore.com (on line) (c) 1998, retrieved on Aug. 25, 2007, URL:<http://ww.selectmore.com/Detail.aspx?pid=300501>, 5 pages.

U.S. Appl. No. 29/281,763, Andre et al., Electronic Device, filed Jun. 29, 2007.

U.S. Appl. No. 29/286,504, Andre et al., Electronic Device, filed May 8, 2007.

U.S. Appl. No. 29/284,186, Andre et al., Electronic Device, filed Aug. 31, 2007.

U.S. Appl. No. 29/284,189, Andre et al., Electronic Device, filed Aug. 31, 2007.

U.S. Appl. No. 29/284,270, Andre et al., Electronic Device, filed Sep. 4, 2007.

U.S. Appl. No. 29/284,273, Andre et al., Electronic Device, filed Sep. 5, 2007.

U.S. Appl. No. 29/284,275, Andre et al., Electronic Device, filed Sep. 5, 2007.

U.S. Appl. No. 29/284,291, Andre et al., Electronic Device, filed Sep. 5, 2007.

U.S. Appl. No. 29/284,320, Andre et al., Electronic Device, filed Sep. 5, 2007.

U.S. Appl. No. 29/284,325, Andre et al., Electronic Device, filed Sep. 5, 2007.

U.S. Appl. No. 29/326,065, Andre et al., Electronic Device, filed Oct. 10, 2007.

\* cited by examiner

*Primary Examiner*—Prabhakar Deshmukh  
(74) *Attorney, Agent, or Firm*—Sterne, Kessler, Goldstein & Fox P.L.L.C.

(57) CLAIM

The ornamental design for an electronic device, as shown and described.

DESCRIPTION

FIG. 1 is a front perspective view of an electronic device showing our new design;

FIG. 2 is a rear perspective thereof;

FIG. 3 is a front view thereof;

FIG. 4 is a rear view thereof;

FIG. 5 is a left side view thereof;

FIG. 6 is right side view thereof;

FIG. 7 is a top plan view thereof;

FIG. 8 is a bottom plan view thereof;

FIG. 9 is an enlarged elevational view of a representative corner of the electronic device;

FIG. 10 is an alternative front perspective view of an electronic device shown in FIG. 1;

FIG. 11 is a rear perspective thereof;

FIG. 12 is a front view thereof;

FIG. 13 is a rear view thereof;

FIG. 14 is a left side view thereof;

FIG. 15 is right side view thereof;

FIG. 16 is a top plan view thereof;

FIG. 17 is a bottom plan view thereof; and,

FIG. 18 is an enlarged elevational view of a representative corner of the electronic device.

The broken lines in the Figures show portions of the electronic device which form no part of the claimed design.

The surfaces of the electronic device shown in FIGS. 1–18 show different stippling to indicate contrasting surface treatments. Another embodiment, not shown because the figures are the same as FIGS. 1–18, is the same as FIGS. 1–18 except the light stippling represents a shiny and glossy surface treatment and the dark stippling represents a matte and flat surface treatment.

1 Claim, 12 Drawing Sheets

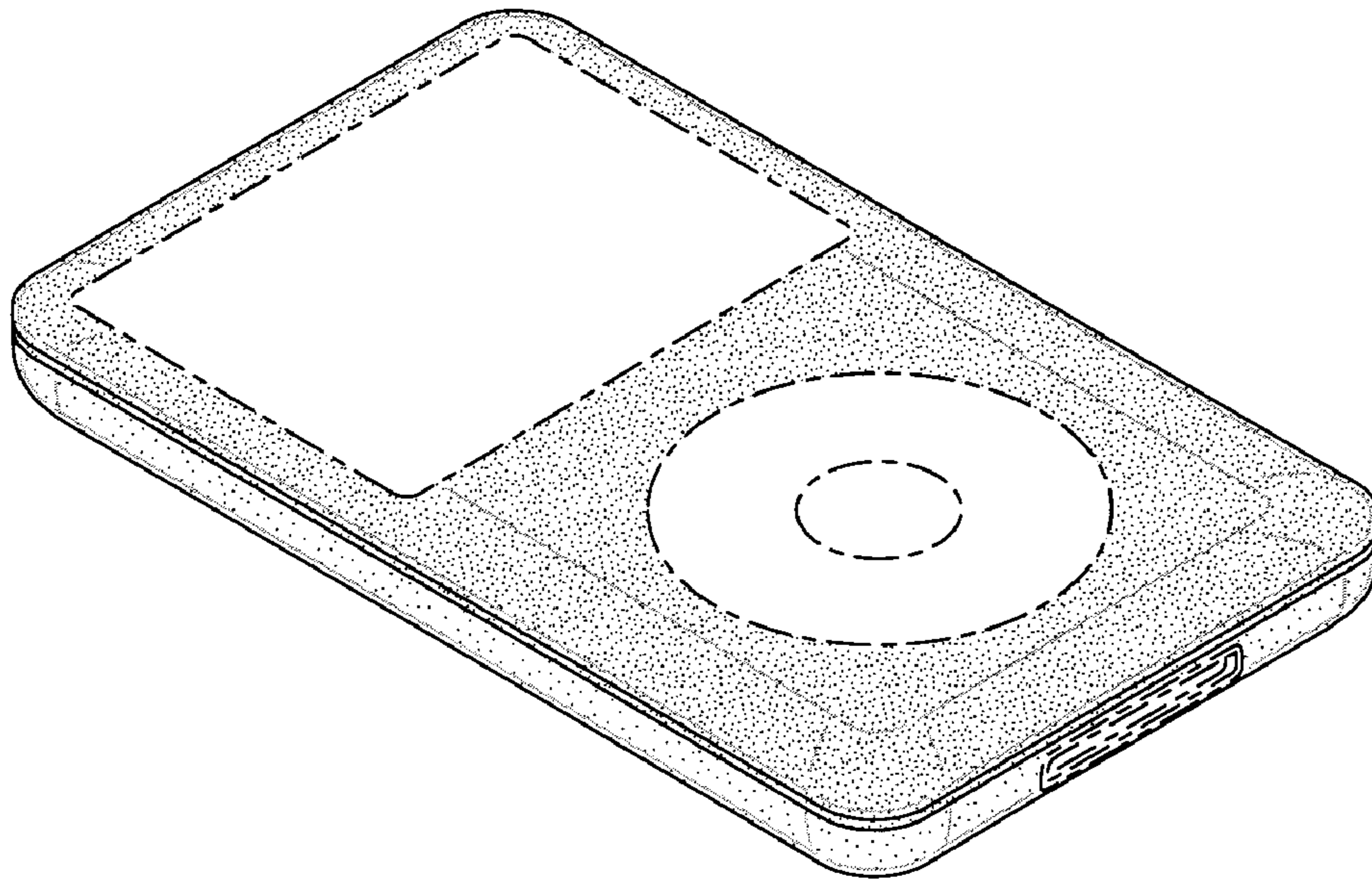


FIG. 1

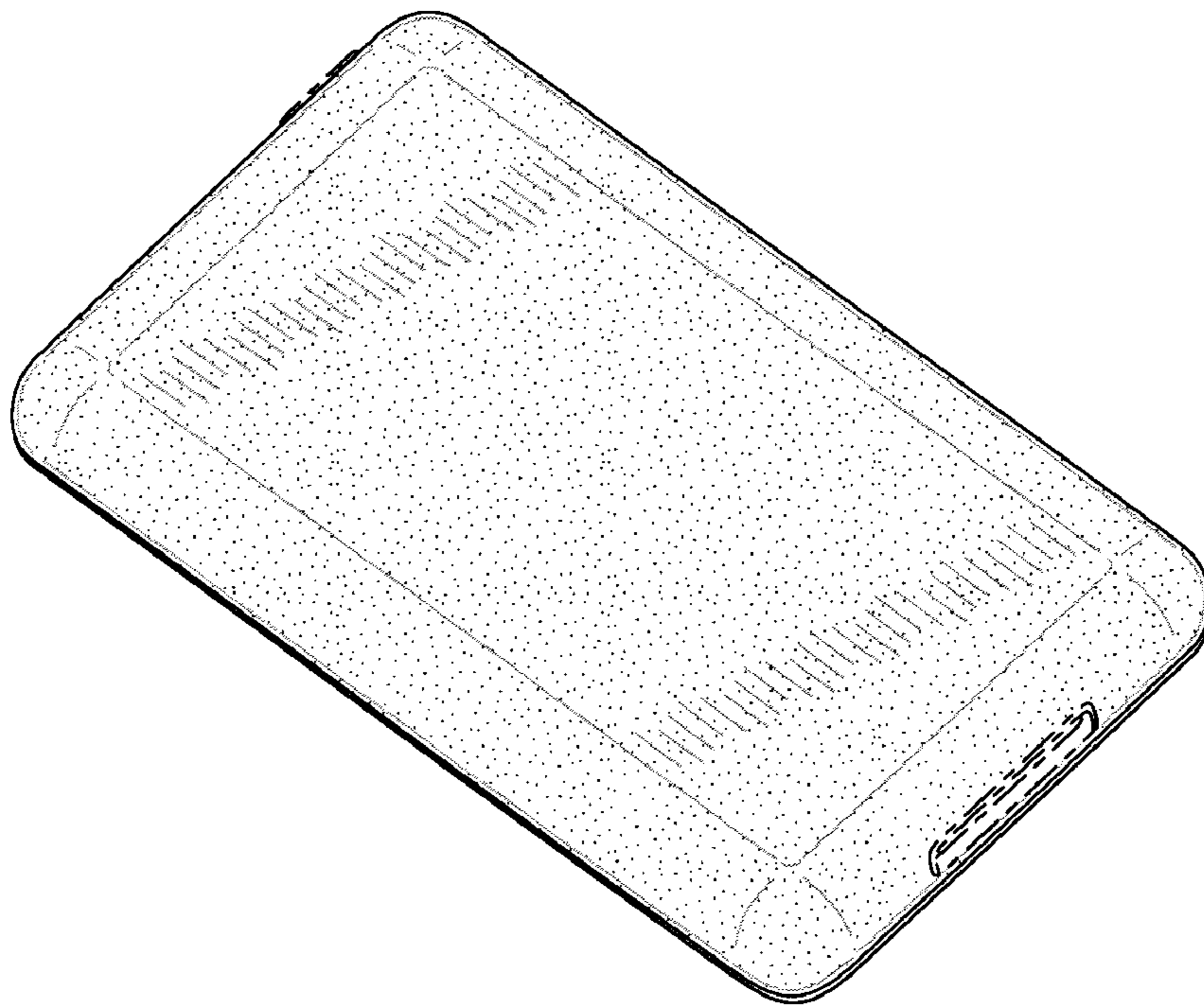


FIG. 2

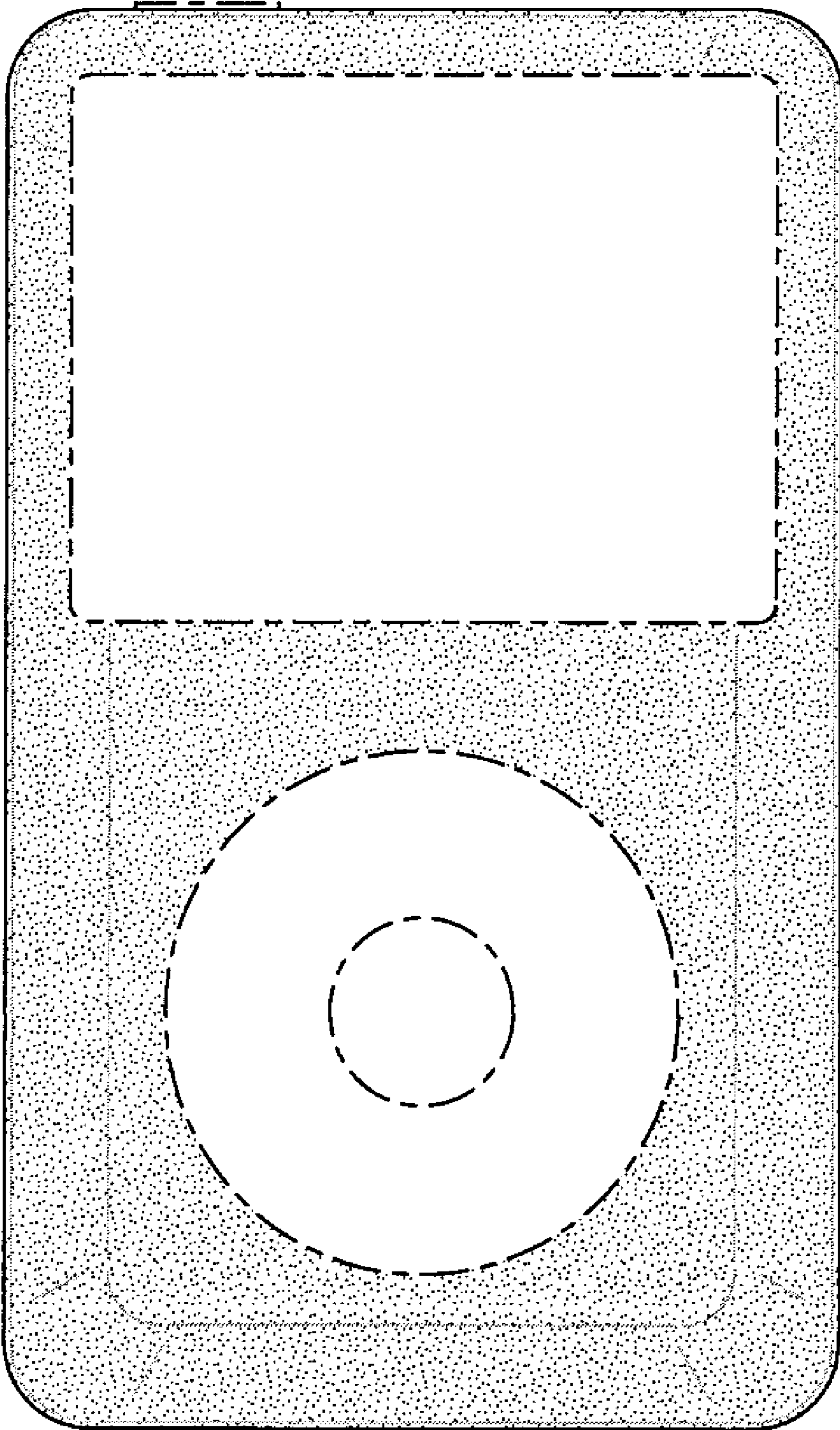


FIG. 3

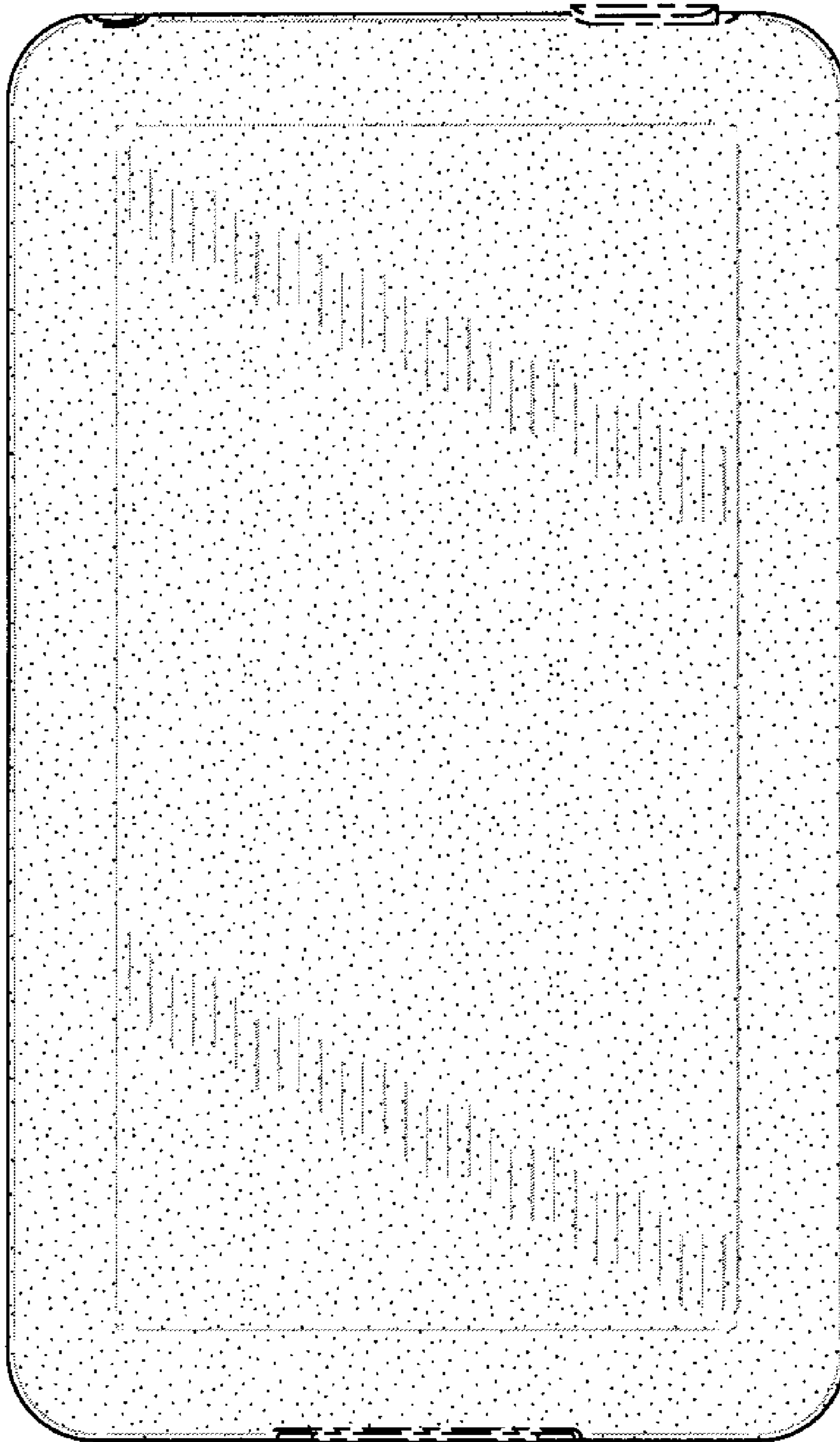


FIG. 4

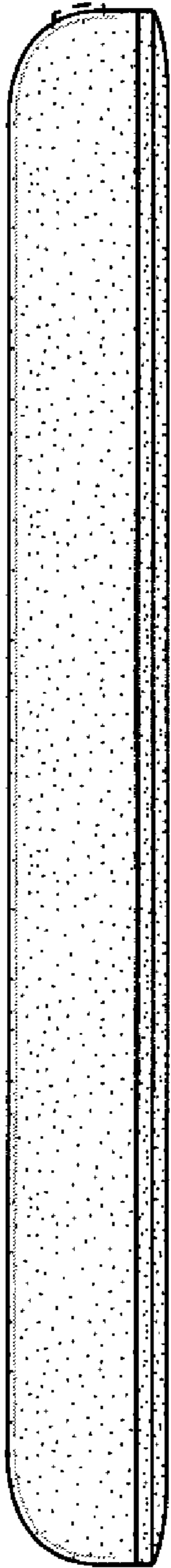


FIG. 5

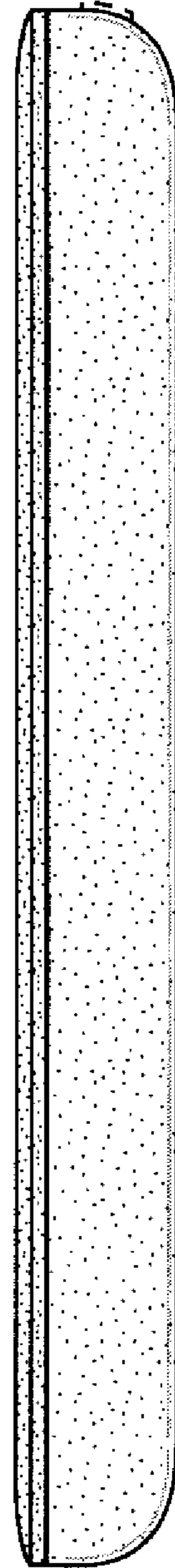


FIG. 6

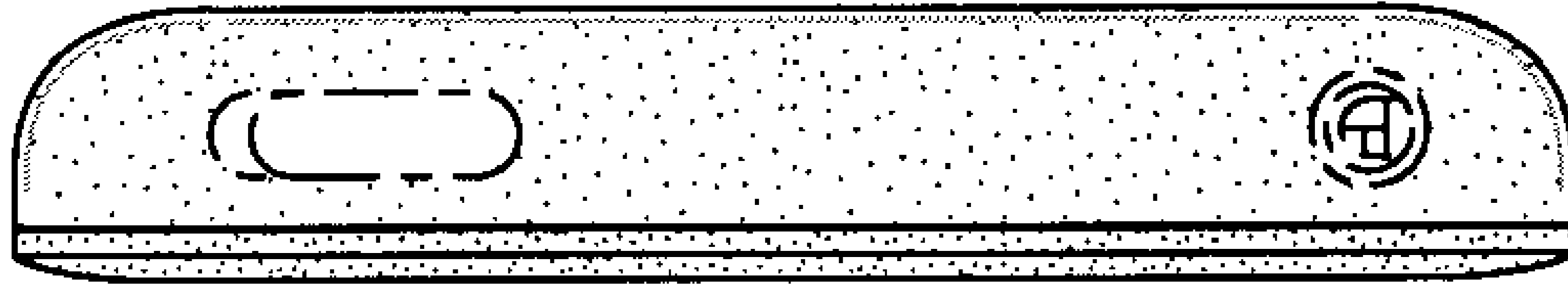


FIG. 7

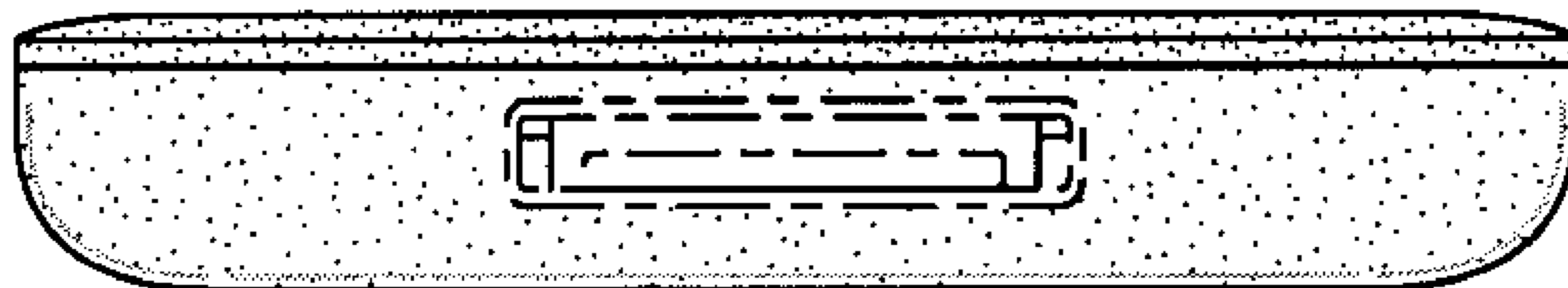


FIG. 8

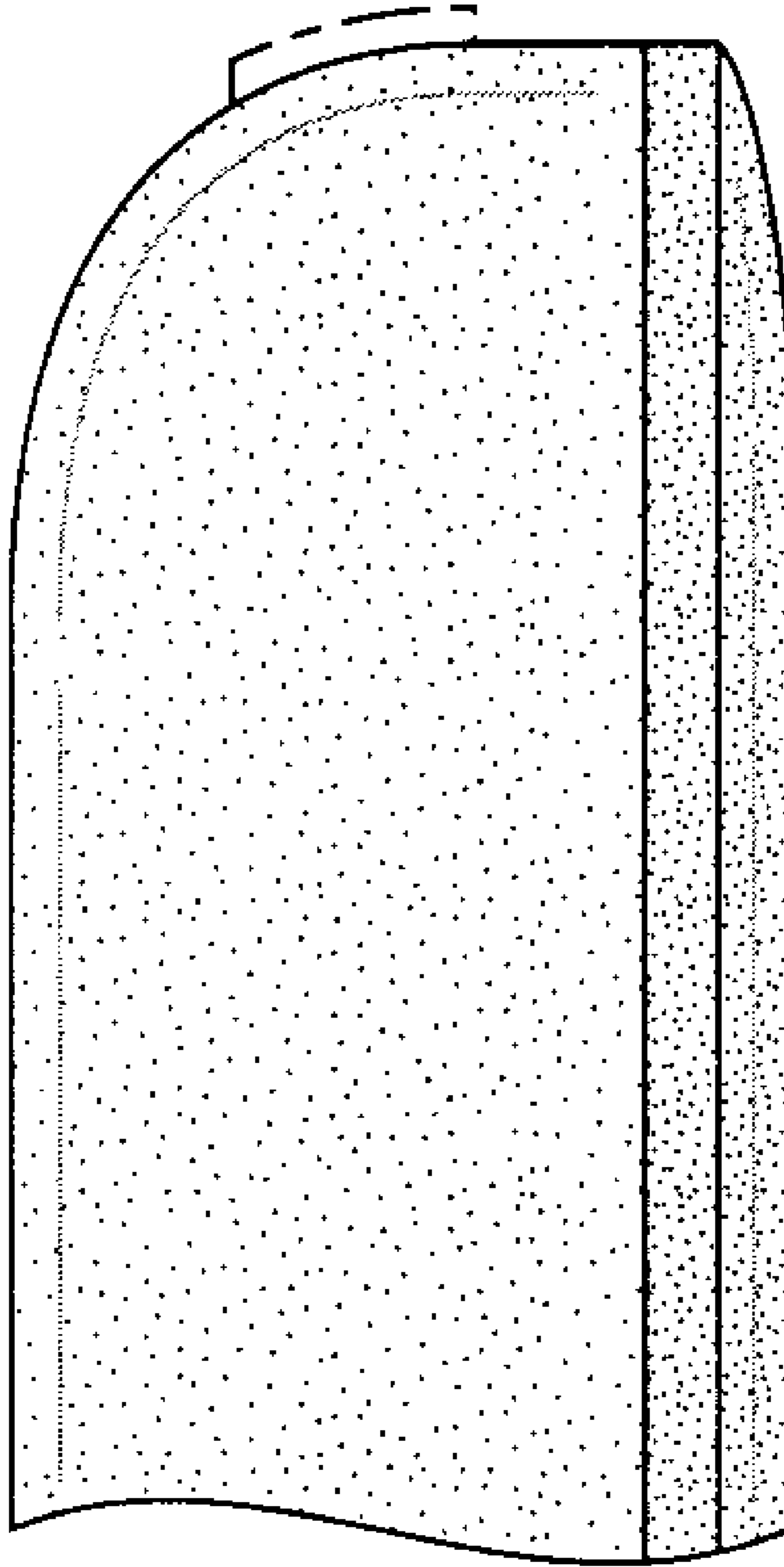


FIG. 9



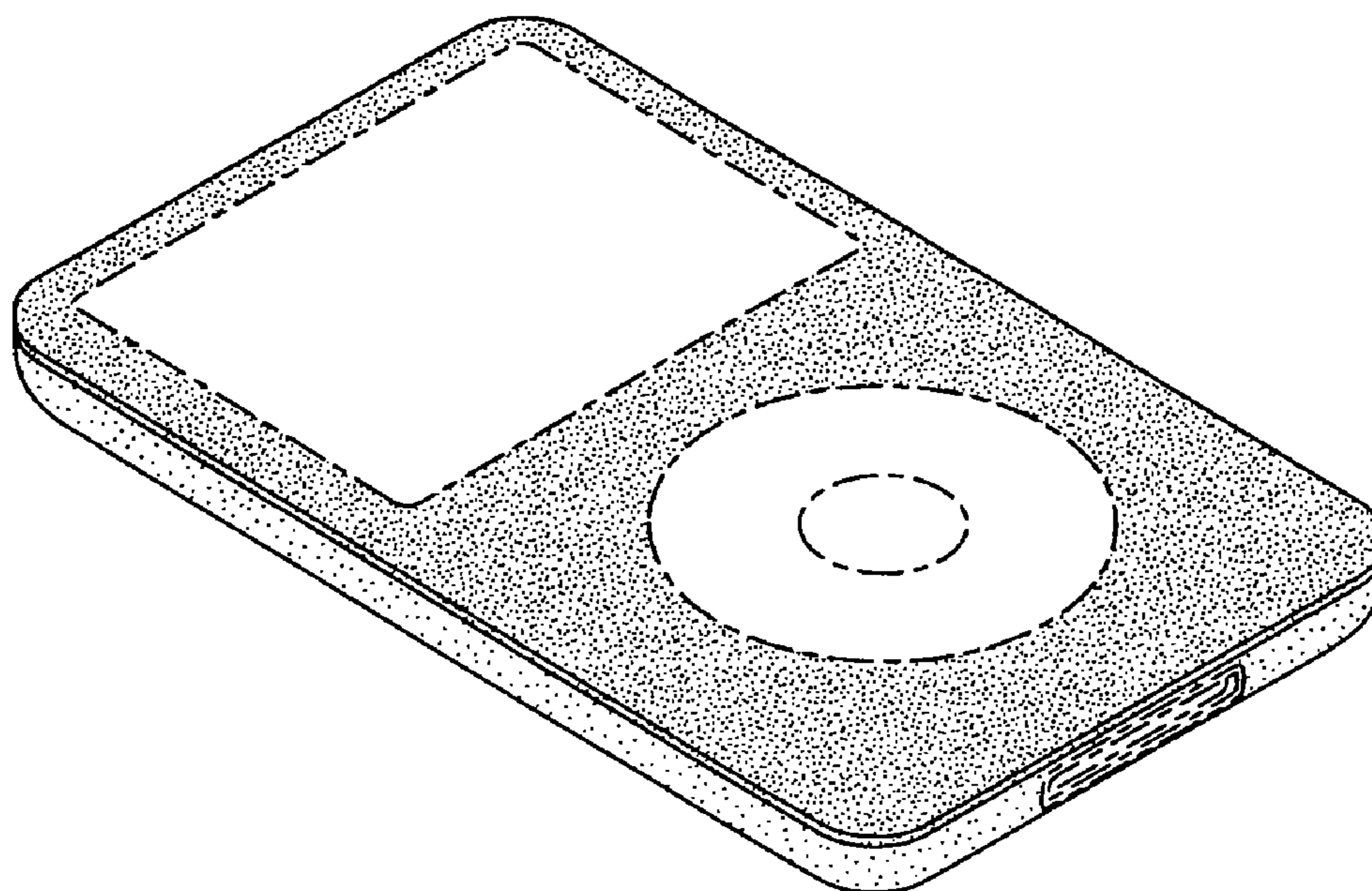


FIG. 10

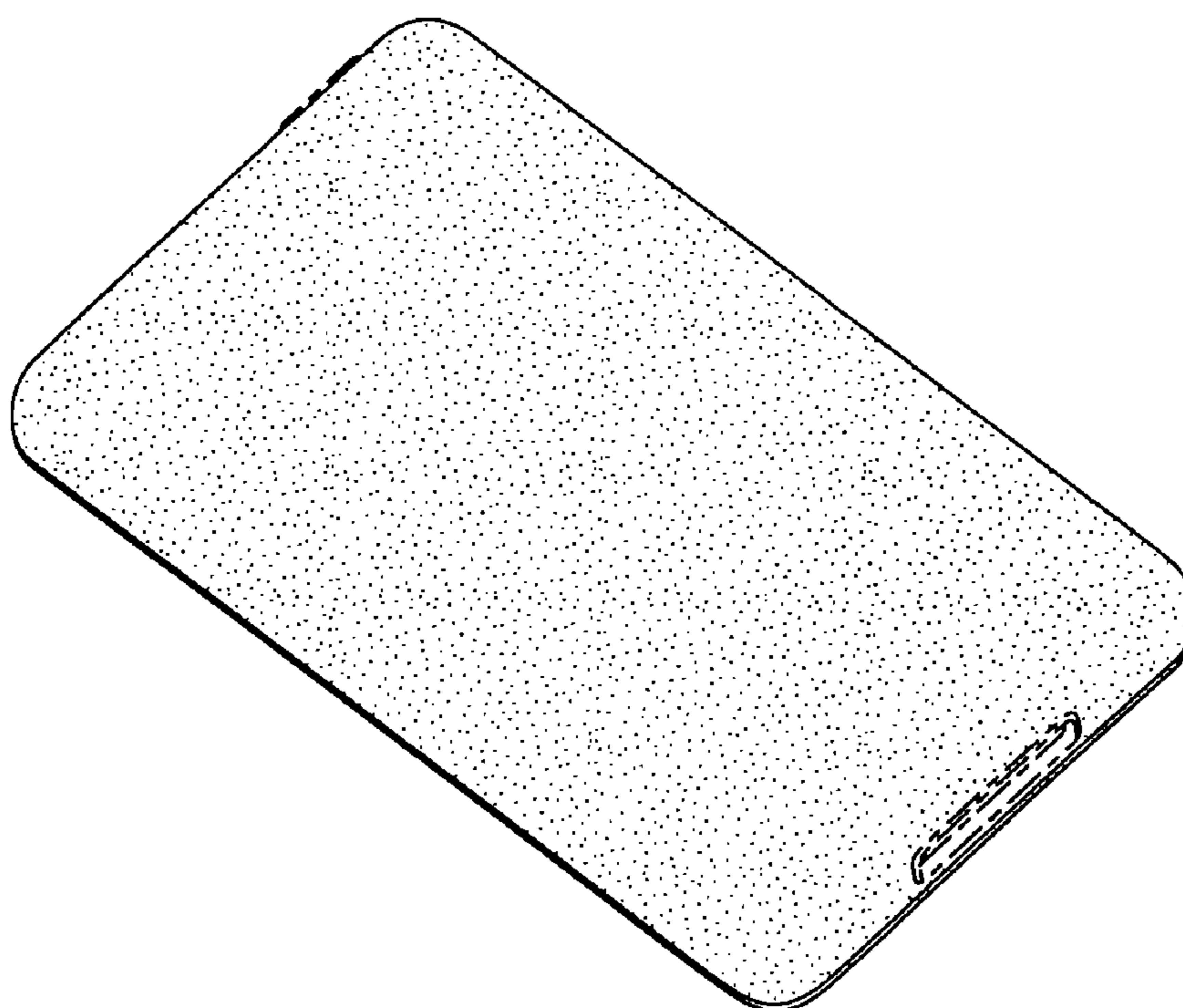


FIG. 11

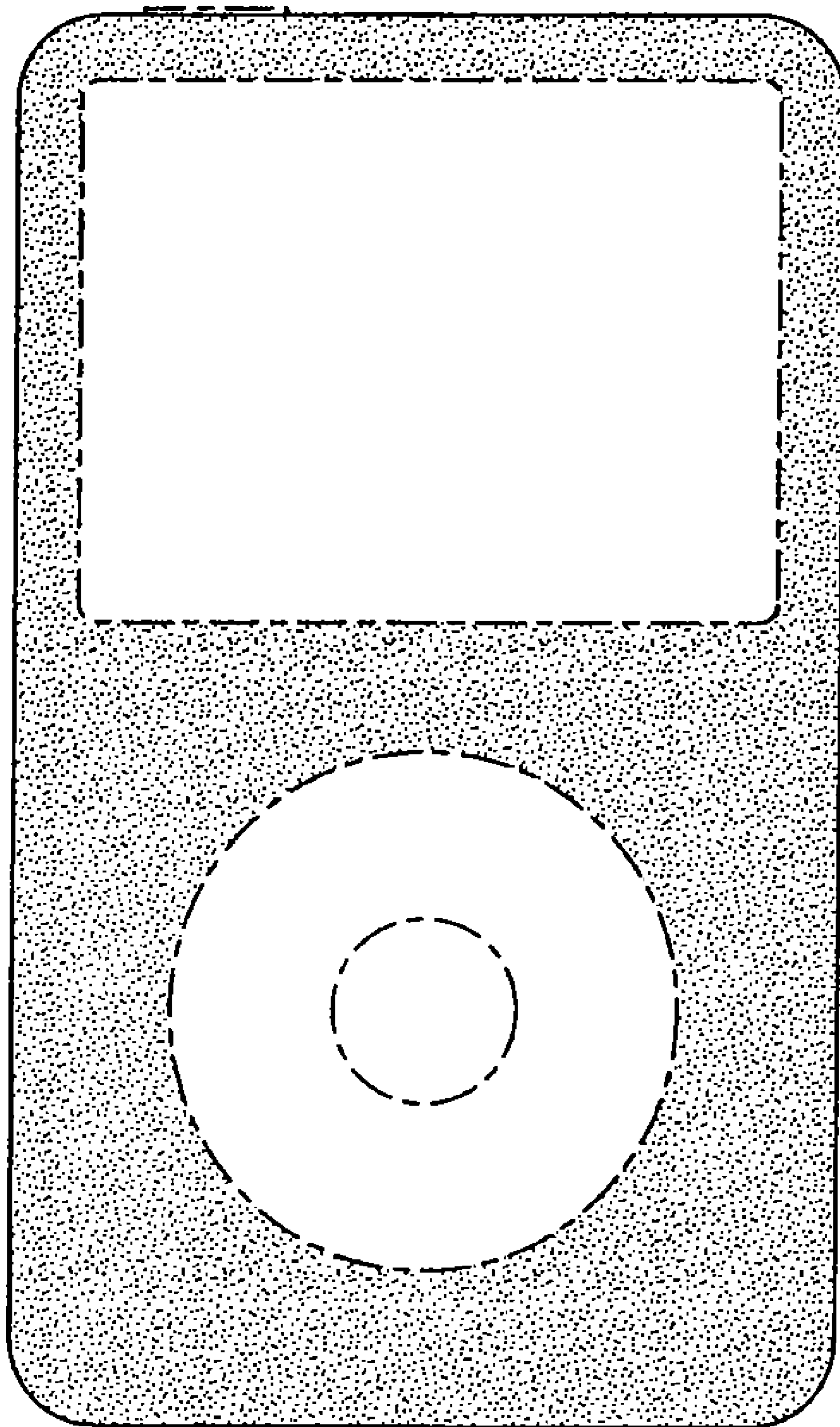


FIG. 12

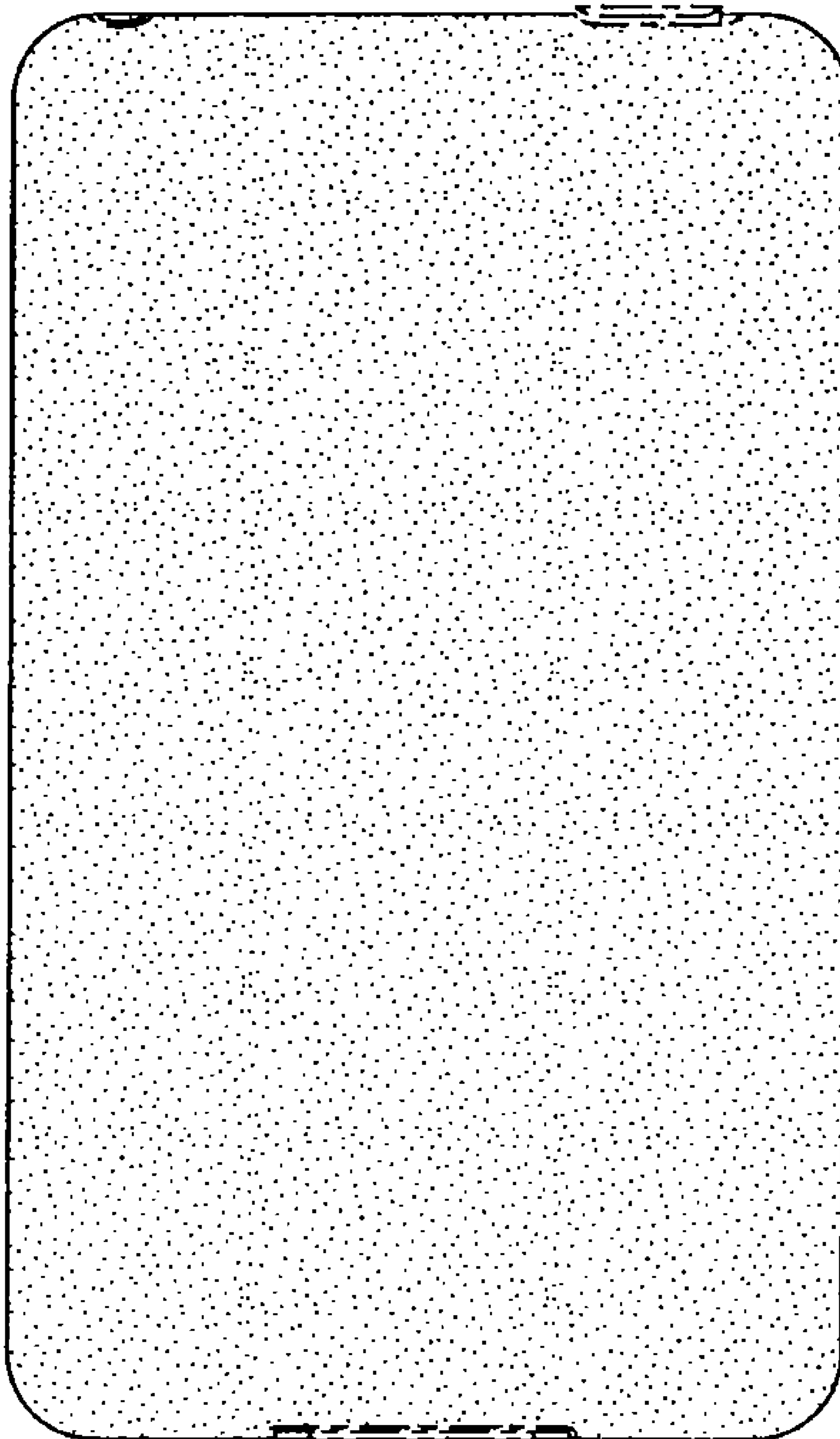


FIG. 13

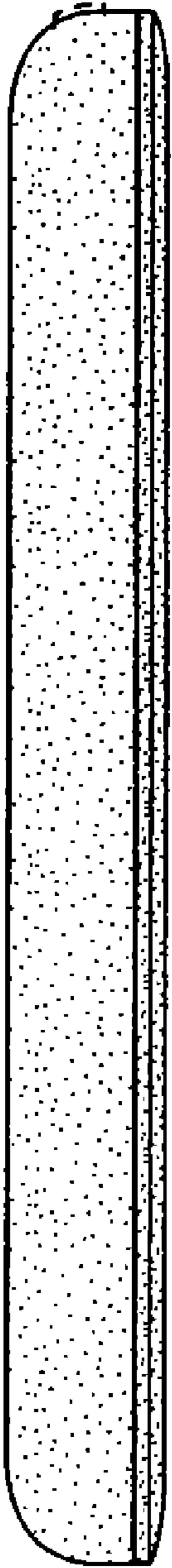


FIG. 14

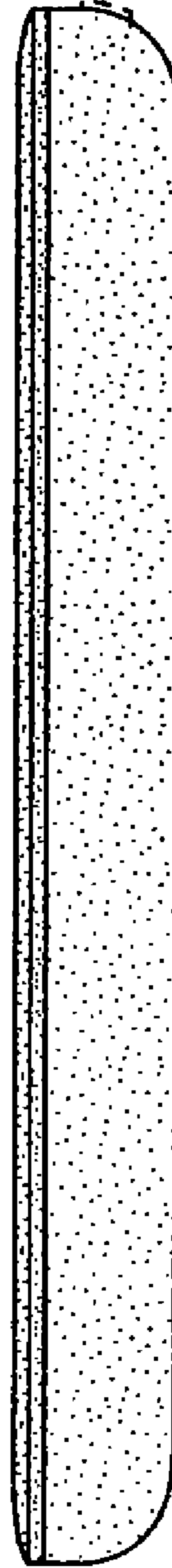


FIG. 15

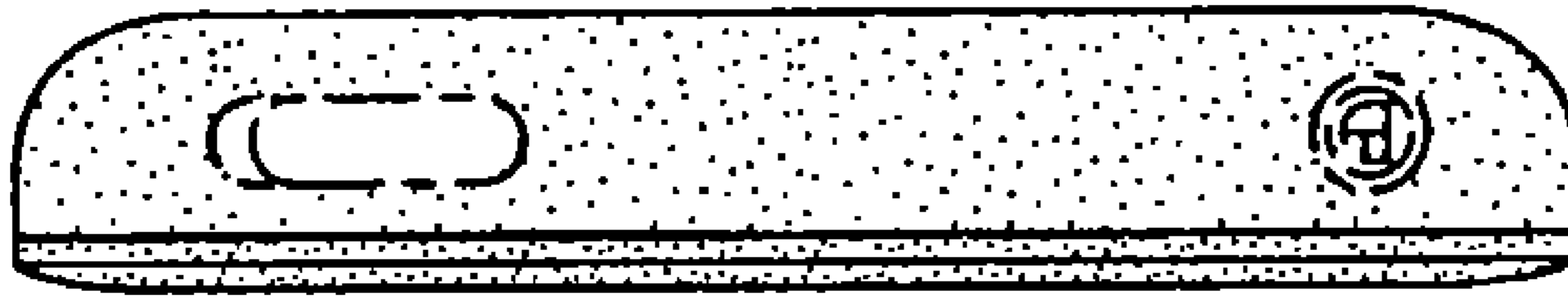


FIG. 16

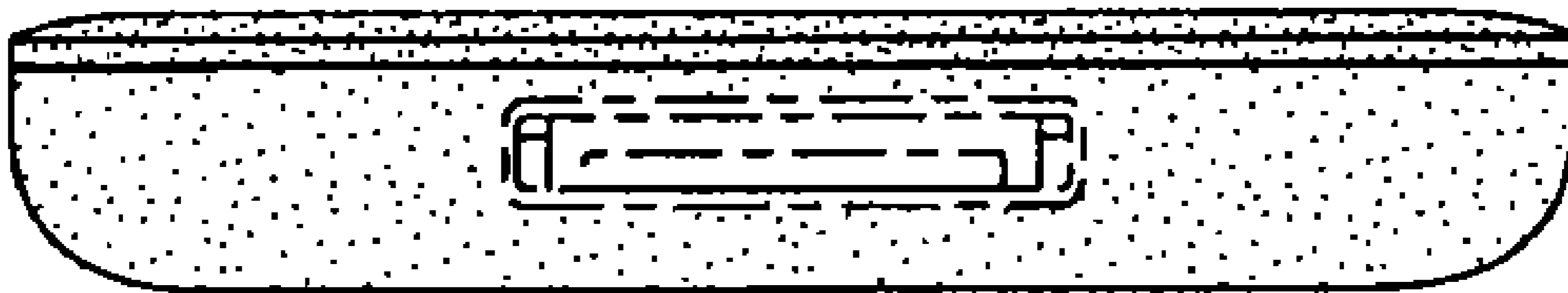


FIG. 17

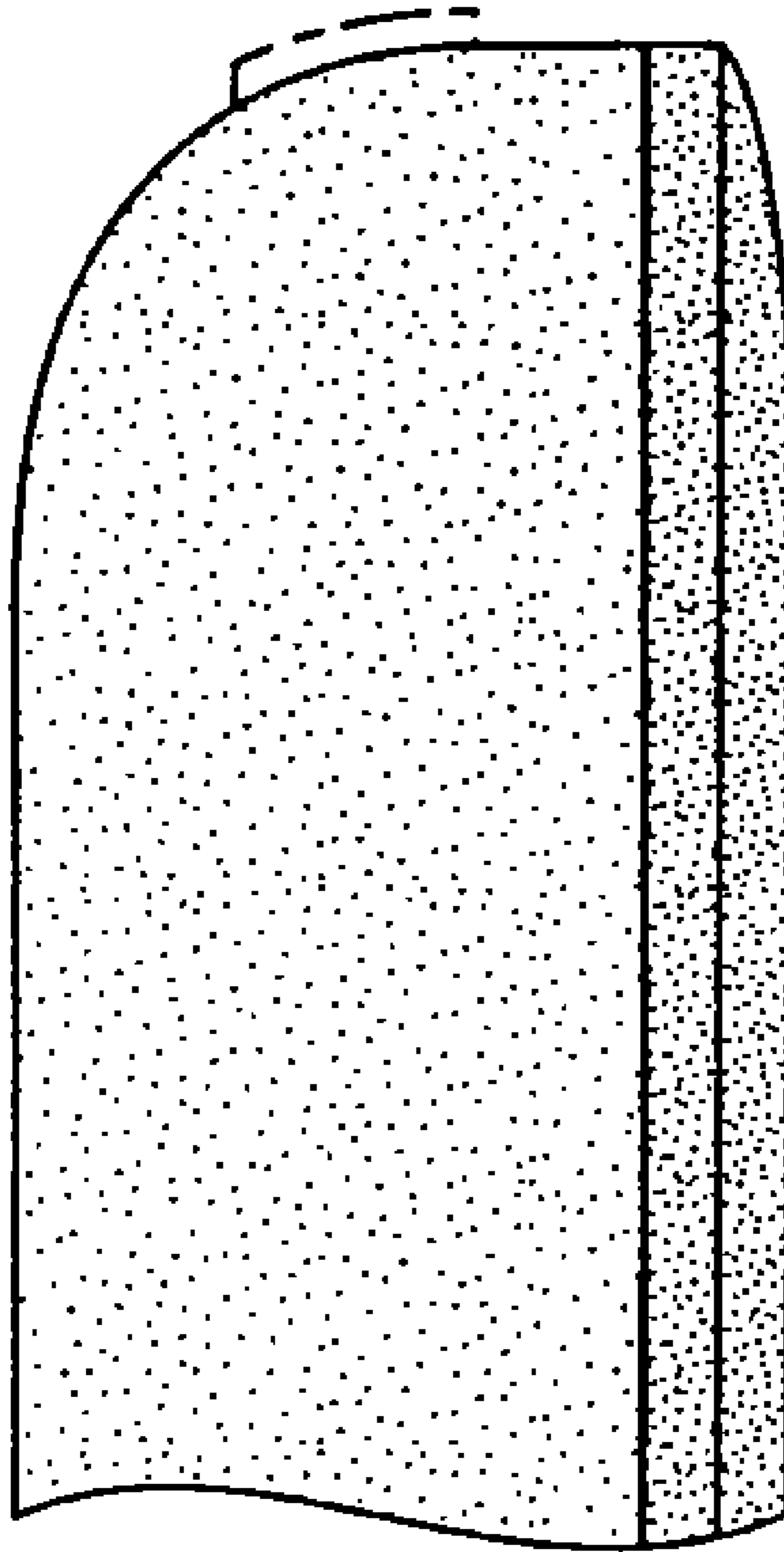


FIG. 18

UNITED STATES PATENT AND TRADEMARK OFFICE  
**CERTIFICATE OF CORRECTION**

PATENT NO. : D614,164 S  
APPLICATION NO. : 29/284274  
DATED : April 20, 2010  
INVENTOR(S) : Andre et al.

Page 1 of 4

It is certified that error appears in the above-identified patent and that said Letters Patent is hereby corrected as shown below:

The title page showing the illustrative figure should be deleted and replaced with the attached title page.

In the drawings, on the sheet 1 of 10 the FIG. 1, and on the sheet 2 of 10 the FIG. 3, should be deleted and replaced with the corrected FIG. 1, and FIG. 3, of the attached pages.

Signed and Sealed this  
Fifth Day of June, 2012

A handwritten signature in black ink that reads "David J. Kappos". The signature is written in a cursive, slightly slanted style.

David J. Kappos  
*Director of the United States Patent and Trademark Office*

(12) **United States Design Patent**  
**Andre et al.**

(10) **Patent No.: US D614,164 S**  
(45) **Date of Patent: \*\* \*Apr. 20, 2010**

(54) **ELECTRONIC DEVICE**

(56)

**References Cited**

(75) **Inventors:** **Bartley K. Andre**, Menlo Park, CA (US); **Daniel J. Coster**, San Francisco, CA (US); **Daniele De Iullis**, San Francisco, CA (US); **Richard P. Howarth**, San Francisco, CA (US); **Jonathan P. Ive**, San Francisco, CA (US); **Steve Jobs**, Palo Alto, CA (US); **Duncan Robert Kerr**, San Francisco, CA (US); **Shin Nishibori**, San Francisco, CA (US); **Matthew Dean Rohrbach**, San Francisco, CA (US); **Peter Russell-Clarke**, San Francisco, CA (US); **Douglas B. Satzger**, Menlo Park, CA (US); **Calvin Q. Seid**, Palo Alto, CA (US); **Vincent Keane Seid**, legal representative, Los Gatos, CA (US); **Christopher J. Stringer**, Portola Valley, CA (US); **Eugene Antony Whang**, San Francisco, CA (US); **Rico Zorkendorfer**, San Francisco, CA (US)

**U.S. PATENT DOCUMENTS**

D425,885	S	5/2000	Amron	
D469,109	S	1/2003	Andre et al.	
D472,245	S	3/2003	Andre et al.	
6,591,085	B1	7/2003	Grady	
6,593,914	B1 *	7/2003	Nuovo et al. ....	345/169
D489,052	S	4/2004	Shiraki et al.	
D494,188	S	8/2004	Huang	
6,781,623	B1 *	8/2004	Thomas .....	348/208.4
D497,618	S	10/2004	Andre et al.	
D506,476	S	6/2005	Andre et al.	
D507,277	S	7/2005	Sitoh	
D509,833	S	9/2005	Yang	
D513,512	S	1/2006	Tsai	
D514,121	S	1/2006	Johnson	
D515,099	S	2/2006	Lee	
D516,576	S	3/2006	Ive et al.	
D516,579	S	3/2006	Nakamura	
D517,088	S	3/2006	Chong et al.	
D519,523	S	4/2006	Chiu et al.	
D520,020	S	5/2006	Senda et al.	
7,046,230	B2	5/2006	Zadesky et al.	
D538,820	S	3/2007	Andre et al.	
D541,298	S	4/2007	Andre et al.	
D548,744	S	8/2007	Andre et al.	
D548,747	S	8/2007	Andre et al.	
D572,267	S	7/2008	Andre et al.	
D584,303	S *	1/2009	Andre et al. ....	D14/341
D584,740	S *	1/2009	Sheba et al. ....	D14/496
D584,742	S *	1/2009	Sheba et al. ....	D14/496
D587,280	S *	2/2009	Lee et al. ....	D14/496
D589,979	S *	4/2009	Andre et al. ....	D14/496
2004/0224638	A1	11/2004	Fadell et al.	

(73) **Assignee:** **Apple Inc.**, Cupertino, CA (US)

(\* ) **Notice:** This patent is subject to a terminal disclaimer.

(\*\*) **Term:** **14 Years**

(21) **Appl. No.:** **29/284,274**

(22) **Filed:** **Sep. 5, 2007**

(51) **LOC (9) Cl.** ..... **14-03**

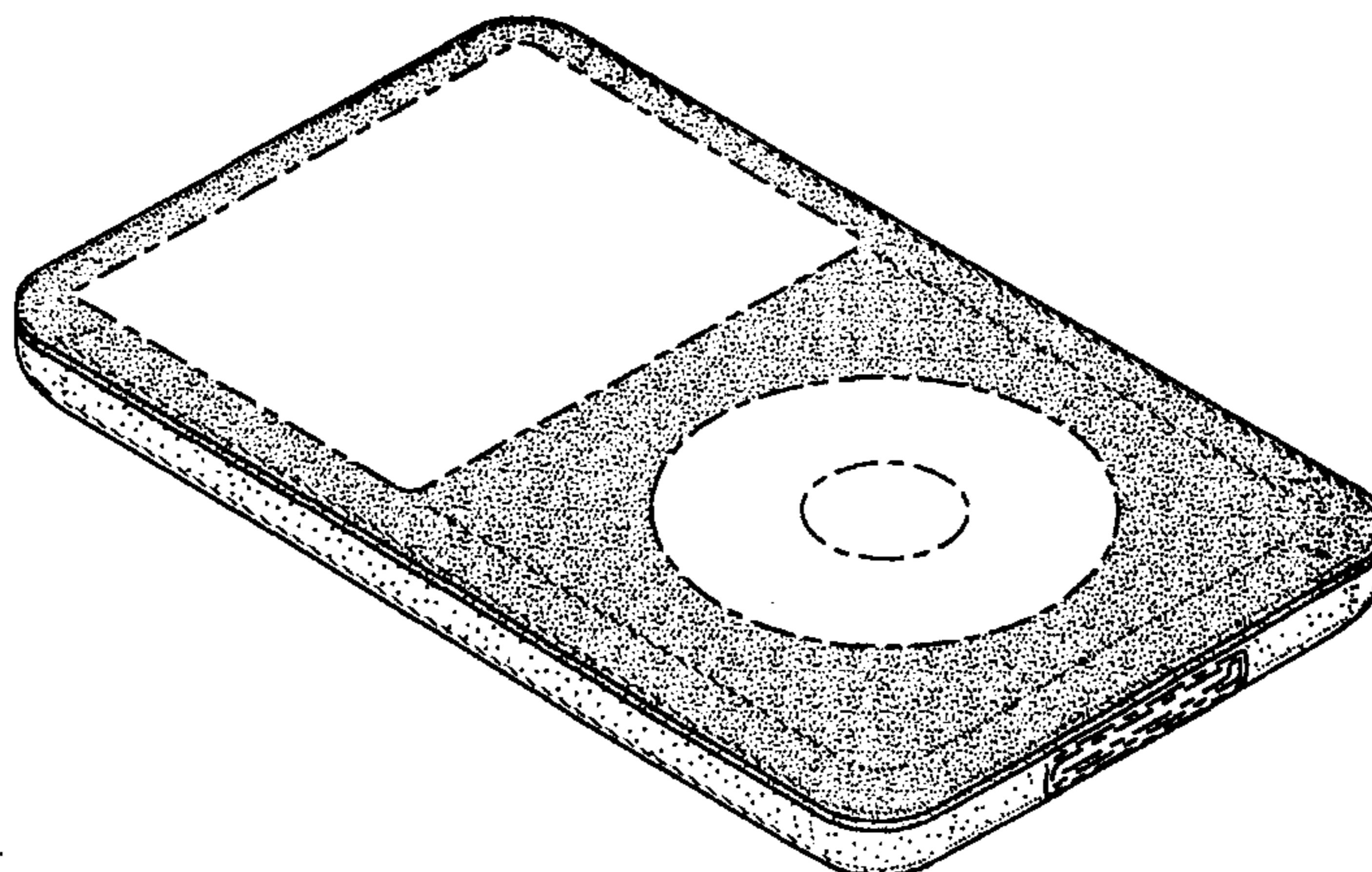
(52) **U.S. Cl.** ..... **D14/203.7; D14/496**

(58) **Field of Classification Search** ..... **D14/496,**  
**D14/401, 435, 474, 483, 217, 137, 138, 160,**  
**D14/168, 356, 203.1-203.8, 507; 345/156,**  
**345/169, 173-179, 905; 715/727-729, 864;**  
**710/1, 5, 8; 713/1, 600; 455/1.1, 1.7, 73,**  
**455/344-347, 93, 95, 3.01-3.06, 550.1, 573.1;**  
**370/342-344; 369/1, 2, 6-12; 463/43-47;**  
**273/148 B**

See application file for complete search history.

**FOREIGN PATENT DOCUMENTS**

CN	3260632D	10/2002
CN	3260633D	10/2002
CN	3286007D	4/2003
CN	3287344D	4/2003
CN	3331371D	10/2003
CN	3339759D	12/2003
CN	3375890D	6/2004
CN	3380859D	7/2004
CN	3389184D	9/2004
CN	3453893D	6/2005
CN	3453894D	6/2005





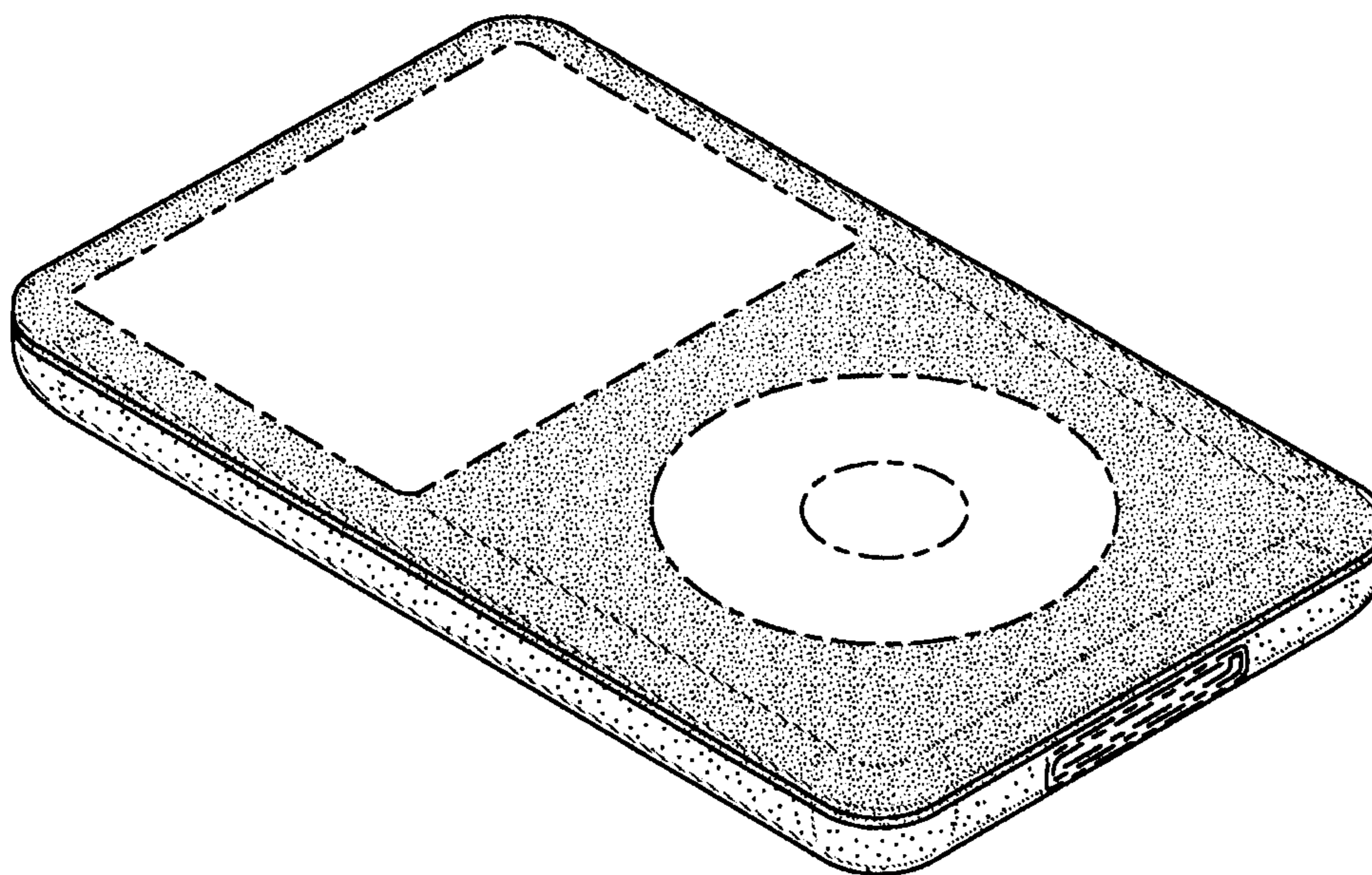


FIG. 1

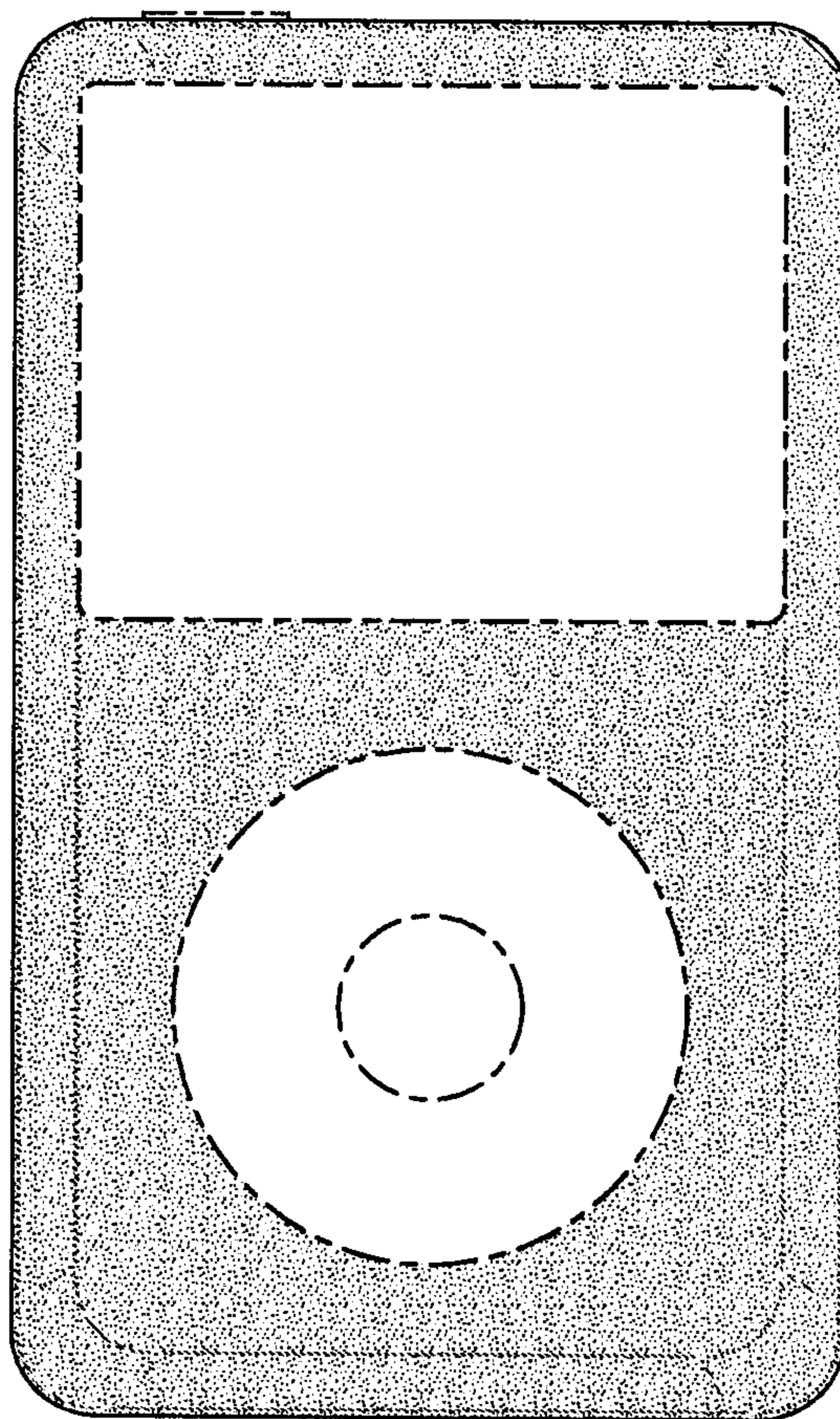


FIG. 3