

US00D614160S

(12) **United States Design Patent**  
**Glaspie**

(10) **Patent No.:** **US D614,160 S**

(45) **Date of Patent:** **\*\* Apr. 20, 2010**

(54) **COMBINED AUTOMOBILE RADIO, DIGITAL RECORDER, MP3 PLAYER, AND CD PLAYER WITH USB PORTS**

D486,135 S \* 2/2004 Hori et al. .... D14/157  
6,779,196 B1 8/2004 Igbinalolor  
D506,456 S \* 6/2005 Shindo ..... D14/506  
D561,755 S \* 2/2008 Riede ..... D14/257  
D565,061 S \* 3/2008 Tsuboi ..... D14/496

(76) Inventor: **Orondo L. Glaspie**, 8321 W. Sahara Ave., Apt. 2163, Las Vegas, NV (US) 89117

\* cited by examiner

(\*\*) Term: **14 Years**

*Primary Examiner*—Nanda Bondade

(21) Appl. No.: **29/343,030**

(74) *Attorney, Agent, or Firm*—Crossley Patent Law; Mark A. Crossley

(22) Filed: **Sep. 4, 2009**

(57) **CLAIM**

(51) **LOC (9) Cl.** ..... **14-01**

The ornamental design for a combined automobile radio, digital recorder, MP3 player, and CD player with USB ports, as shown and described.

(52) **U.S. Cl.** ..... **D14/157**

(58) **Field of Classification Search** ..... D14/496,  
D14/498–511, 157, 168, 188, 197–198, 257–258;  
360/99.02, 99.07; 369/6, 7, 75.11, 75.21,  
369/77.11, 77.21; 720/601, 612, 619, 649,  
720/655; 455/344, 347–351; 725/74–76,  
725/80

**DESCRIPTION**

See application file for complete search history.

FIG. 1 is a front elevation view of a combined automobile radio, digital recorder, MP3 player, and CD player with USB ports showing my new design;

FIG. 2 is a rear elevation view thereof;

FIG. 3 is a right elevation view thereof;

FIG. 4 is a left elevation view thereof;

FIG. 5 is a top plan view thereof;

FIG. 6 is a bottom plan view thereof; and,

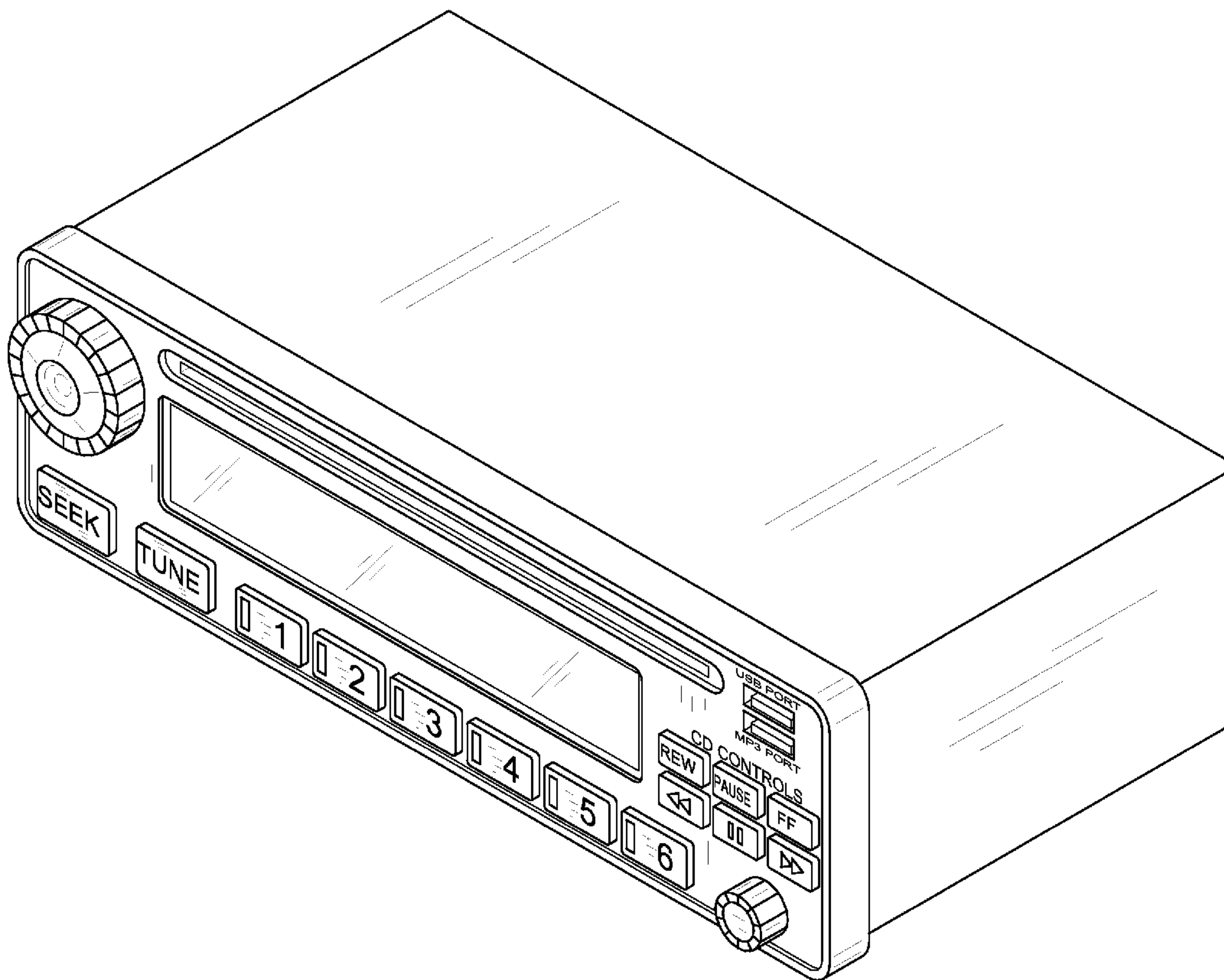
FIG. 7 is an isometric view thereof.

(56) **References Cited**

U.S. PATENT DOCUMENTS

5,633,837 A 5/1997 Gantt  
6,067,278 A 5/2000 Owens et al.  
D442,935 S 5/2001 Luciano  
6,665,234 B2 12/2003 Goodman et al.

**1 Claim, 6 Drawing Sheets**



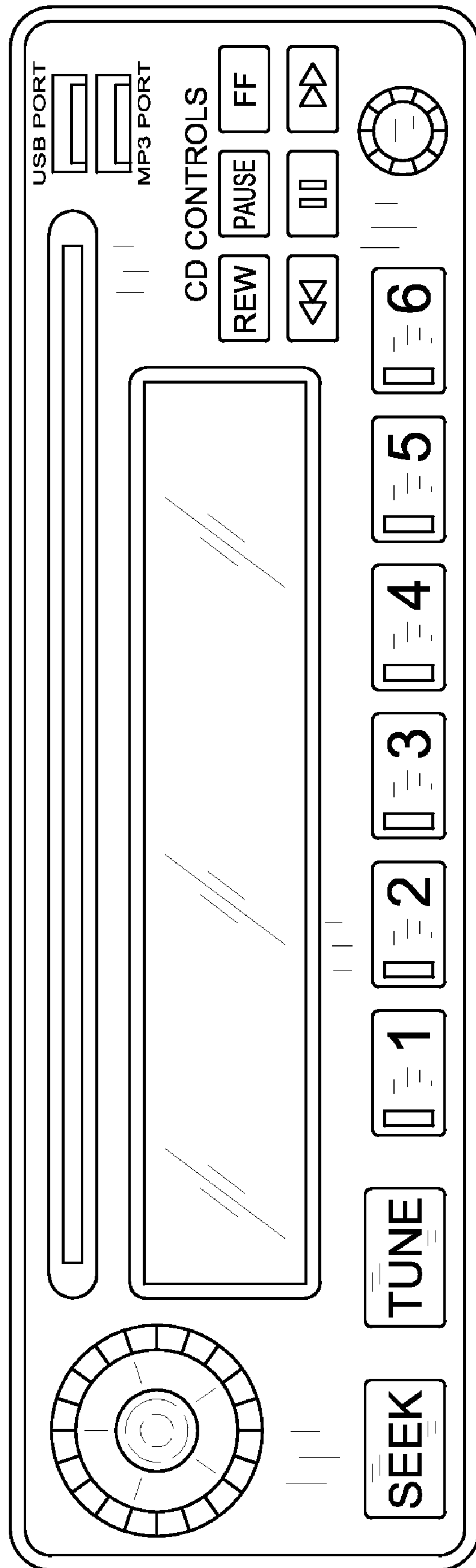


FIG. 1

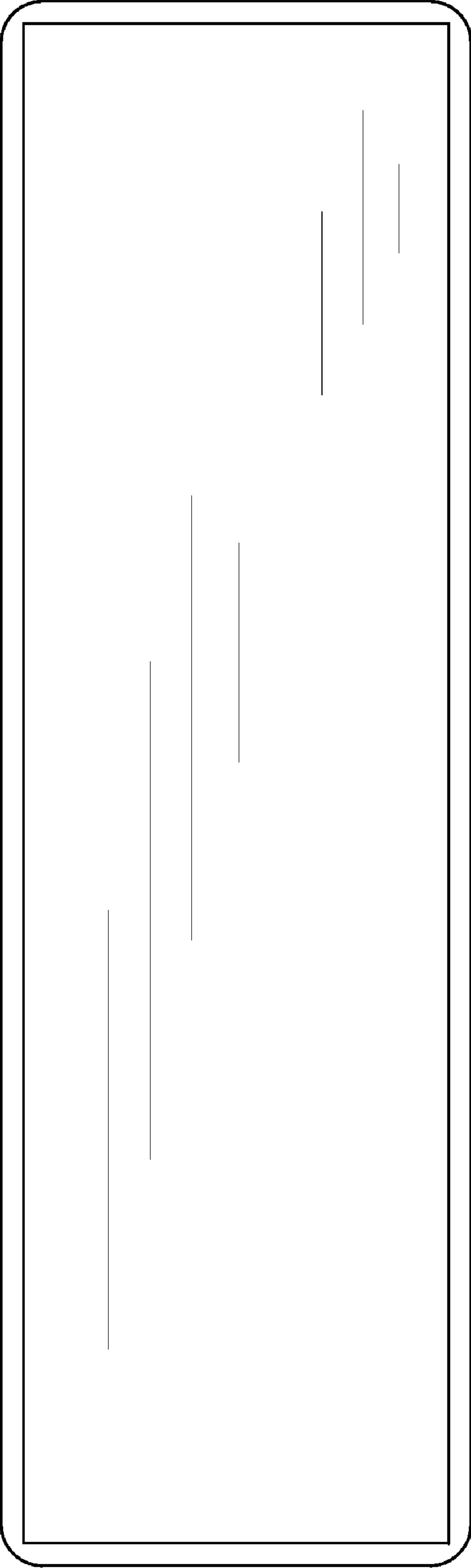


FIG. 2

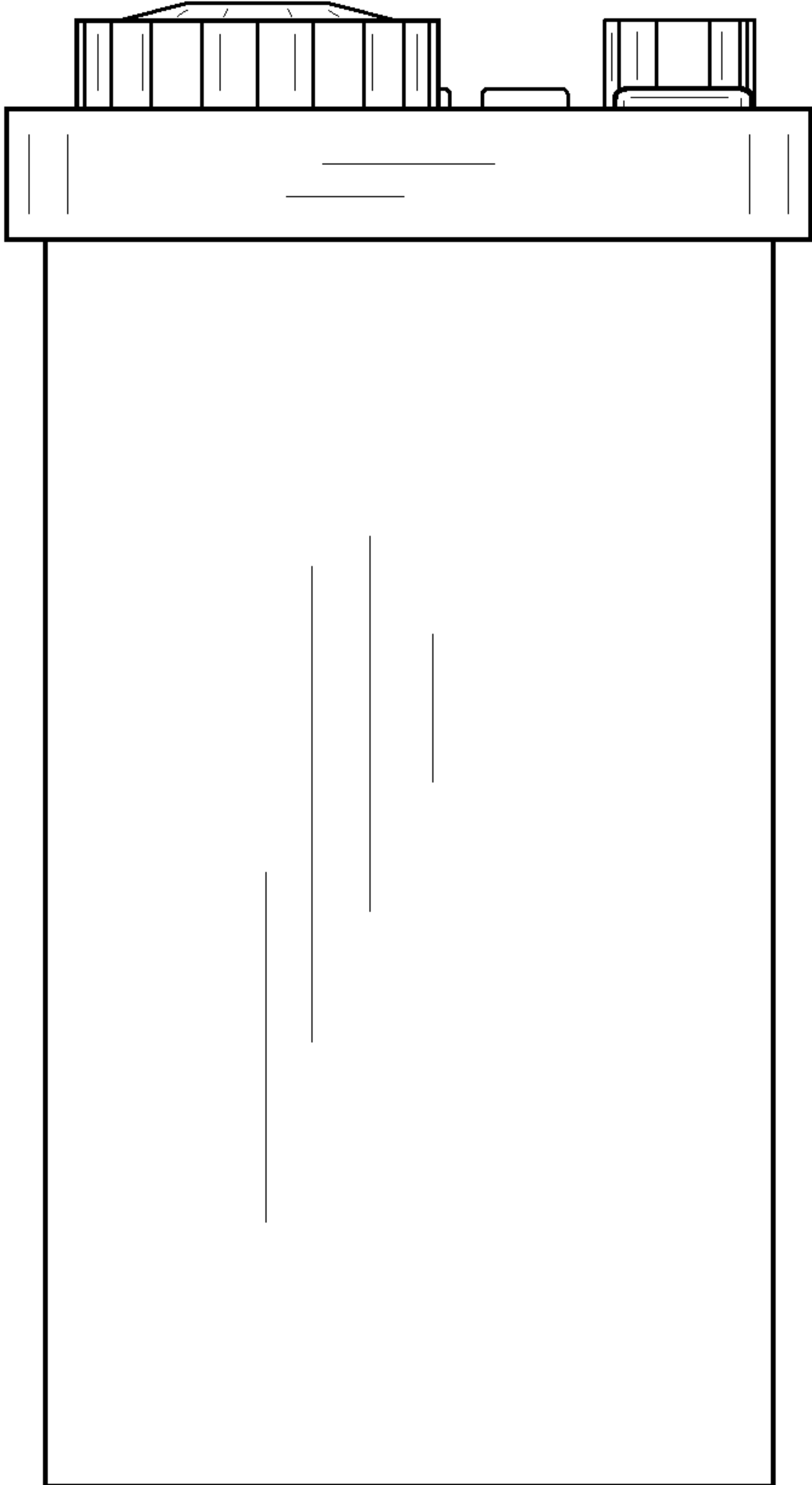


FIG. 3

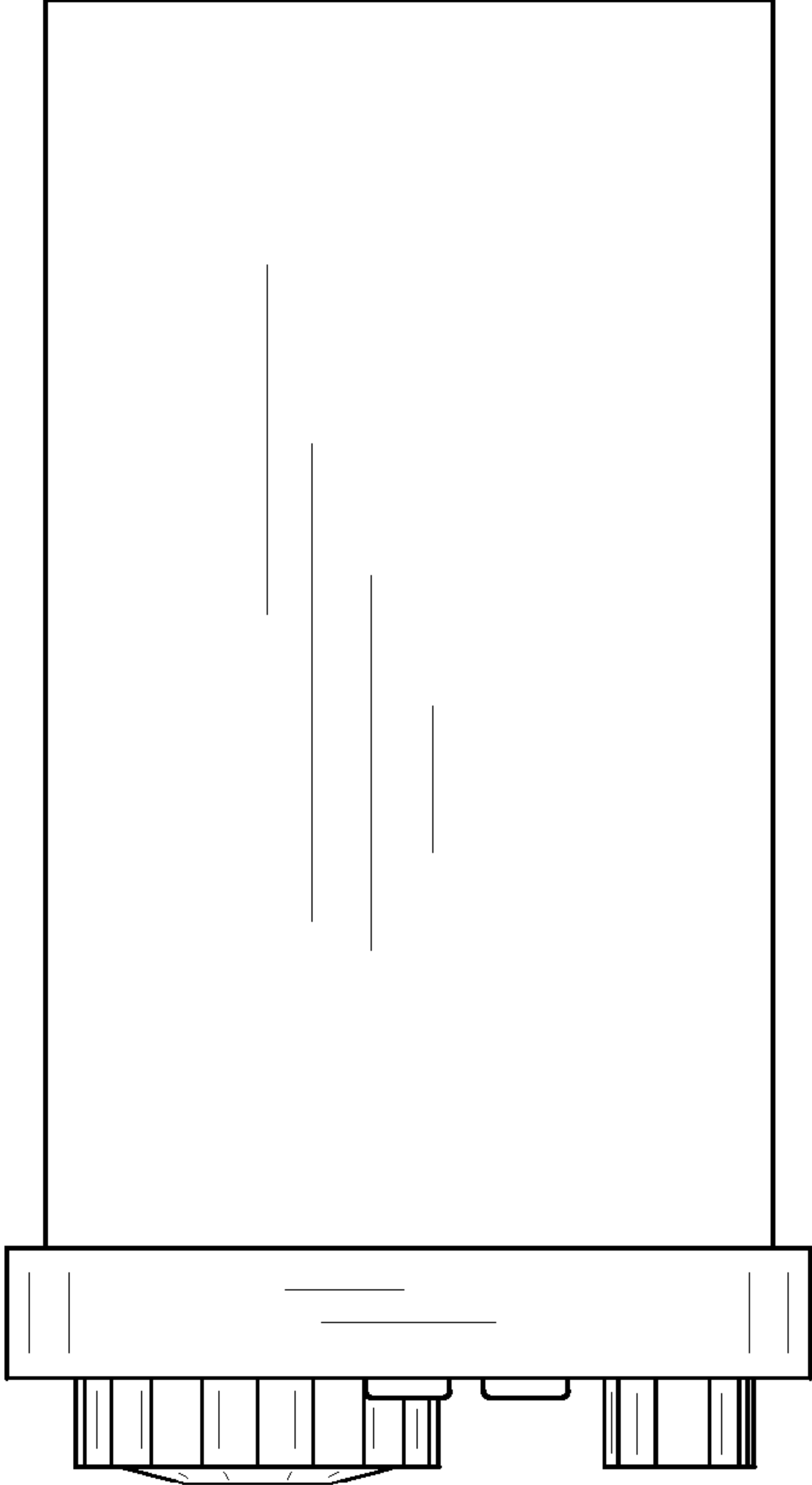


FIG. 4

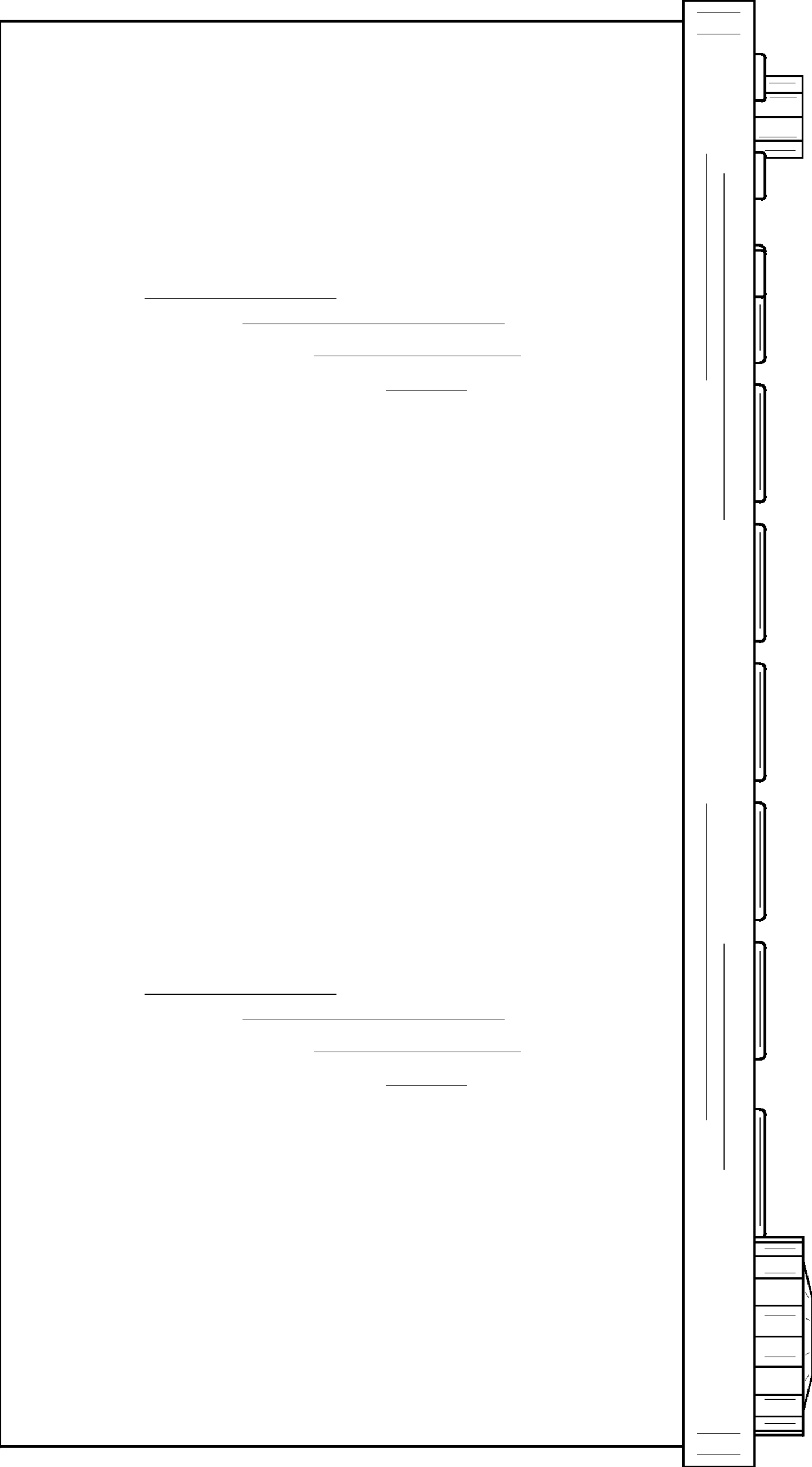


FIG. 5

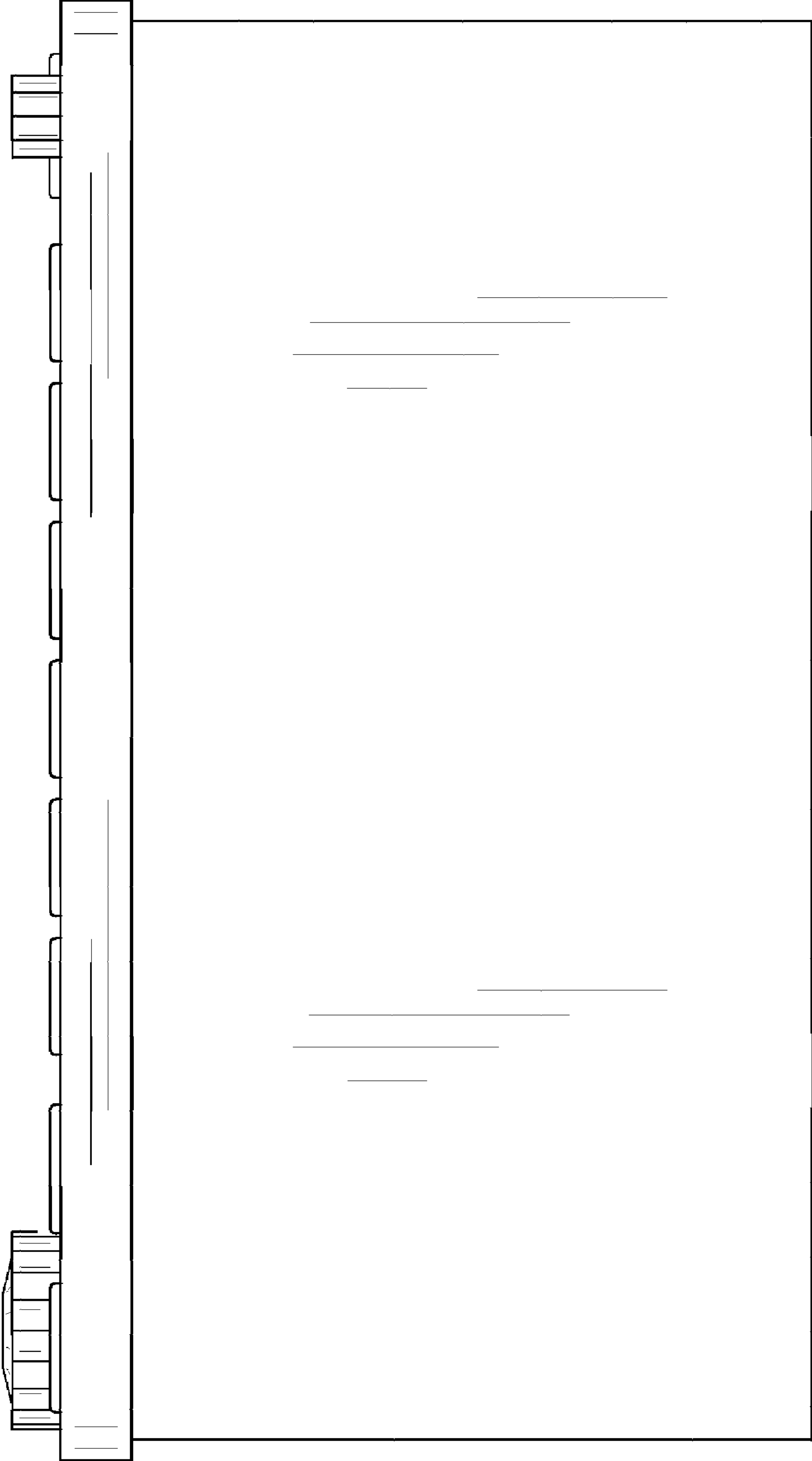


FIG. 6

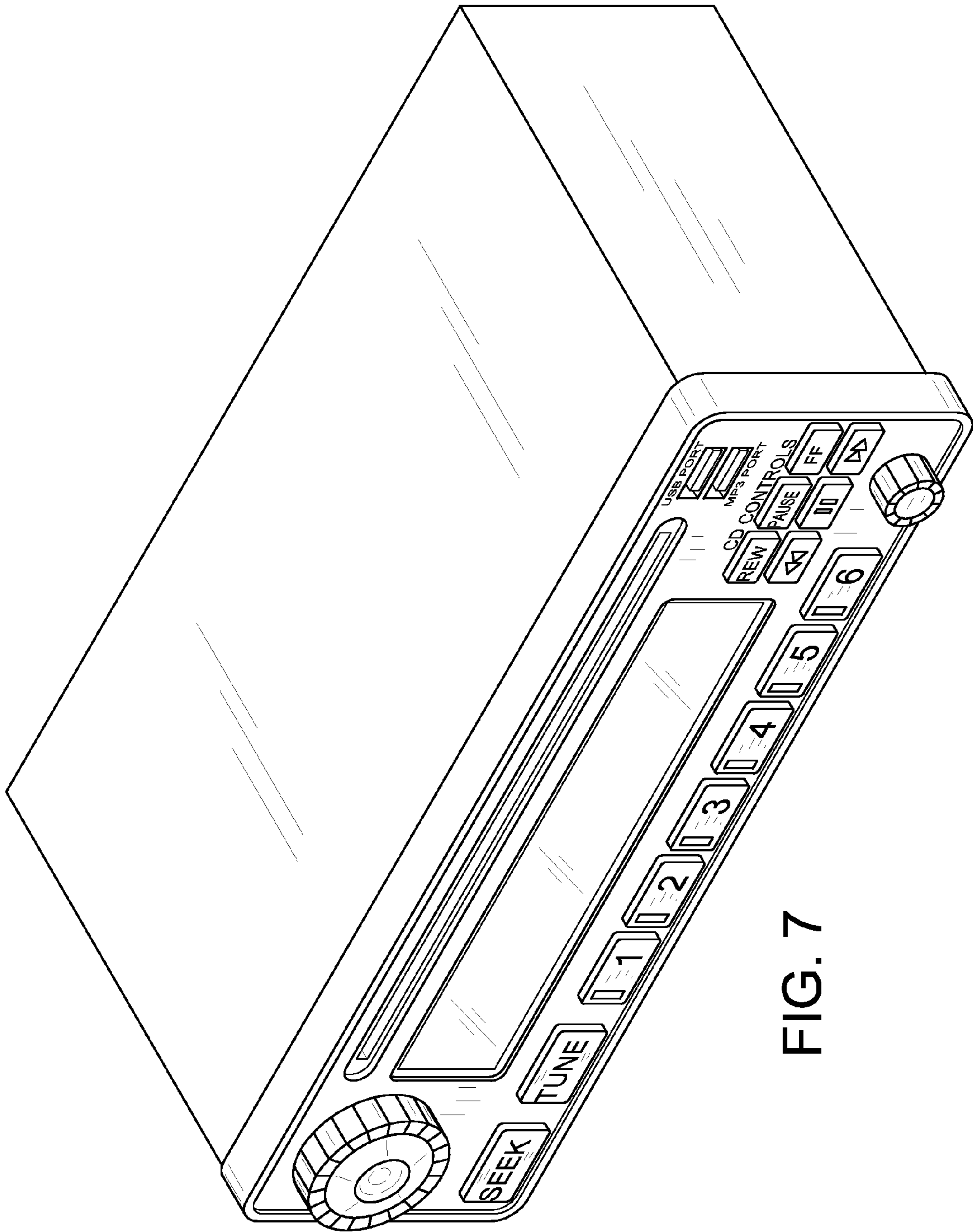


FIG. 7