



US00D614153S

(12) **United States Design Patent**
Fondurulia et al.

(10) **Patent No.:** **US D614,153 S**
(45) **Date of Patent:** **** Apr. 20, 2010**

- (54) **REACTANT SOURCE VESSEL**
- (75) Inventors: **Kyle Fondurulia**, Phoenix, AZ (US);
Eric J Shero, Phoenix, AZ (US);
Mohith Verghese, Phoenix, AZ (US);
Carl L White, Gilbert, AZ (US)
- (73) Assignee: **ASM America, Inc.**, Phoenix, AZ (US)
- (**) Term: **14 Years**
- (21) Appl. No.: **29/334,984**
- (22) Filed: **Apr. 6, 2009**

D490,886 S *	6/2004	Engerant	D23/366
D491,257 S *	6/2004	Picken, Jr.	D23/366
D493,515 S *	7/2004	Morillas	D23/366
D494,668 S *	8/2004	Morillas	D23/366
D497,423 S *	10/2004	Muir et al.	D23/366
D497,986 S *	11/2004	Morillas	D23/366
D498,836 S *	11/2004	Morillas	D23/366
6,905,514 B2	6/2005	Carignan et al.	
7,186,385 B2	3/2007	Ganguli et al.	
D544,088 S *	6/2007	Wu	D23/368

(Continued)

FOREIGN PATENT DOCUMENTS

GB 2 151 662 7/1985

Primary Examiner—Sandra Snapp

(74) *Attorney, Agent, or Firm*—Knobbe, Martens, Olson & Bear LLP

- Related U.S. Application Data**
- (63) Continuation of application No. 11/870,374, filed on Oct. 10, 2007.
- (51) **LOC (9) Cl.** **13-03**
- (52) **U.S. Cl.** **D13/182; D23/366**
- (58) **Field of Classification Search** D23/355–369;
D28/5, 6; 261/DIG. 17, DIG. 42, DIG. 65,
261/DIG. 88, DIG. 89; 392/386, 390, 391,
392/392, 394, 395, 389, 393; 239/34, 35,
239/43–45, 53, 56, 57, 60, 326, 42, 50, 55;
D13/182; 156/345.29, 345.33, 345.4, 345.5,
156/345.51, 345.52, 345.53, 345.54; 279/128;
361/230
See application file for complete search history.

(57) **CLAIM**

The ornamental design for a reactant source vessel, as shown and described.

DESCRIPTION

FIG. 1 is a top perspective view of a reactant source vessel of the present invention;

FIG. 2 is top view thereof;

FIG. 3 is a side view thereof; and,

FIG. 4 is a cross-sectional side view thereof, taken along the line 4—4 of FIG. 2.

The bottom view has been omitted and forms no part of the claimed design.

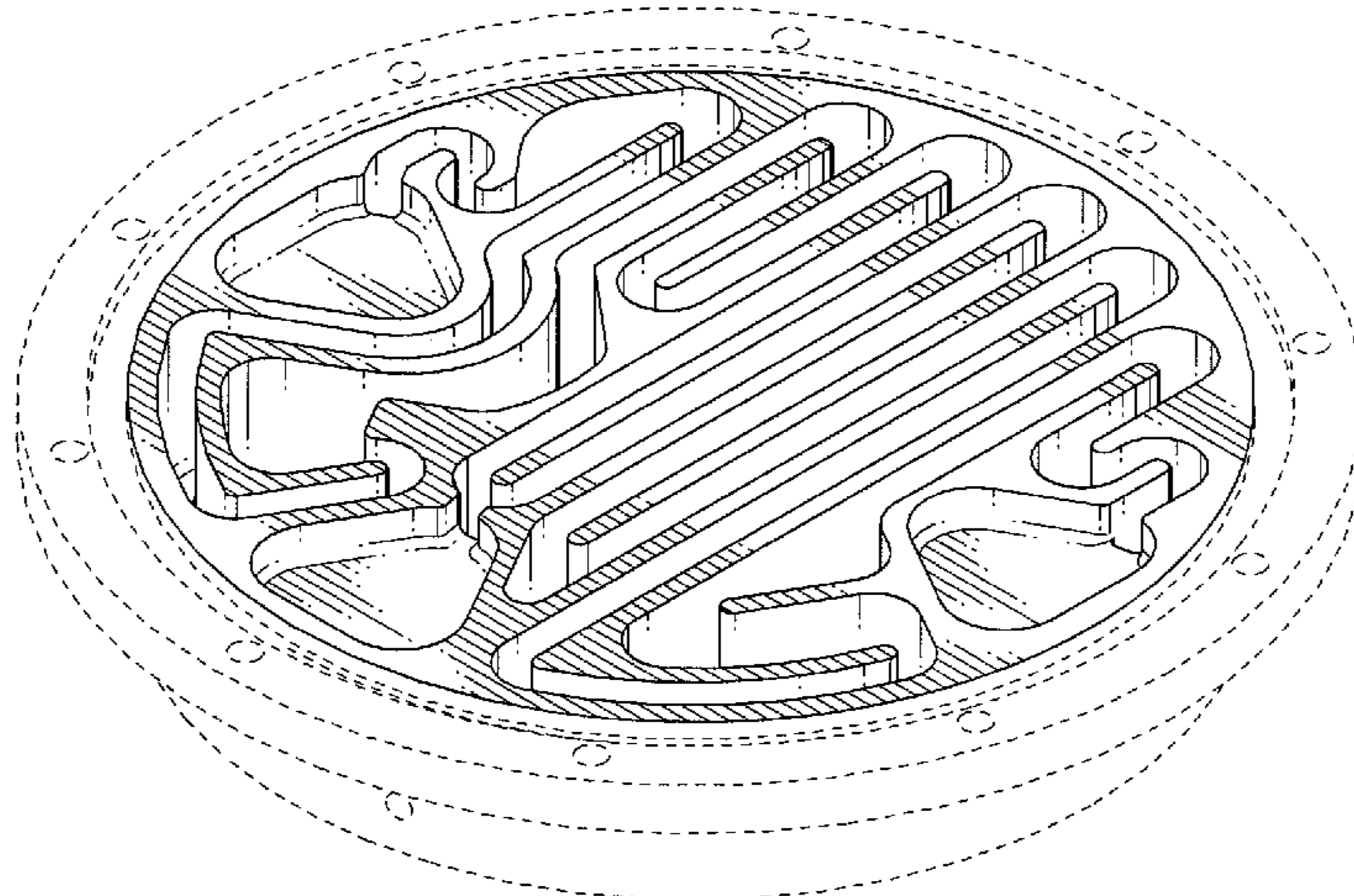
The ornamental design which is claimed is shown in solid lines in the drawings. Any broken lines in the drawings are for illustrative purposes only and form no part of the claimed design.

1 Claim, 2 Drawing Sheets

(56) **References Cited**

U.S. PATENT DOCUMENTS

D212,753 S *	11/1968	Tughan	D23/369
D254,930 S *	5/1980	Mandon et al.	D23/369
D254,931 S *	5/1980	Mandon et al.	D23/369
D255,263 S *	6/1980	Mandon et al.	D23/369
4,883,362 A	11/1989	Gartner et al.	
D323,383 S *	1/1992	Keays et al.	D23/366
D400,973 S *	11/1998	Hall et al.	D23/365
6,037,574 A *	3/2000	Lanham et al.	219/544
D431,075 S *	9/2000	Barraclough	D23/366
D441,441 S *	5/2001	Upson	D23/366
D443,924 S *	6/2001	Renella	D23/366



US D614,153 S

Page 2

U.S. PATENT DOCUMENTS

7,270,709	B2	9/2007	Chen et al.				
D553,104	S *	10/2007	Oohashi et al.	D13/182	D596,731	S *	7/2009 Garcia Fabrega et al. .. D23/366
D555,777	S *	11/2007	Aveldson et al.	D23/365	D601,521	S *	10/2009 Komatsu D13/182
D583,037	S *	12/2008	Kenny	D23/366	2002/0190051	A1 *	12/2002 Wang et al. 219/390
D585,129	S *	1/2009	Huang	D23/366	2004/0016404	A1	1/2004 Gregg et al.
D589,471	S *	3/2009	Komatsu	D13/182	2005/0066893	A1	3/2005 Soininen
D592,948	S *	5/2009	Mayer	D9/418	2005/0072357	A1	4/2005 Shero et al.
					2007/0166146	A1 *	7/2007 Sekiya 414/935

* cited by examiner

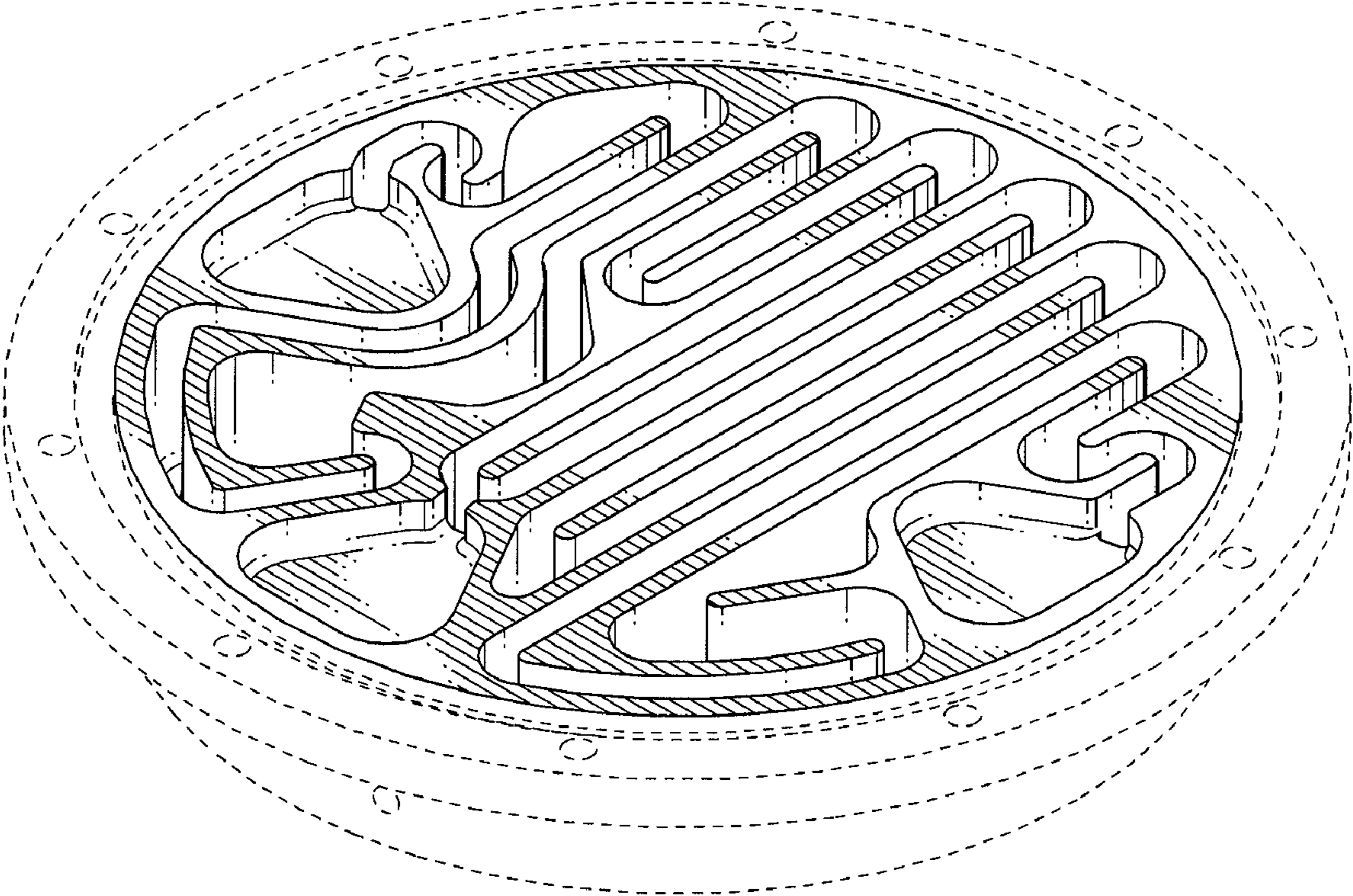


FIG. 1

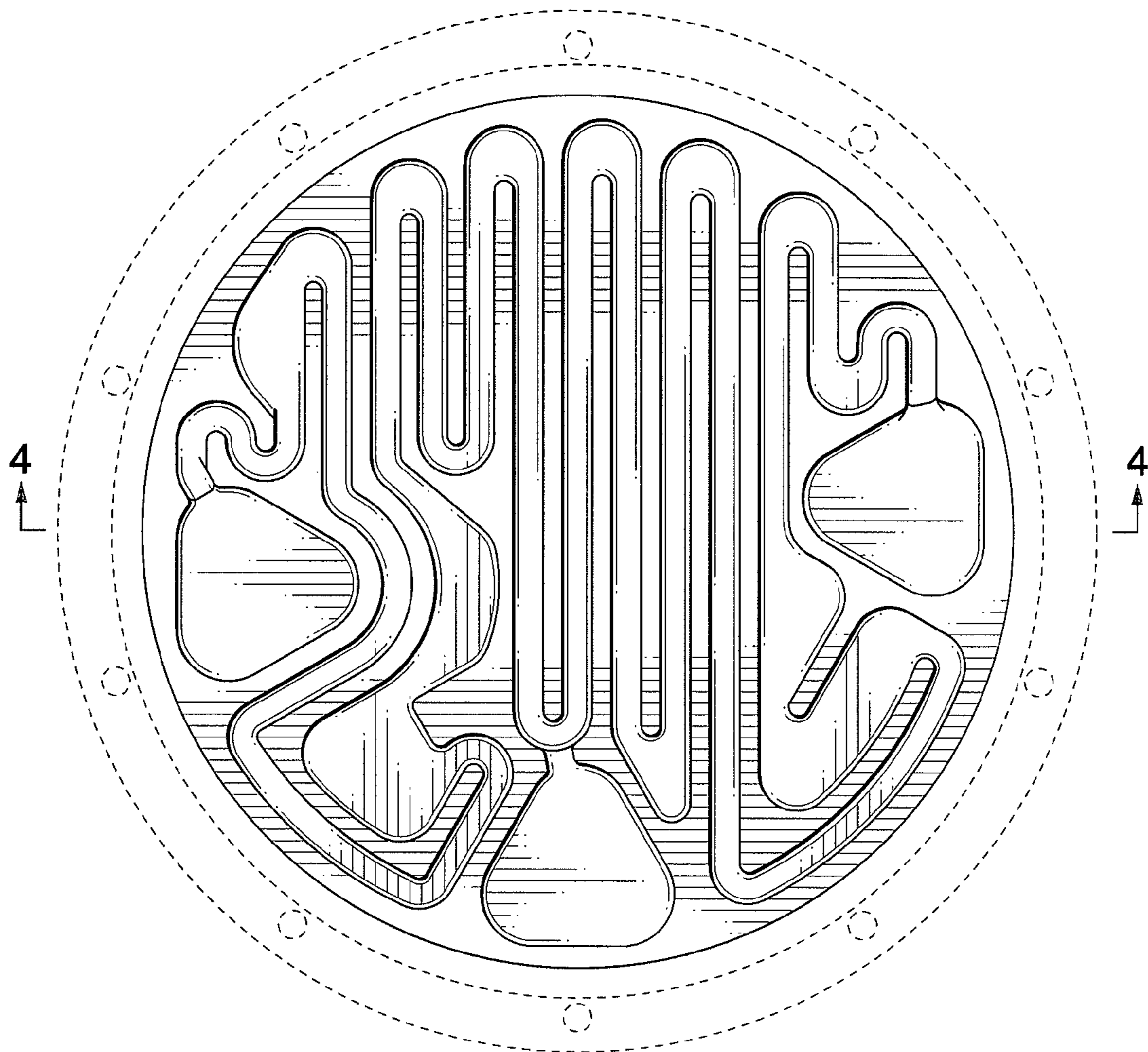


FIG. 2

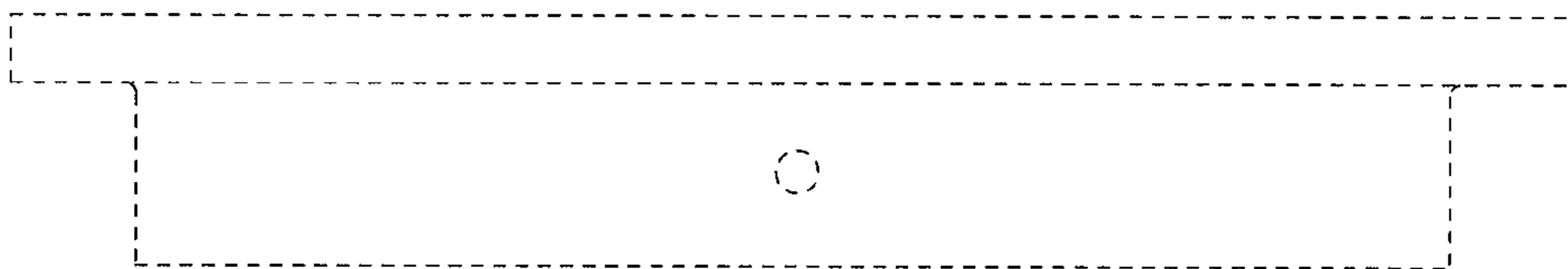


FIG. 3

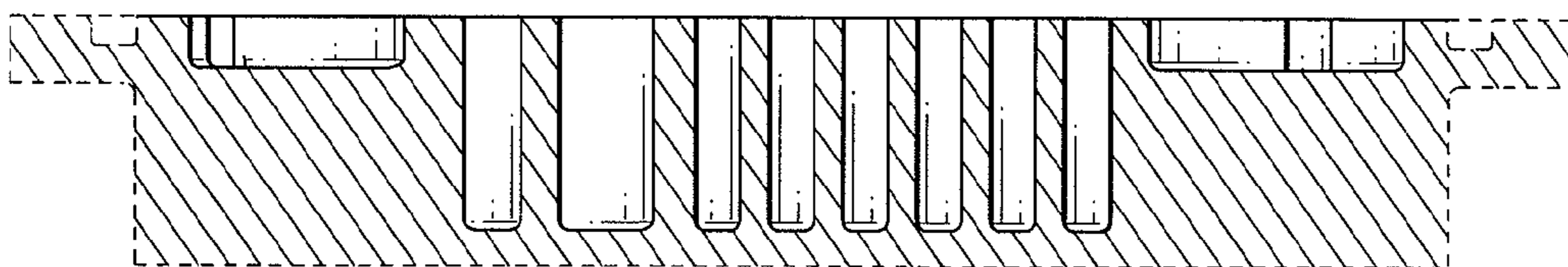


FIG. 4