



US00D614149S

(12) **United States Design Patent**  
**Crites et al.**

(10) **Patent No.:** **US D614,149 S**

(45) **Date of Patent:** **\*\* Apr. 20, 2010**

(54) **ACTUATOR**

(75) Inventors: **Derek Lee Crites**, Niles, MI (US);  
**Patrick B. Blakesley**, Bristol, IN (US)

(73) Assignee: **CTS Corporation**, Elkhart, IN (US)

(\*\*) Term: **14 Years**

(21) Appl. No.: **29/315,507**

(22) Filed: **Jul. 1, 2009**

(51) **LOC (9) Cl.** ..... **13-03**

(52) **U.S. Cl.** ..... **D13/174; D13/158**

(58) **Field of Classification Search** ..... D13/158,  
D13/171, 174; 29/596; 236/74 R; 251/129.11;  
310/71, 83, 89; 318/15; 475/149  
See application file for complete search history.

(56) **References Cited**

**U.S. PATENT DOCUMENTS**

5,937,507	A *	8/1999	Asakura et al.	.....	29/596
6,028,384	A *	2/2000	Billman et al.	.....	310/83
6,509,661	B1 *	1/2003	Kujira et al.	.....	310/89
6,712,727	B2 *	3/2004	Kujira et al.	.....	475/149
6,853,160	B1 *	2/2005	Gandel et al.	.....	318/561
7,070,117	B2 *	7/2006	Kook	.....	236/74 R

D587,661	S *	3/2009	Blakesley	.....	D13/174
2008/0224553	A1 *	9/2008	Abe et al.	.....	310/71
2009/0115270	A1 *	5/2009	Huang et al.	.....	310/71

\* cited by examiner

*Primary Examiner*—Selina Sikder

(74) *Attorney, Agent, or Firm*—Daniel J. Deneufbourg

(57) **CLAIM**

The ornamental design for an actuator, as shown and described.

**DESCRIPTION**

FIG. 1 is a top perspective view of an actuator showing my new design;

FIG. 2 is a bottom perspective view thereof;

FIG. 3 is a front elevational view thereof;

FIG. 4 is a rear elevational view thereof;

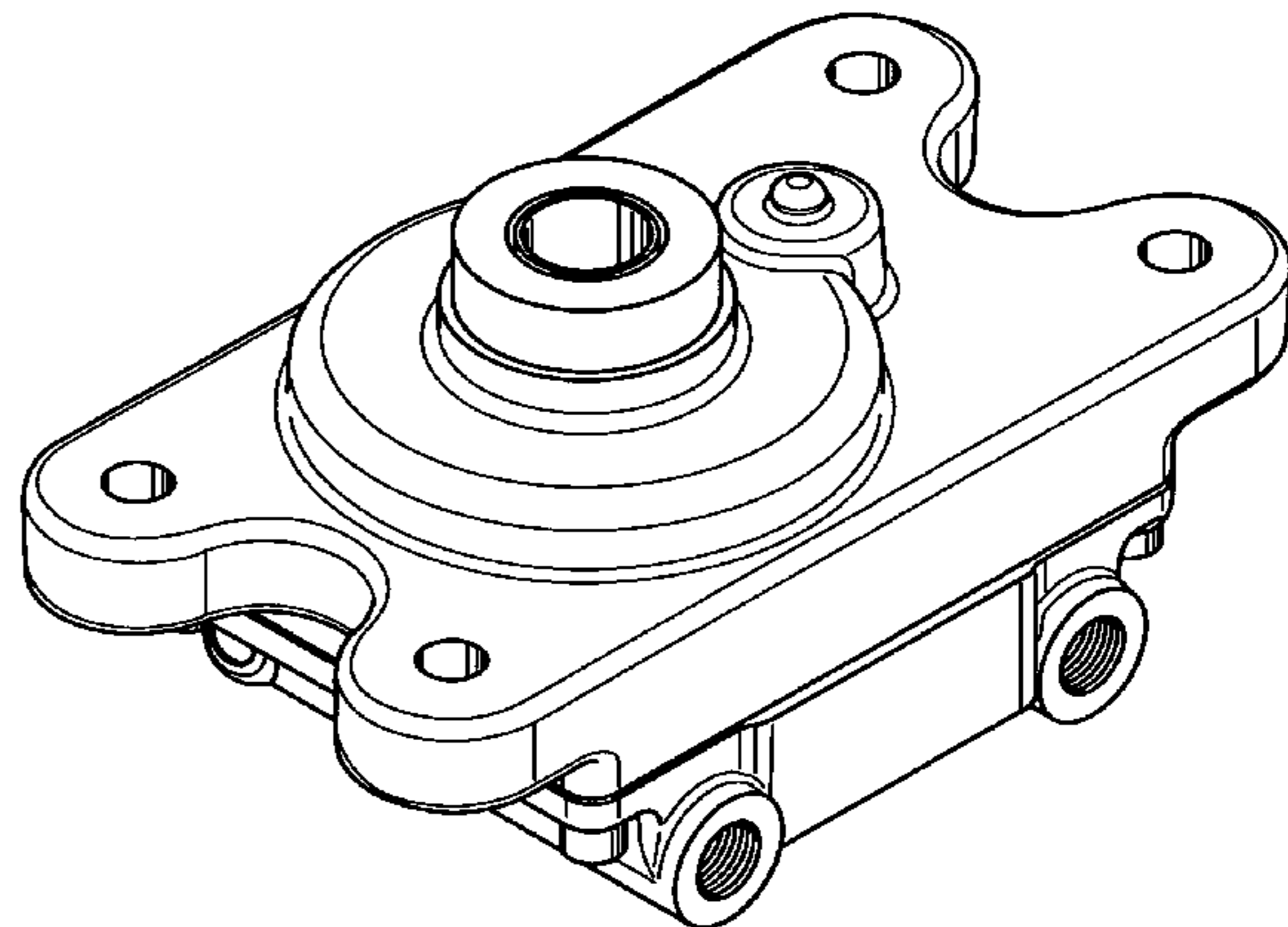
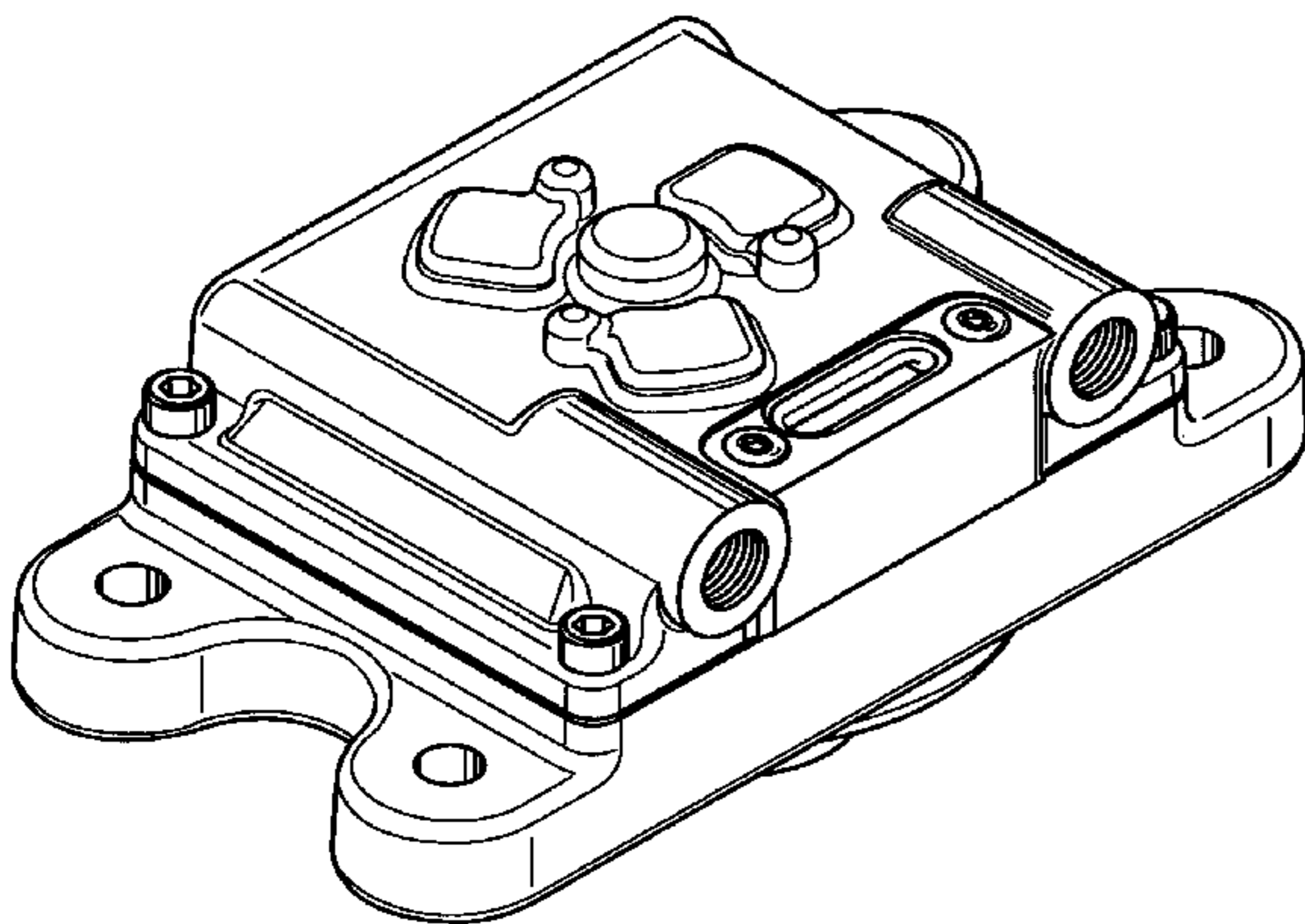
FIG. 5 is a side elevational view thereof;

FIG. 6 is an opposite side elevational view thereof;

FIG. 7 is a top plan view thereof; and,

FIG. 8 is a bottom plan view thereof.

**1 Claim, 4 Drawing Sheets**



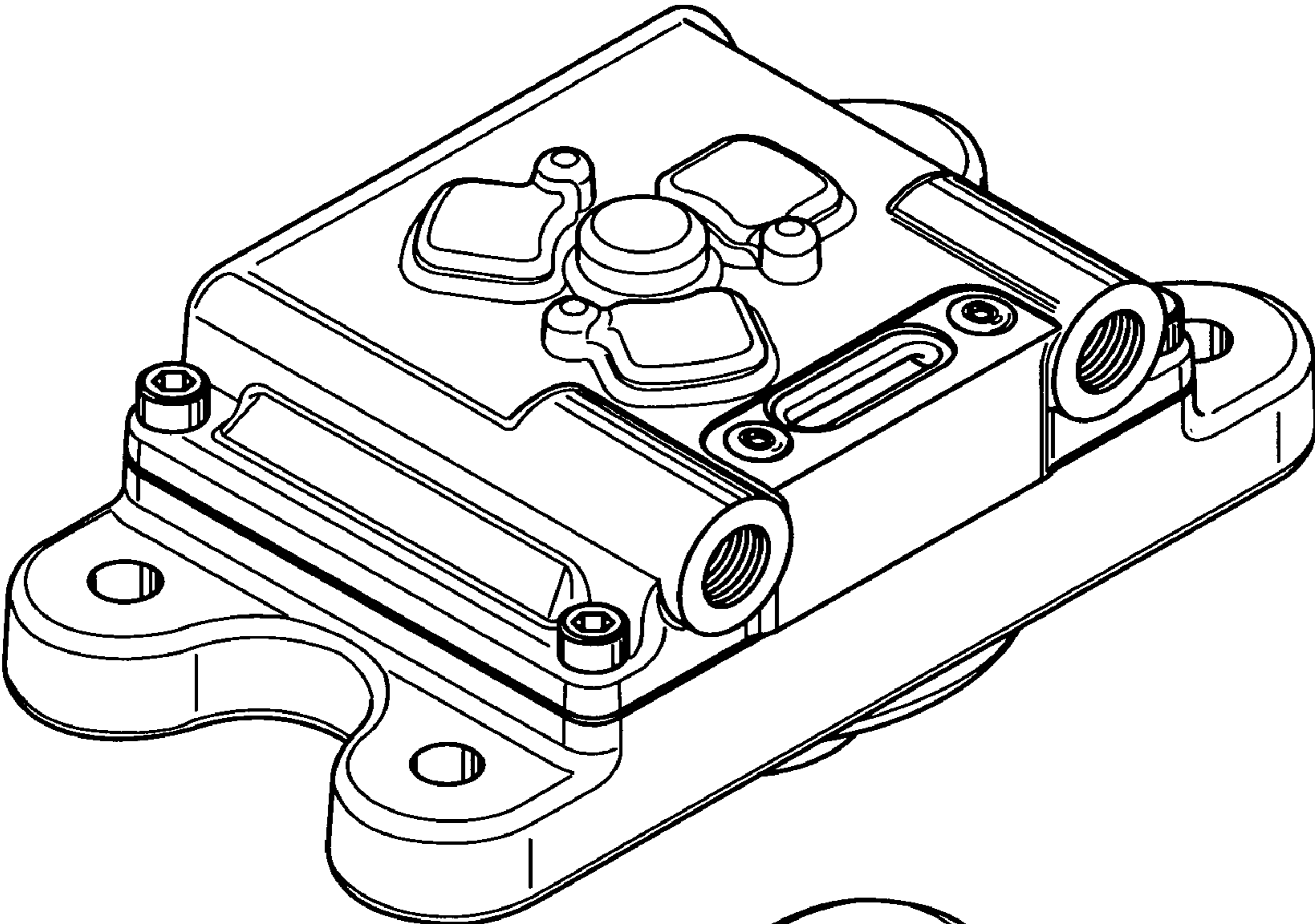


FIGURE 1

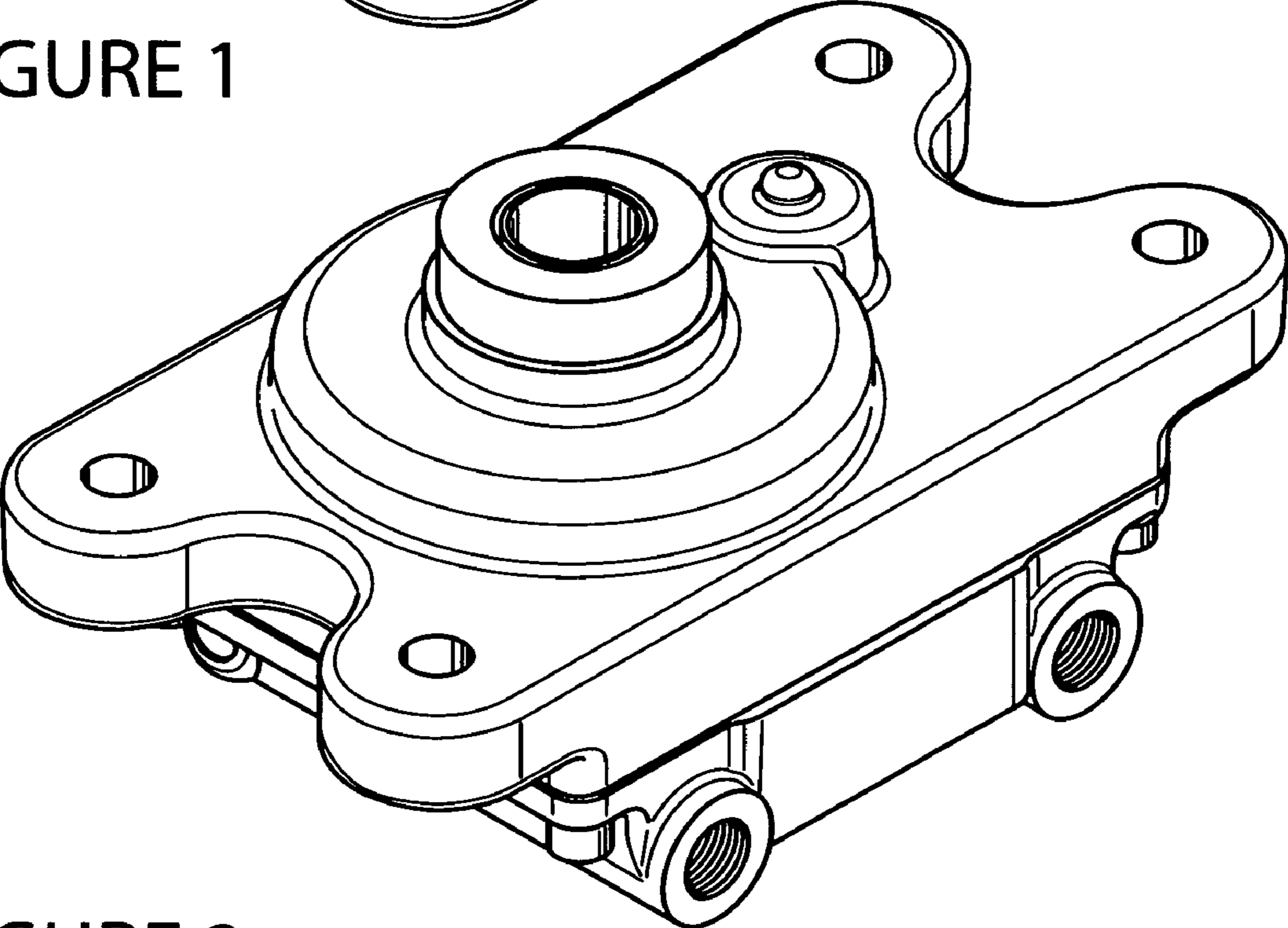


FIGURE 2

FIGURE 3

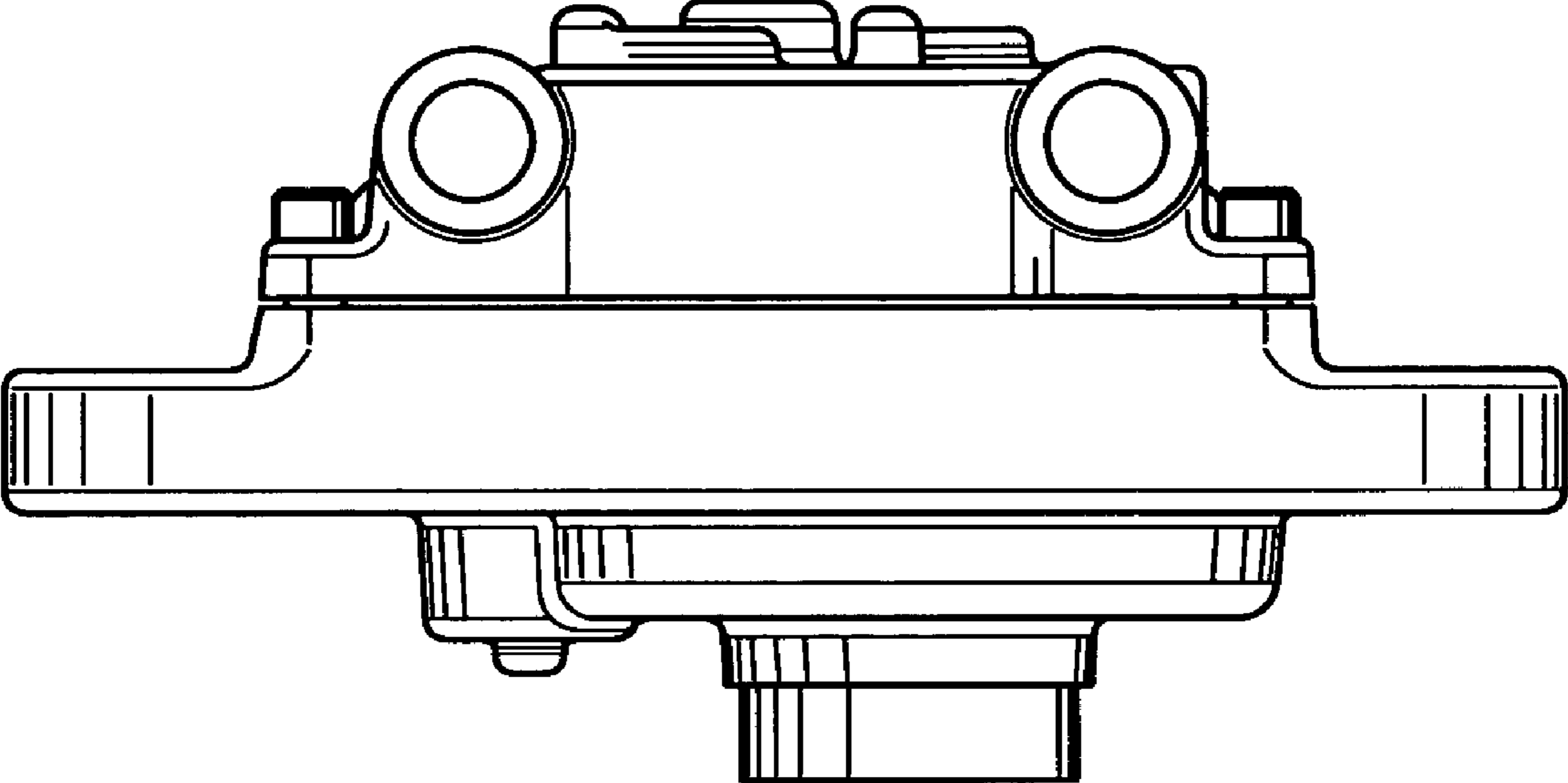


FIGURE 4

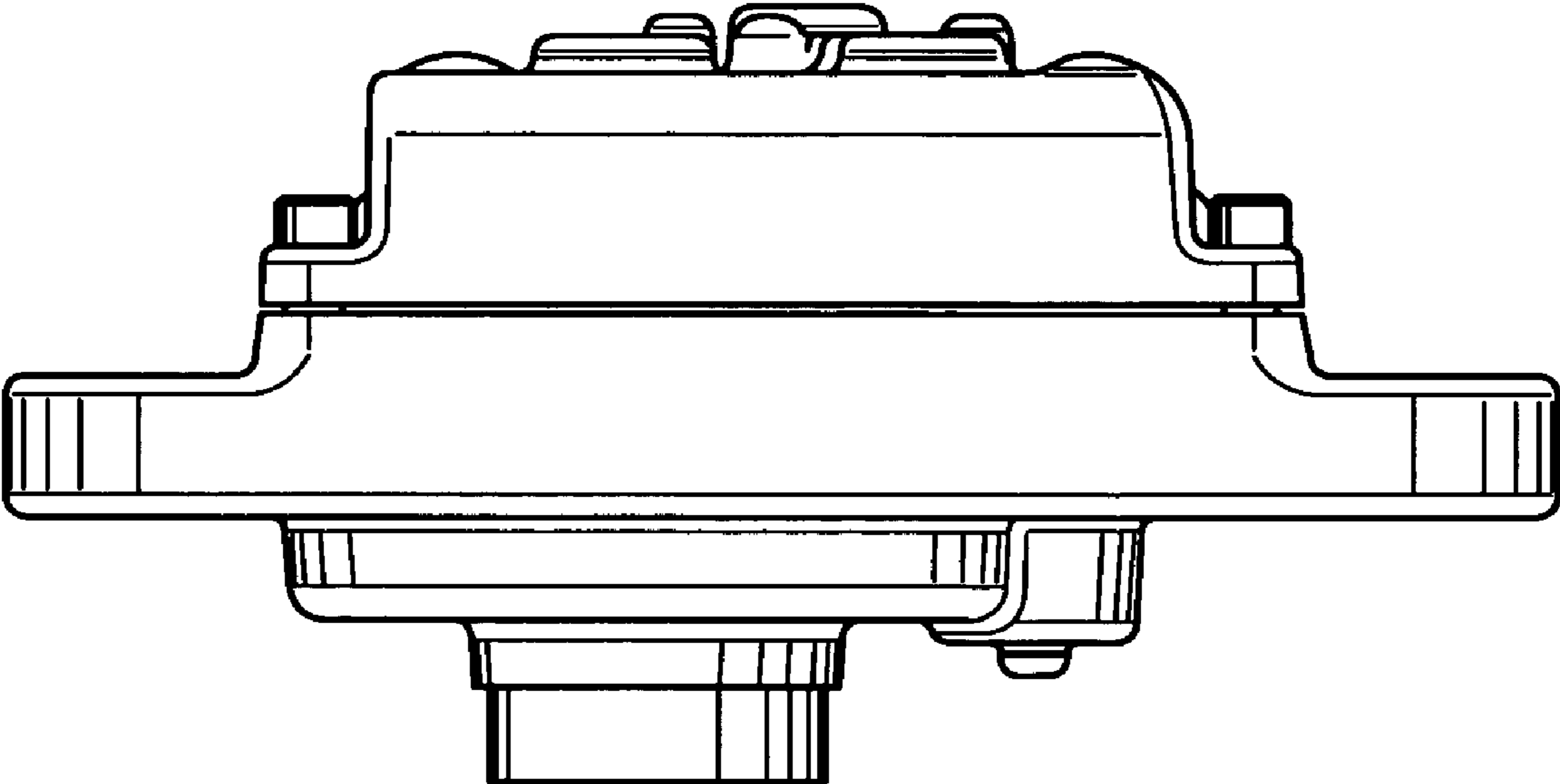


FIGURE 5

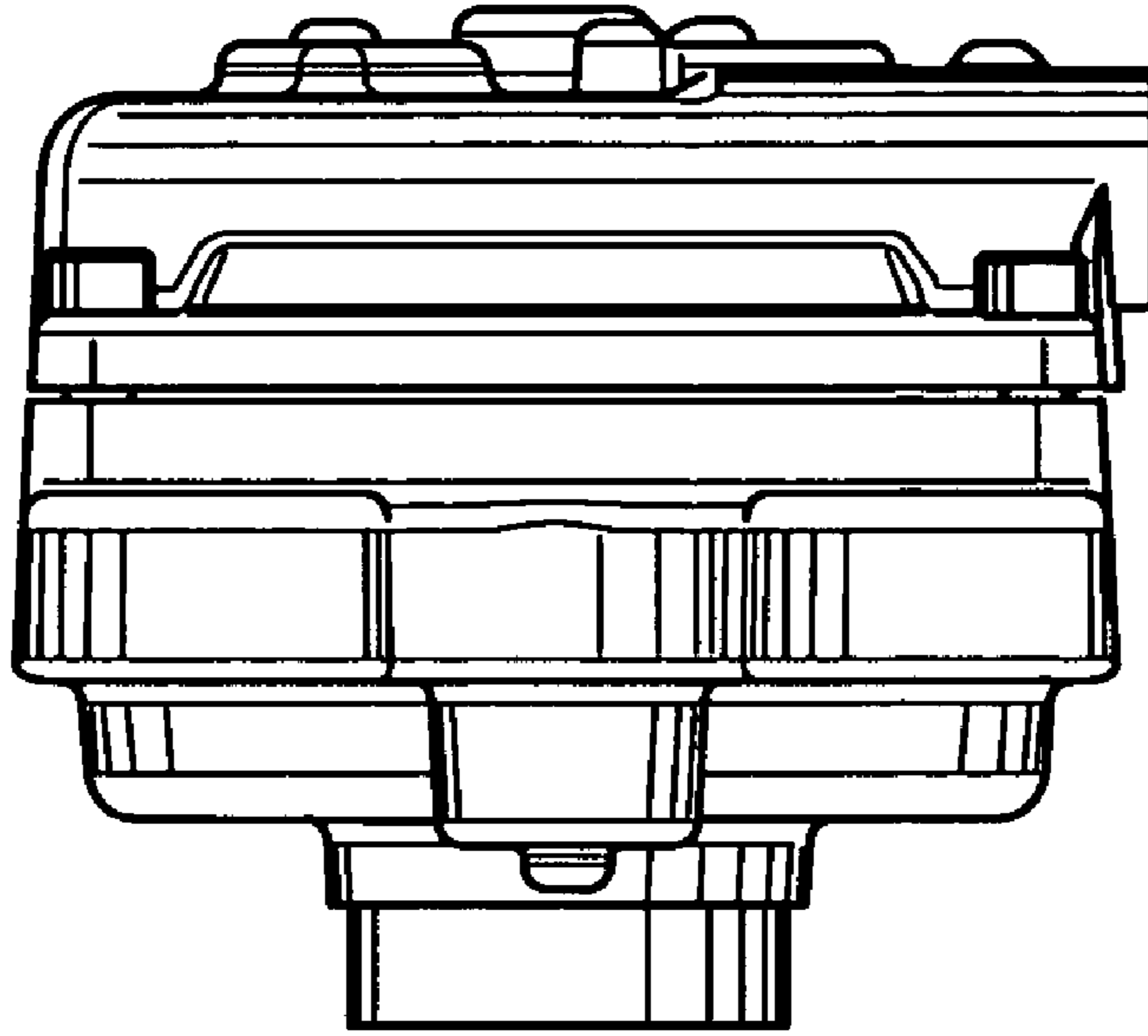


FIGURE 6

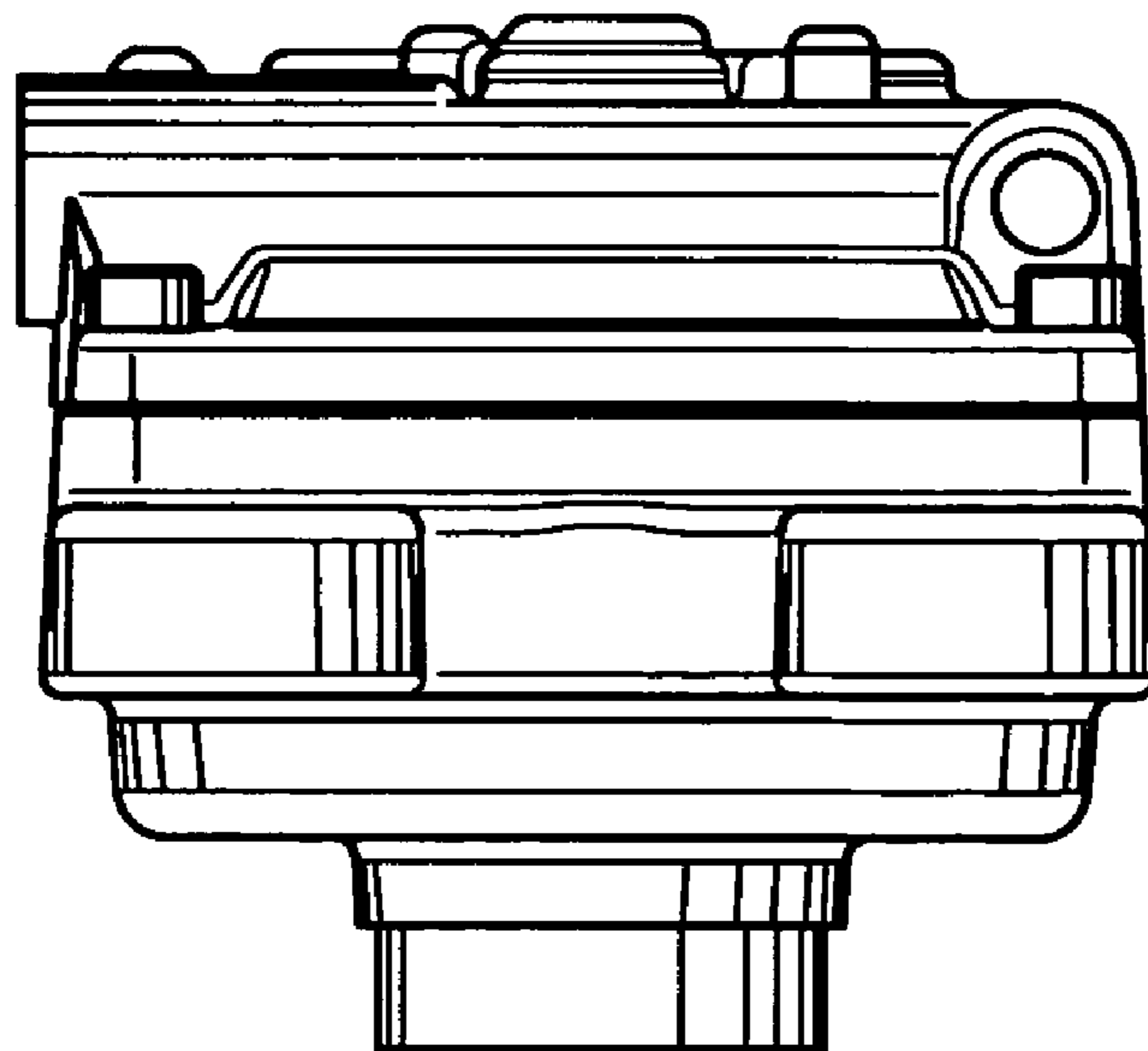




FIGURE 7

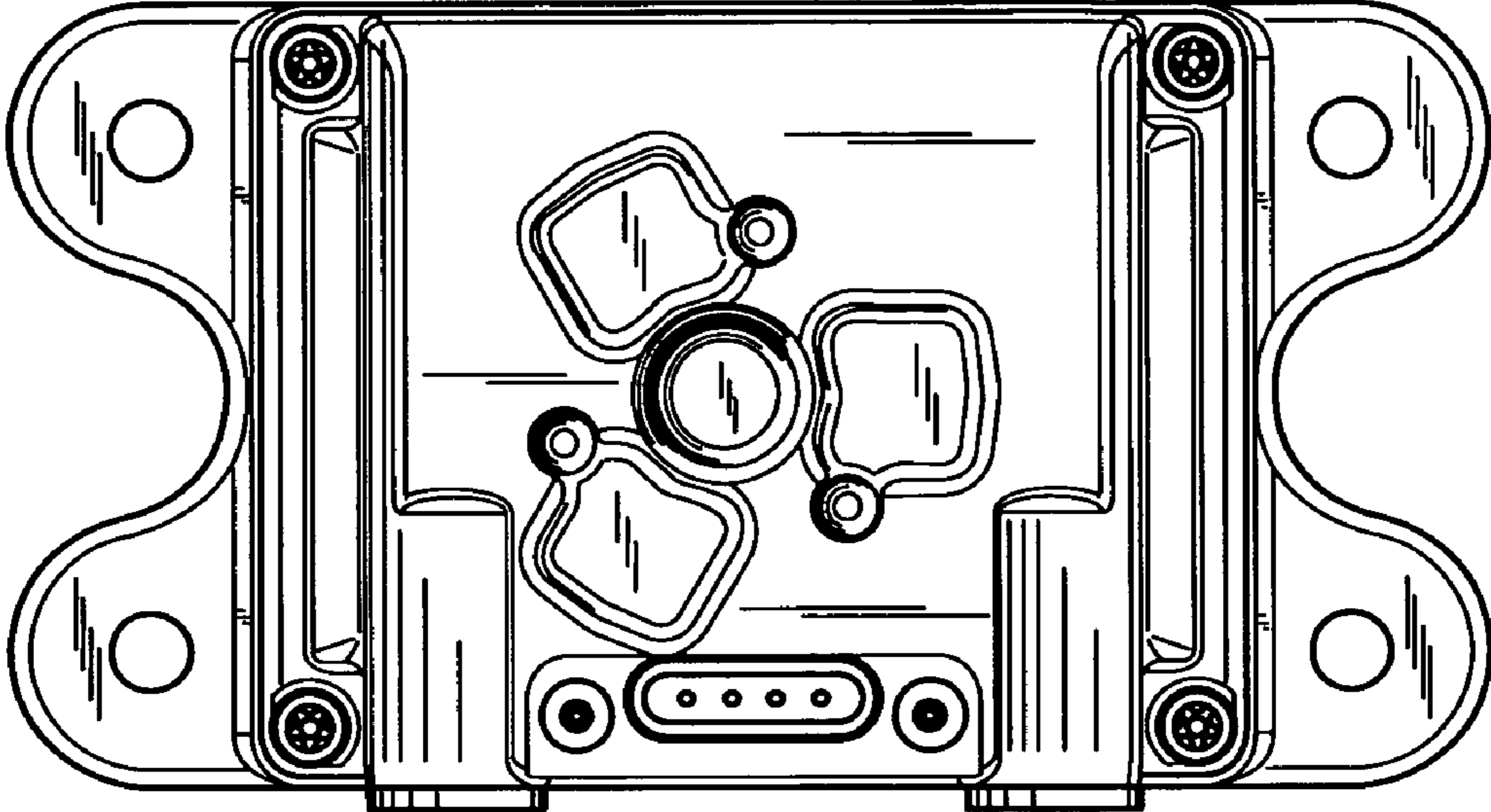


FIGURE 8

