



US00D614148S

(12) **United States Design Patent**
Crites

(10) **Patent No.:** **US D614,148 S**

(45) **Date of Patent:** **** Apr. 20, 2010**

(54) **ACTUATOR**

(75) Inventor: **Derek Lee Crites**, Niles, MI (US)

(73) Assignee: **CTS Corporation**, Elkhart, IN (US)

(**) Term: **14 Years**

(21) Appl. No.: **29/315,501**

(22) Filed: **Jun. 30, 2009**

(51) **LOC (9) Cl.** **13-03**

(52) **U.S. Cl.** **D13/174; D13/158**

(58) **Field of Classification Search** D13/158,
D13/171, 174; 29/596; 236/74 R; 251/129.11;
310/71, 83, 89; 318/15; 475/149

See application file for complete search history.

(56) **References Cited**

U.S. PATENT DOCUMENTS

5,937,507	A *	8/1999	Asakura et al.	29/596
6,028,384	A *	2/2000	Billman et al.	310/83
6,509,661	B1 *	1/2003	Kujira et al.	310/89
6,712,727	B2 *	3/2004	Kujira et al.	475/149
6,853,160	B1 *	2/2005	Gandel et al.	318/561
7,070,117	B2 *	7/2006	Kook	236/74 R

D587,661	S *	3/2009	Blakesley	D13/174
2008/0224553	A1 *	9/2008	Abe et al.	310/71
2009/0115270	A1 *	5/2009	Huang et al.	310/71

* cited by examiner

Primary Examiner—Selina Sikder

(74) *Attorney, Agent, or Firm*—Daniel J. Deneufbourg

(57) **CLAIM**

The ornamental design for an actuator, as shown and described.

DESCRIPTION

FIG. 1 is a top perspective view of an actuator showing my new design;

FIG. 2 is a bottom perspective view thereof;

FIG. 3 is a front elevational view thereof;

FIG. 4 is a rear elevational view thereof;

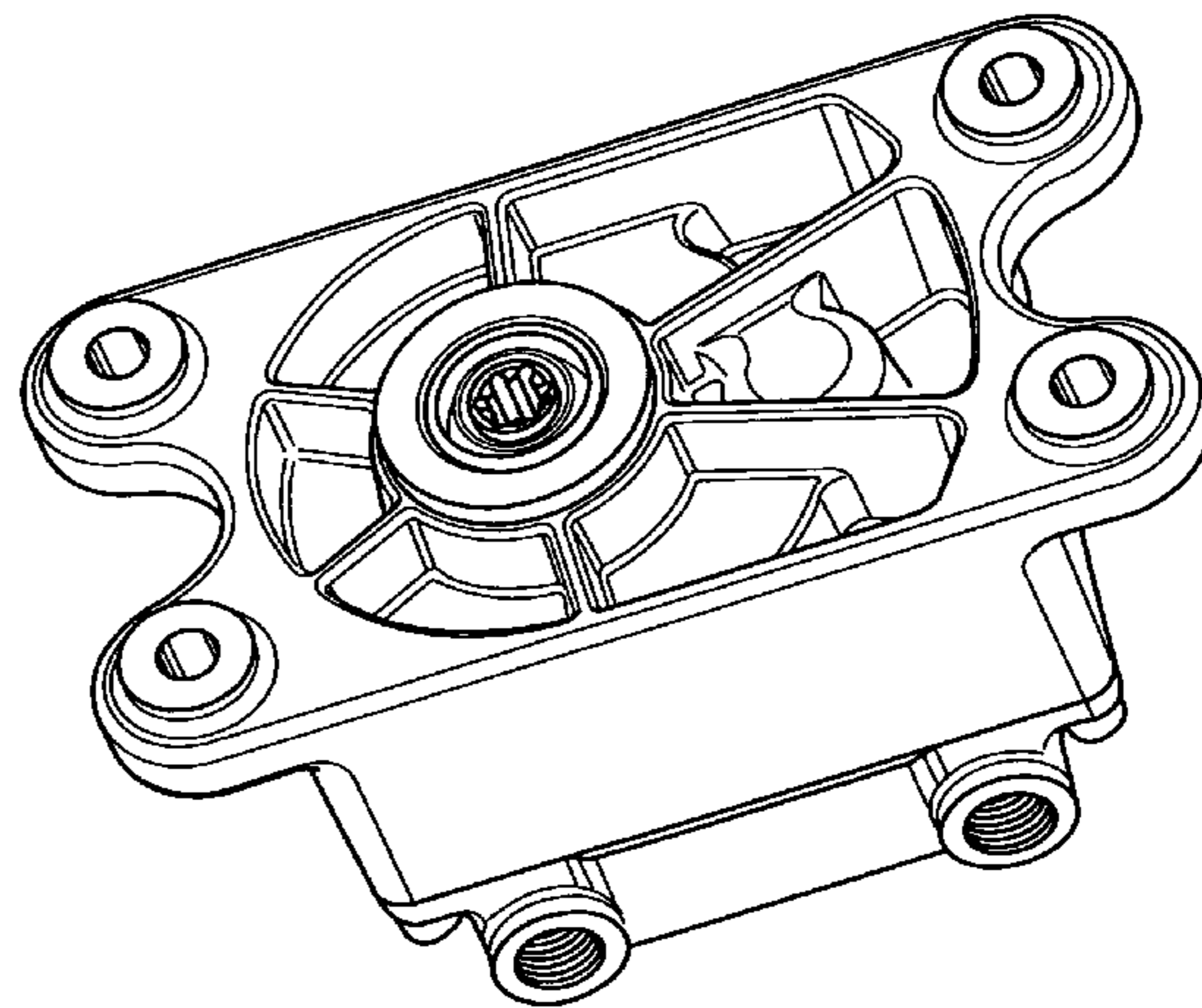
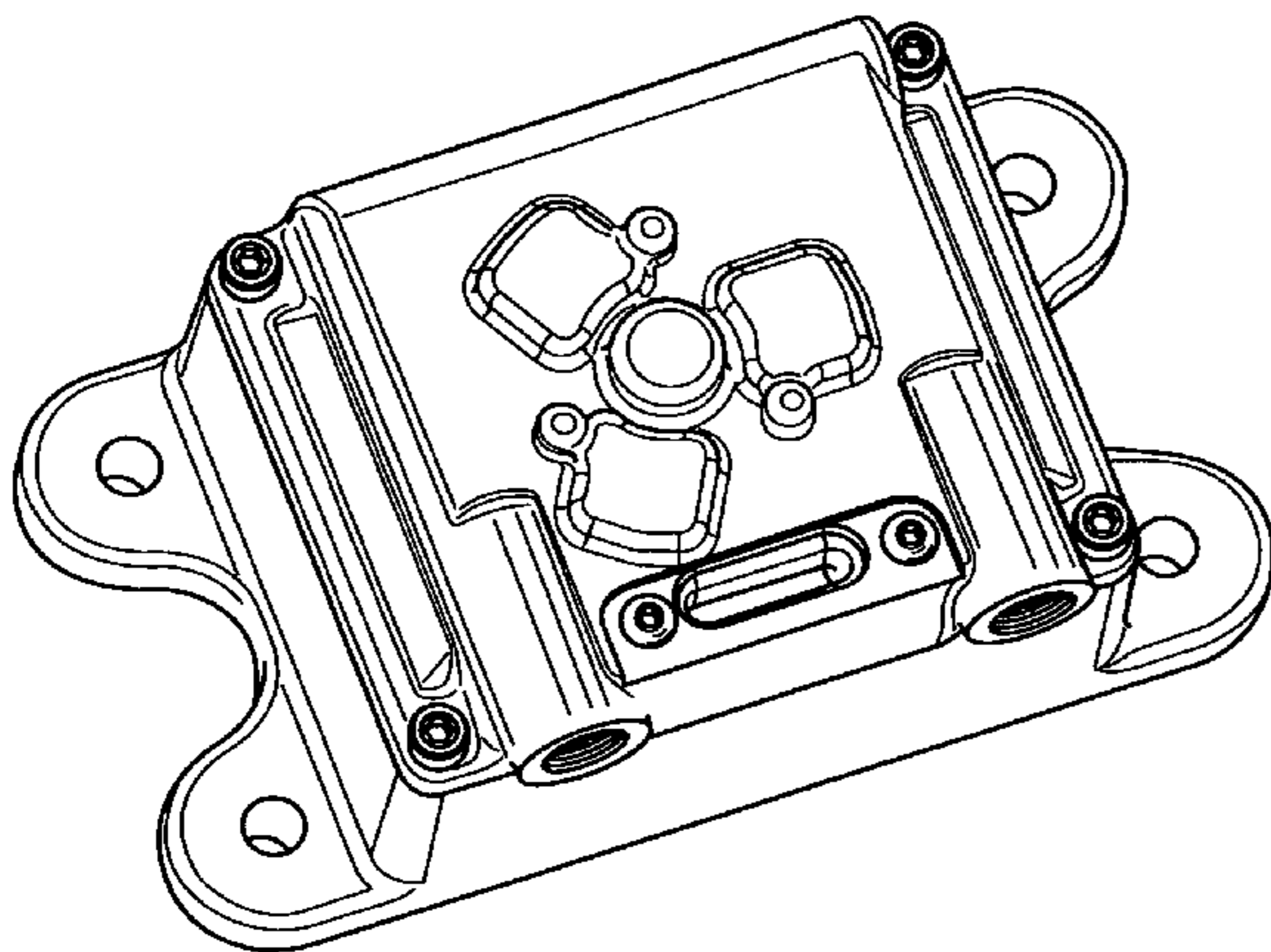
FIG. 5 is a side elevational view thereof;

FIG. 6 is an opposite side elevational view thereof;

FIG. 7 is a top plan view thereof; and,

FIG. 8 is a bottom plan view thereof.

1 Claim, 4 Drawing Sheets



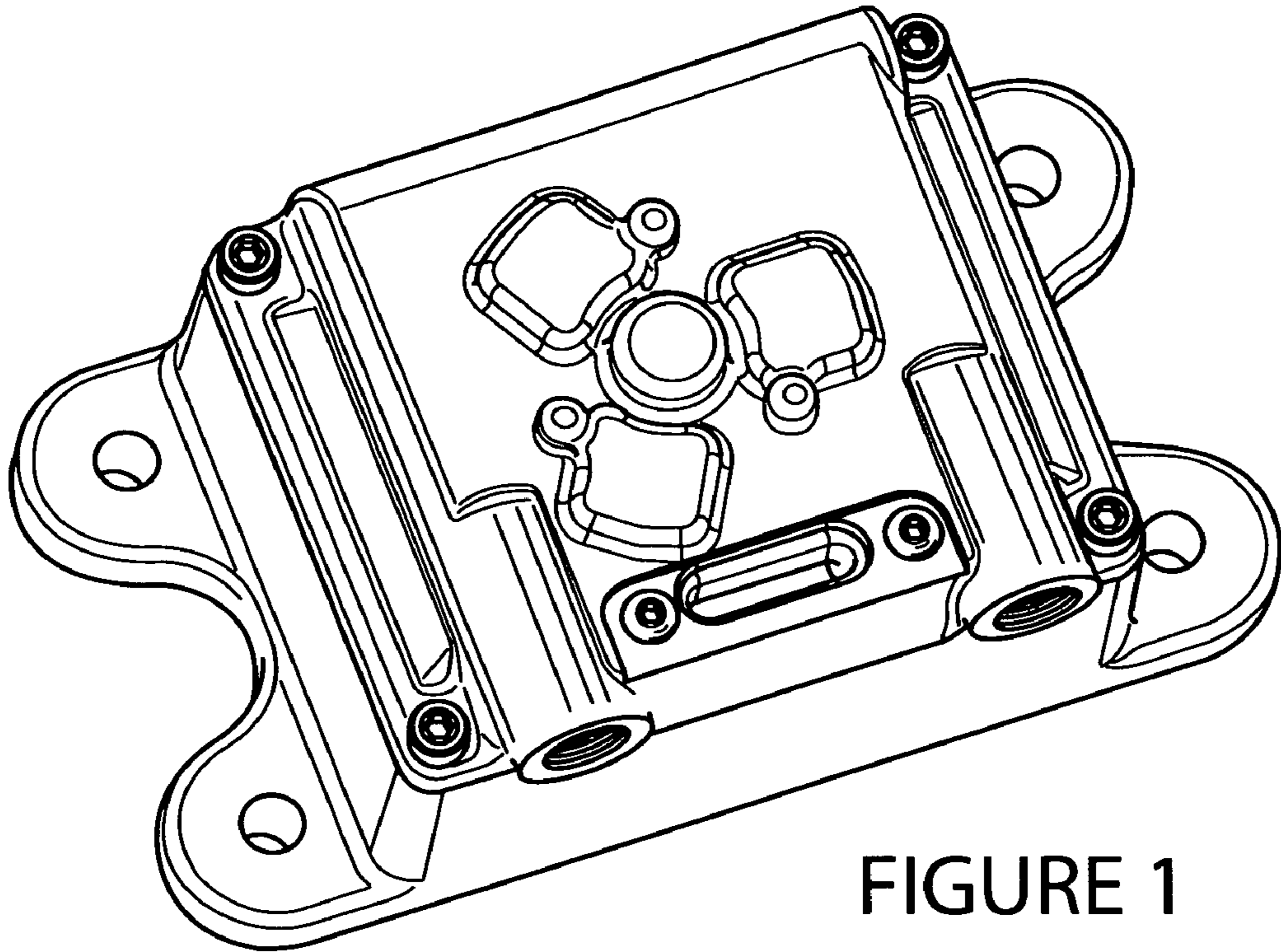


FIGURE 1

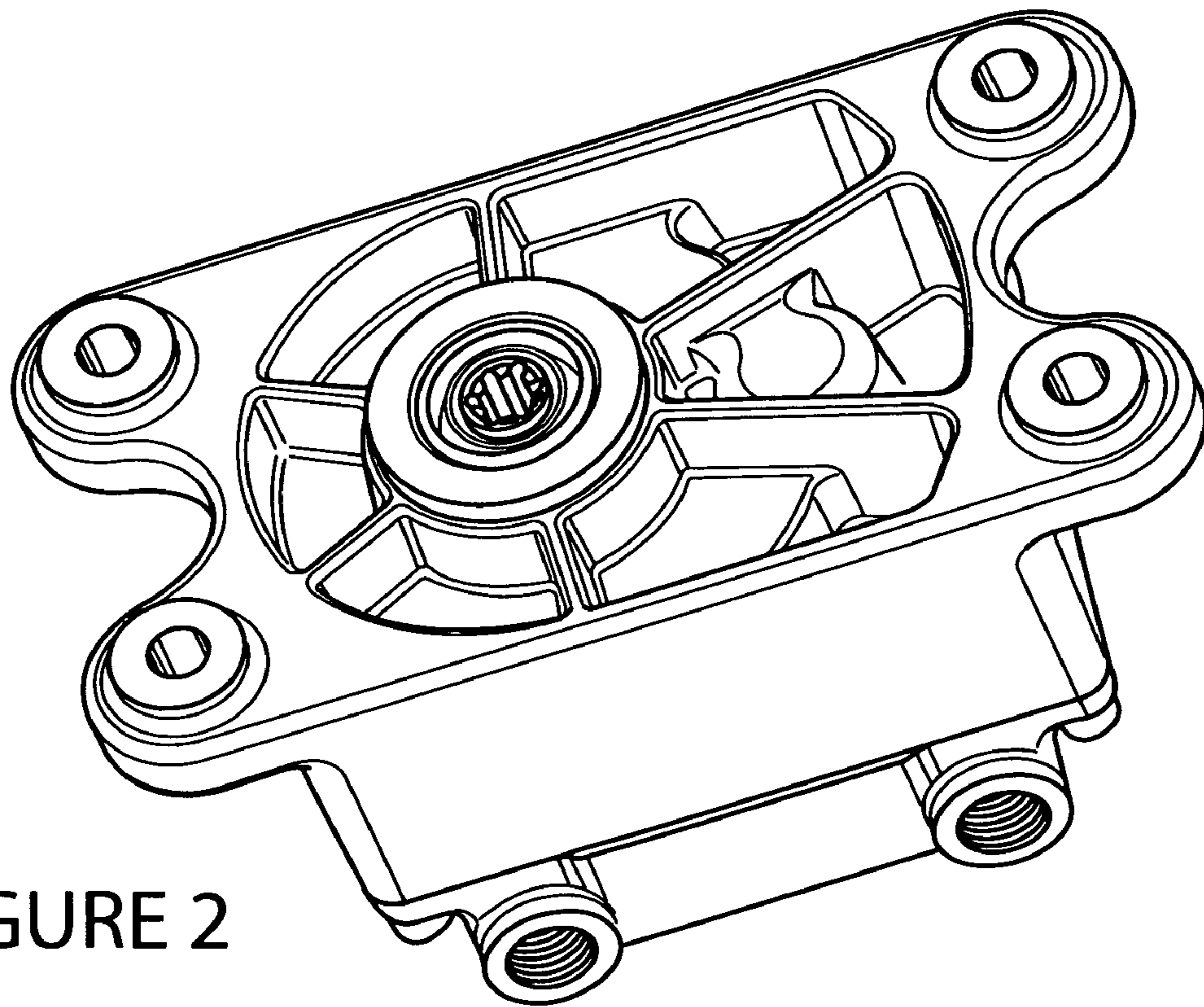


FIGURE 2

FIGURE 3

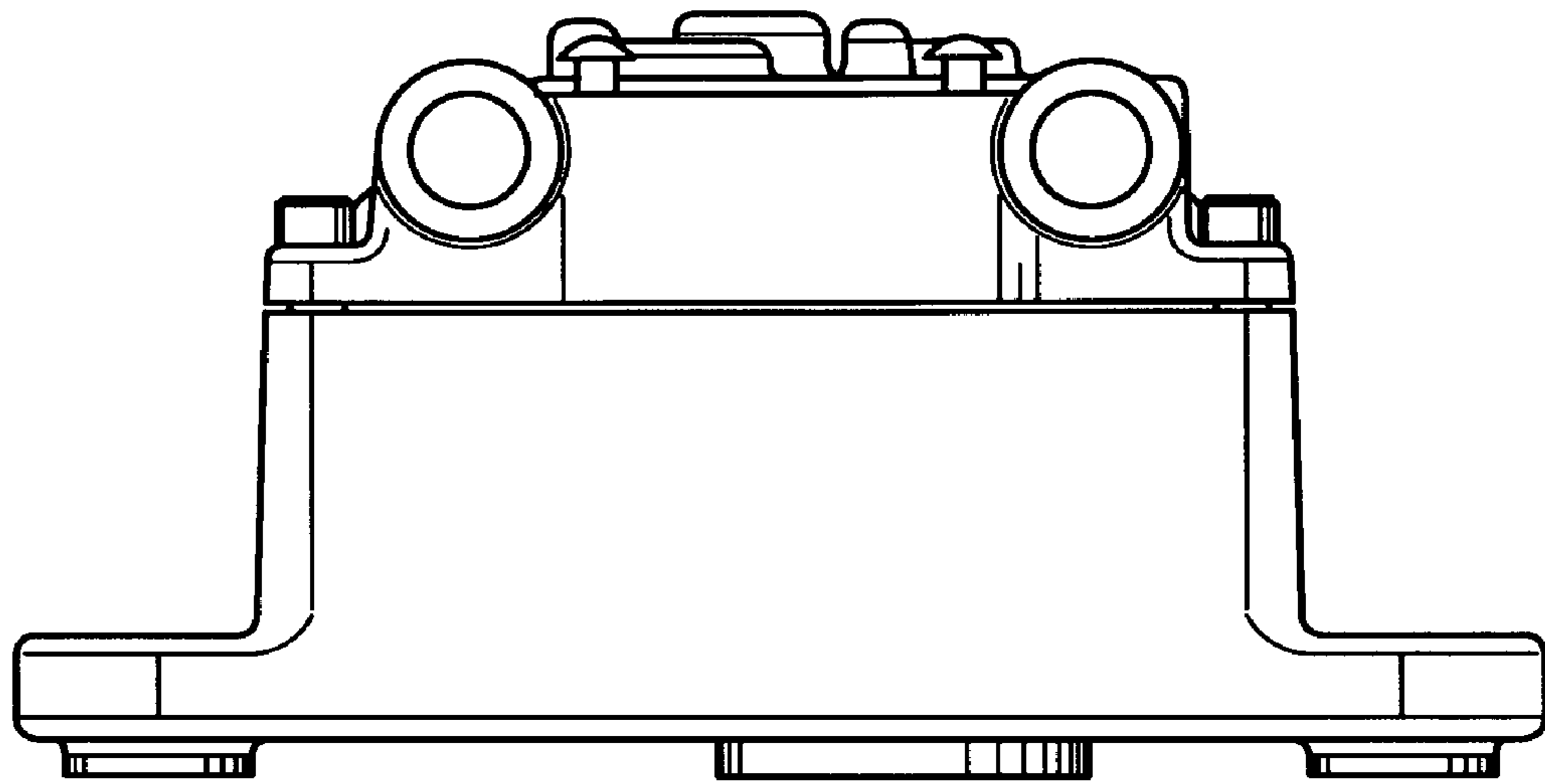


FIGURE 4

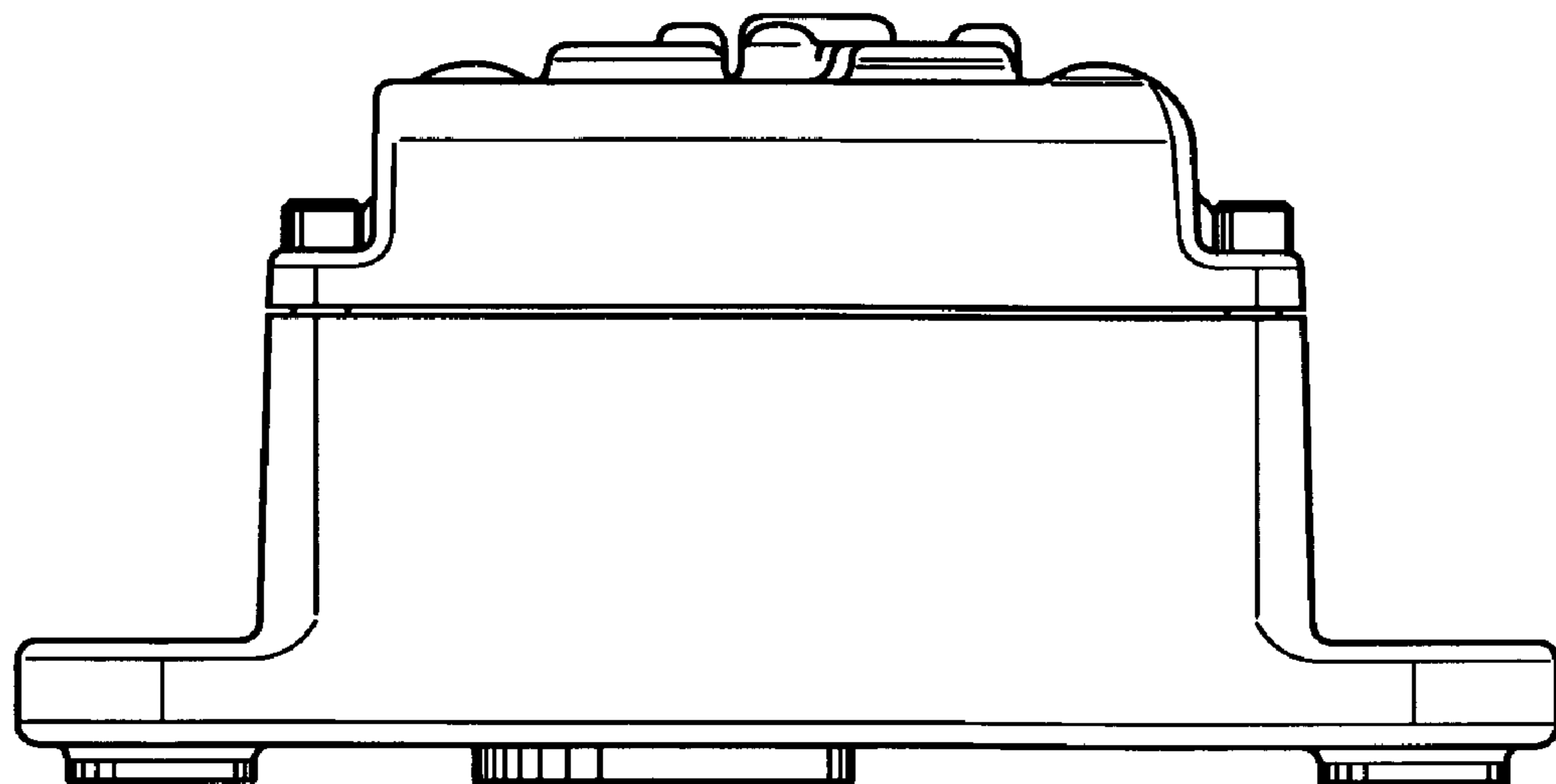


FIGURE 5

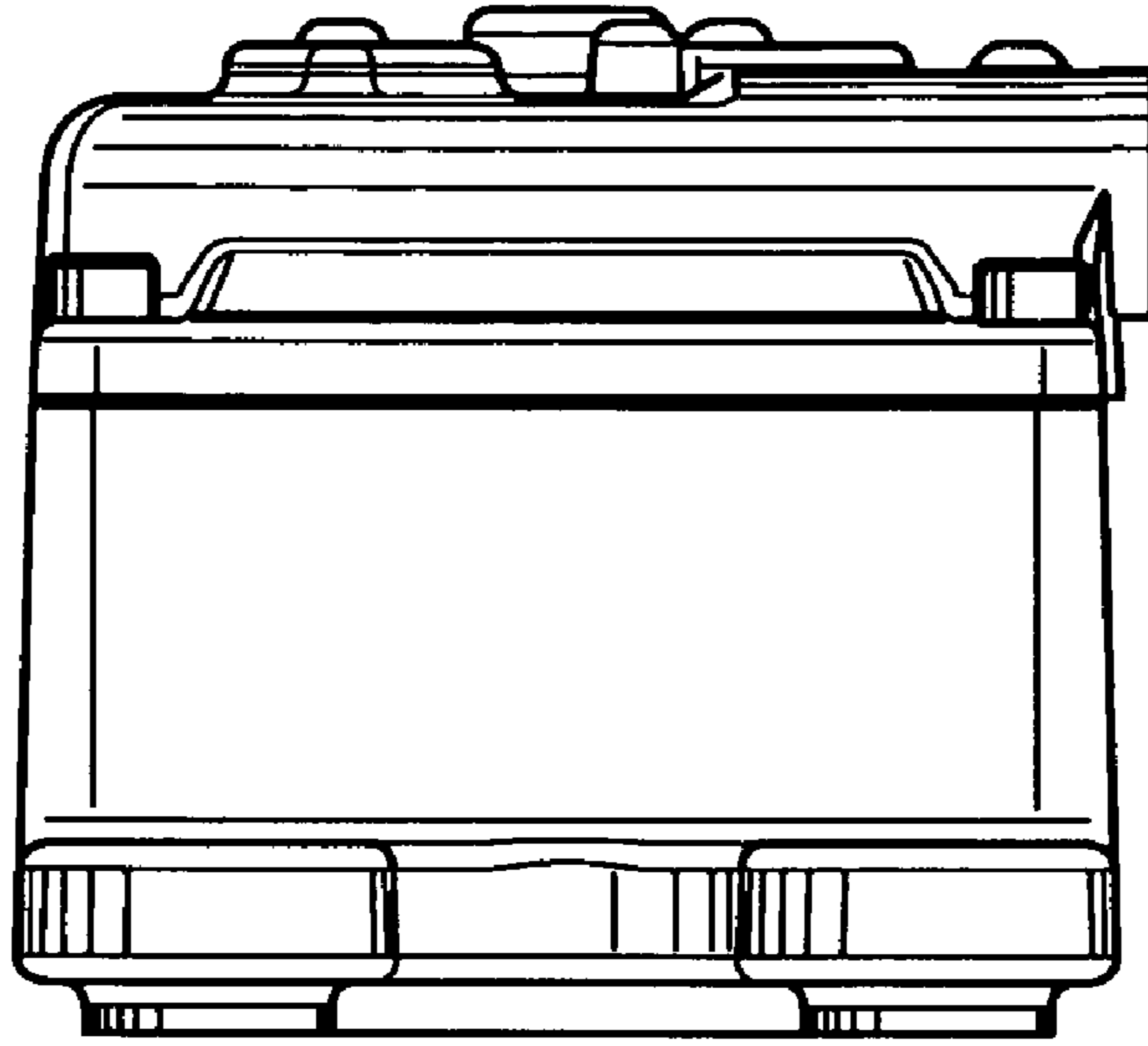


FIGURE 6

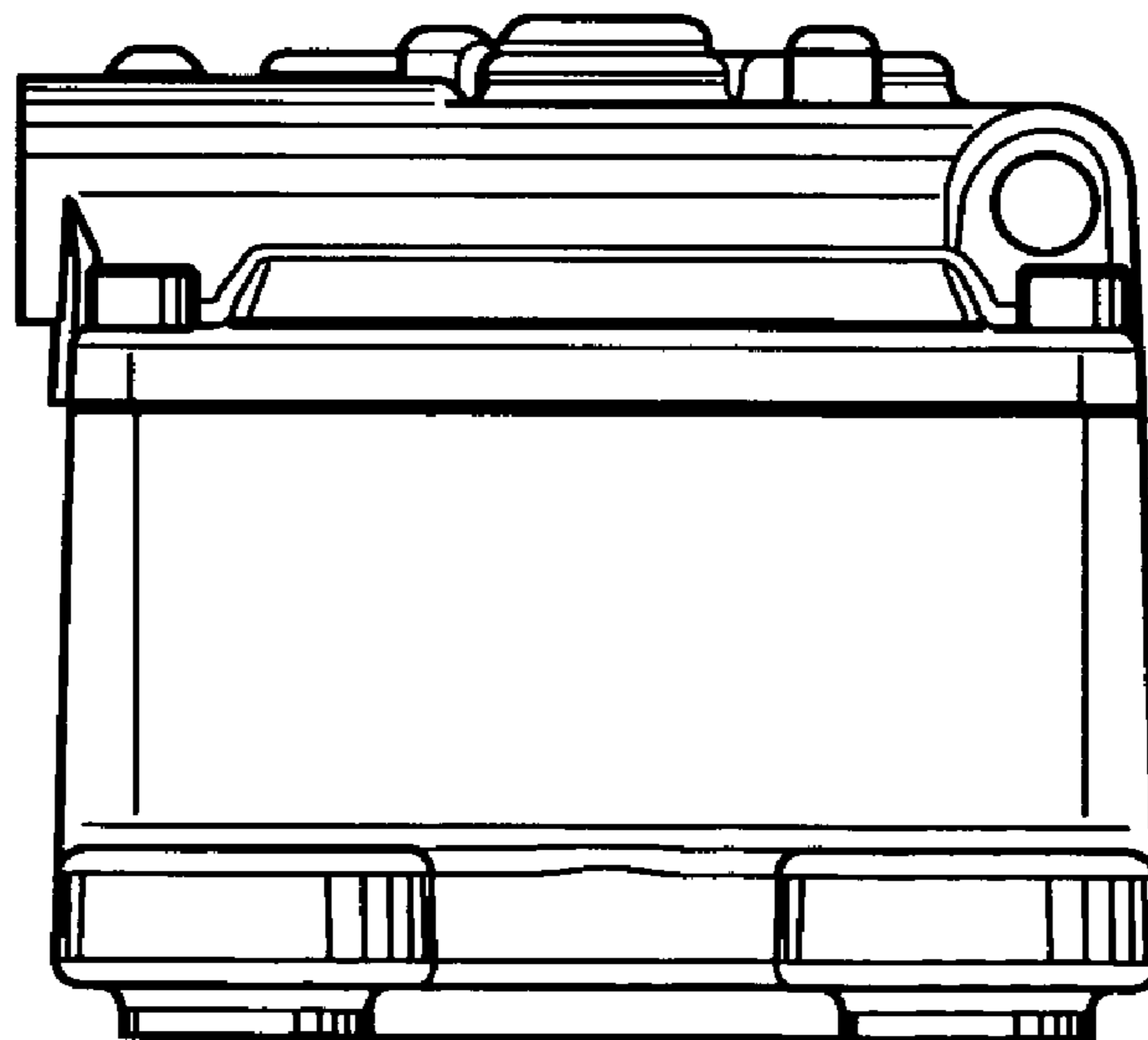


FIGURE 7

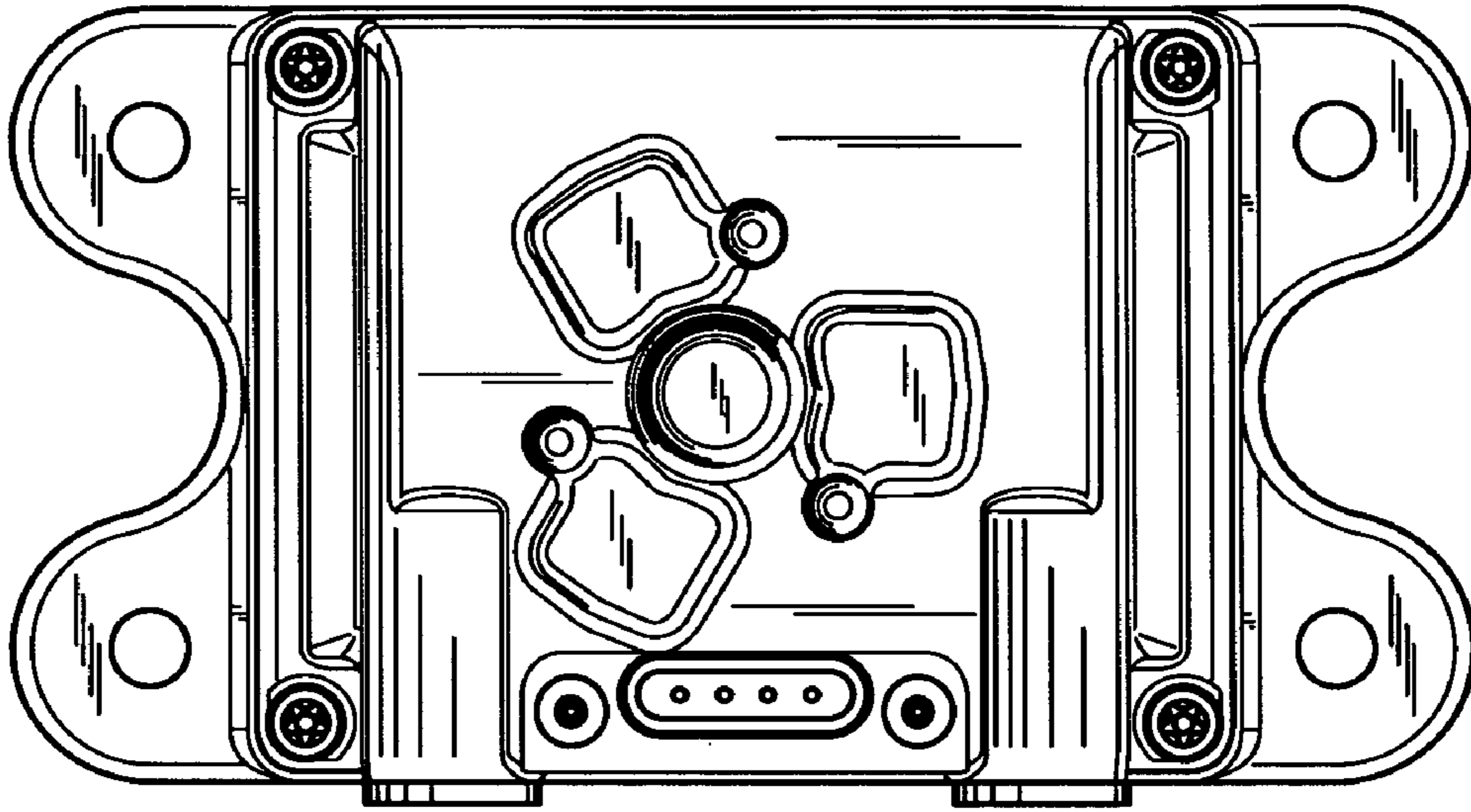


FIGURE 8

