



US00D614146S

(12) **United States Design Patent**  
**Felegy, Jr. et al.**

(10) **Patent No.:** **US D614,146 S**  
(45) **Date of Patent:** **\*\* Apr. 20, 2010**

(54) **TABLETOP REMOTE LOAD CONTROL DEVICE**

(75) Inventors: **Edward M. Felegy, Jr.**, Macungie, PA (US); **David William Petrillo**, Pennington, NJ (US); **Gregory M. Snyder**, Germansville, PA (US); **Gregory Altonen**, Easton, PA (US); **Elliot G. Jacoby**, Glenside, PA (US); **Noel Mayo**, Philadelphia, PA (US)

(73) Assignee: **Lutron Electronics Co., Inc.**, Coopersburg, PA (US)

(\*\*) Term: **14 Years**

(21) Appl. No.: **29/330,449**

(22) Filed: **Jan. 7, 2009**

(51) **LOC (9) Cl.** ..... **14-03**

(52) **U.S. Cl.** ..... **D13/168**

(58) **Field of Classification Search** ..... D13/168;  
D10/104, 106; D14/218, 247; 340/825.22, 340/825.24, 825.25, 825.31, 825.36, 825.69, 340/825.72; 341/176; 455/352

See application file for complete search history.

(56) **References Cited**

**U.S. PATENT DOCUMENTS**

D353,798 S 12/1994 Bryde et al.

(Continued)

**OTHER PUBLICATIONS**

U.S. Appl. No. 61/042,421, filed Apr. 4, 2008, Altonen et al.

(Continued)

*Primary Examiner*—Selina Sikder

(74) *Attorney, Agent, or Firm*—Mark E. Rose; Philip N. Smith; Bridget L. McDonough

(57) **CLAIM**

We claim the ornamental design for a tabletop remote load control device, as shown and described.

**DESCRIPTION**

FIG. 1 is a perspective view of a tabletop remote load control device according to a first embodiment of our new design.

FIG. 2 is a front view thereof.

FIG. 3 is a left side view thereof.

FIG. 4 is a right side view thereof.

FIG. 5 is a top view thereof.

FIG. 6 is a bottom view thereof.

FIG. 7 is a perspective view of a tabletop remote load control device according to a second embodiment of our new design.

FIG. 8 is a front view thereof.

FIG. 9 is a bottom view thereof, the left side, right side, and top views, respectively, of the second embodiment being identical to the left side, right side, and top views of the first embodiment.

FIG. 10 is a perspective view of a tabletop remote load control device according to a third embodiment of our new design.

FIG. 11 is a front view thereof.

FIG. 12 is a left side view thereof.

FIG. 13 is a right side view thereof.

FIG. 14 is a top view thereof.

FIG. 15 is a bottom view thereof.

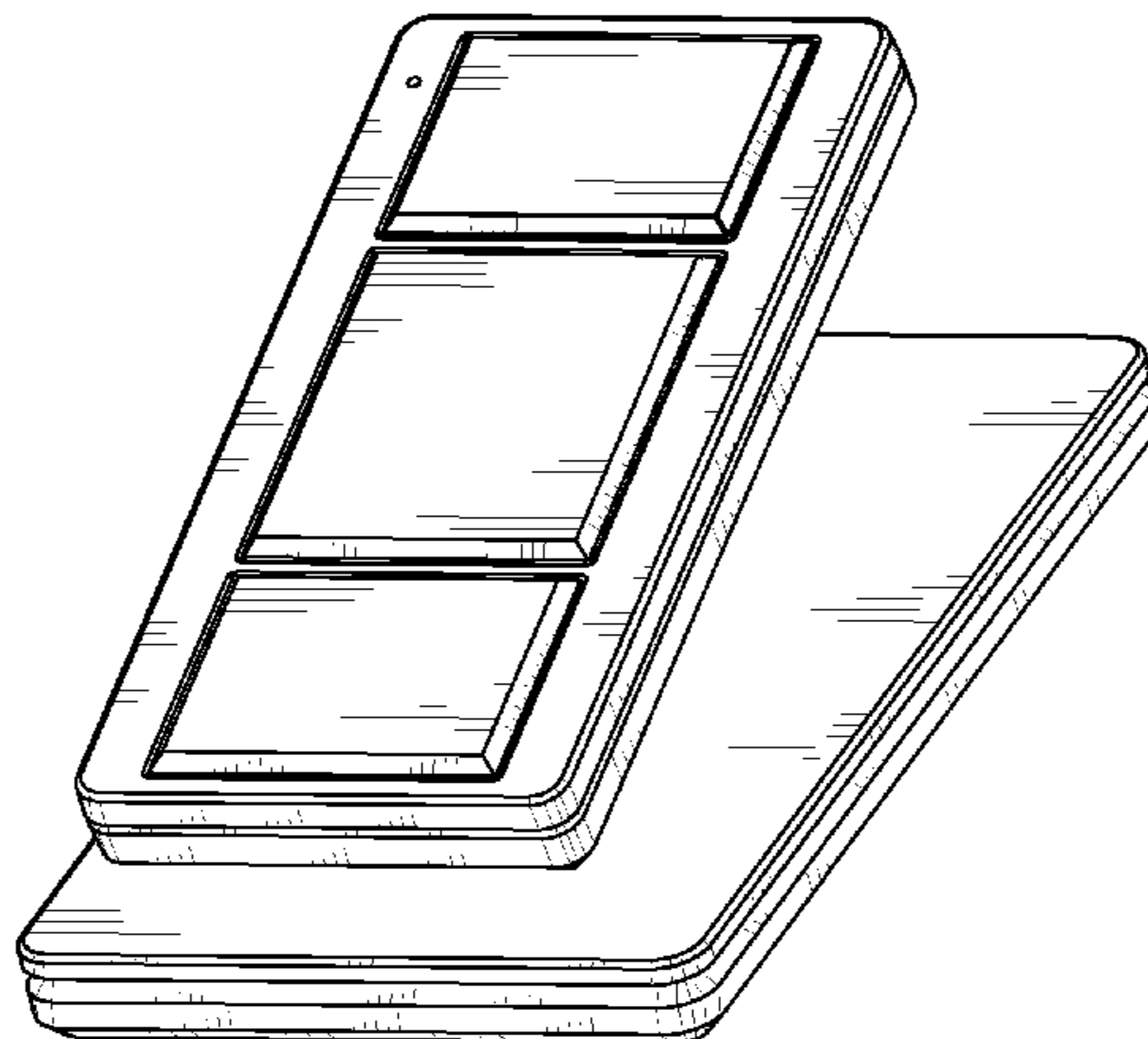
FIG. 16 is a perspective view of a tabletop remote load control device according to a fourth embodiment of our new design.

FIG. 17 is a front view thereof; and,

FIG. 18 is a bottom view thereof, the left side, right side, and top views, respectively, of the fourth embodiment being identical to the left side, right side, and top views of the third embodiment.

The rear views form no part of the design and are omitted.

**1 Claim, 14 Drawing Sheets**



# US D614,146 S

Page 2

## U.S. PATENT DOCUMENTS

D397,996 S \* 9/1998 Smith ..... D13/168  
D422,567 S 4/2000 Mayo et al.  
D437,585 S 2/2001 Mayo et al.  
D439,220 S 3/2001 Mayo et al.  
D450,043 S 11/2001 Mosebrook  
D464,635 S \* 10/2002 Oyama et al. .... D14/147  
D537,046 S 2/2007 Blair et al.  
D539,234 S 3/2007 Blair et al.  
D539,758 S 4/2007 Blair et al.  
D543,158 S 5/2007 Blair et al.  
D543,951 S 6/2007 Blair et al.  
D546,280 S \* 7/2007 Marchetto et al. .... D13/107  
D546,296 S 7/2007 Blair et al.  
D553,123 S \* 10/2007 Solland ..... D14/217  
D554,107 S \* 10/2007 Calco et al. .... D14/217  
D557,259 S \* 12/2007 Hirsch ..... D14/217  
D585,844 S 2/2009 Bhate et al.  
D573,955 S 4/2009 Bhate et al.  
D592,606 S \* 5/2009 Felegy et al. .... D13/168  
D592,607 S \* 5/2009 Felegy et al. .... D13/168  
D592,608 S \* 5/2009 Felegy et al. .... D13/168  
D592,609 S \* 5/2009 Felegy et al. .... D13/168  
D592,611 S \* 5/2009 Altonen et al. .... D13/171  
2008/0111491 A1 5/2008 Spira

2008/0218099 A1 9/2008 Newman

## OTHER PUBLICATIONS

U.S. Appl. No. 29/306,219, filed Apr. 4, 2008, Felegy, Jr. et al.  
U.S. Appl. No. 29/306,223, filed Apr. 4, 2008, Felegy, Jr. et al.  
U.S. Appl. No. 29/306,225, filed Apr. 4, 2008, Felegy, Jr. et al.  
U.S. Appl. No. 29/306,226, filed Apr. 4, 2008, Altonen et al.  
U.S. Appl. No. 29/306,228, filed Apr. 4, 2008, Felegy, Jr. et al.  
U.S. Appl. No. 29/306,233, filed Apr. 4, 2008, Felegy, Jr. et al.  
U.S. Appl. No. 29/328,023, filed Nov. 8, 2008, Felegy, Jr. et al.  
U.S. Appl. No. 29/328,031, filed Nov. 8, 2008, Felegy, Jr. et al.  
U.S. Appl. No. 29/330,451, filed Jan. 7, 2009, Felegy, Jr. et al.  
U.S. Appl. No. 29/330,445, filed Jan. 7, 2009, Felegy, Jr. et al.  
U.S. Appl. No. 29/330,774, filed Jan. 14, 2009, Felegy, Jr. et al.  
U.S. Appl. No. 29/330,776, filed Jan. 14, 2009, Felegy, Jr. et al.  
U.S. Appl. No. 29/330,779, filed Jan. 14, 2009, Felegy, Jr. et al.  
U.S. Appl. No. 29/332,627, filed Feb. 20, 2009, Snyder et al.  
U.S. Appl. No. 29/332,632, filed Feb. 20, 2009, Snyder et al.  
U.S. Appl. No. 29/332,636, filed Feb. 20, 2009, Snyder et al.  
U.S. Appl. No. 29/332,637, filed Feb. 20, 2009, Snyder et al.  
Lutron Electronics Co., Inc., RadioRA Visor Control Transmitter Specification Submittal Sheet, Jan. 2002, 2 pages.  
Lutron Electronics Co., Inc., RadioRA Visor Control Transmitter Installation Instruction Sheet, Nov. 2001, 2 pages.  
Lutron Electronics Co., Inc., Aurora Wireless Lighting Control Brochure, Nov. 2006, 2 pages.  
Lutron Electronics Co., Inc., Maestro Wireless Remote Lighting Control Brochure, Sep. 2007, 2 pages.

\* cited by examiner

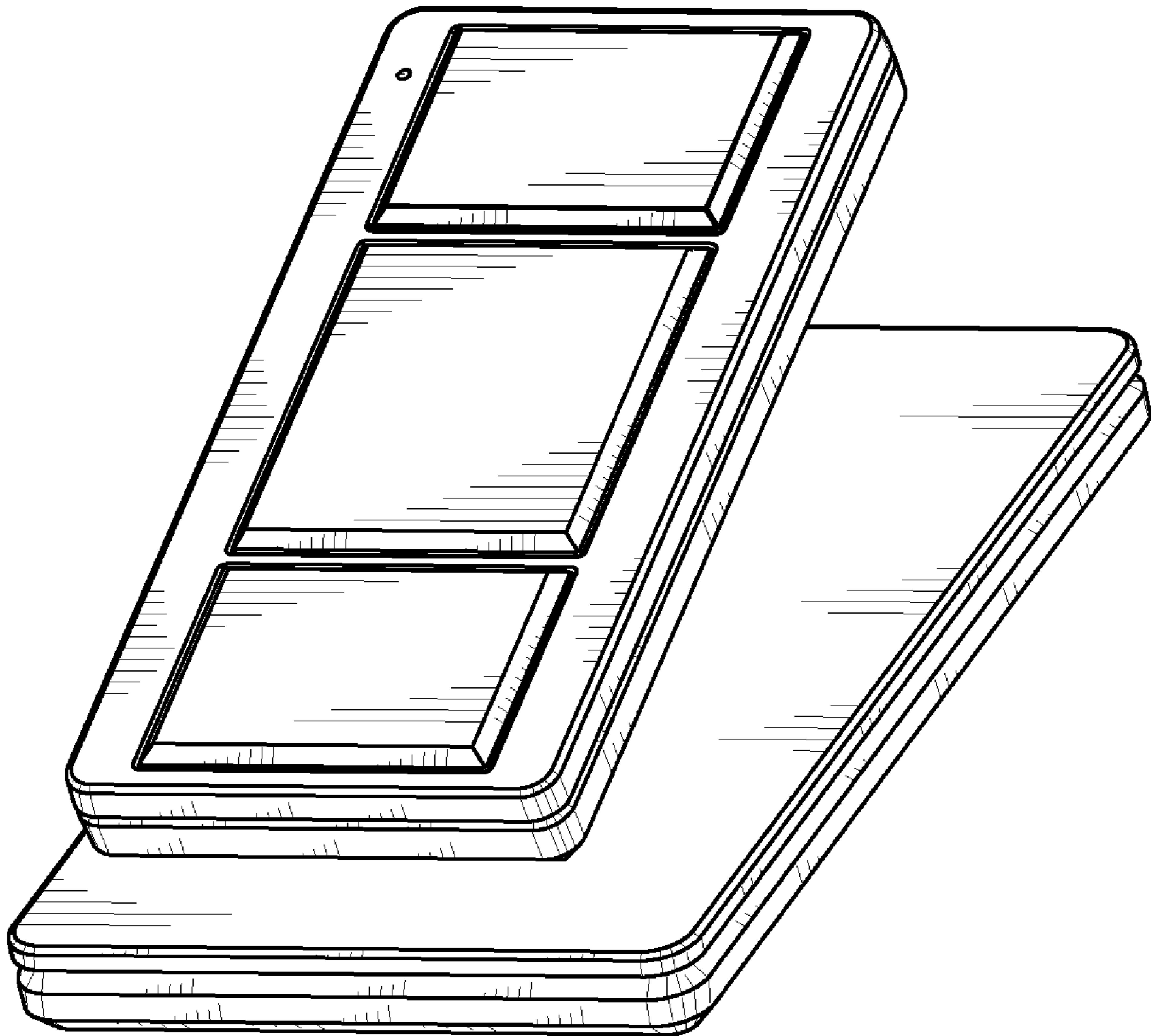


Fig. 1

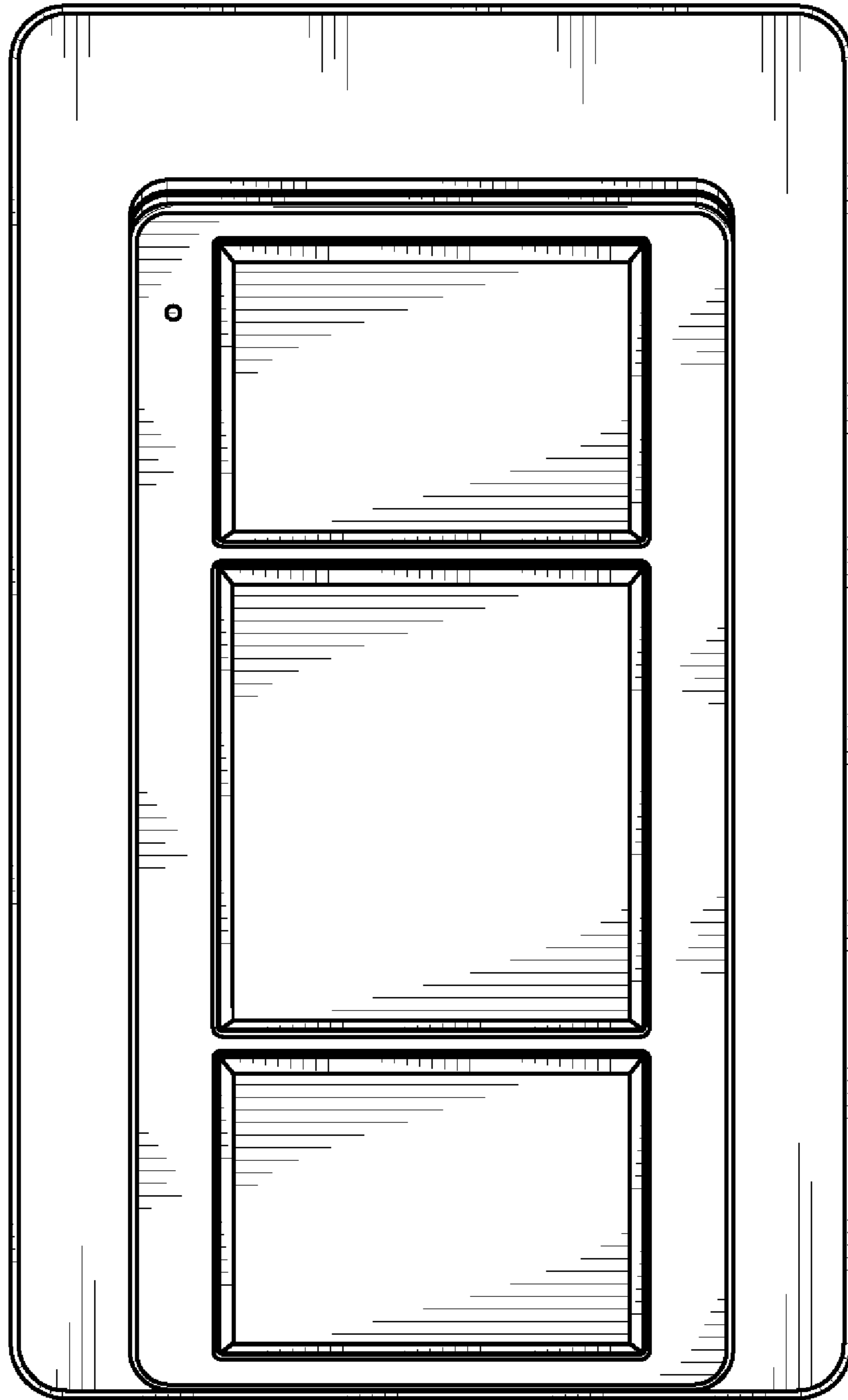


Fig. 2

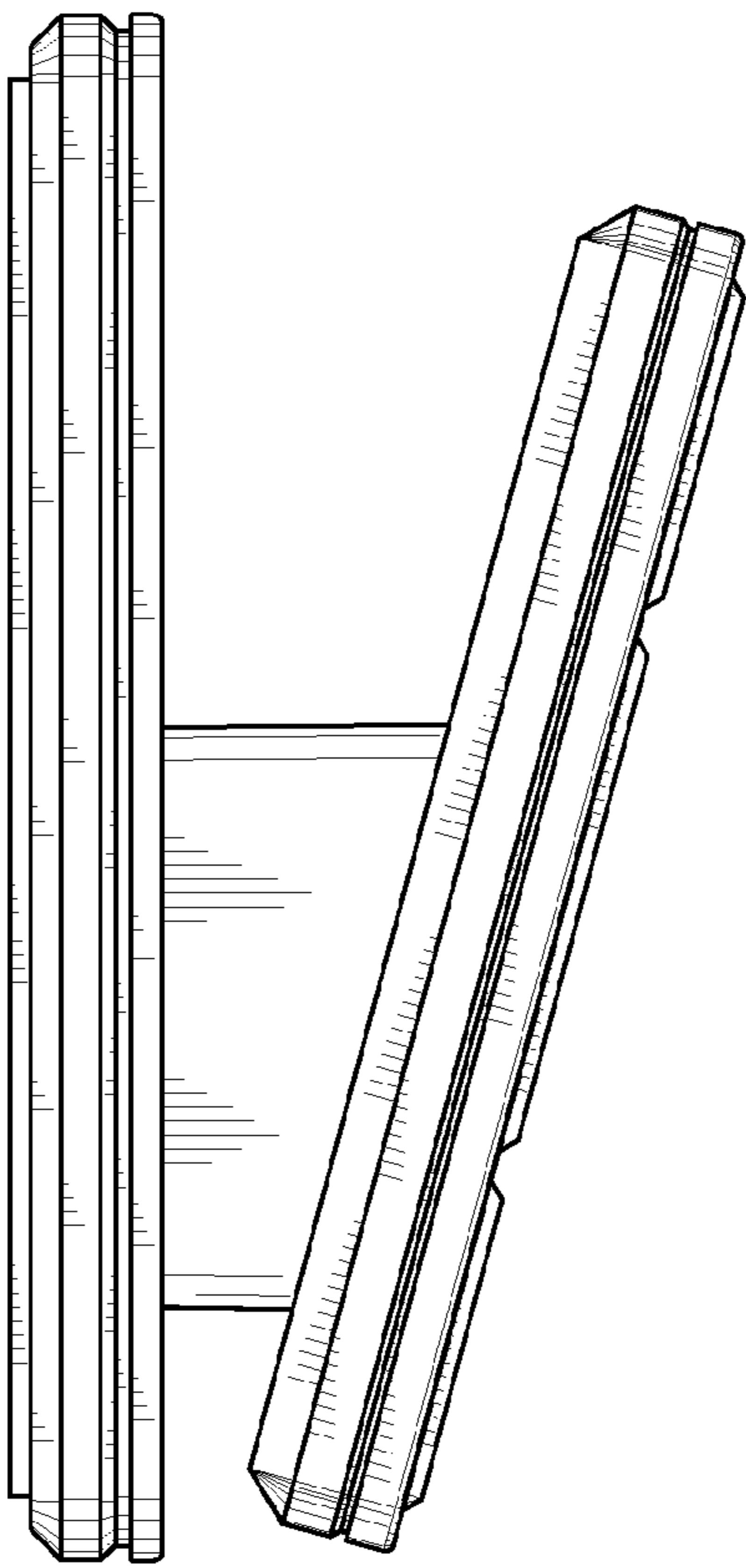


Fig. 3

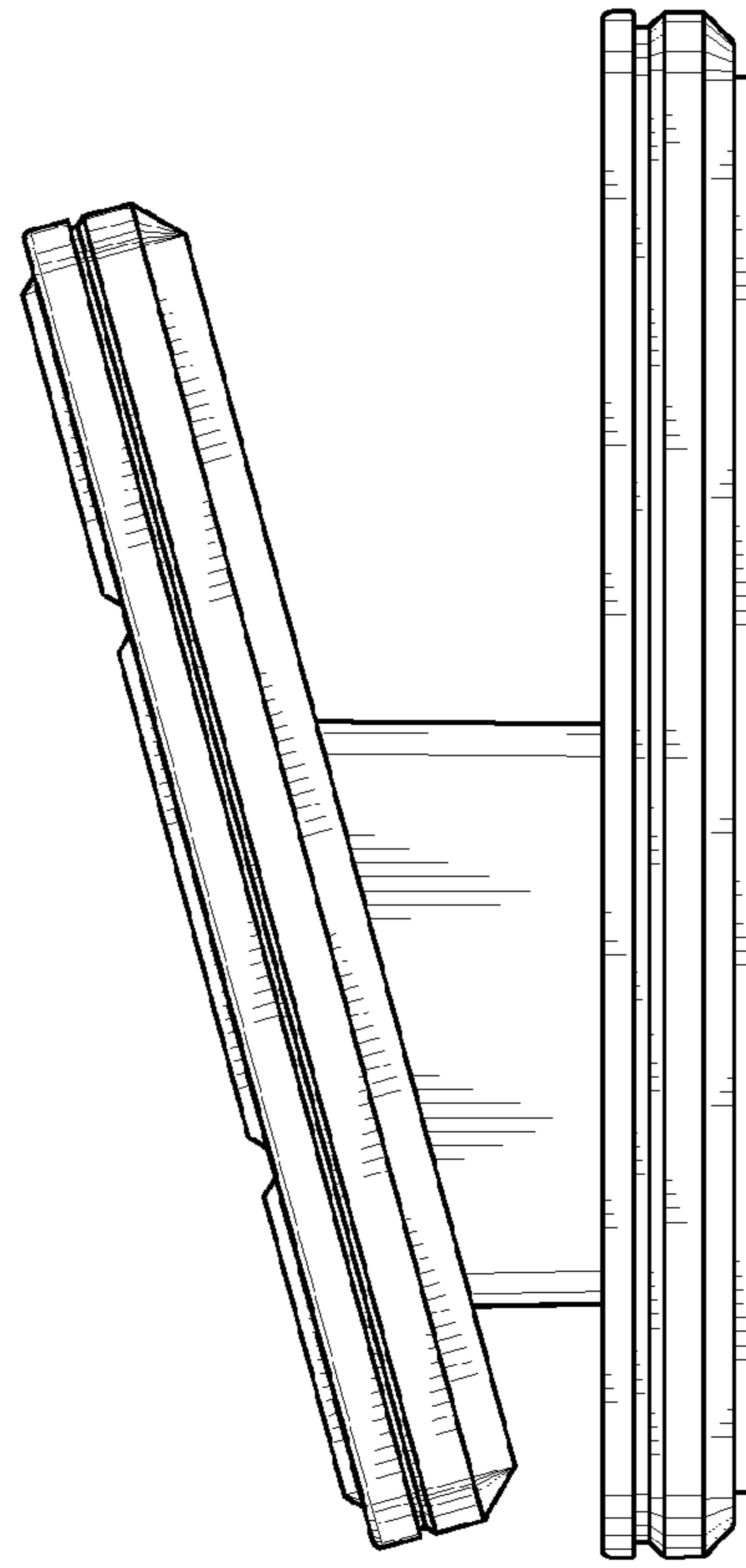


Fig. 4

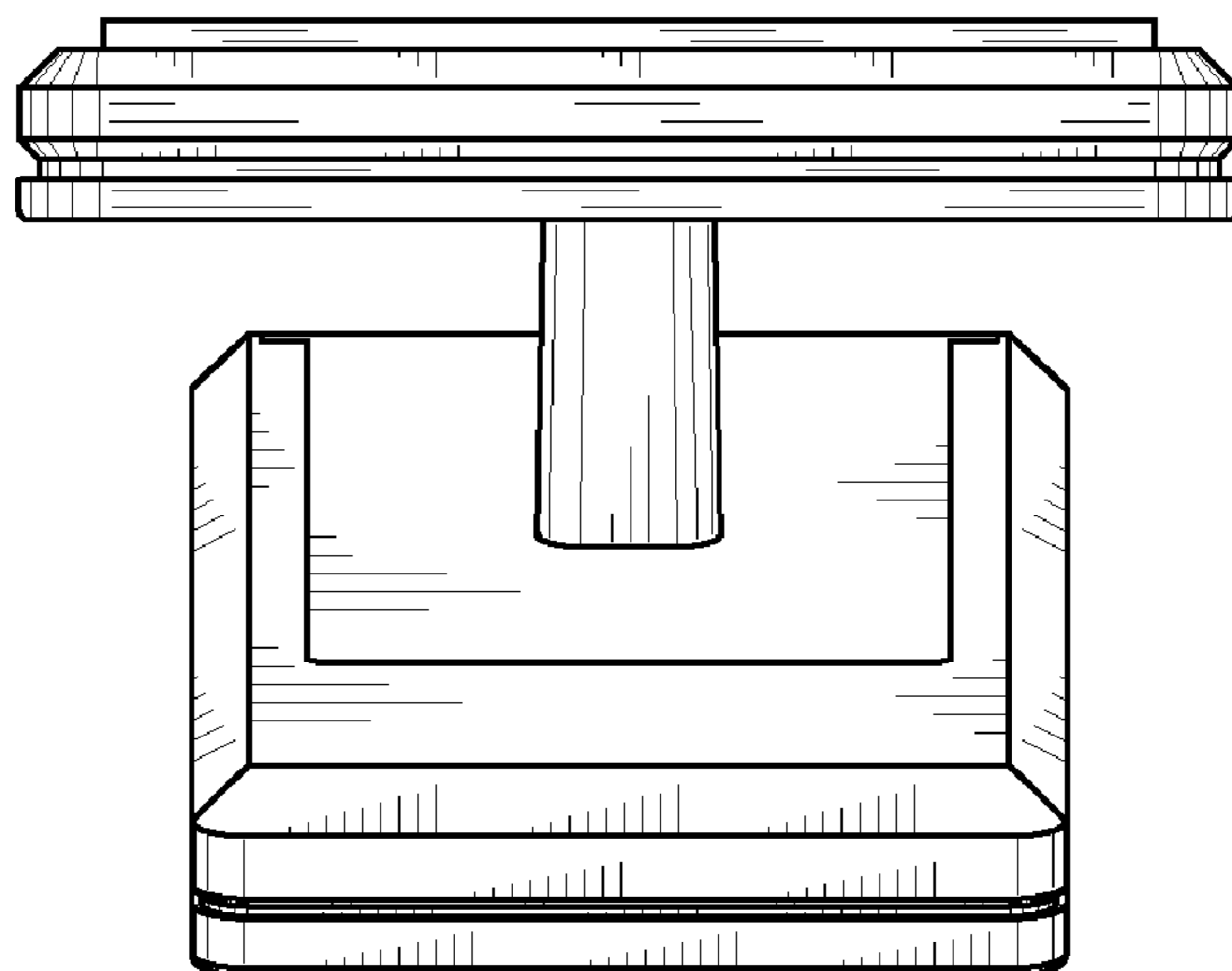


Fig. 5

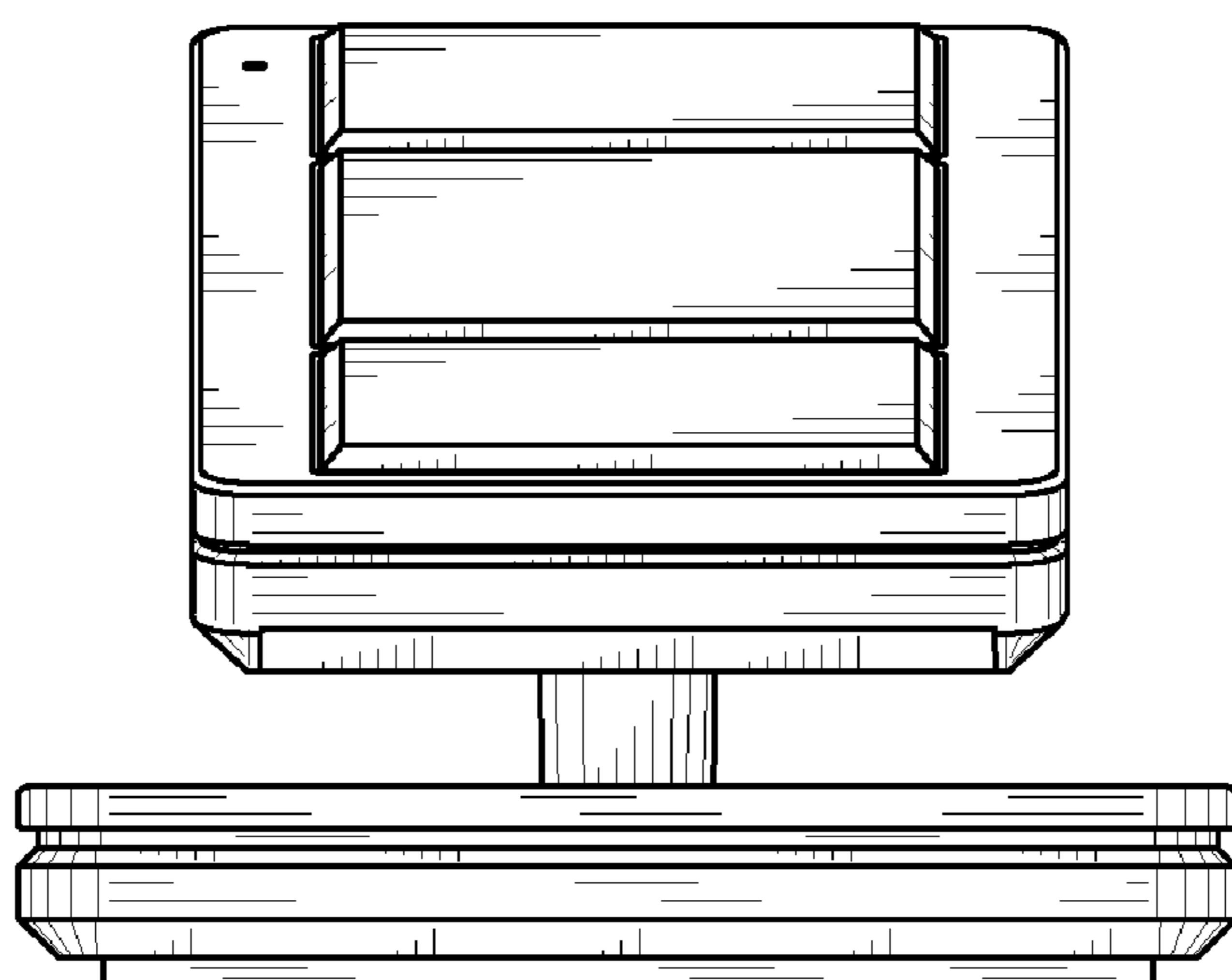


Fig. 6

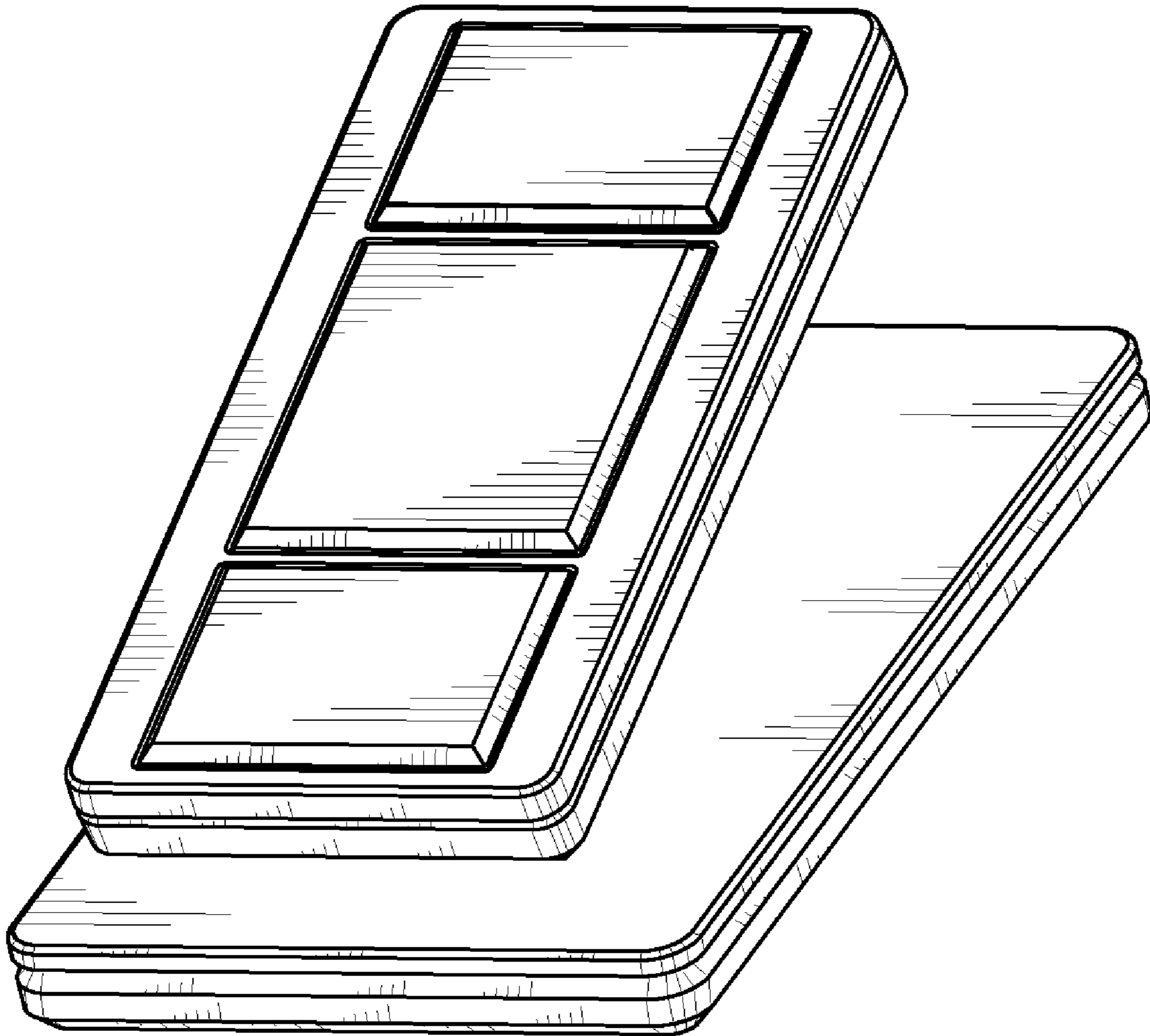


Fig. 7

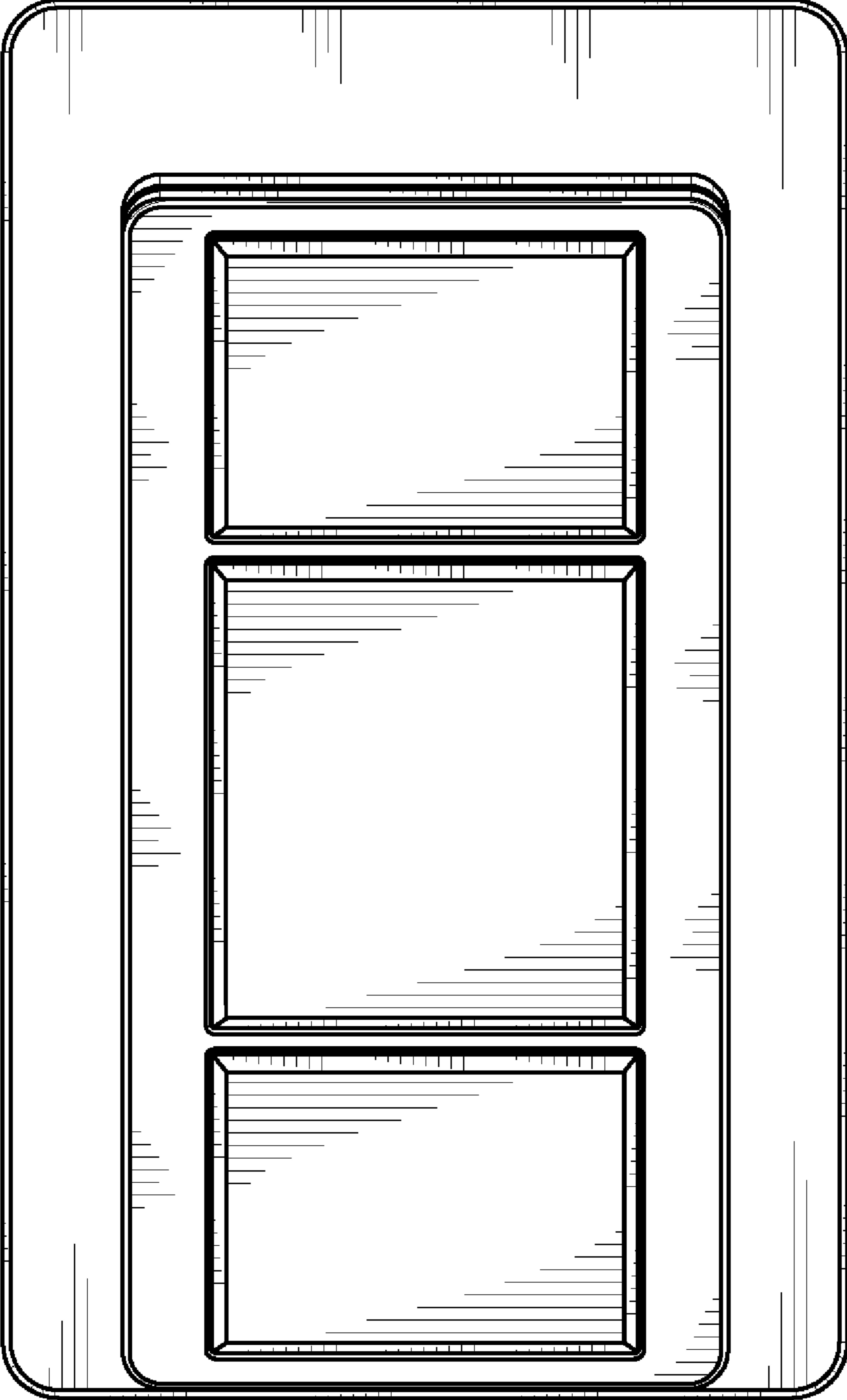


Fig. 8



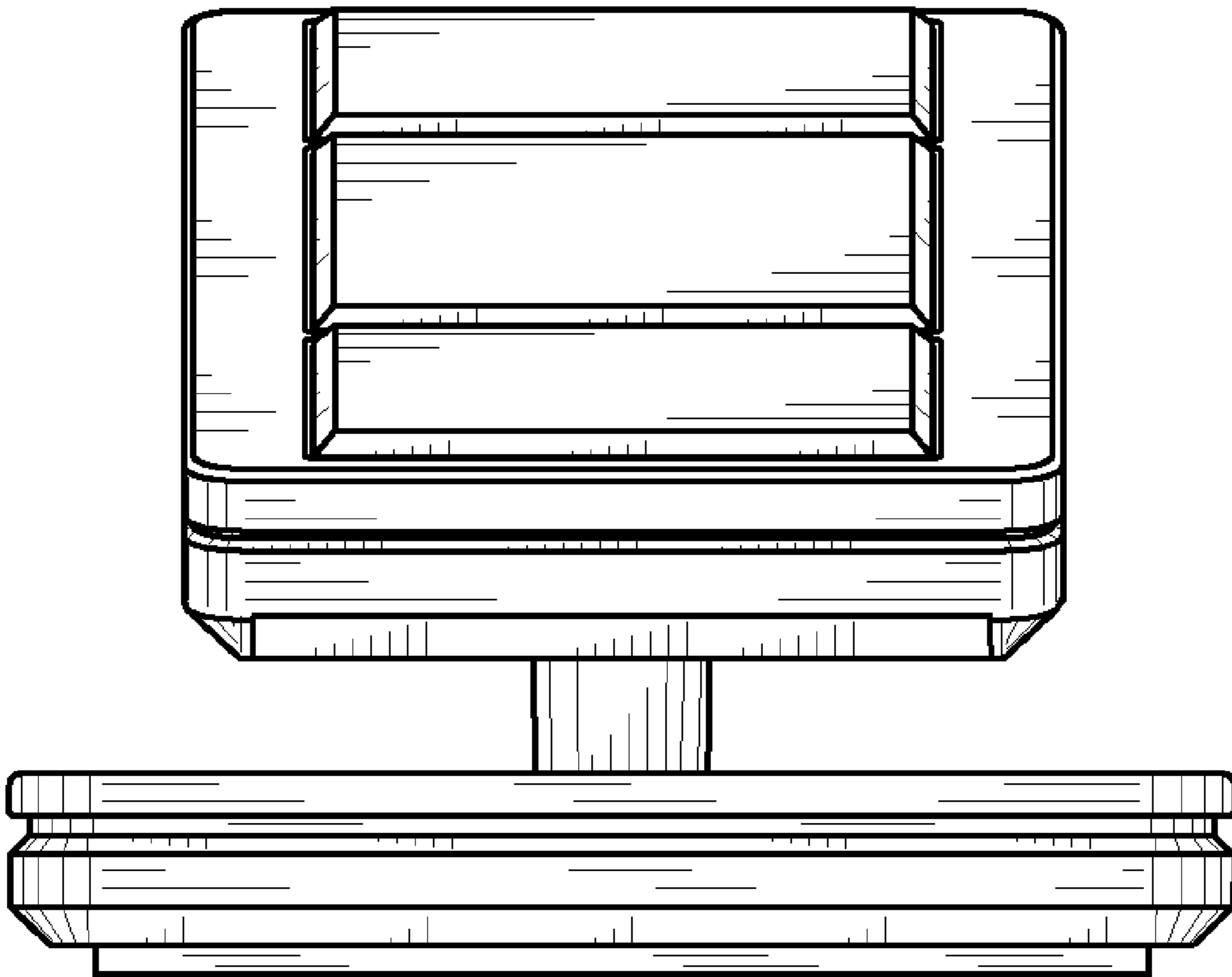


Fig. 9

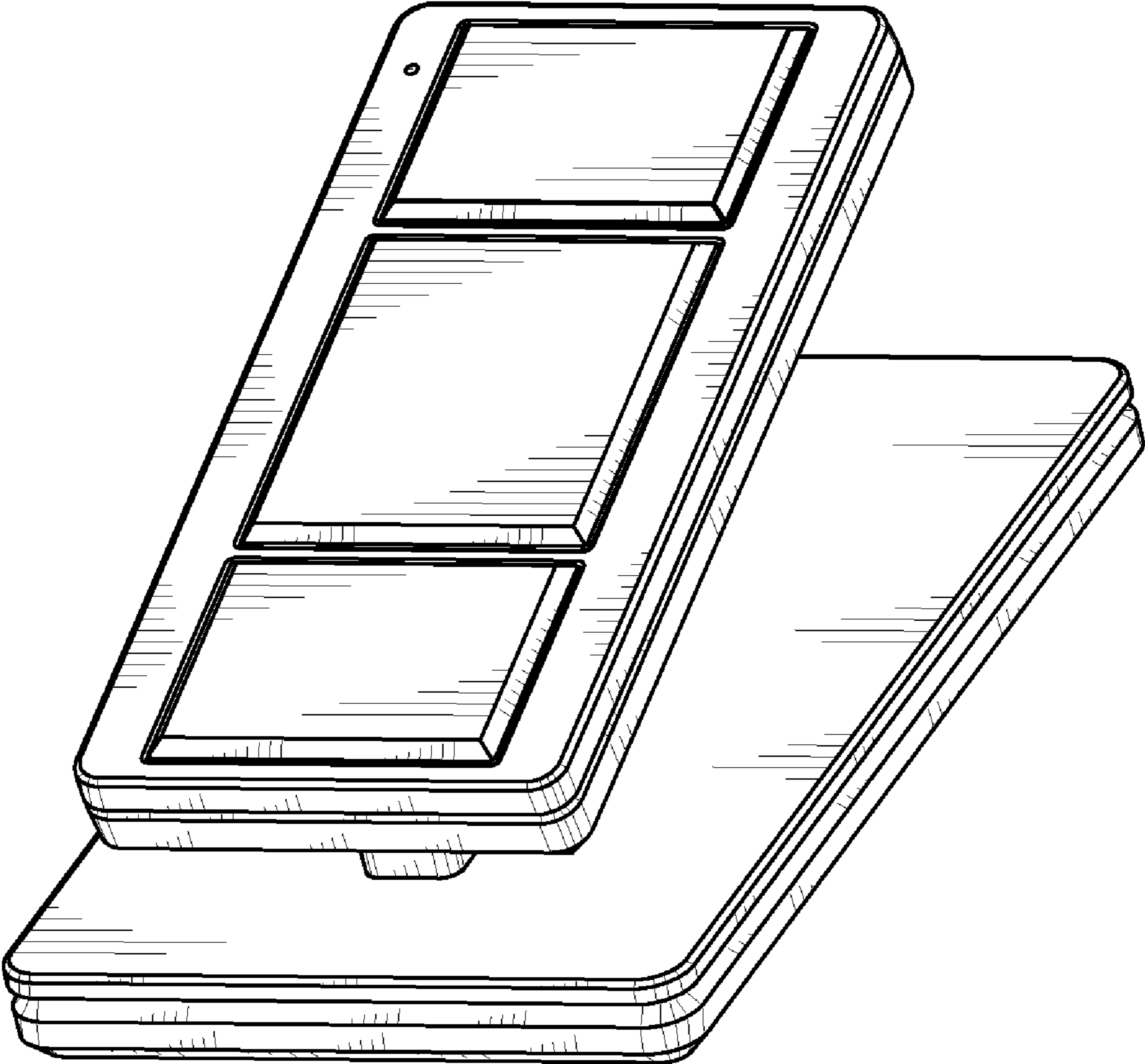


Fig. 10

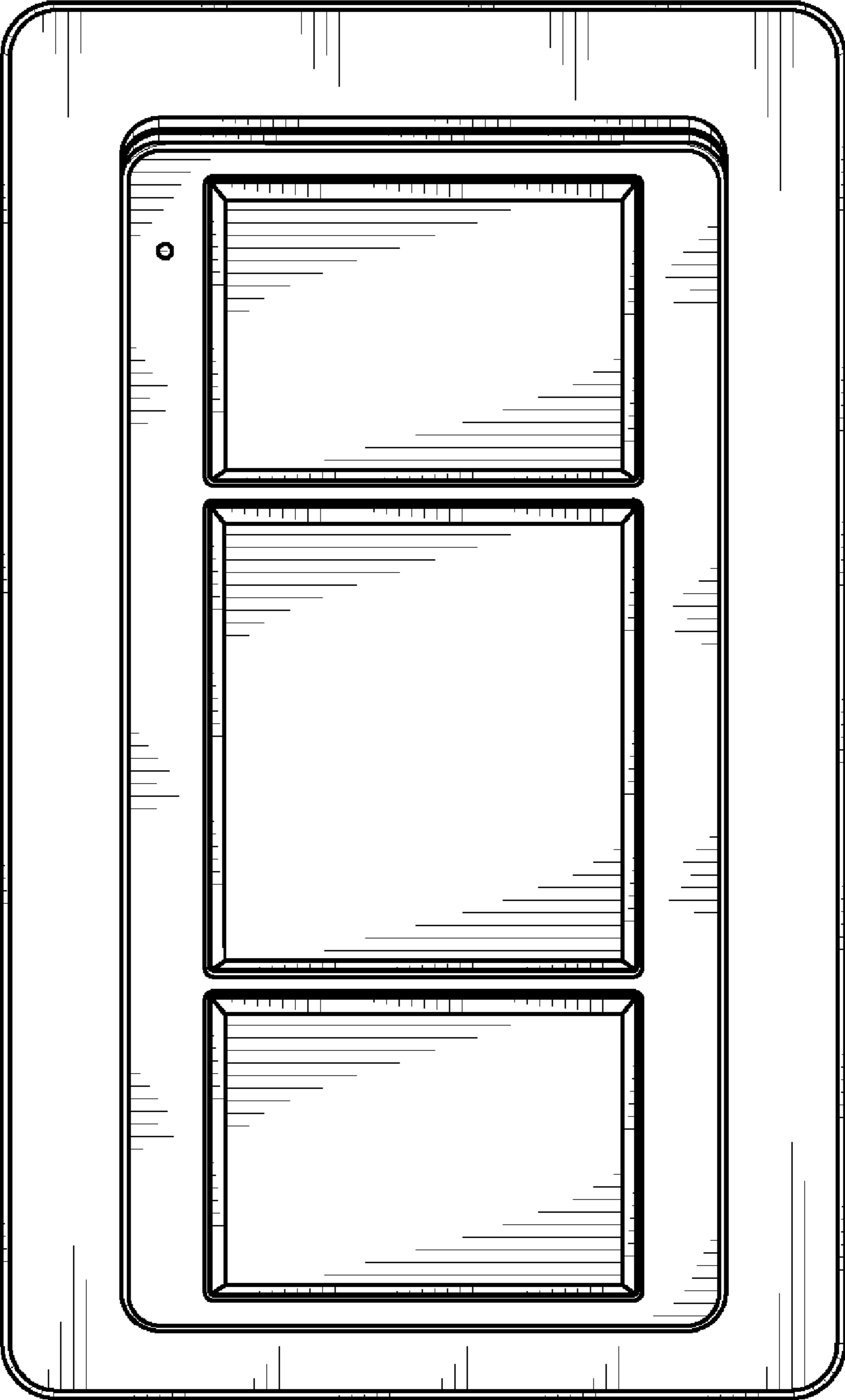


Fig. 11

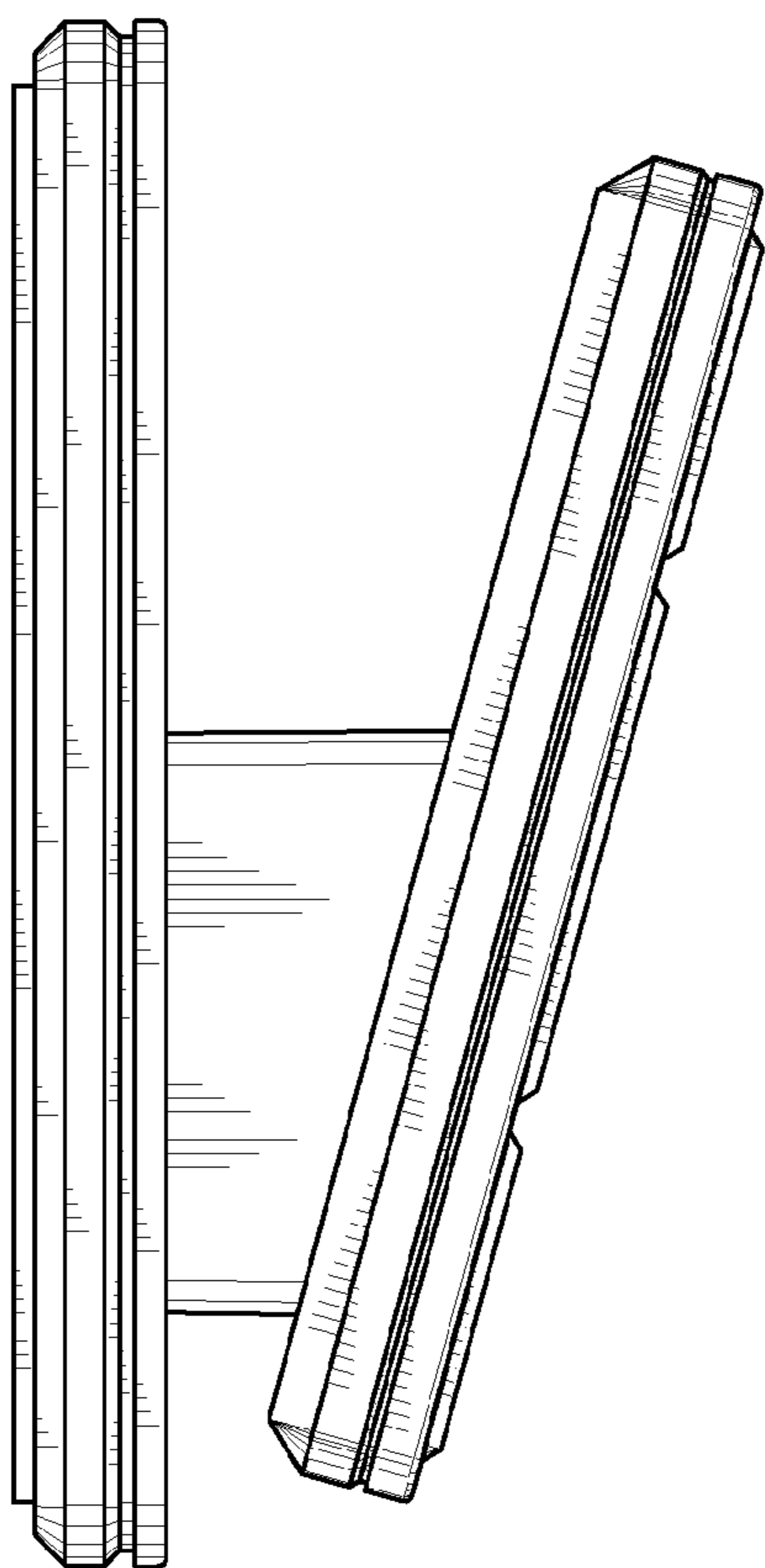


Fig. 12

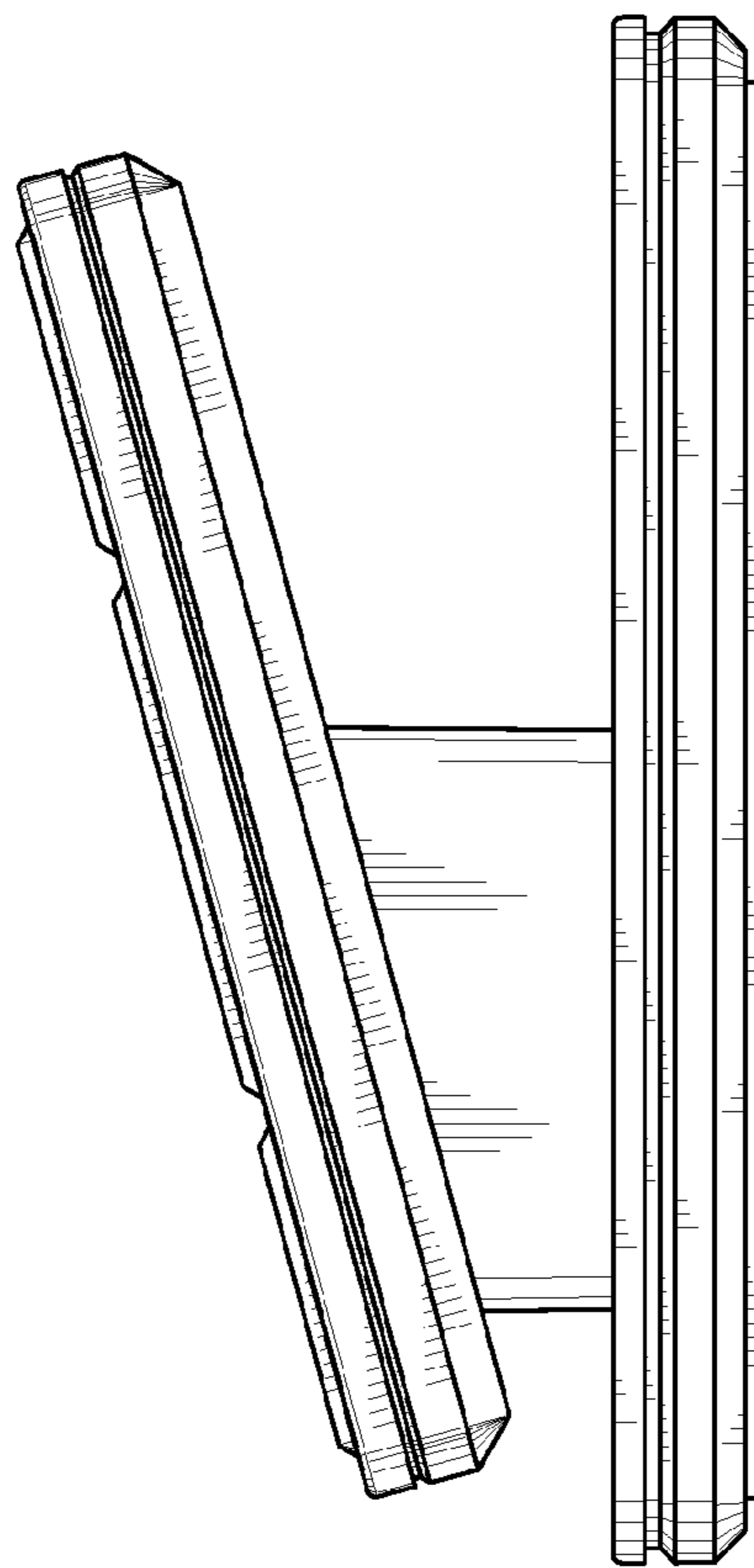


Fig. 13

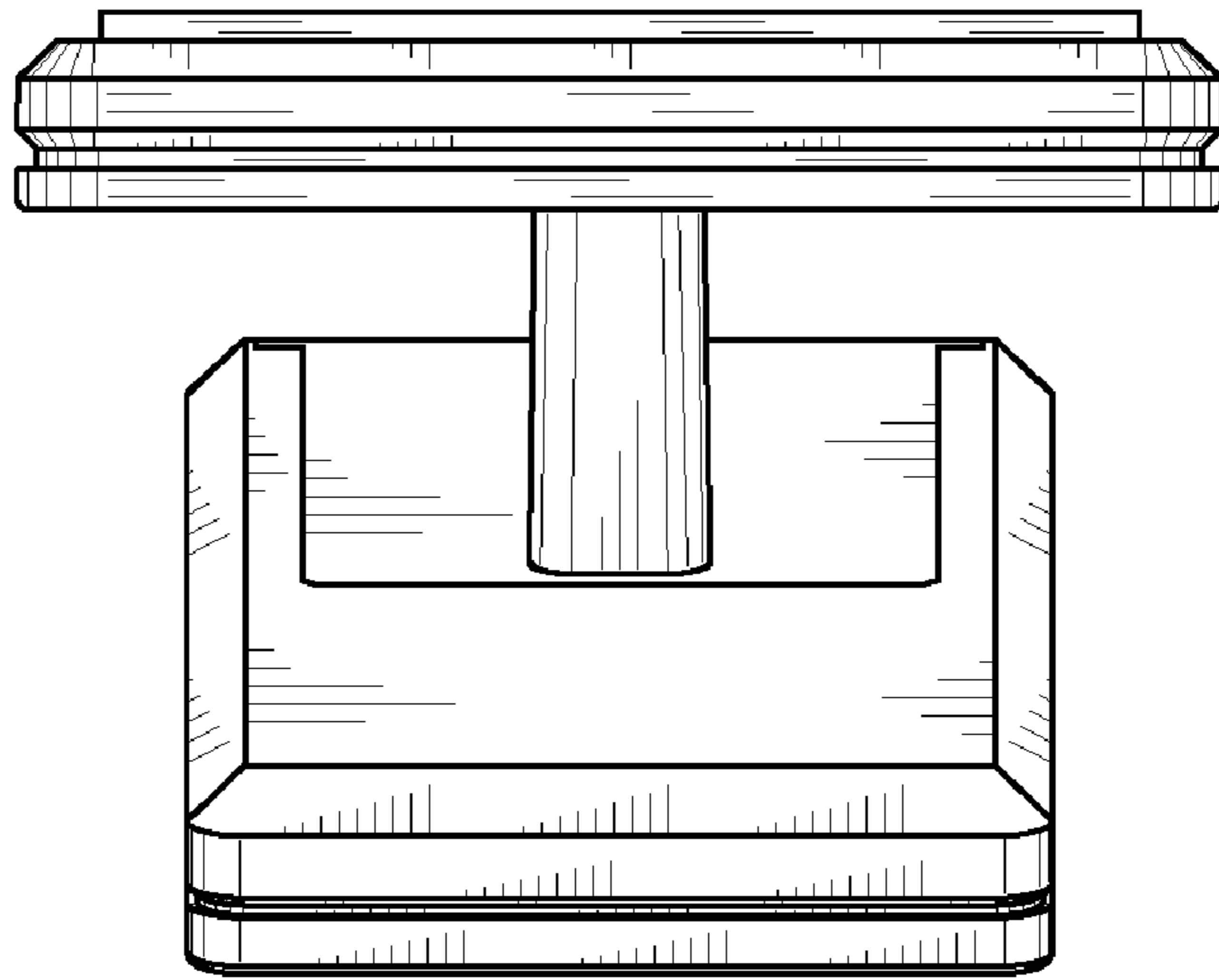


Fig. 14

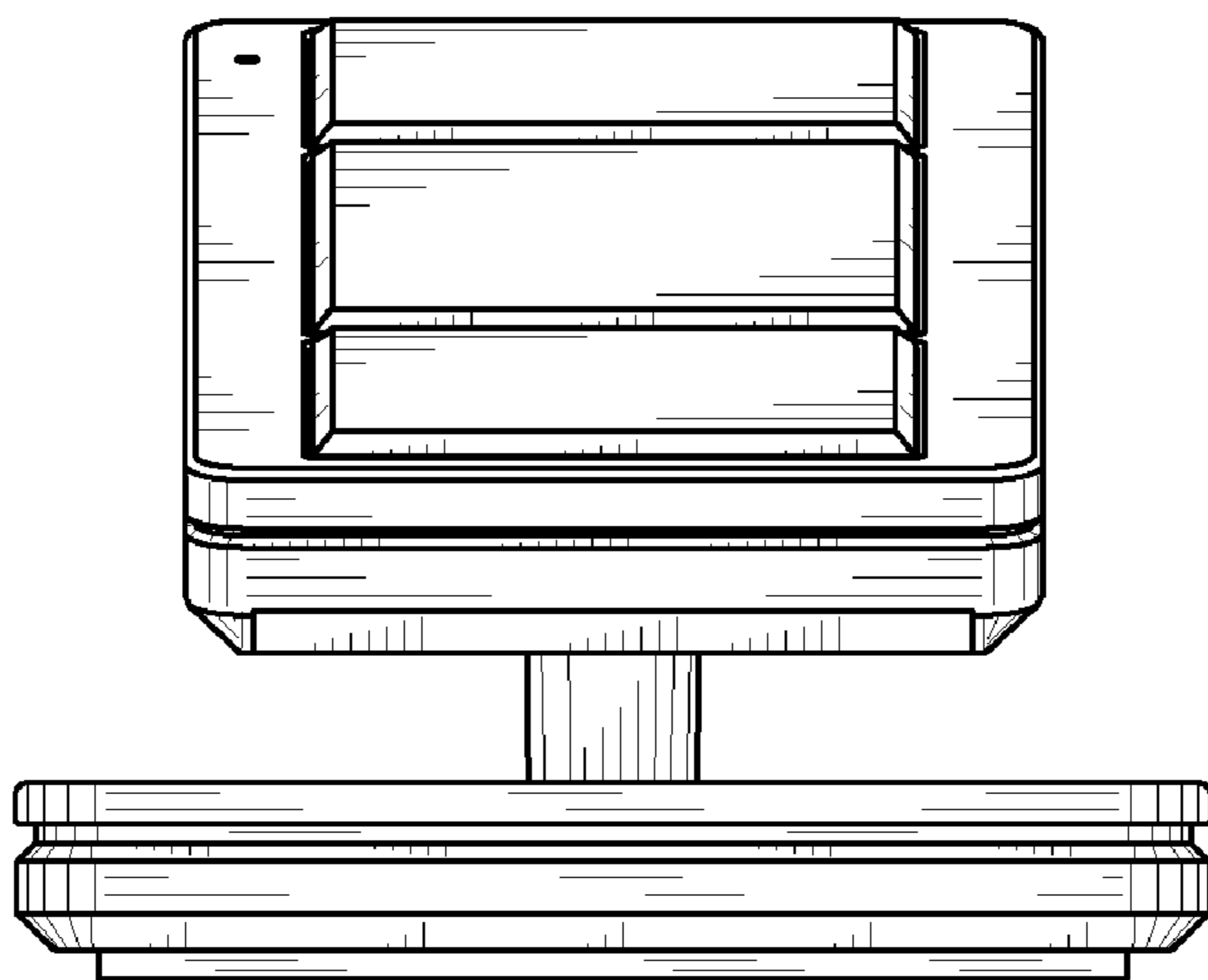


Fig. 15

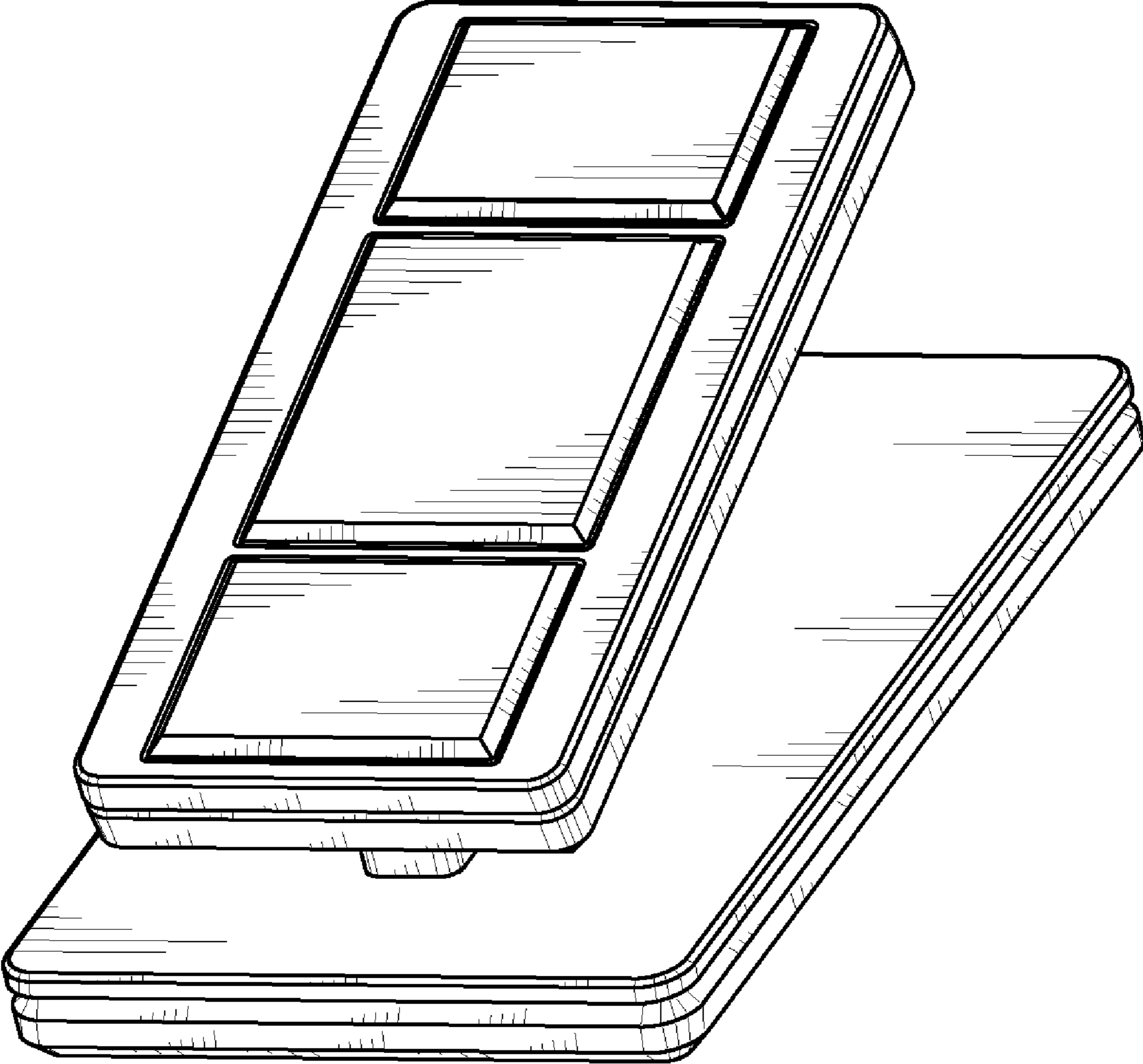


Fig. 16

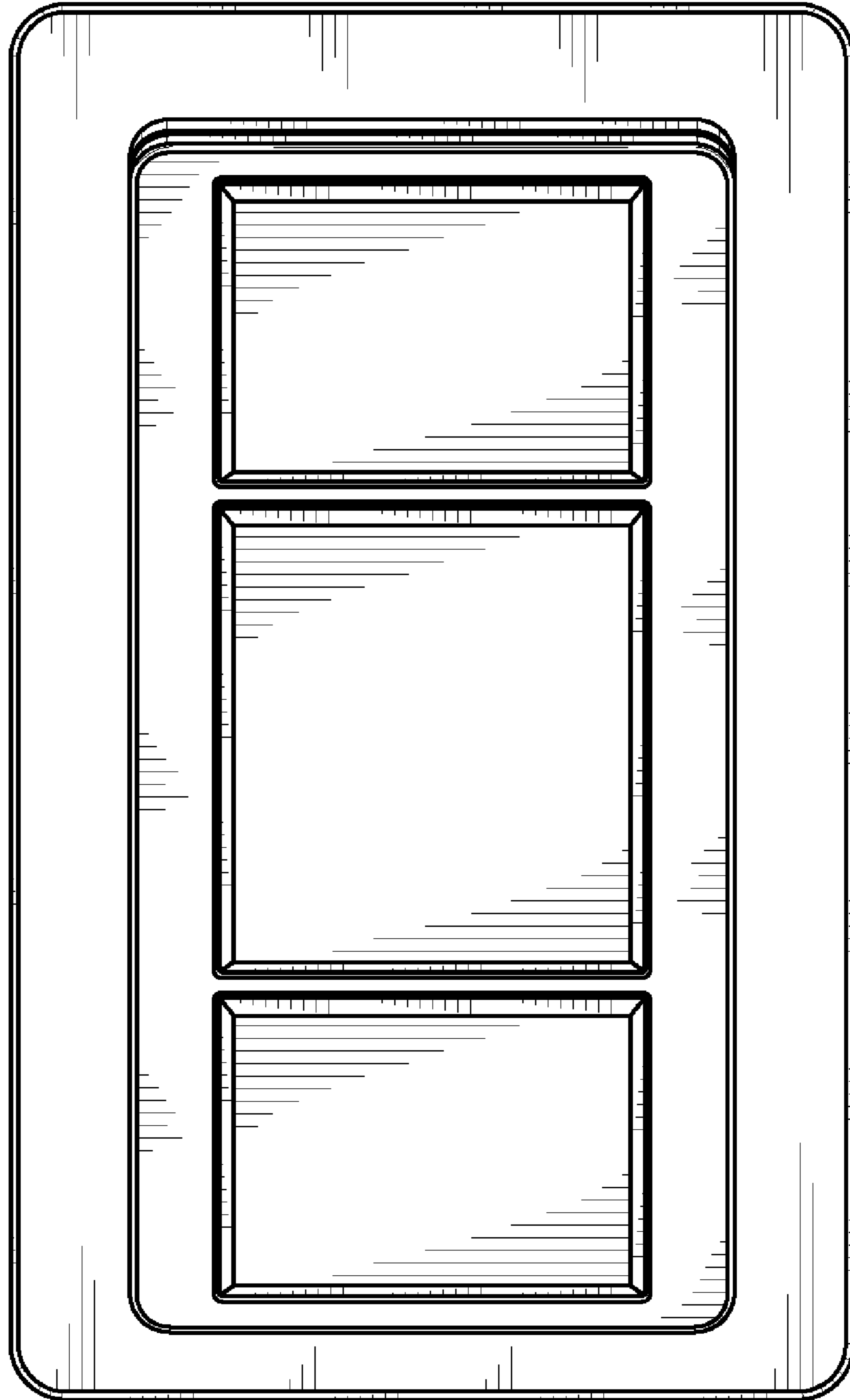


Fig. 17

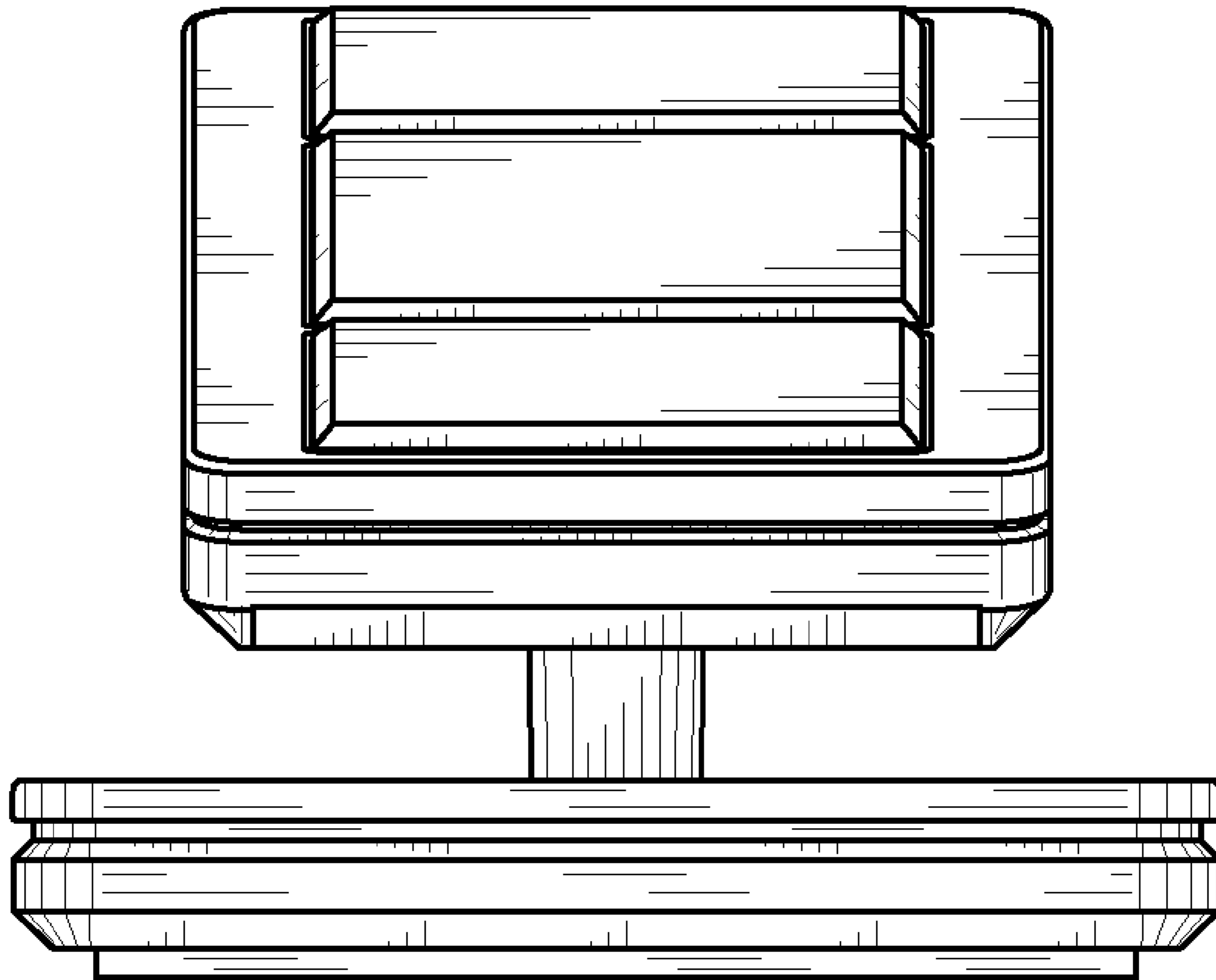


Fig. 18