



US00D614145S

(12) **United States Design Patent**  
**Arosio**

(10) **Patent No.:** **US D614,145 S**  
(45) **Date of Patent:** **\*\* Apr. 20, 2010**

(54) **REMOTE CONTROL**

(75) Inventor: **Oliviero Arosio**, Lissone (IT)

(73) Assignee: **GL.BI.DI. S.R.L.**, Poggio Rusco (IT)

(\*\*) Term: **14 Years**

(21) Appl. No.: **29/309,174**

(22) Filed: **Jun. 30, 2008**

(30) **Foreign Application Priority Data**

Jan. 15, 2008 (EM) ..... 000859970

(51) **LOC (9) Cl.** ..... **14-03**

(52) **U.S. Cl.** ..... **D13/168**

(58) **Field of Classification Search** ..... D13/168;  
D10/104, 106; D14/218, 247; 340/825.22,  
340/825.24, 825.25, 825.31, 825.36, 825.69,  
340/825.72; 341/76; 455/352; D21/372,  
D21/373

See application file for complete search history.

(56) **References Cited**

**U.S. PATENT DOCUMENTS**

D187,795 S \* 5/1960 Person ..... D22/130  
D258,600 S \* 3/1981 Case ..... D21/372  
D269,984 S \* 8/1983 McKechnie ..... D21/373  
D305,018 S \* 12/1989 Pena et al. .... D13/164  
D345,711 S \* 4/1994 Issa ..... D10/106  
D346,125 S \* 4/1994 Cote et al. .... D10/104

D357,919 S \* 5/1995 Tsui ..... D14/218  
D404,670 S \* 1/1999 Jackson et al. .... D10/106  
D436,083 S \* 1/2001 Kishita et al. .... D13/168  
6,693,552 B1 \* 2/2004 Herzig et al. .... 340/825.72  
D494,489 S \* 8/2004 Tulloch ..... D10/106  
D508,863 S \* 8/2005 Wallenberg ..... D10/106  
D515,956 S \* 2/2006 Li ..... D10/106  
D546,295 S \* 7/2007 Marchetto et al. .... D13/168  
7,296,796 B2 \* 11/2007 Mackenzie ..... 273/146  
D591,693 S \* 5/2009 Ohlert et al. .... D13/174

\* cited by examiner

*Primary Examiner*—Selina Sikder

(74) *Attorney, Agent, or Firm*—Modiano & Associati; Albert Josif; Daniel J. O’Byrne

(57) **CLAIM**

The ornamental design for “remote control”, as shown.

**DESCRIPTION**

FIG. 1 is a perspective view of a remote control, showing my new design;

FIG. 2 is a top view thereof;

FIG. 3 is a bottom view thereof;

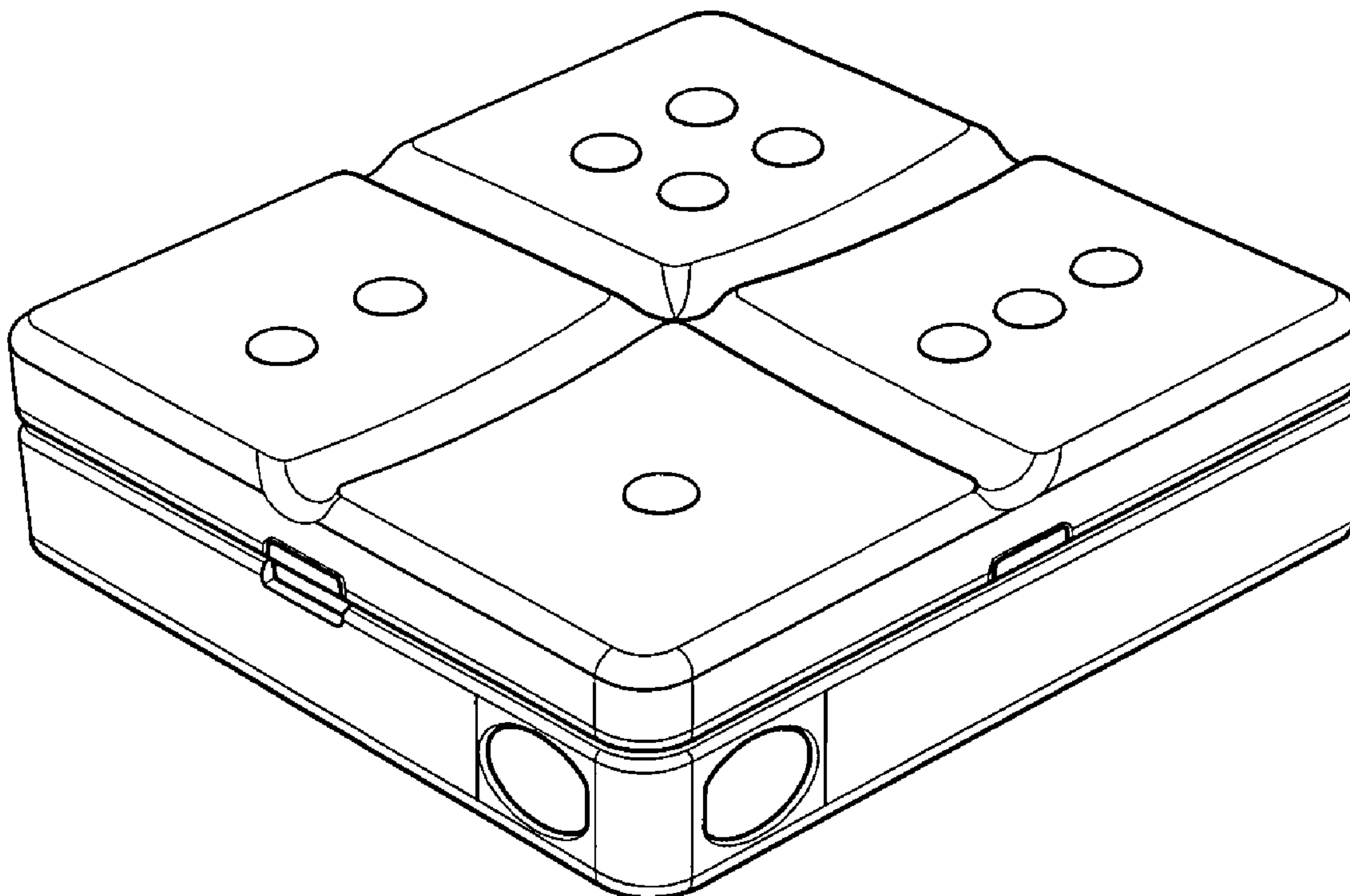
FIG. 4 is a front view thereof;

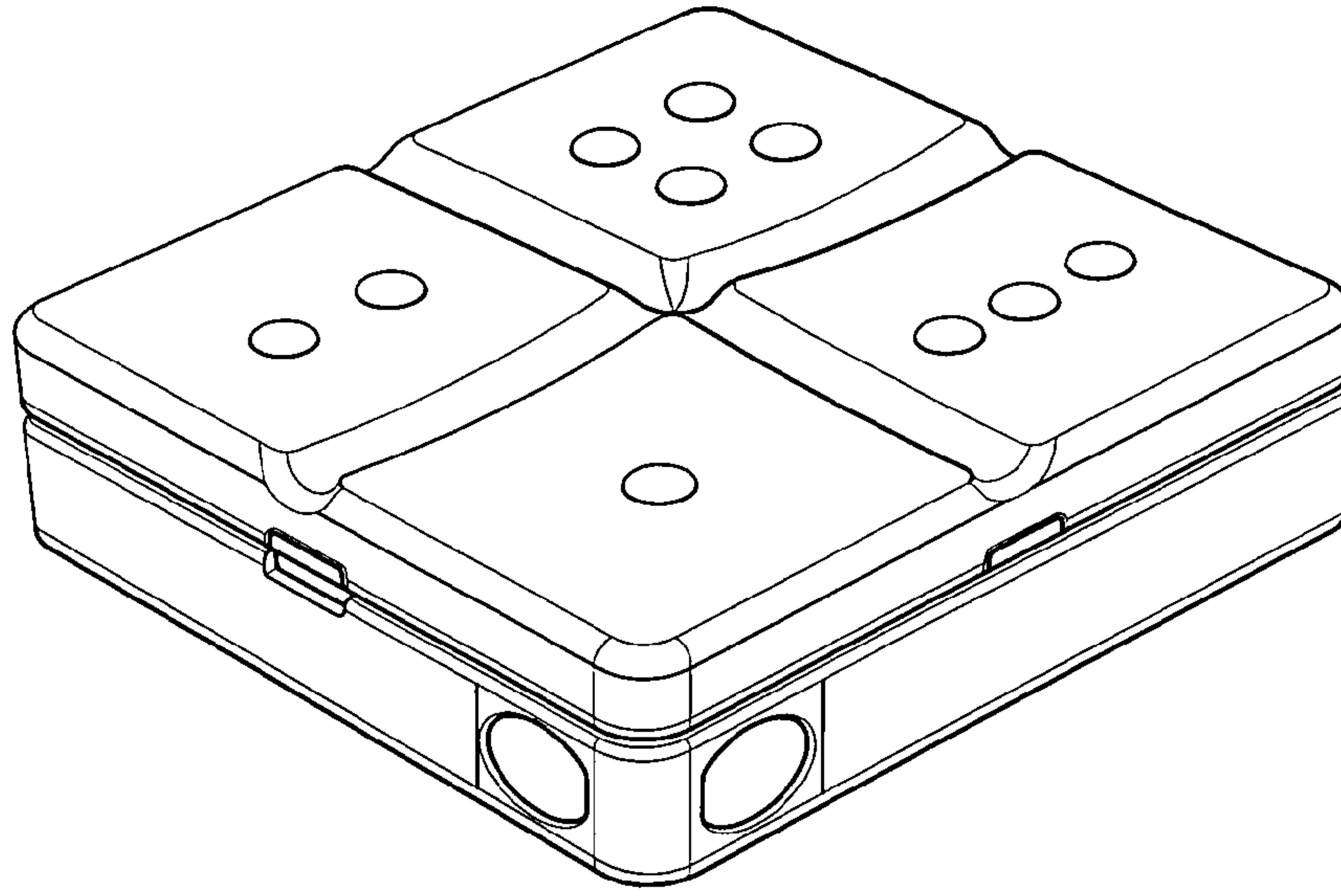
FIG. 5 is a rear view thereof;

FIG. 6 is a right side view thereof; and,

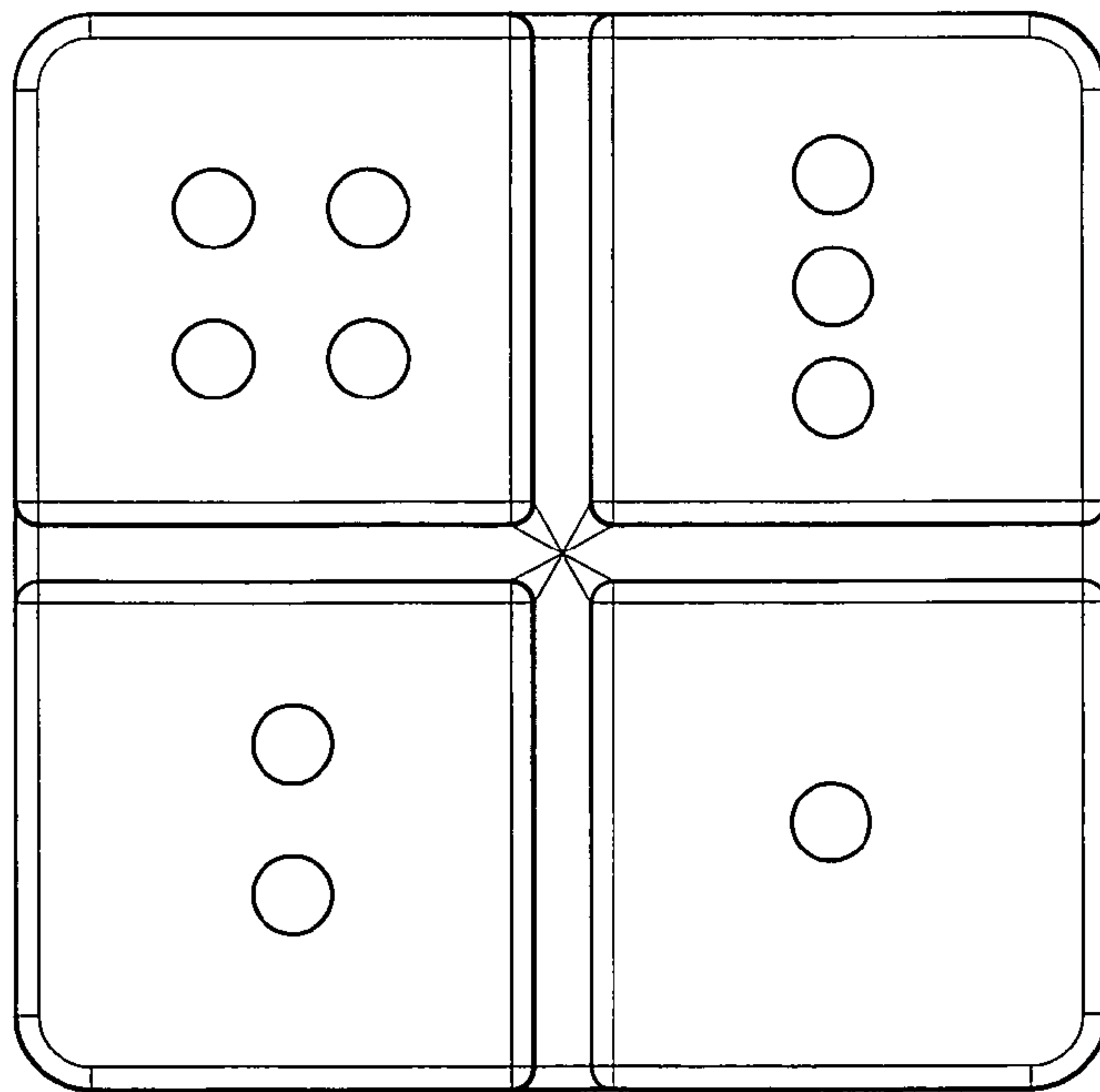
FIG. 7 is a left side view thereof.

**1 Claim, 3 Drawing Sheets**

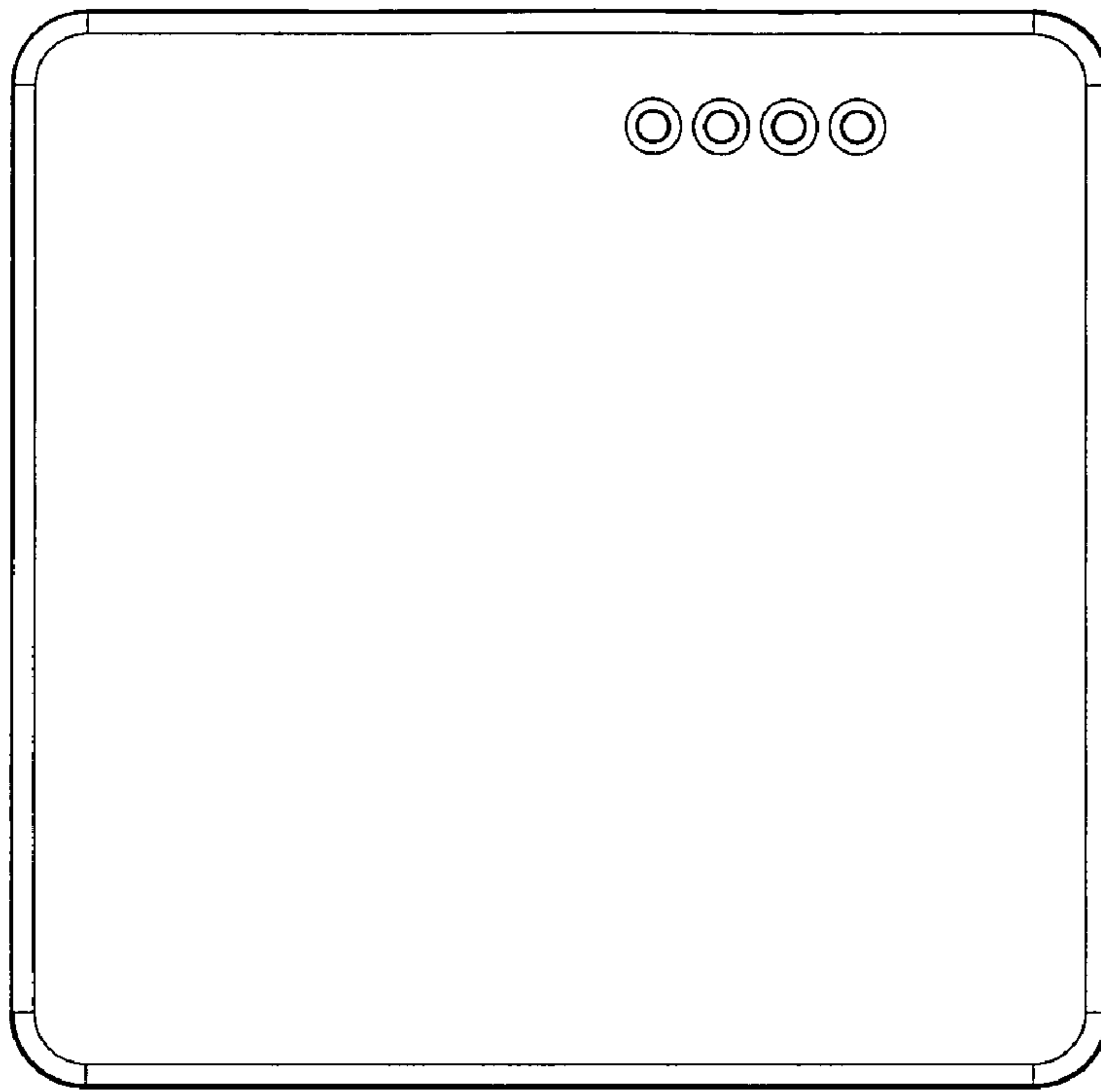




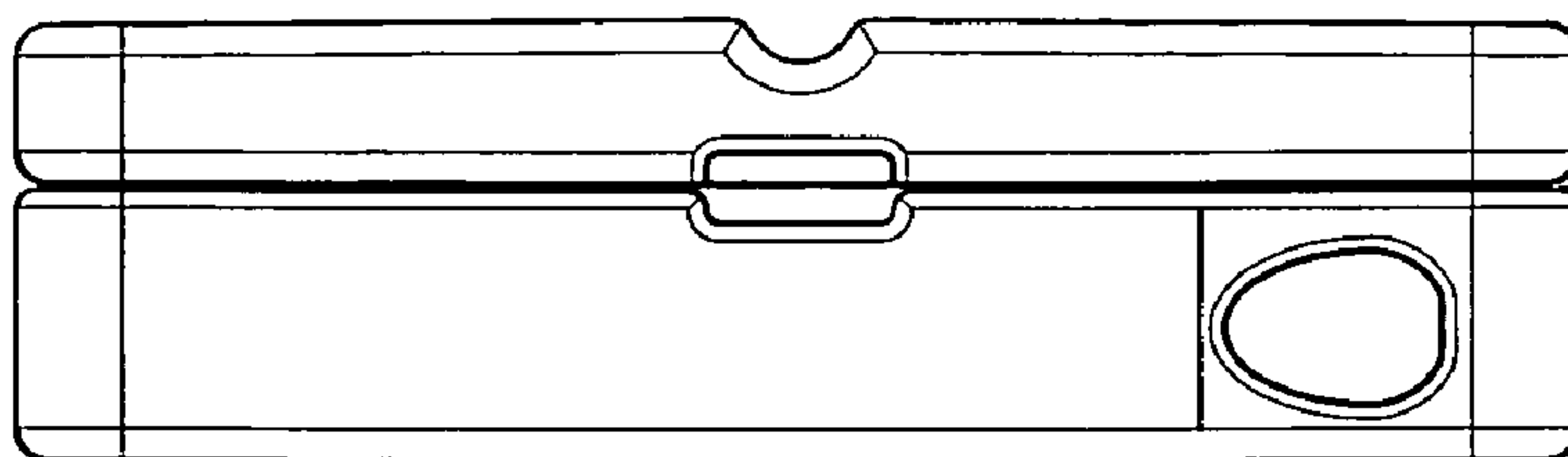
*Fig. 1*



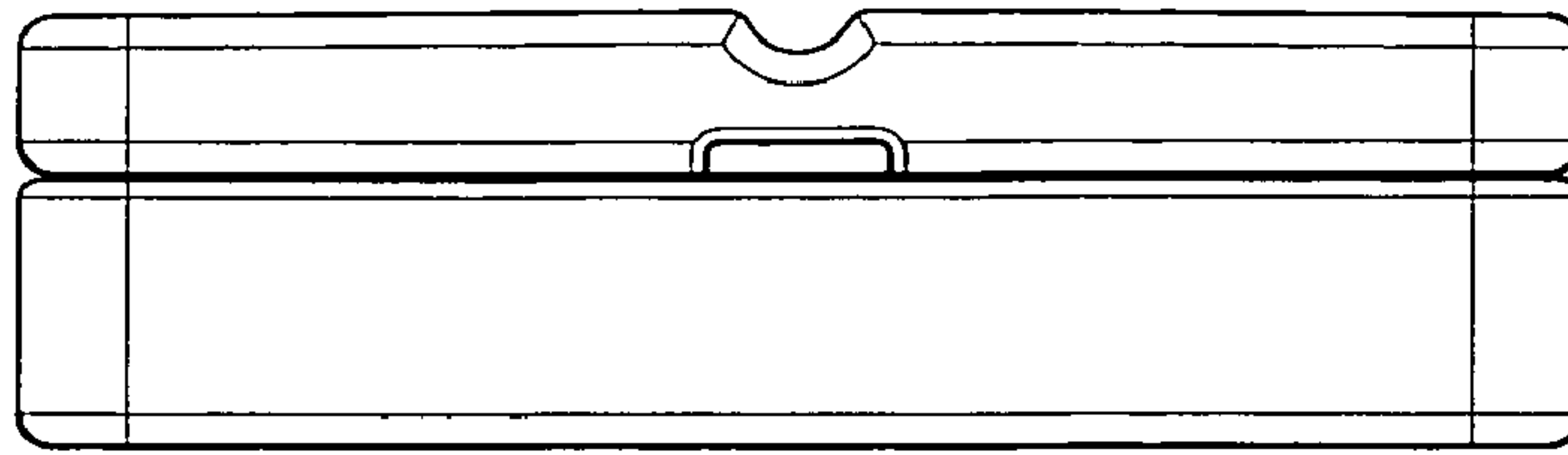
*Fig. 2*



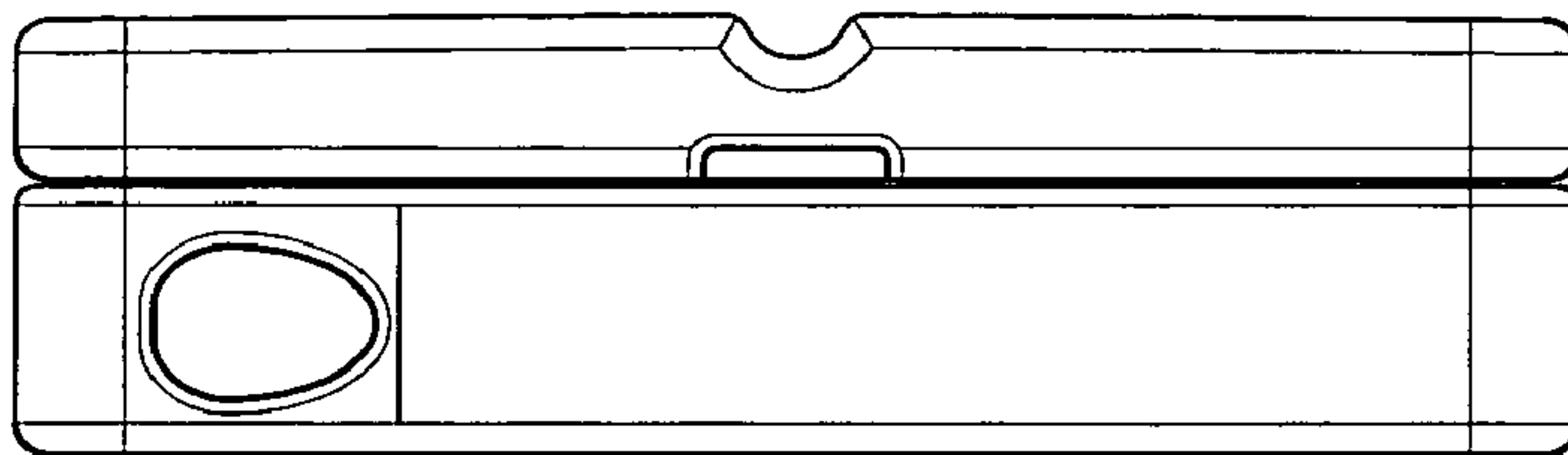
*Fig. 3*



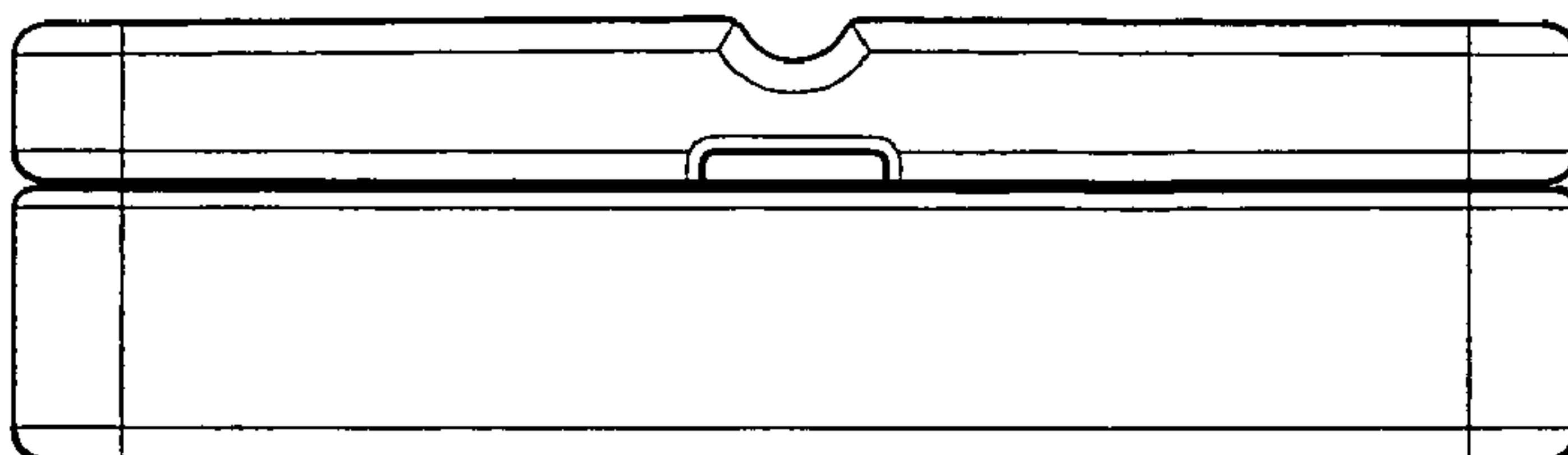
*Fig. 4*



*Fig. 5*



*Fig. 6*



*Fig. 7*