



US00D614143S

(12) **United States Design Patent**
Matsuoka

(10) **Patent No.:** **US D614,143 S**
(45) **Date of Patent:** **** Apr. 20, 2010**

(54) **END SECTION OF A POWER SUPPLY PLUG**

DESCRIPTION

- (75) Inventor: **Yoshimichi Matsuoka**, Cupertino, CA (US)
- (73) Assignee: **Palm, Inc.**, Sunnyvale, CA (US)
- (**) Term: **14 Years**
- (21) Appl. No.: **29/323,687**
- (22) Filed: **Aug. 28, 2008**
- (51) **LOC (9) Cl.** **13-03**
- (52) **U.S. Cl.** **D13/154**
- (58) **Field of Classification Search** D13/133,
D13/138.1, 154, 156, 184; 439/357, 358,
439/447, 483, 586, 578, 606-610, 668-669,
439/678-686, 889, 892
See application file for complete search history.

FIG. 1 is a front isometric view of a end section of a power supply plug showing the new design;
 FIG. 2 is rear isometric view thereof;
 FIG. 3 is a bottom plan view thereof;
 FIG. 4 is a top plan view thereof;
 FIG. 5 is a right side elevational view thereof;
 FIG. 6 is a left side elevational view thereof;
 FIG. 7 is a front elevational view thereof;
 FIG. 8 is a front elevational view of a second embodiment of FIG. 1;
 FIG. 9 is front isometric view of FIG. 8;
 FIG. 10 is a top plan view of FIG. 1, aligned to receive and mate with a connector;
 FIG. 11 is a right side elevational view of FIG. 10;
 FIG. 12 is a front isometric view of FIG. 10;
 FIG. 13 is a rear isometric view of FIG. 10;
 FIG. 14 is a top plan view of FIG. 8 having a connector inserted and mated;
 FIG. 15 is a right side view of FIG. 14;
 FIG. 16 is a front isometric view of FIG. 14; and,
 FIG. 17 is a rear isometric view of FIG. 14.

(56) **References Cited**

U.S. PATENT DOCUMENTS

D246,898 S *	1/1978	Lisnay	D13/160
D549,662 S *	8/2007	Lee et al.	D13/154
D559,183 S *	1/2008	Victor	D13/153
D568,822 S *	5/2008	Kuo	D13/133

* cited by examiner

Primary Examiner—Nanda Bondade

(74) *Attorney, Agent, or Firm*—Mahamedi Paradise Kreisman LLP

(57) **CLAIM**

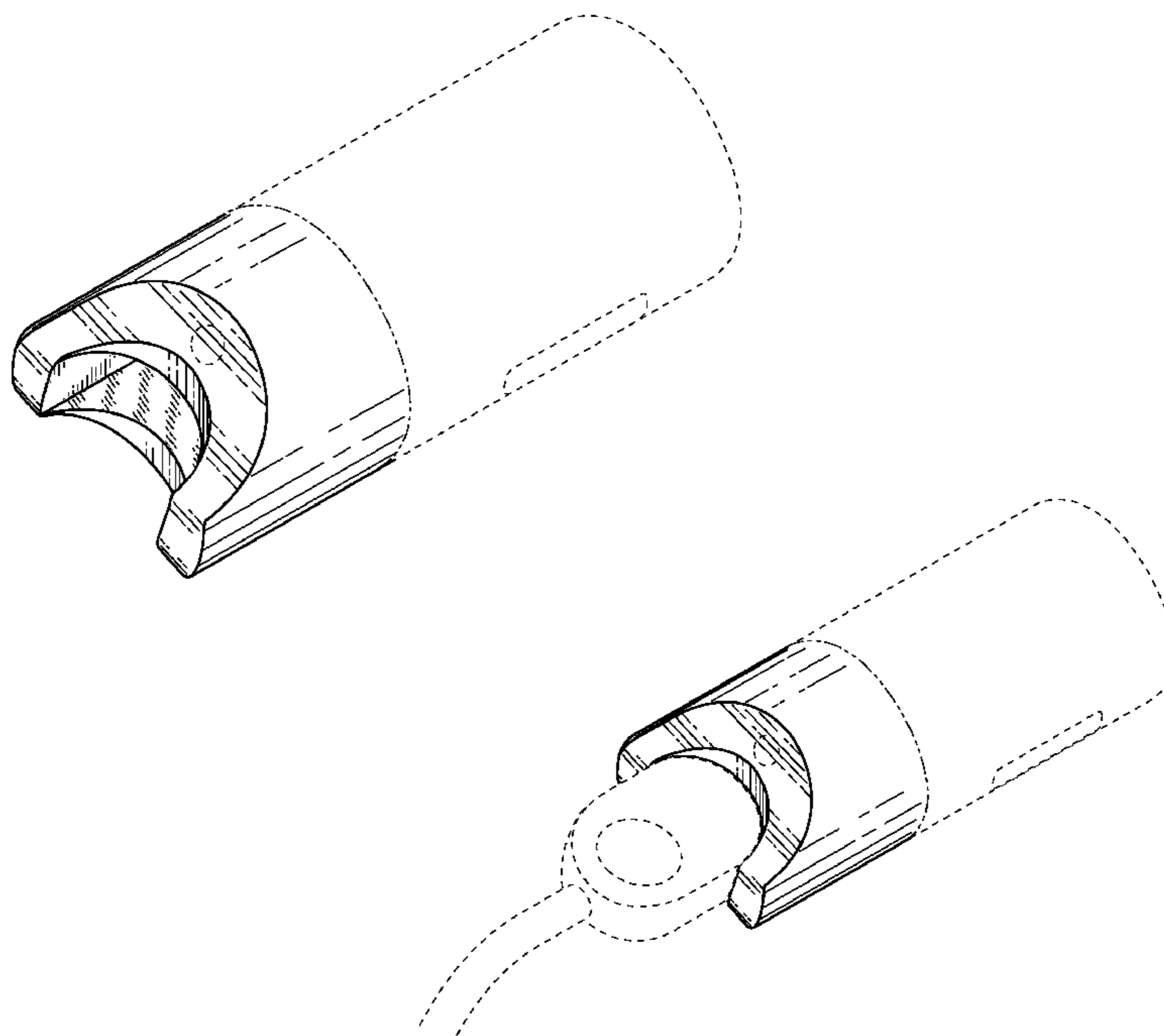
An ornamental design for an end section of a power supply plug, as shown and described.

The bottom, right and left side views of embodiment 2 are identical to first embodiment.

The stipple shading represents contrast in color and texture.

The broken line showing on the drawing disclosure is for illustrative purposes only and forms no part of the claimed design.

1 Claim, 12 Drawing Sheets



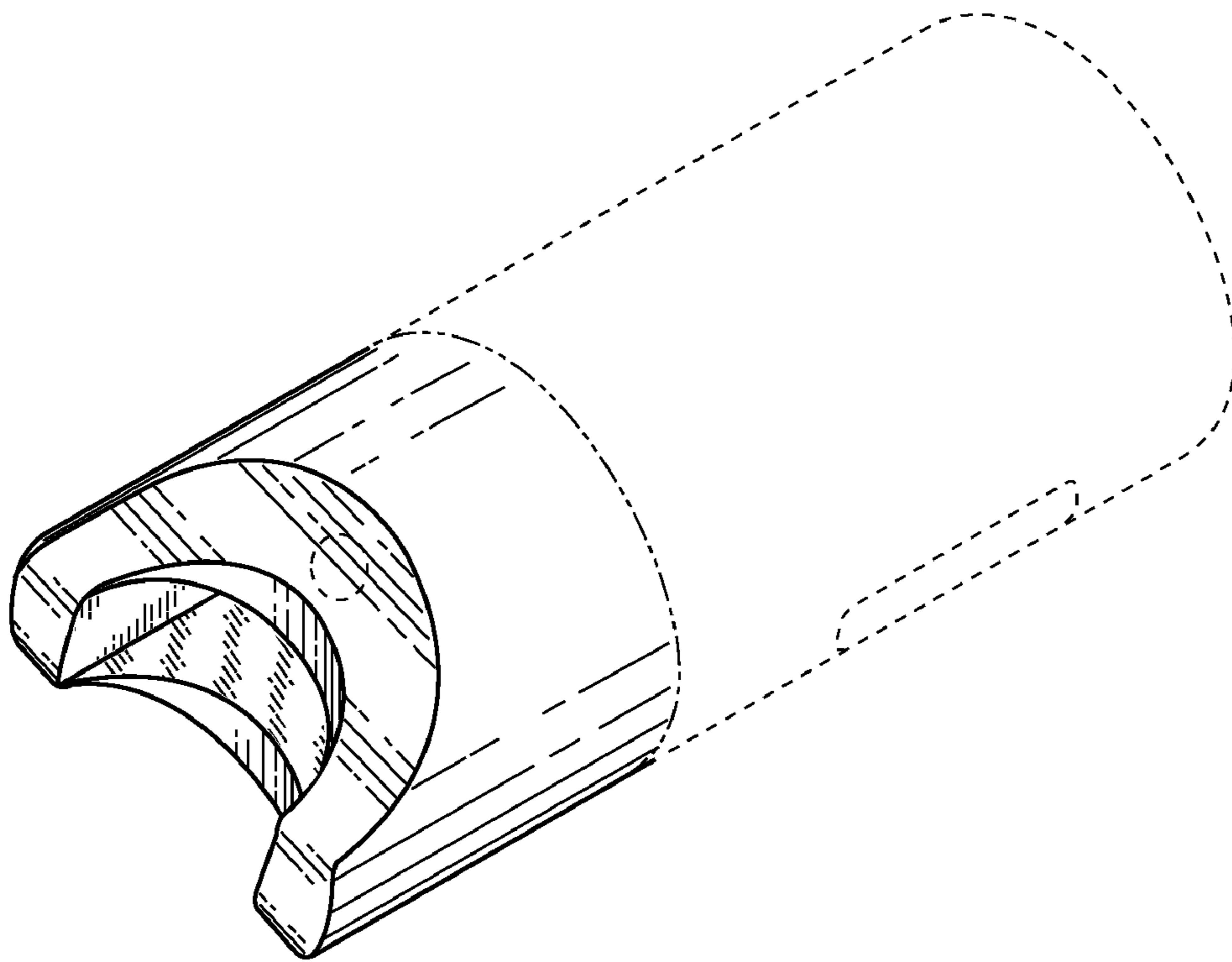


FIG. 1

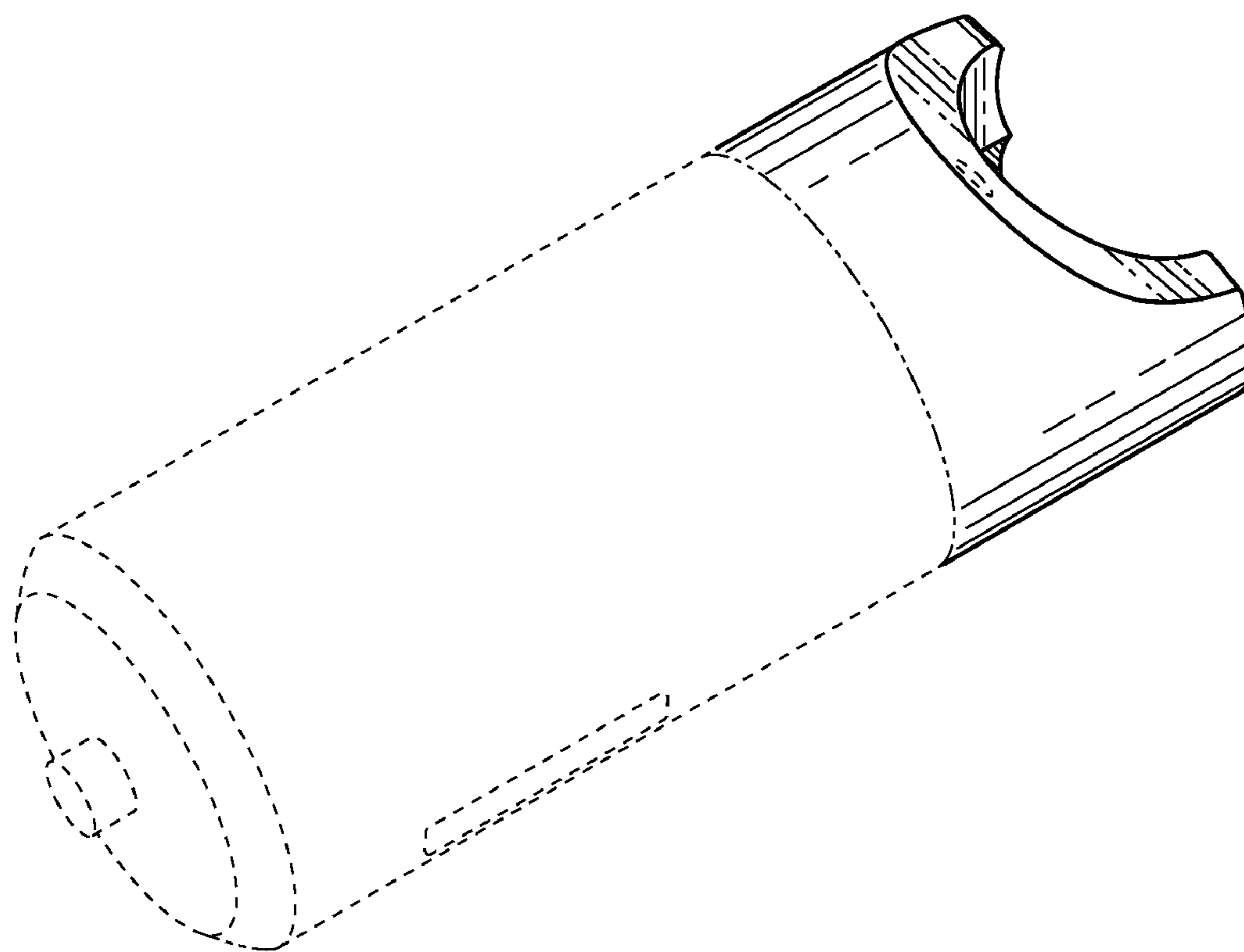


FIG. 2



FIG. 3

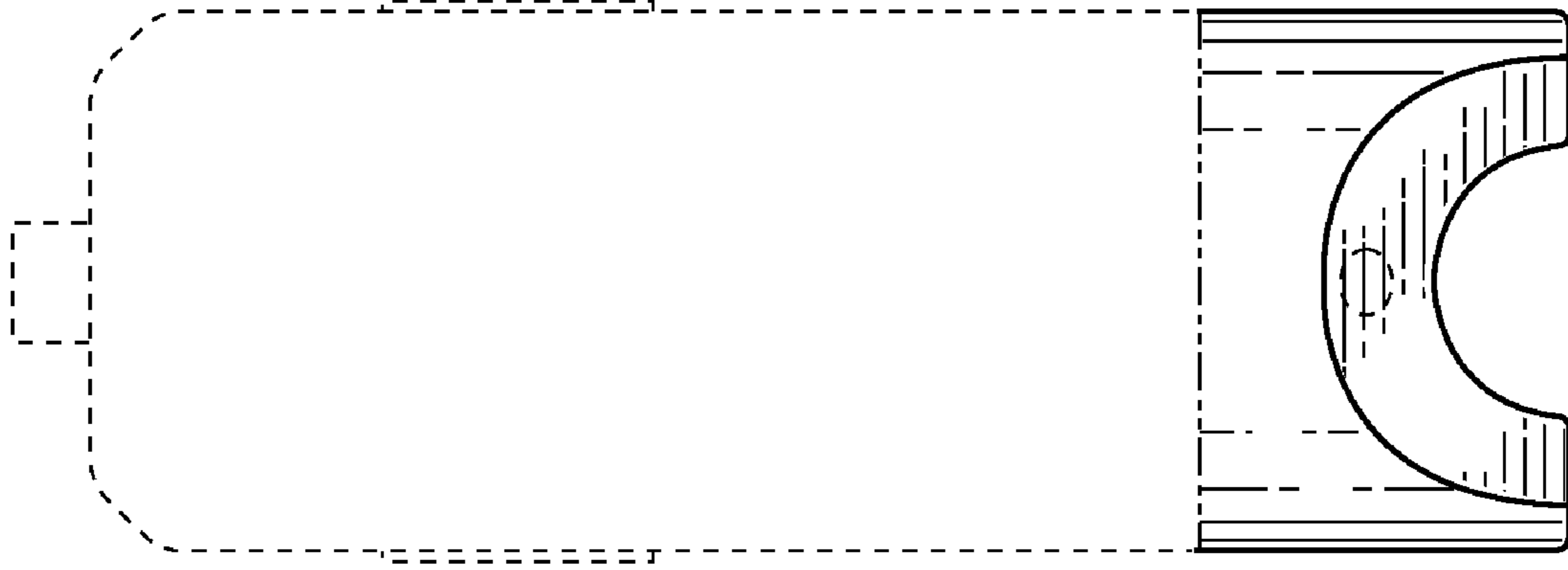


FIG. 4

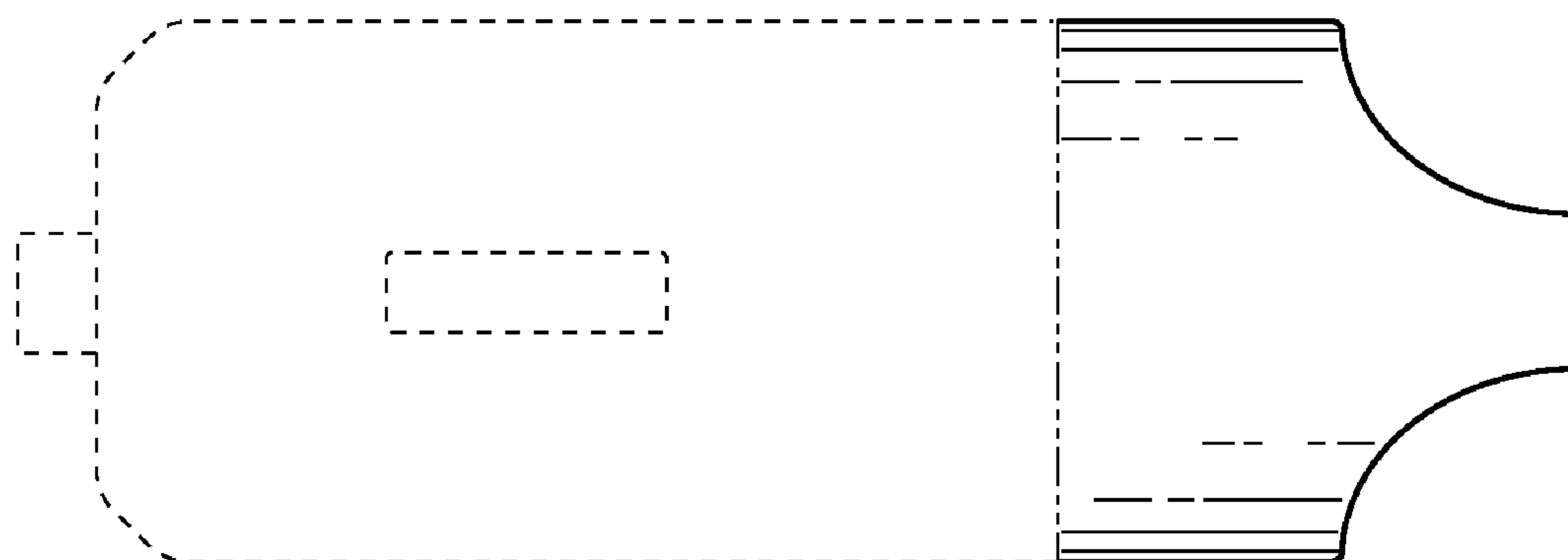


FIG. 5

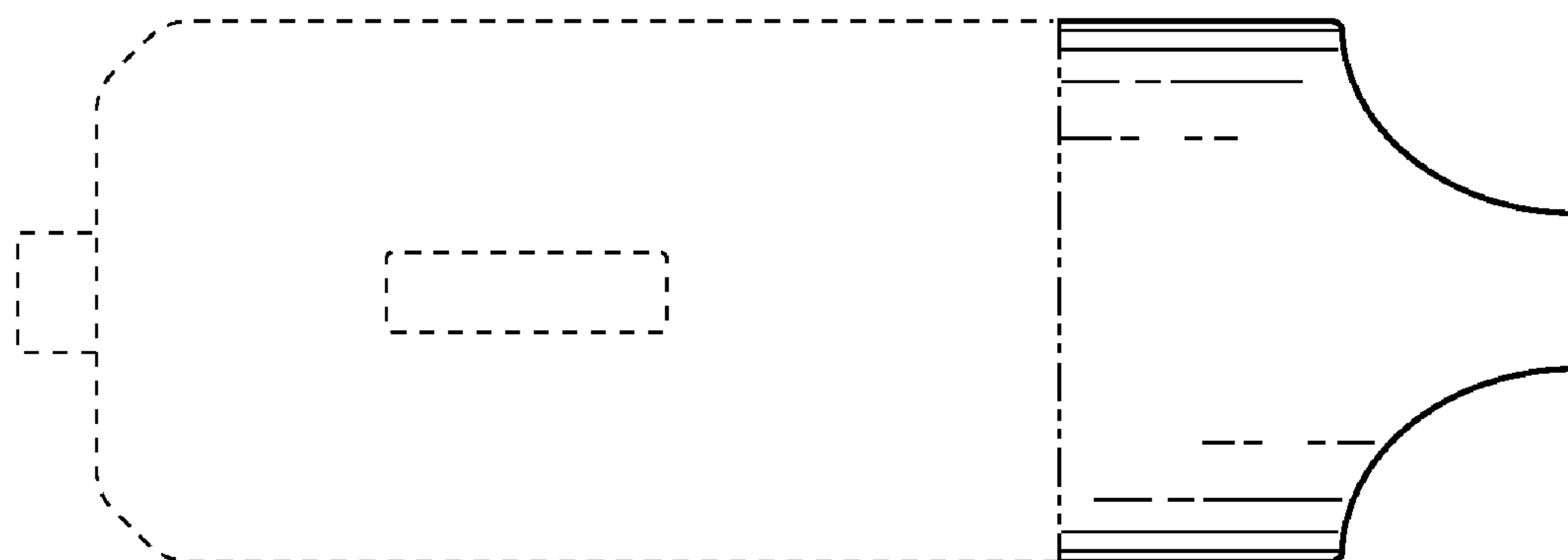


FIG. 6

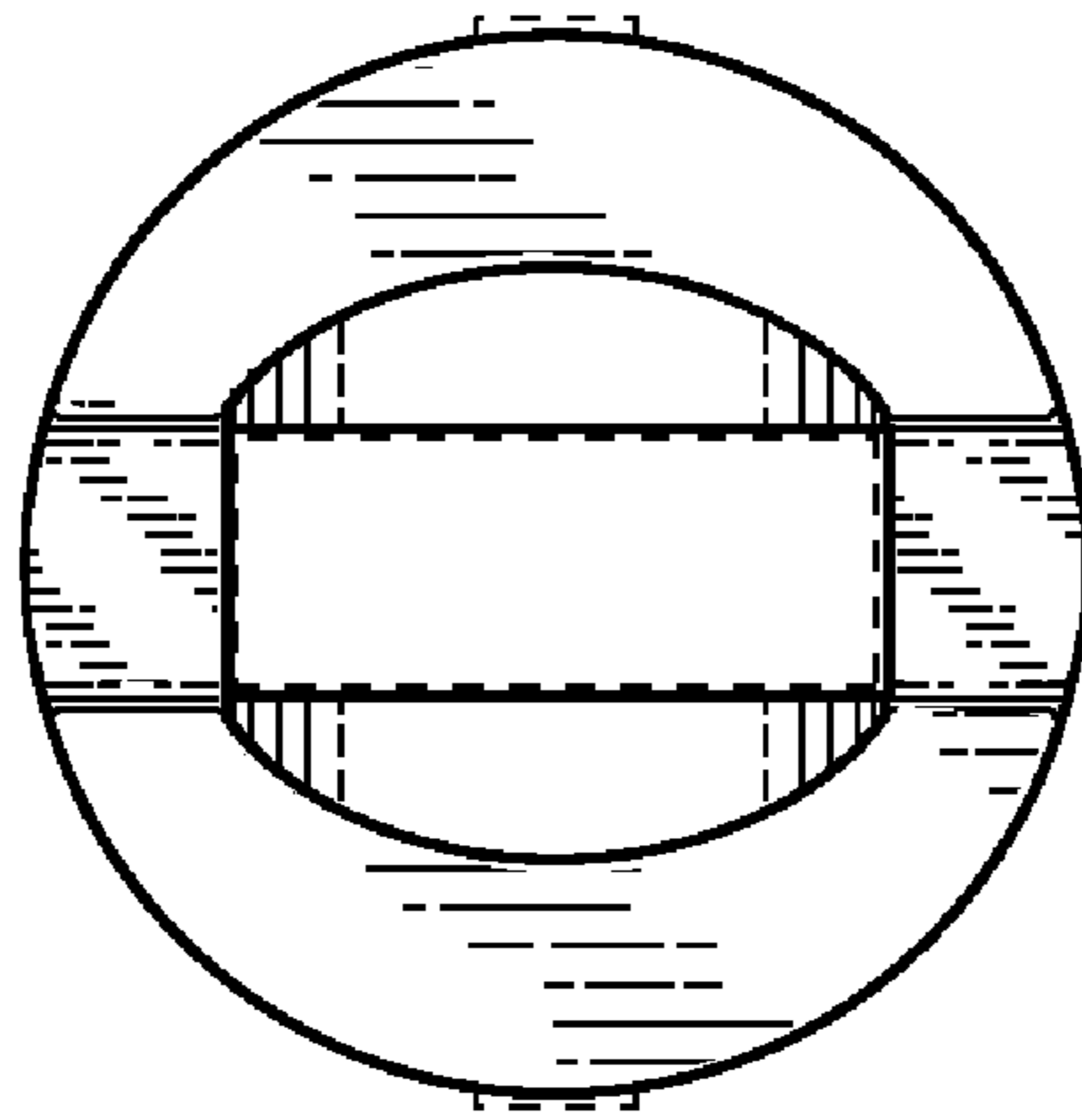


FIG. 7

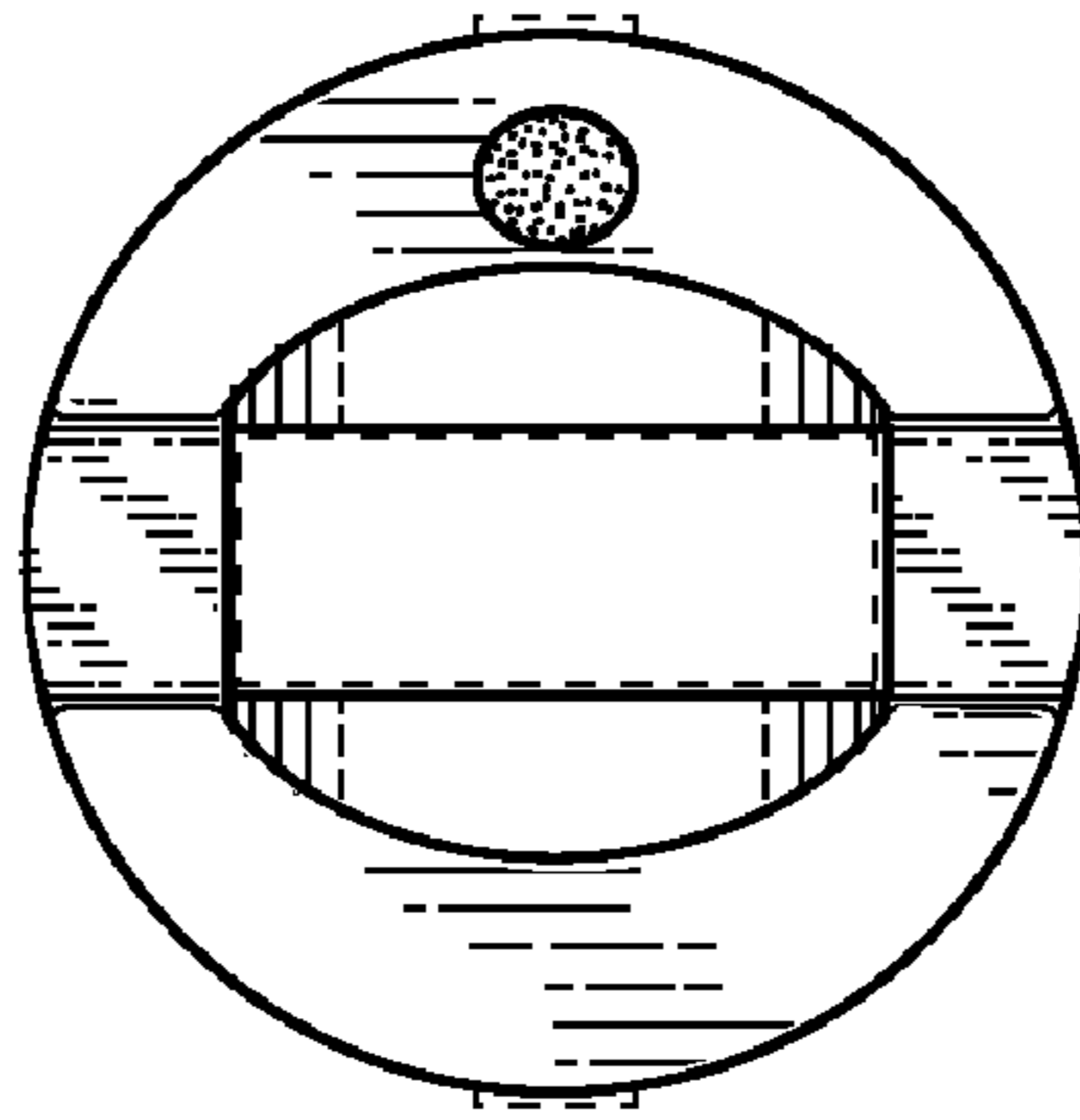


FIG. 8

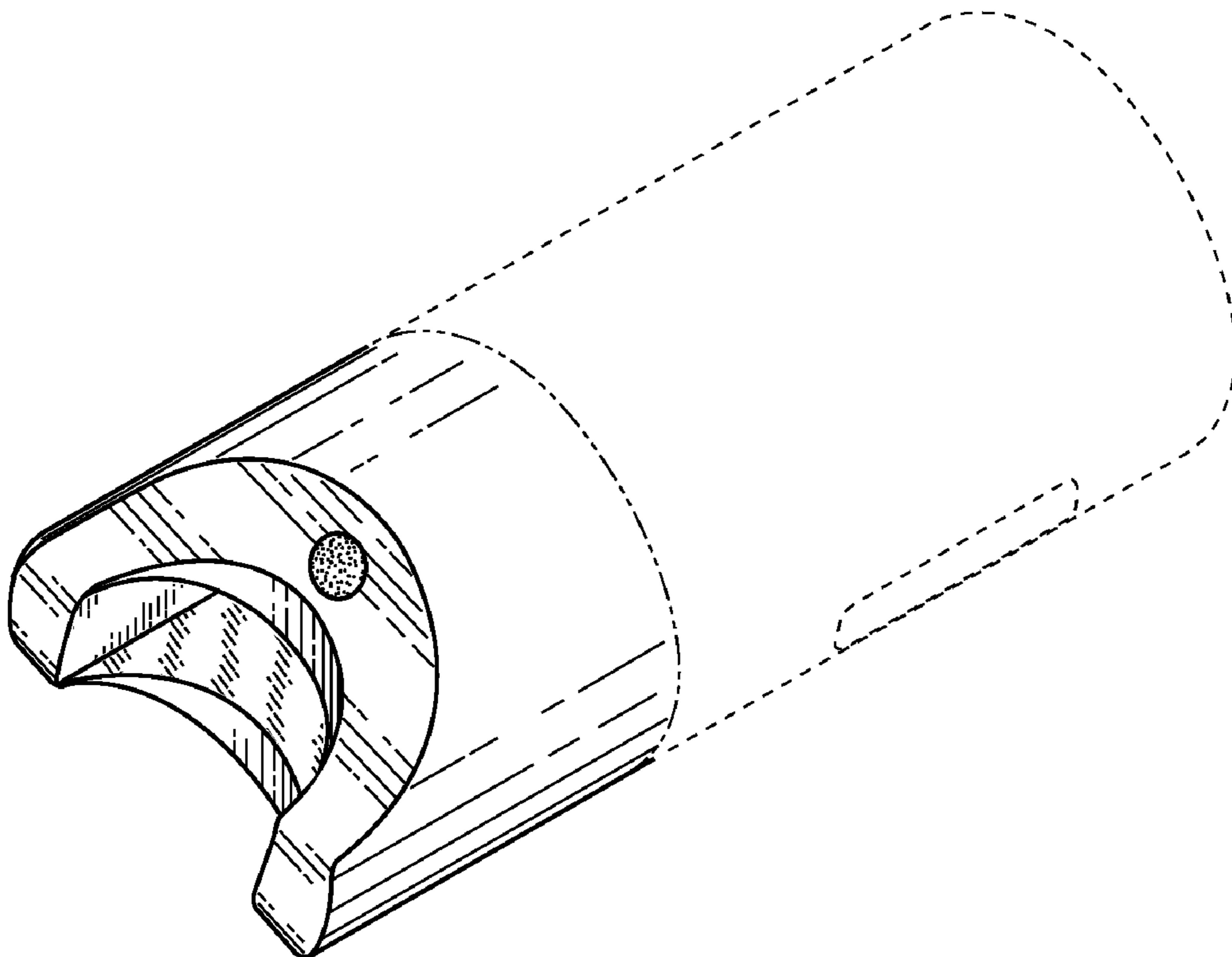


FIG. 9

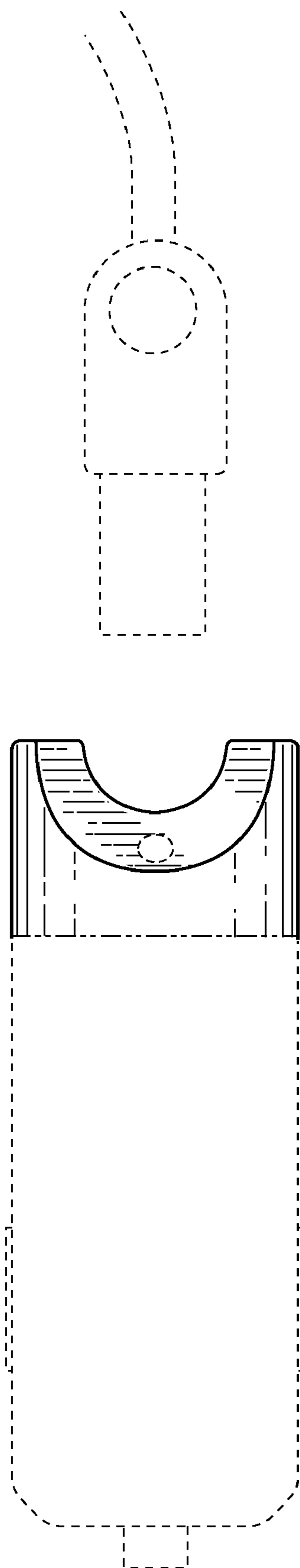


FIG. 10

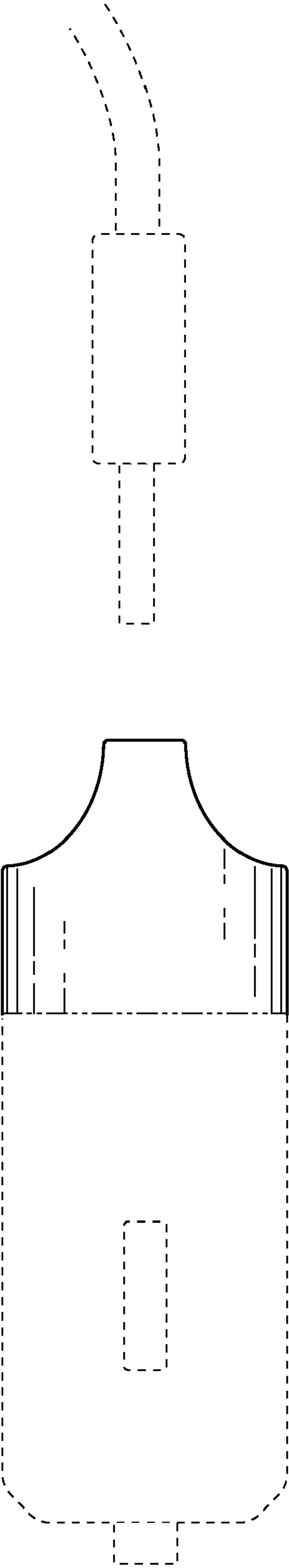


FIG. 11

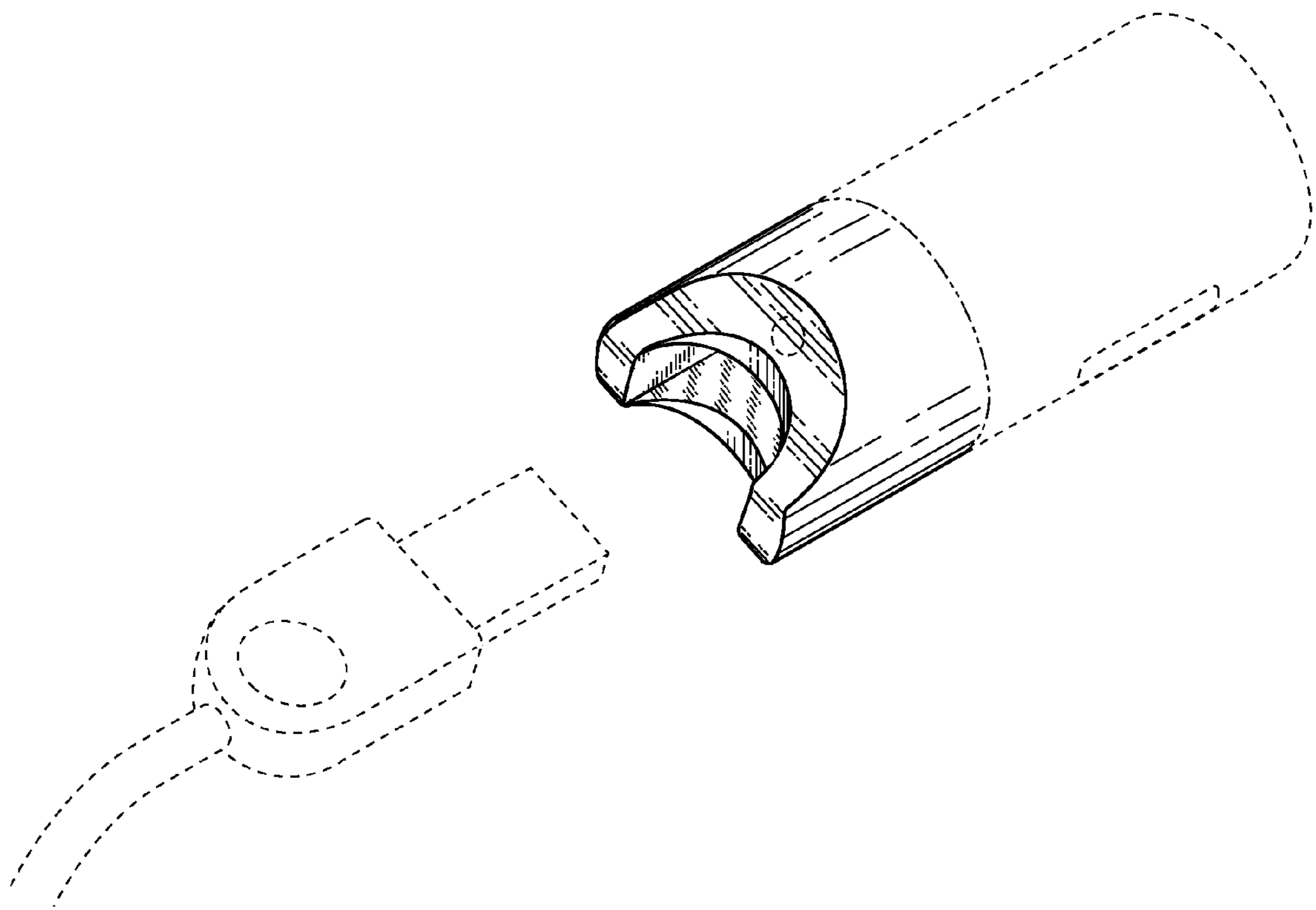


FIG. 12

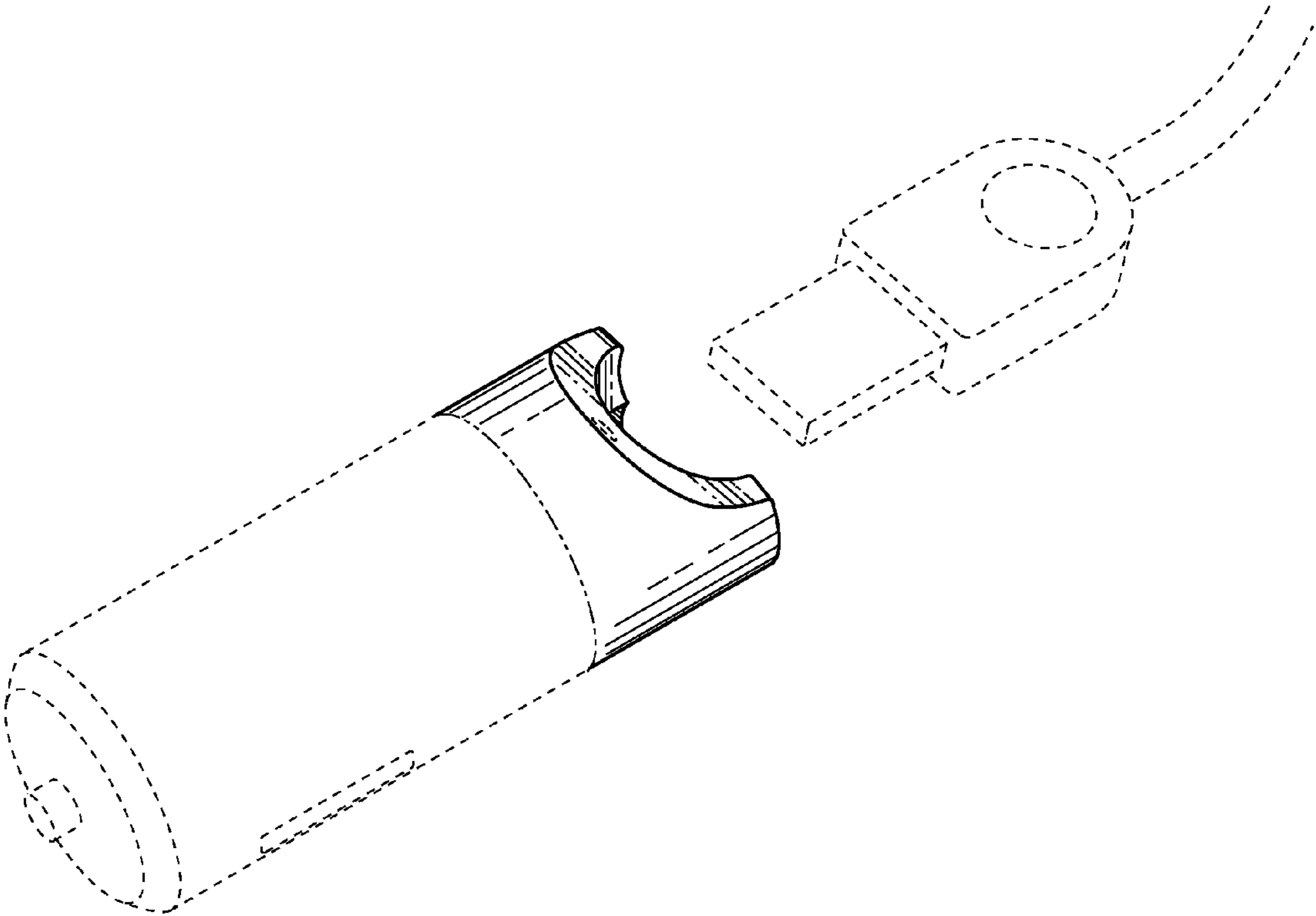


FIG. 13

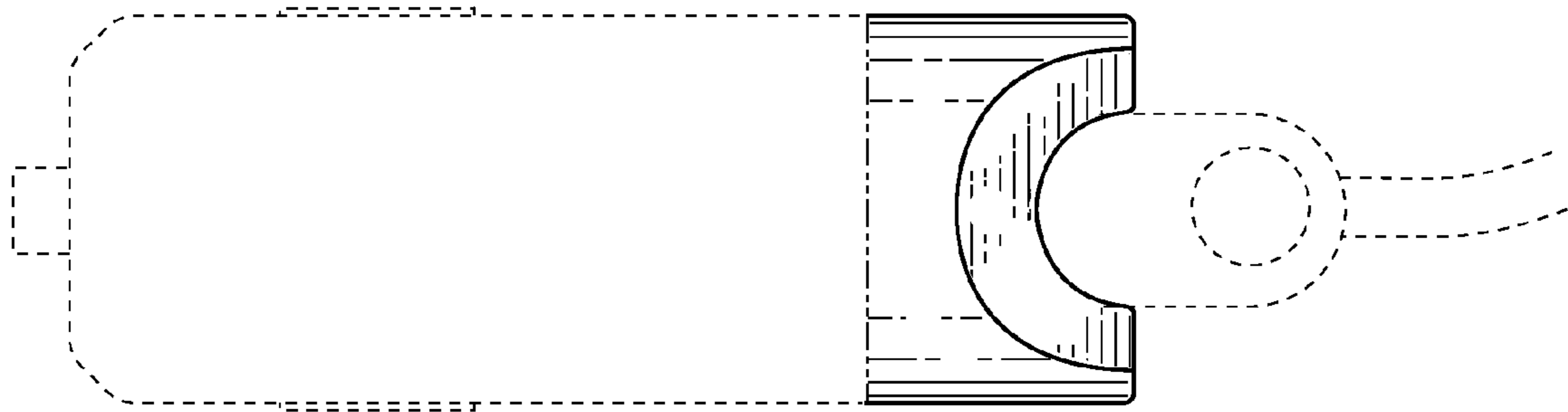


FIG. 14

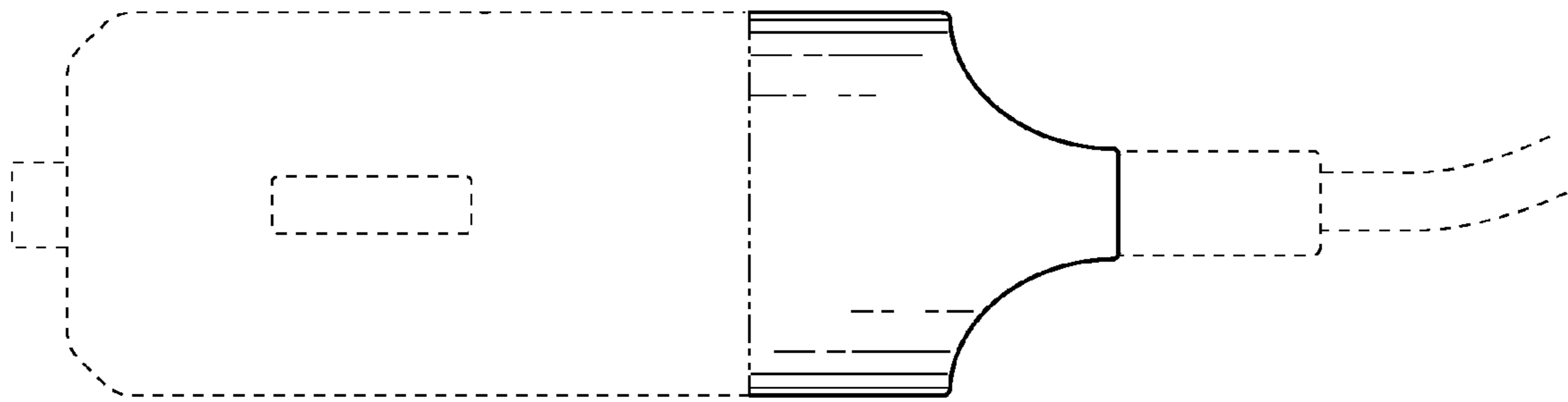


FIG. 15

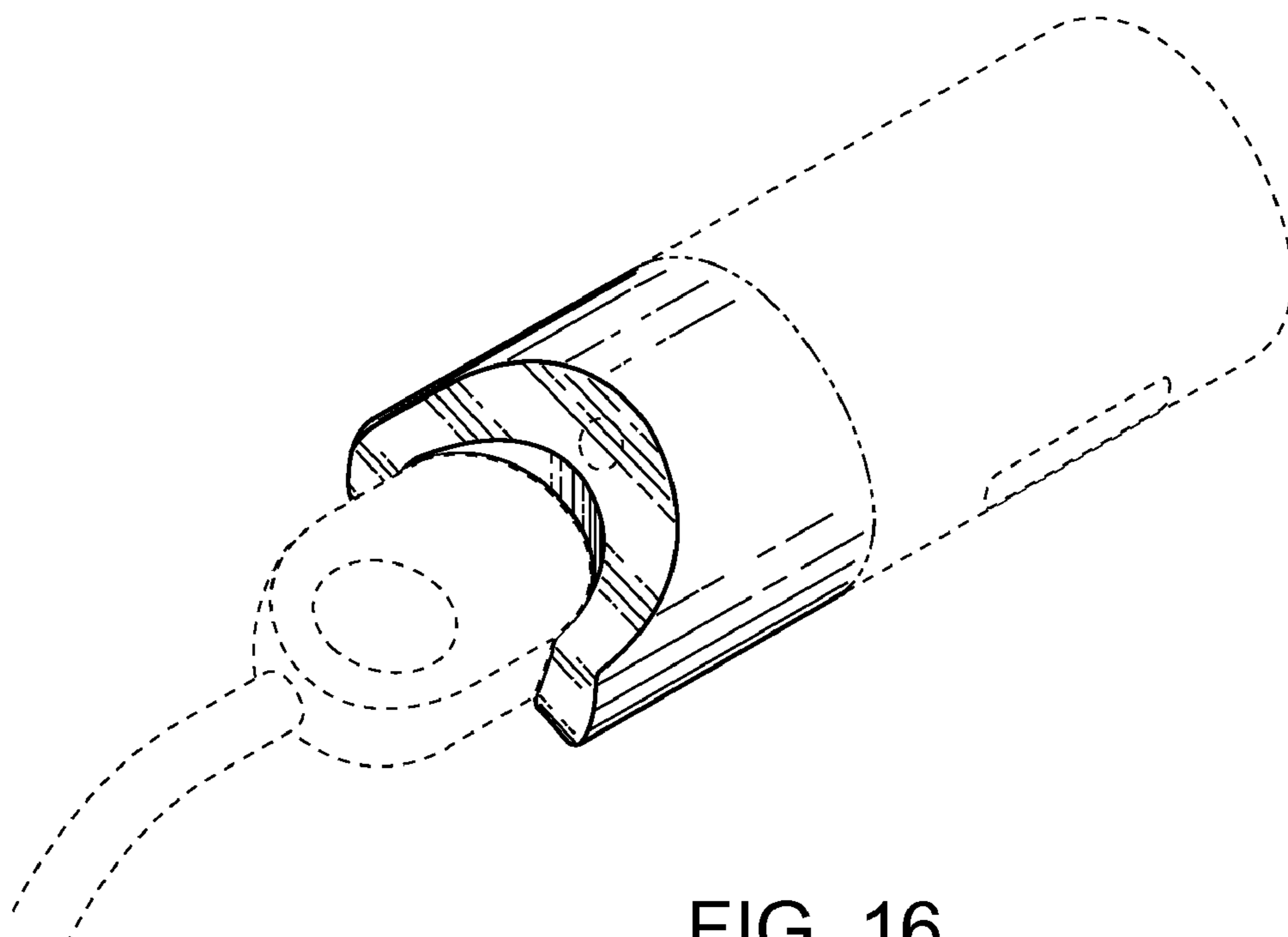


FIG. 16

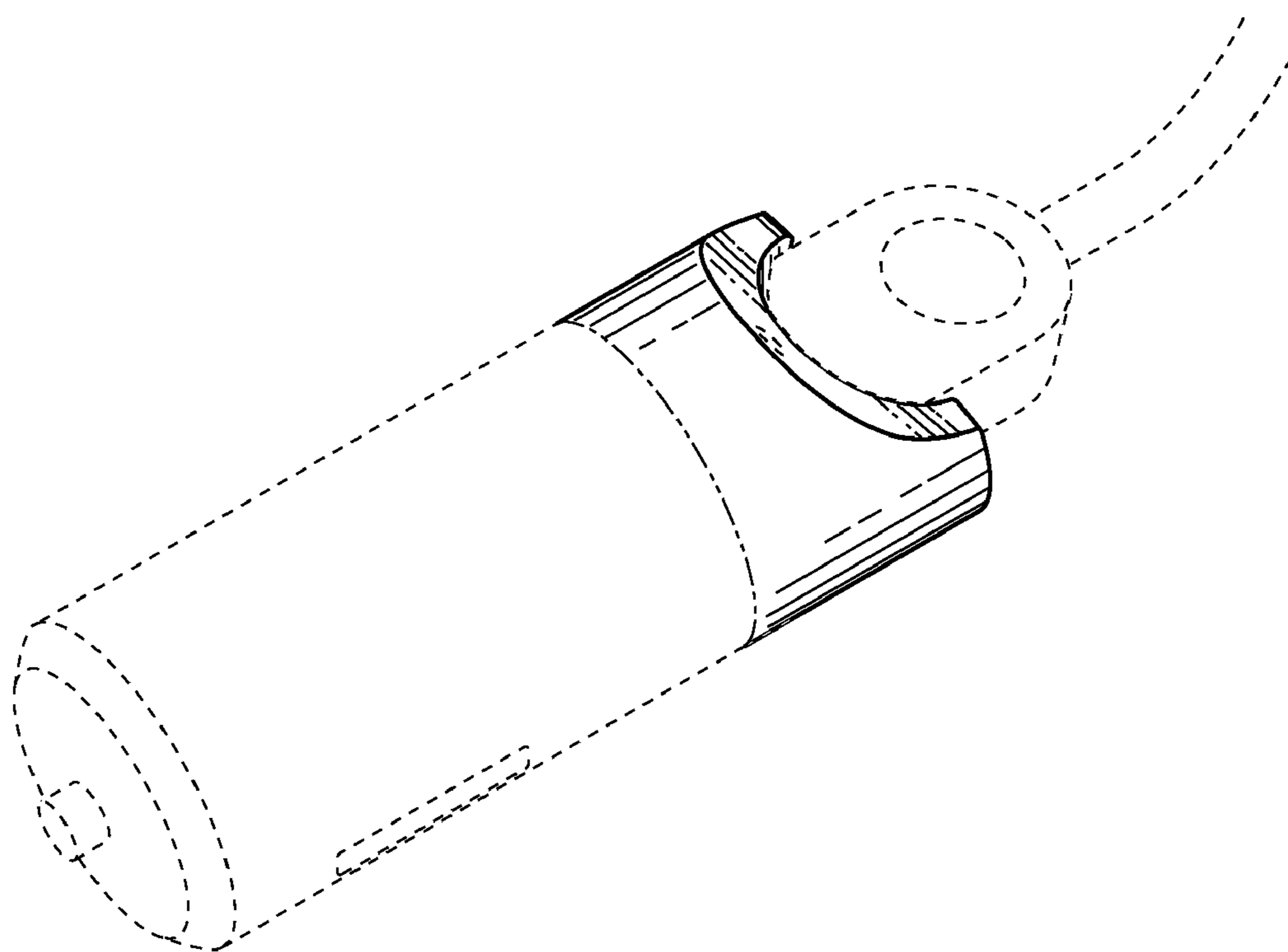


FIG. 17