



US00D614141S

(12) **United States Design Patent**  
**Takemoto**

(10) **Patent No.:** **US D614,141 S**  
(45) **Date of Patent:** **\*\* Apr. 20, 2010**

(54) **ELECTRICAL CONNECTOR**

JP D1337664 S 8/2008

(75) Inventor: **Masatoshi Takemoto**, Kanagawa (JP)

\* cited by examiner

(73) Assignee: **I-PEX Co., Ltd.** (JP)

*Primary Examiner*—Daniel D Bui

(\*\*) Term: **14 Years**

(74) *Attorney, Agent, or Firm*—Studebaker & Brackett PC;  
Donald R. Studebaker

(21) Appl. No.: **29/343,059**

(57) **CLAIM**

(22) Filed: **Sep. 4, 2009**

The ornamental design for an electrical connector, as shown and described.

(30) **Foreign Application Priority Data**

Jun. 18, 2009 (JP) ..... 2009-013828

**DESCRIPTION**

(51) **LOC (9) Cl.** ..... **13-03**

FIG. 1 is a top plan view of an electrical connector, showing my new design;

(52) **U.S. Cl.** ..... **D13/147**

FIG. 2 is a front elevation view thereof;

(58) **Field of Classification Search** ..... D13/133,

FIG. 3 is a bottom plan view thereof;

D13/146–147, 154, 184; 439/64, 79, 108,  
439/159–160, 260, 325–326, 329, 357, 394–395,  
439/422, 492, 499, 607–610, 629–630, 660,  
439/946

FIG. 4 is a rear elevation view thereof;

See application file for complete search history.

FIG. 5 is a right side view thereof, the left side view thereof is a mirror image thereto;

(56) **References Cited**

FIG. 6 is a front, top and right side perspective view thereof;

**U.S. PATENT DOCUMENTS**

FIG. 7 is a front, bottom and left side perspective view thereof; and,

D500,741 S \* 1/2005 Fan ..... D13/147  
D508,023 S \* 8/2005 Obikane et al. .... D13/147  
D543,944 S \* 6/2007 Yamada et al. .... D13/147  
D584,693 S \* 1/2009 Hatano et al. .... D13/147  
D589,891 S \* 4/2009 Peng ..... D13/147

FIG. 8 is a front, top and right side perspective view thereof, in use condition.

**FOREIGN PATENT DOCUMENTS**

The broken line portion in the figure drawing views is included to show unclaimed environmental structure only and forms no part of the claimed design.

JP D1283855 S 10/2006

**1 Claim, 3 Drawing Sheets**

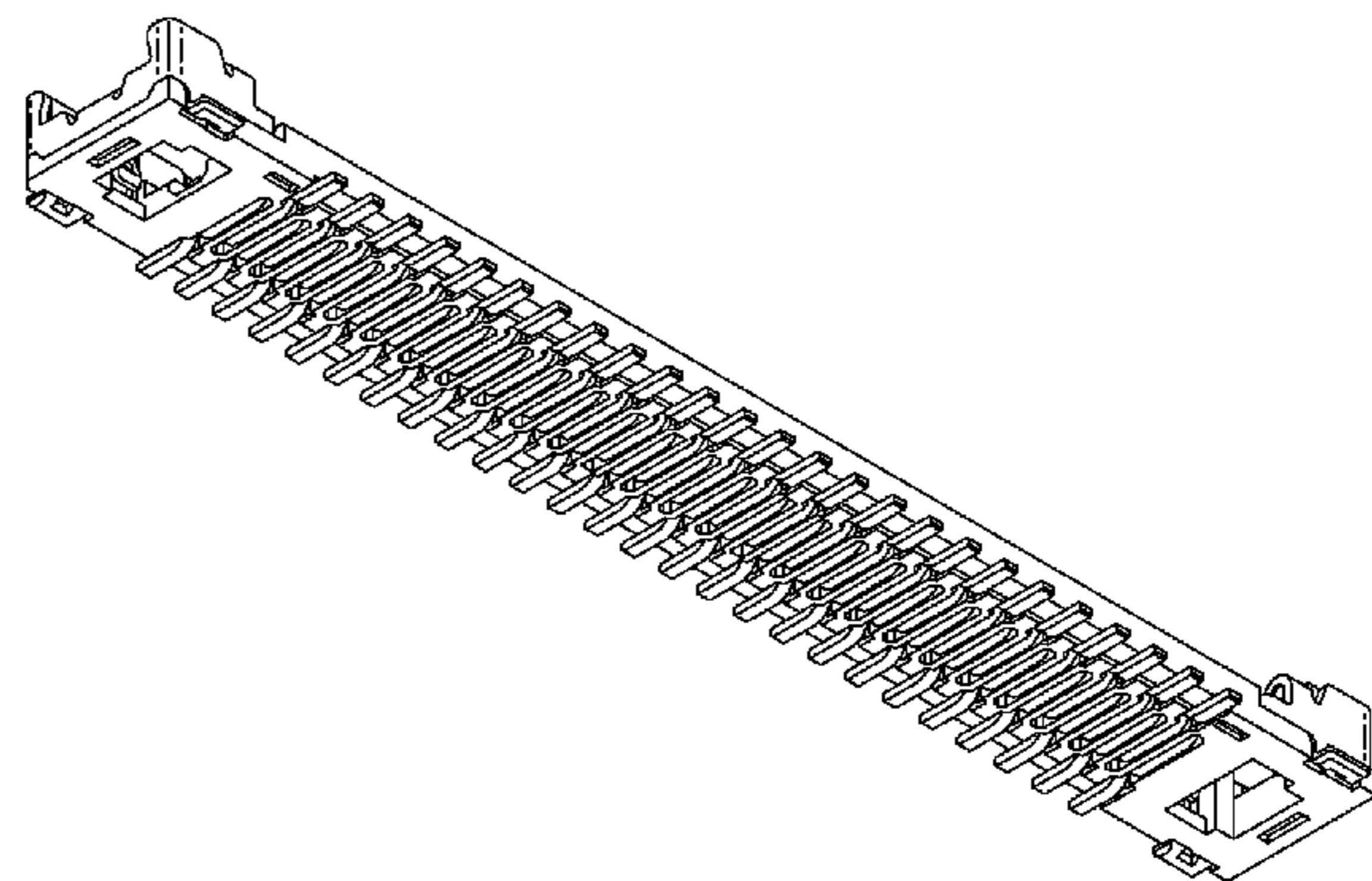
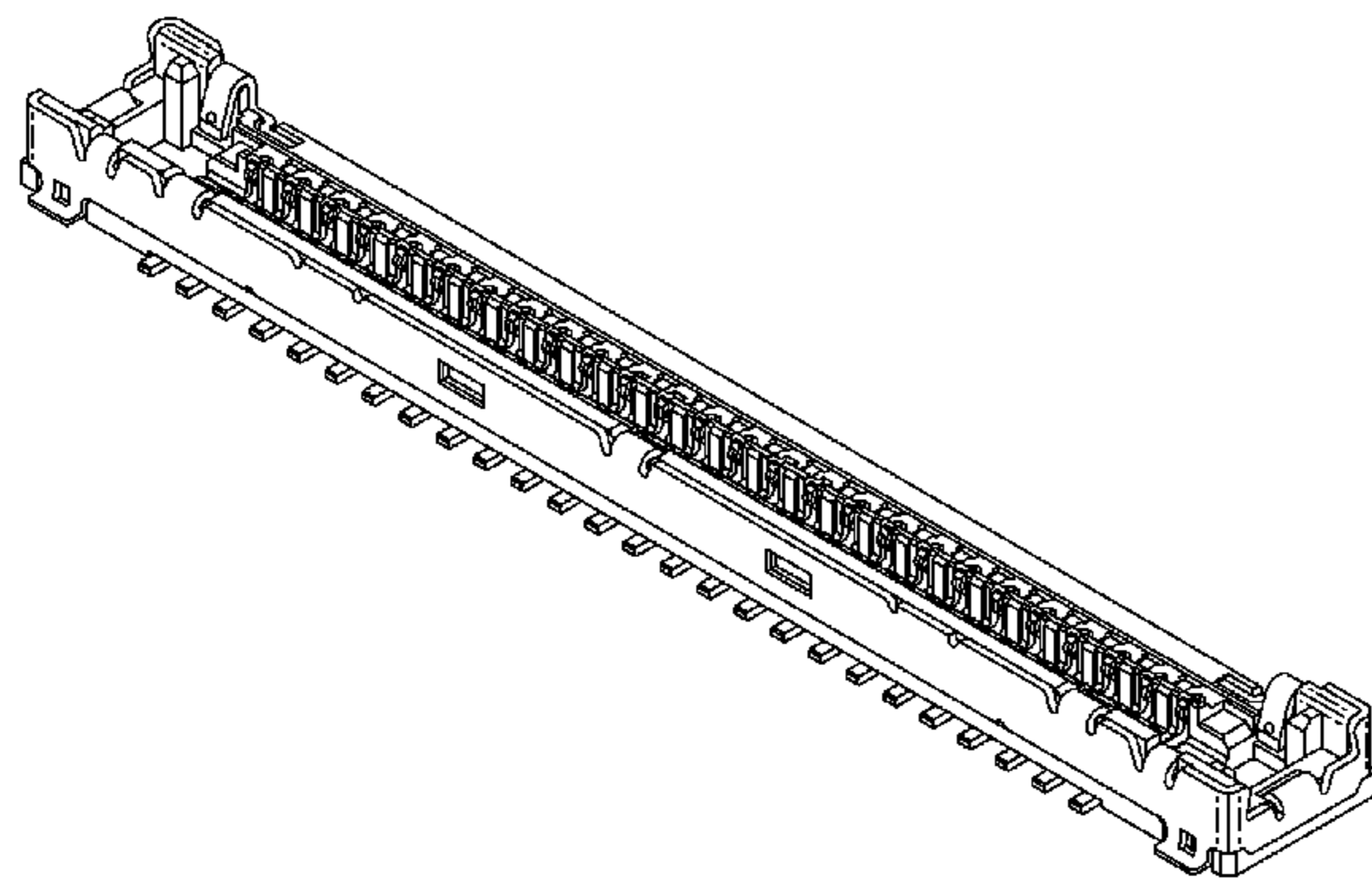


FIG. 1

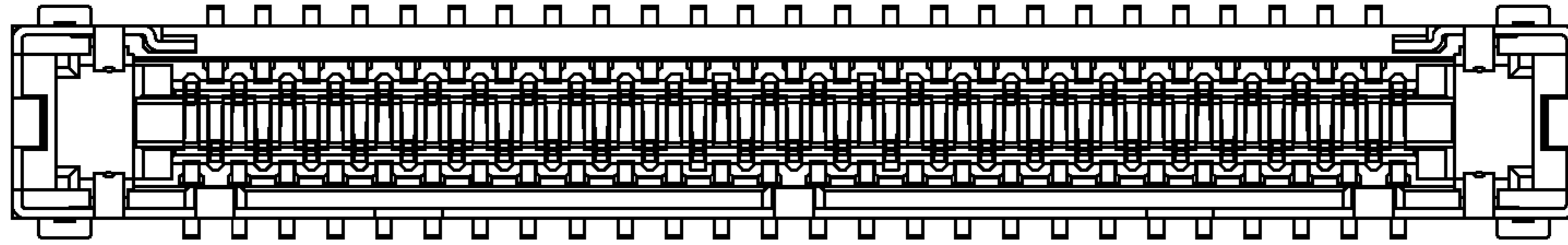


FIG. 2



FIG. 3

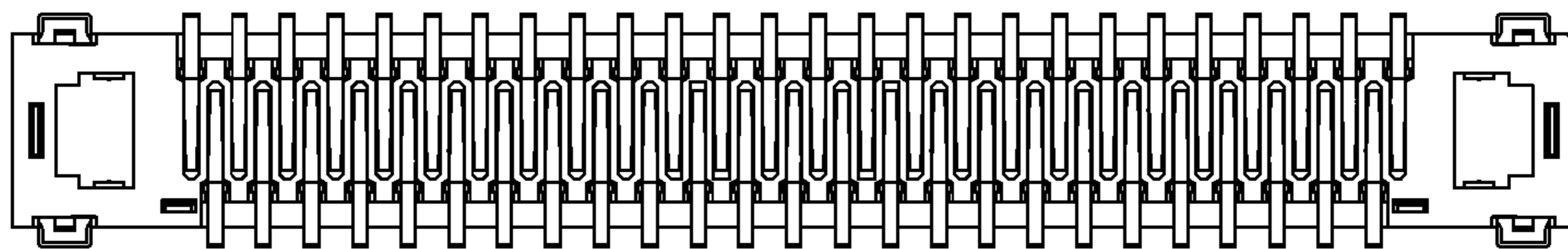


FIG. 4

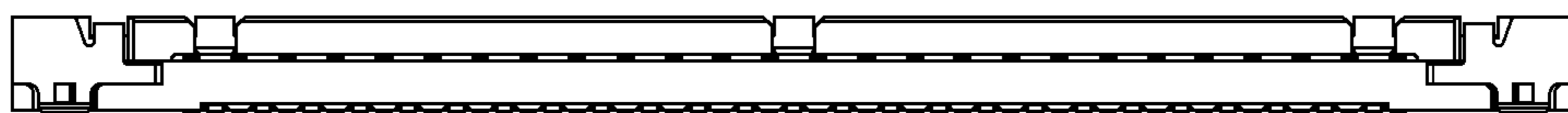


FIG. 5

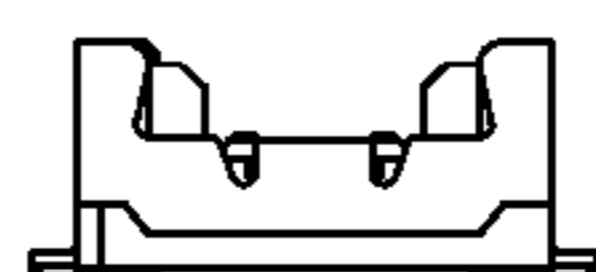


FIG. 6

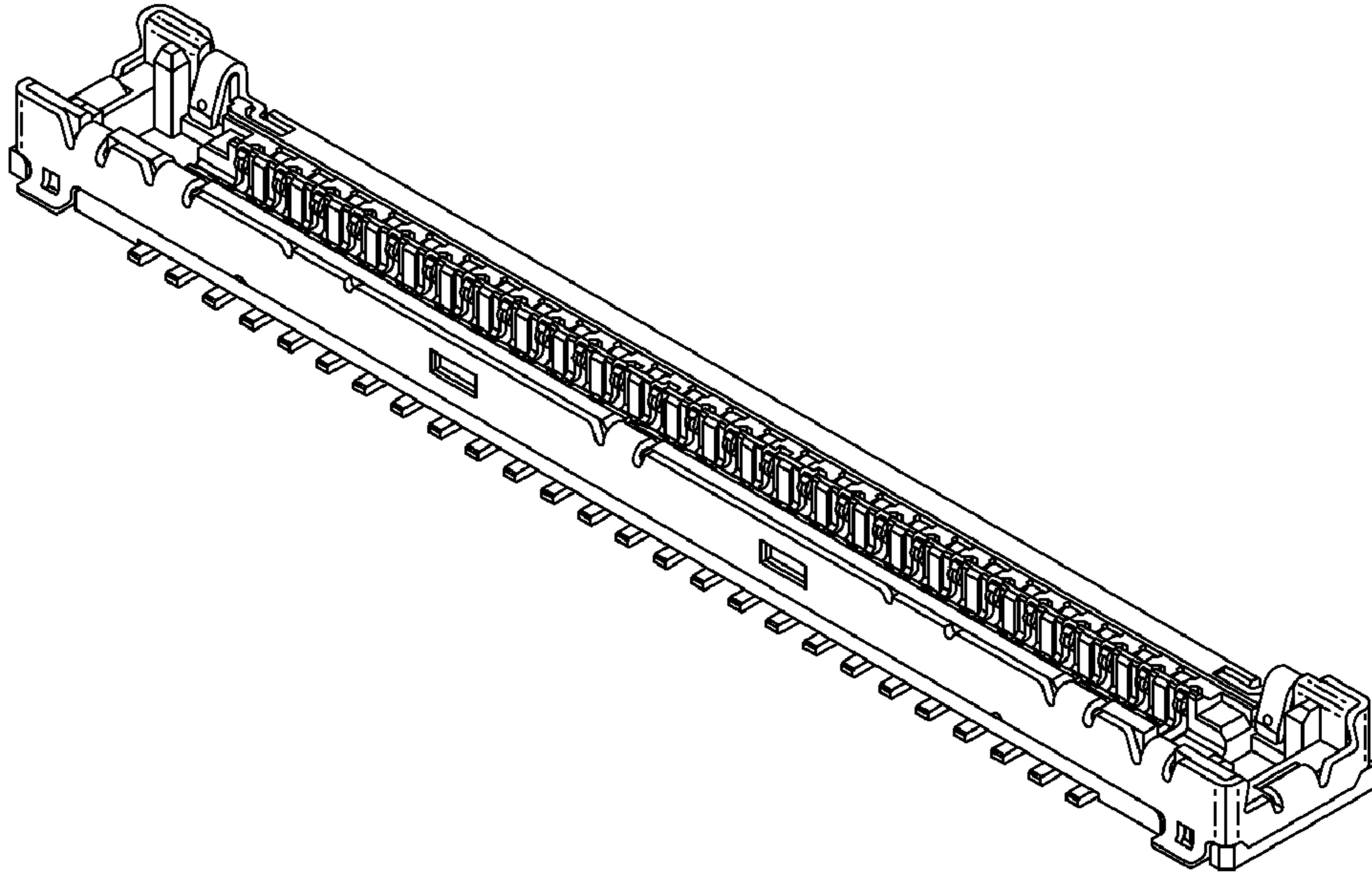


FIG. 7

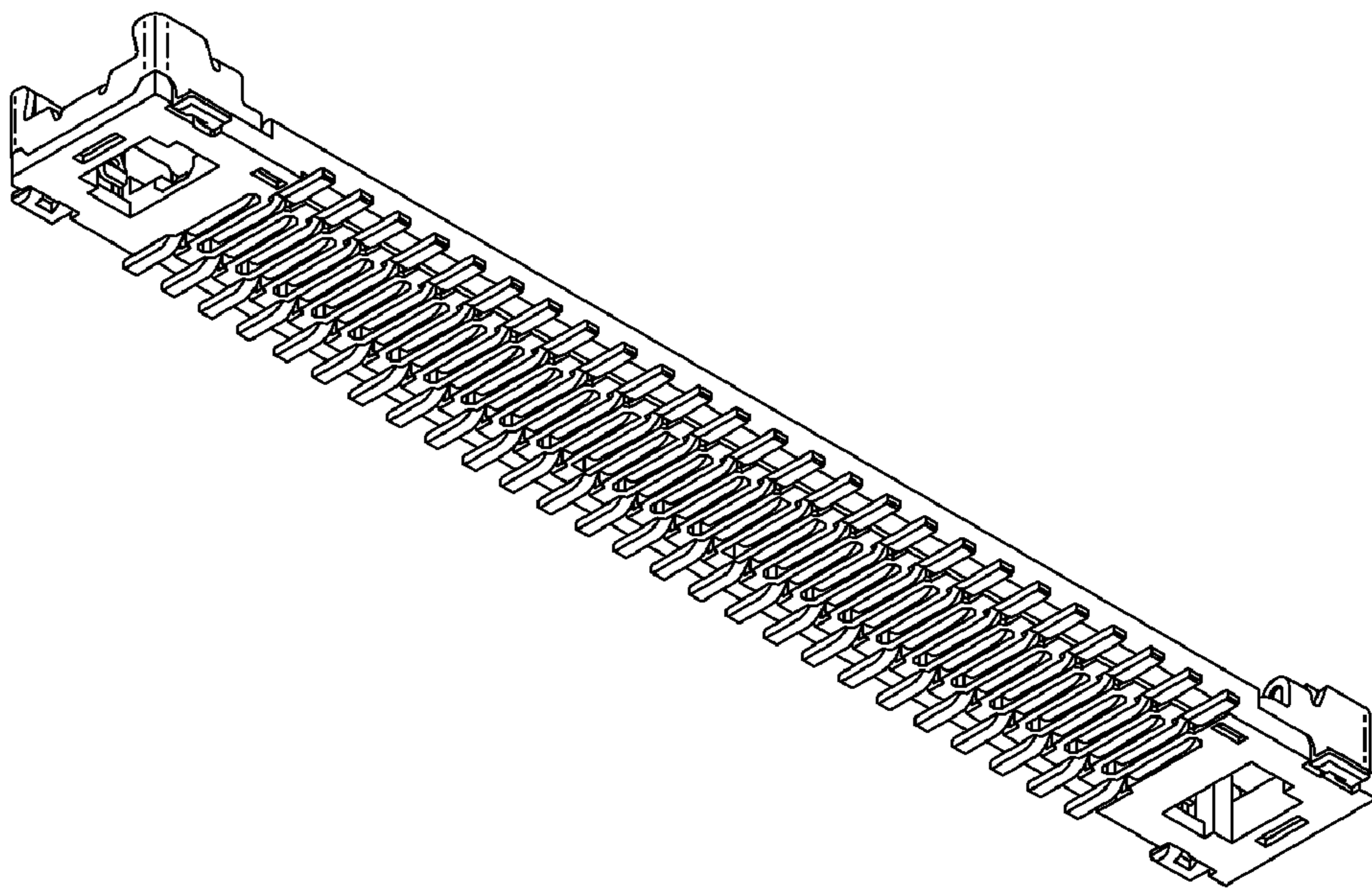


FIG. 8

