



US00D614140S

(12) **United States Design Patent**  
**Lee et al.**

(10) **Patent No.:** **US D614,140 S**  
(45) **Date of Patent:** **\*\* Apr. 20, 2010**

(54) **JOINT CONNECTOR**

(75) Inventors: **Chul-Sub Lee**, Daegu (KR); **Yong-Hun Lee**, Gyeongsangbuk (KR)

(73) Assignee: **Tyco Electronics AMP Korea Ltd.**, Kyungsangbuk-Do (KR)

(\*\*) Term: **14 Years**

(21) Appl. No.: **29/338,109**

(22) Filed: **Jun. 4, 2009**

(30) **Foreign Application Priority Data**

Dec. 5, 2008 (KR) ..... 30-2008-0052636

(51) **LOC (9) Cl.** ..... **13-03**

(52) **U.S. Cl.** ..... **D13/147**

(58) **Field of Classification Search** ..... D13/133,  
D13/146-147, 153, 154, 184; 439/350, 352,  
439/354, 468, 489, 495, 607-610, 660, 680,  
439/752, 733.1

See application file for complete search history.

(56) **References Cited**

**U.S. PATENT DOCUMENTS**

D335,649 S \* 5/1993 Ogawa ..... D13/147  
6,281,444 B1 \* 8/2001 Yamanashi ..... 174/138 F  
D463,370 S \* 9/2002 Chen ..... D13/147

D523,399 S \* 6/2006 Sakamaki et al. .... D13/147  
2004/0171294 A1 \* 9/2004 Aihara et al. .... 439/374

\* cited by examiner

*Primary Examiner*—Daniel D Bui  
(74) *Attorney, Agent, or Firm*—Barley Snyder LLC

(57) **CLAIM**

The joint connector, as shown and described.

**DESCRIPTION**

FIG. 1 is a top, front, right side perspective view of a joint connector, showing our new design;

FIG. 2 is a front elevation view thereof;

FIG. 3 is a rear elevation view thereof;

FIG. 4 is a left side elevation view thereof;

FIG. 5 is a right side elevation view thereof;

FIG. 6 is a top plan view thereof;

FIG. 7 is a bottom plan view thereof; and,

FIG. 8 is a top, front and right side perspective view thereof, in use and exploded condition.

The broken line portion of the figure drawings is included to show unclaimed subject matter only and forms no part of the claimed design.

**1 Claim, 5 Drawing Sheets**

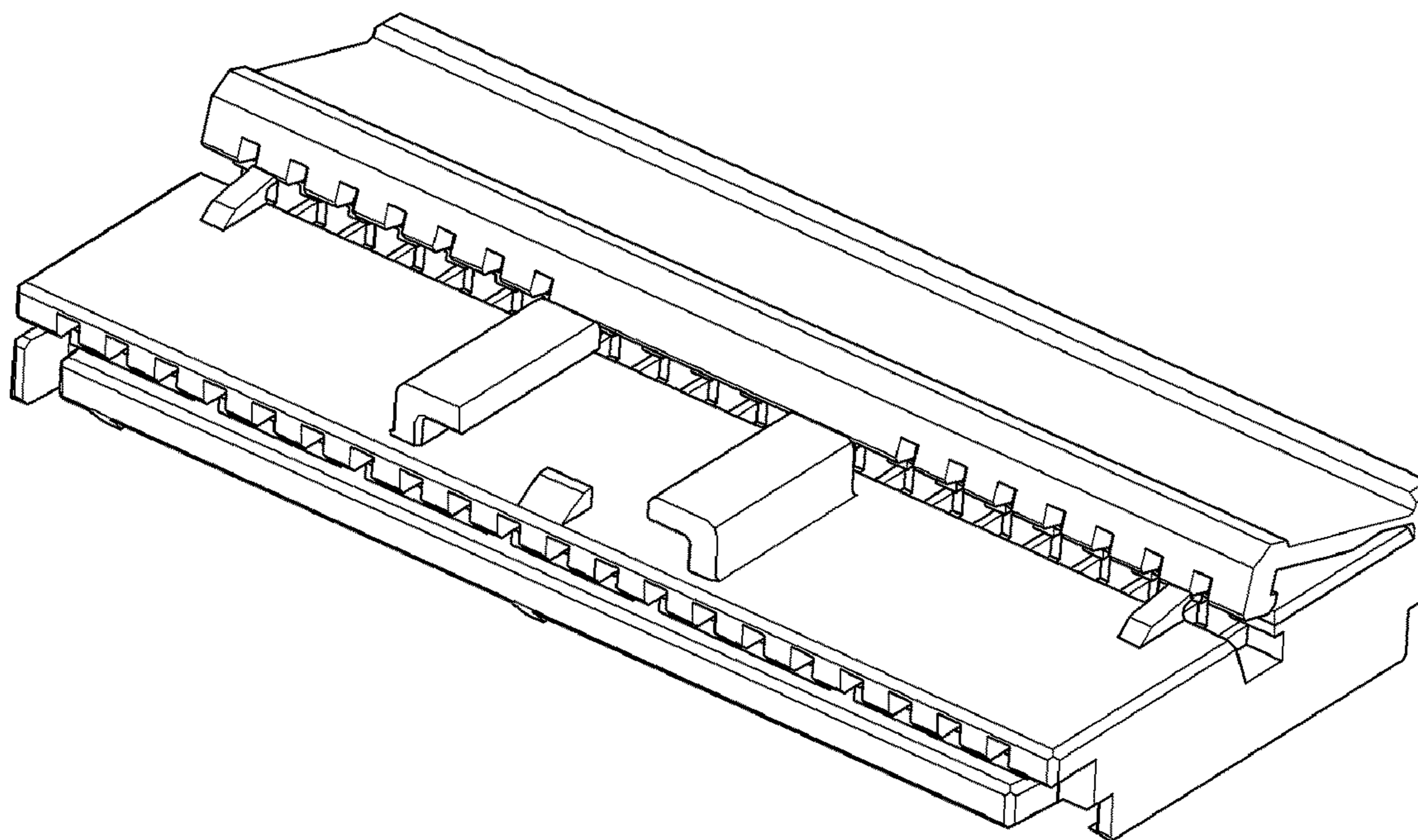


FIG. 1

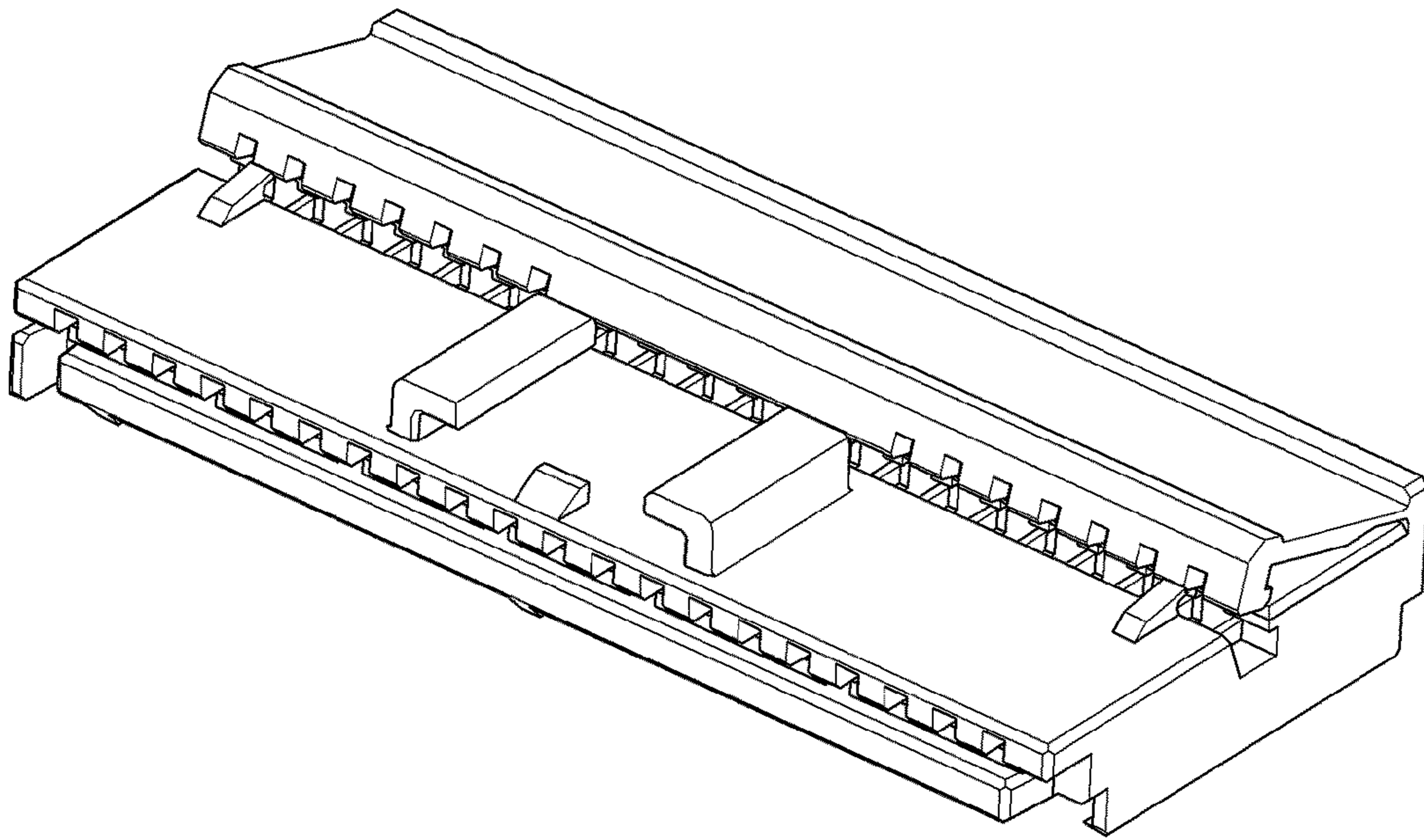


FIG.2

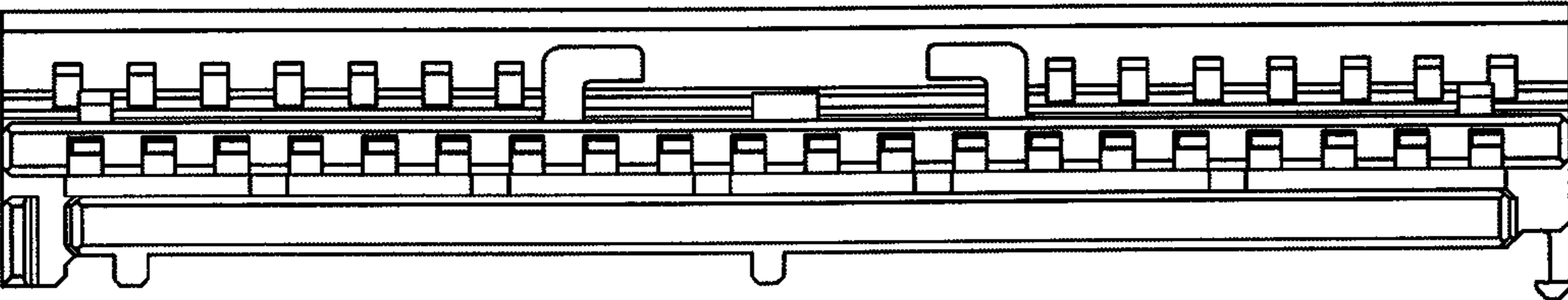


FIG.3

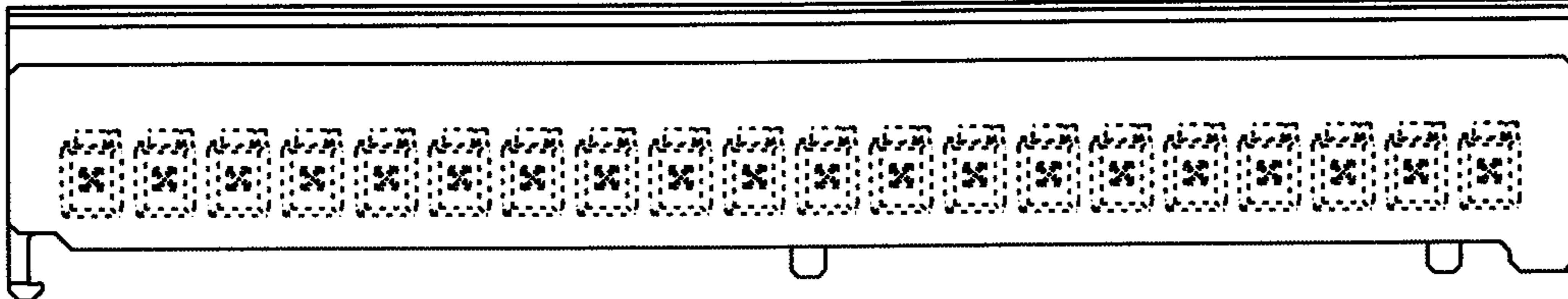


FIG.4

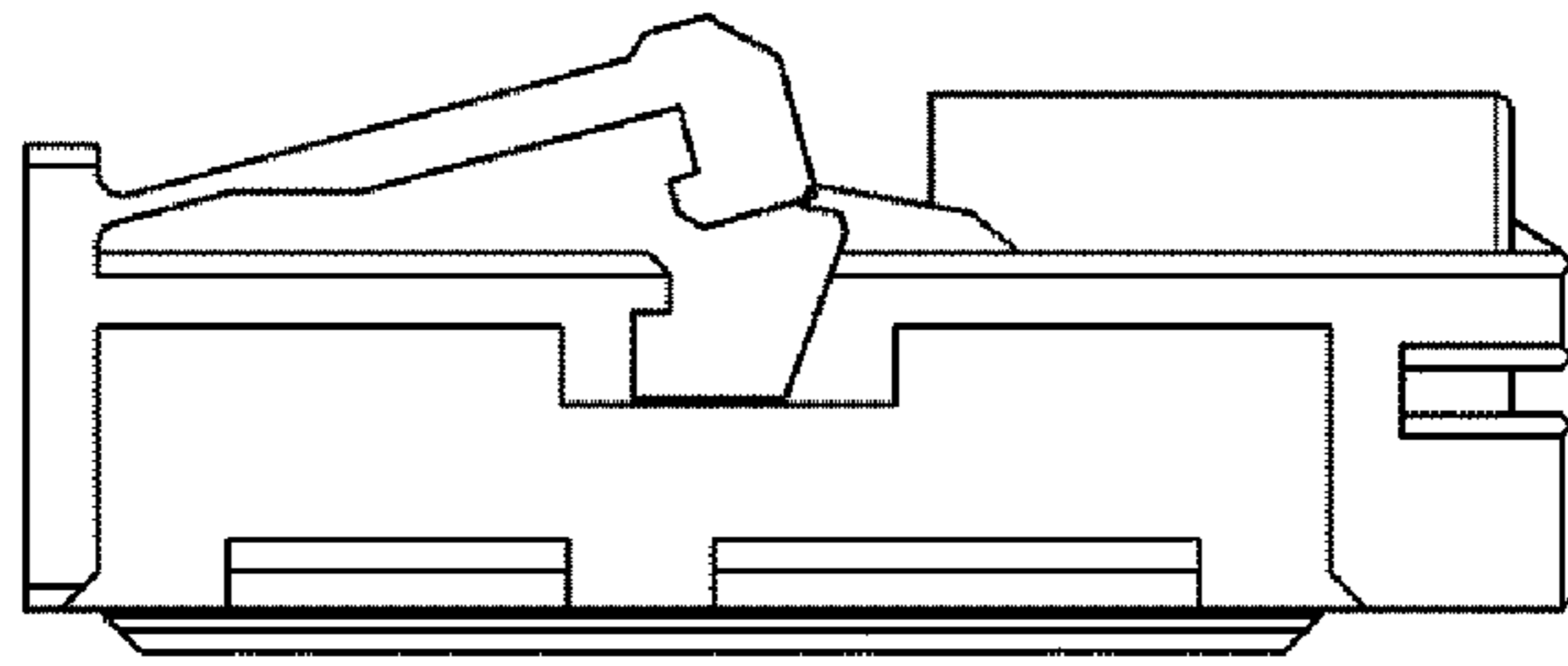


FIG.5

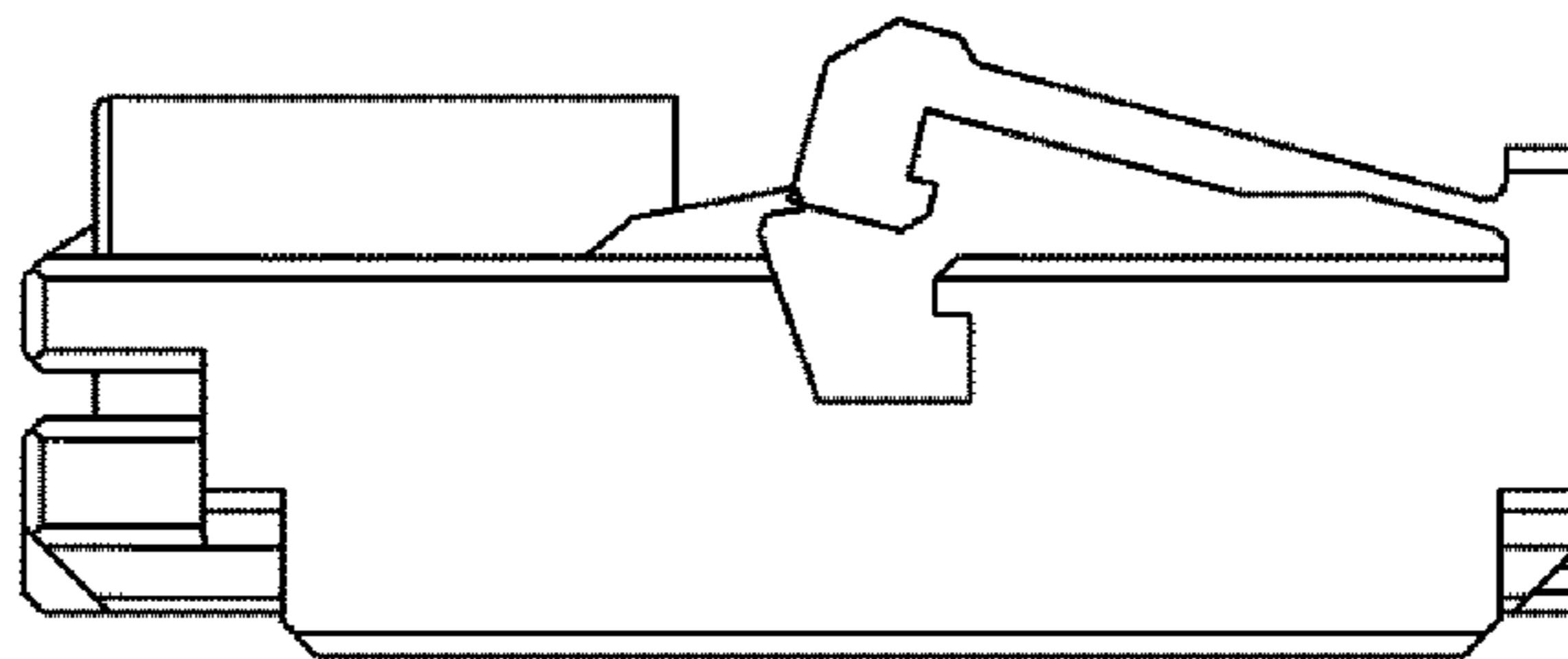


FIG.6

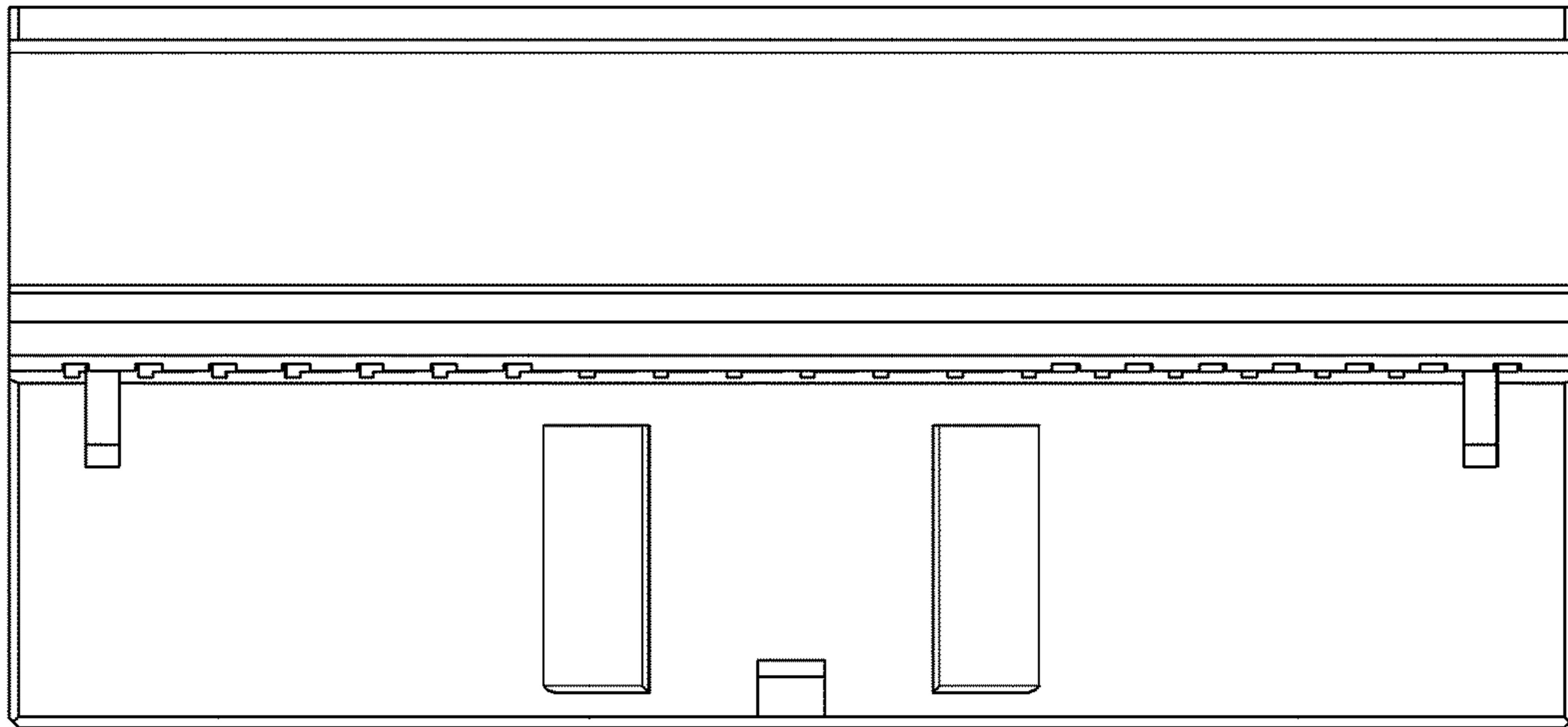


FIG.7

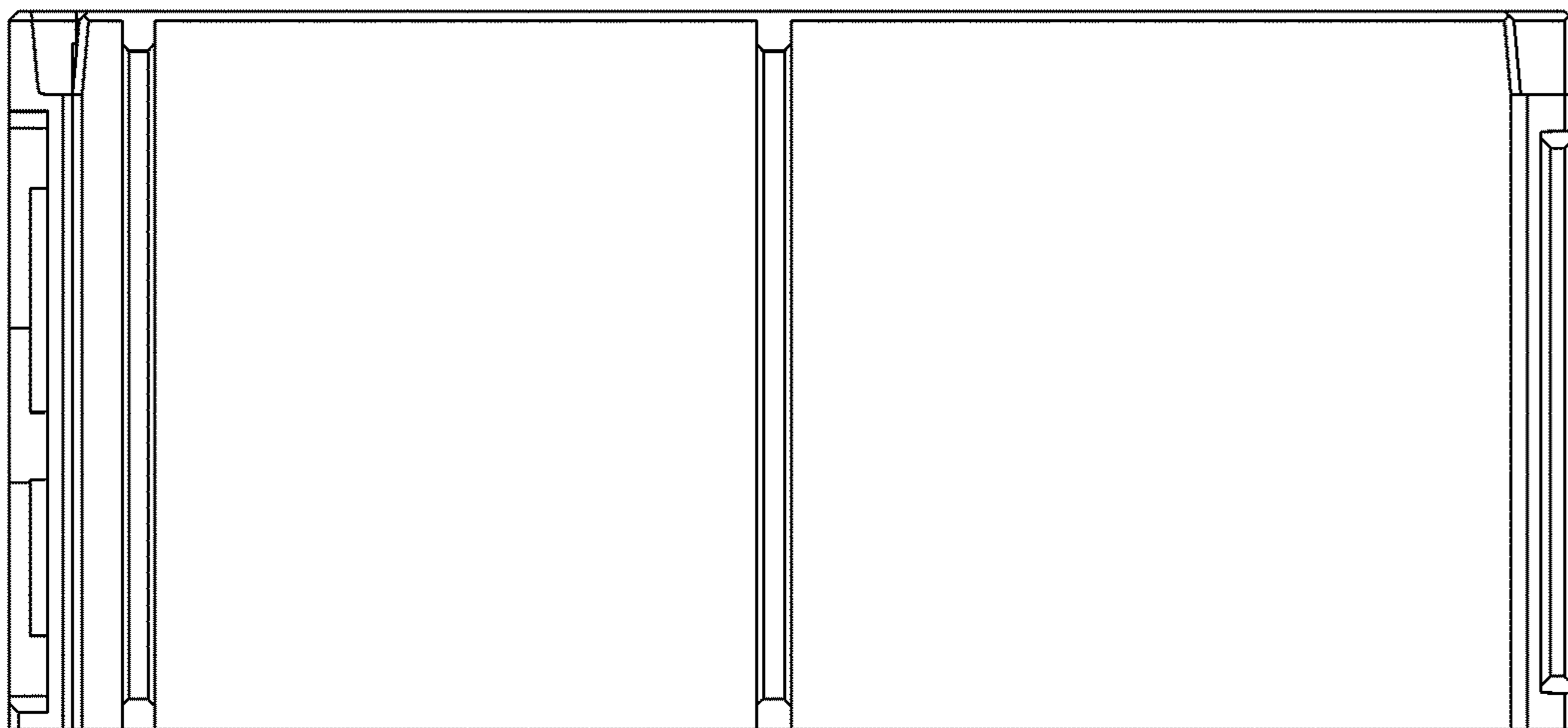




FIG. 8

