



US00D614139S

(12) **United States Design Patent**
Nakajima et al.

(10) **Patent No.:** **US D614,139 S**

(45) **Date of Patent:** **** Apr. 20, 2010**

(54) **ELECTRICAL CONNECTOR**

Primary Examiner—Daniel D Bui

(74) *Attorney, Agent, or Firm*—Collard & Roe, P.C.

(75) Inventors: **Takamitsu Nakajima**, Tokyo (JP);
Hideyuki Nishioka, Irvine, CA (US)

(57) **CLAIM**

(73) Assignee: **Japan Aviation Electronics Industry, Limited**, Tokyo (JP)

The ornamental design for an electrical connector, as shown and described.

(**) Term: **14 Years**

(21) Appl. No.: **29/316,328**

DESCRIPTION

(22) Filed: **Sep. 14, 2009**

(51) **LOC (9) Cl.** **13-03**

(52) **U.S. Cl.** **D13/147**

(58) **Field of Classification Search** D13/133,
D13/146–147, 153, 154, 184; 439/79, 108,
439/260, 325, 328, 607–610, 660, 668, 680,
439/682

See application file for complete search history.

FIG. 1 is a front elevational view of an electrical connector showing our new design;

FIG. 2 is a back elevational view thereof;

FIG. 3 is a right side elevational view thereof, with the left side view being a mirror image thereof;

FIG. 4 is a top plan view thereof;

FIG. 5 is a bottom plan view thereof;

FIG. 6 is a front, right side and top perspective view thereof; and,

FIG. 7 is a back, bottom and right side perspective view thereof.

The broken line portion of the figure drawings is included to show unclaimed subject matter only and forms no part of the claimed design.

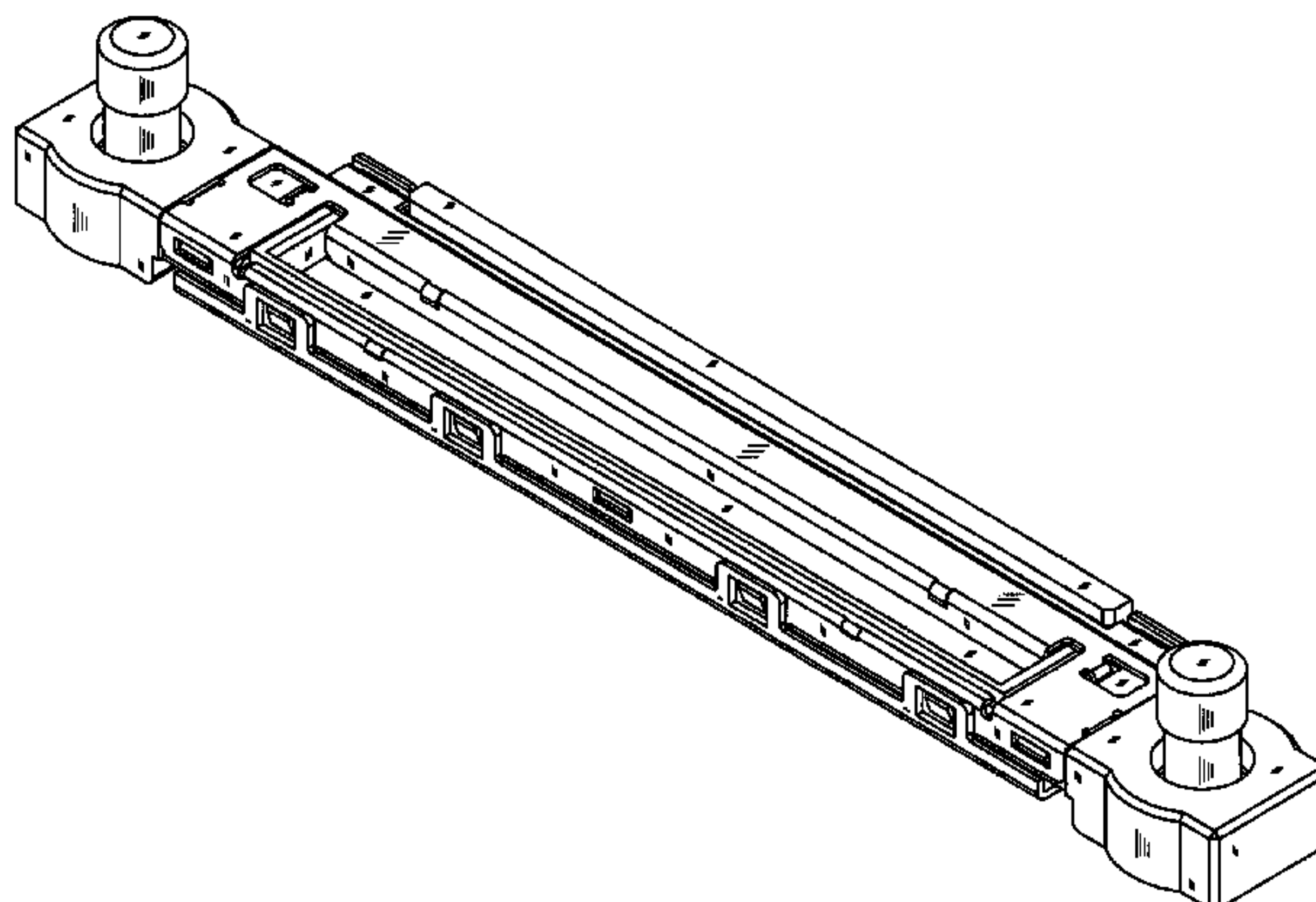
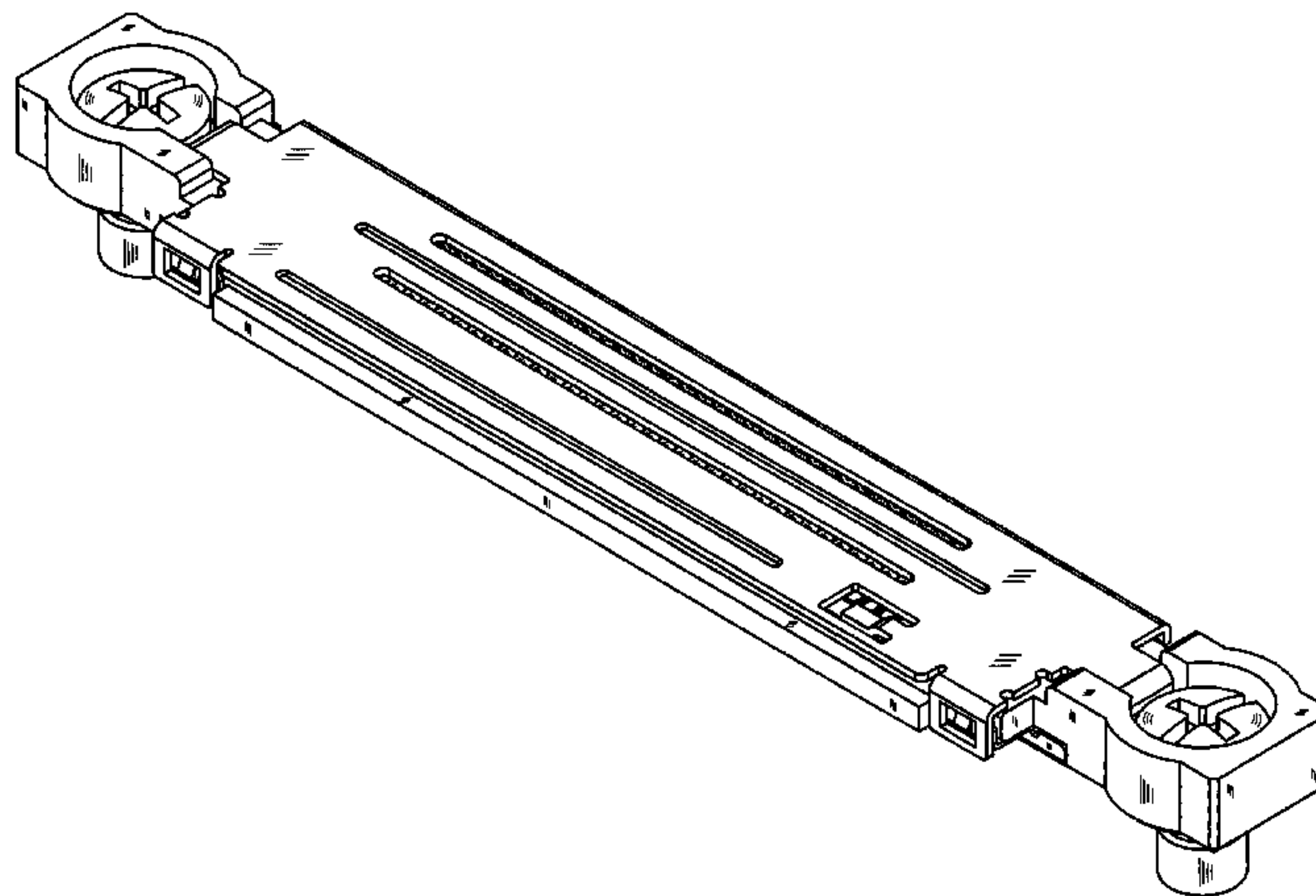
(56) **References Cited**

U.S. PATENT DOCUMENTS

D455,400 S *	4/2002	Hisatomi et al.	D13/147
D540,264 S *	4/2007	Zhang	D13/147
D598,388 S *	8/2009	Peng	D13/147
D605,129 S *	12/2009	Miyazaki	D13/147
2009/0227146 A1 *	9/2009	Kimura et al.	439/637

* cited by examiner

1 Claim, 7 Drawing Sheets



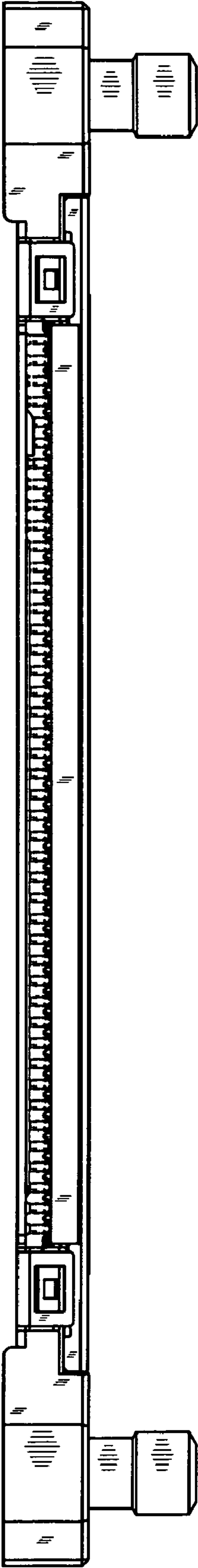


FIG.1

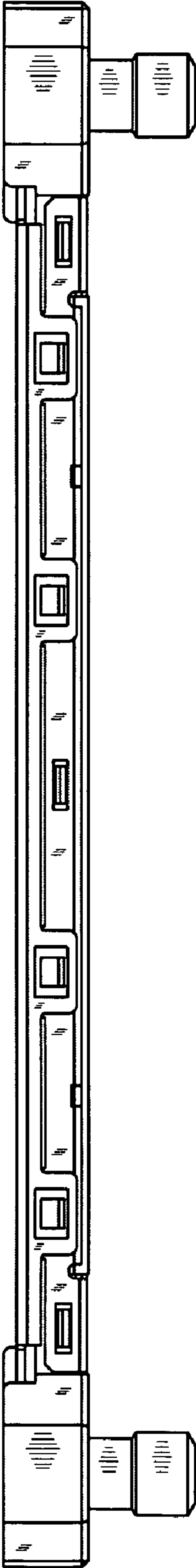


FIG.2

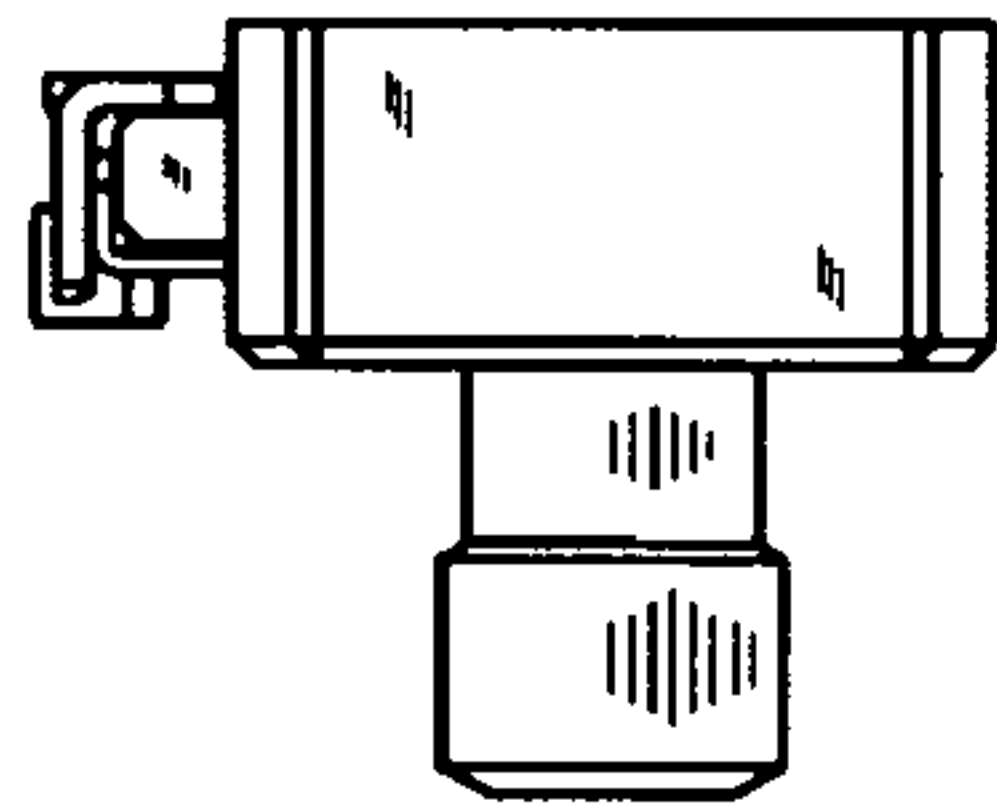


FIG.3

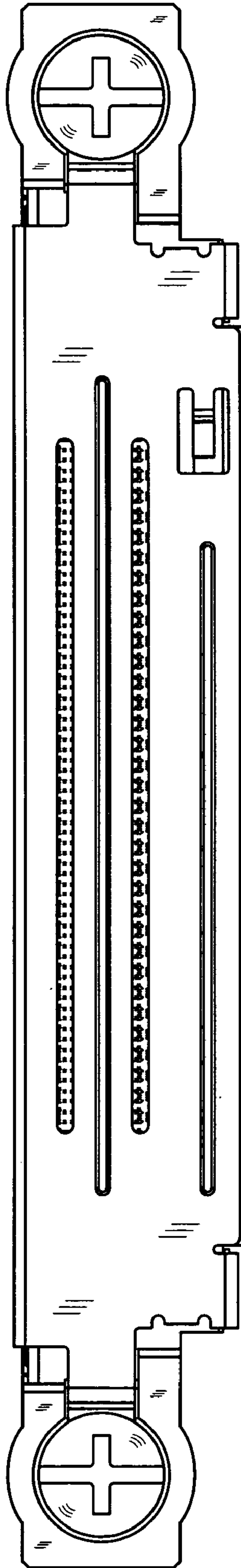


FIG.4

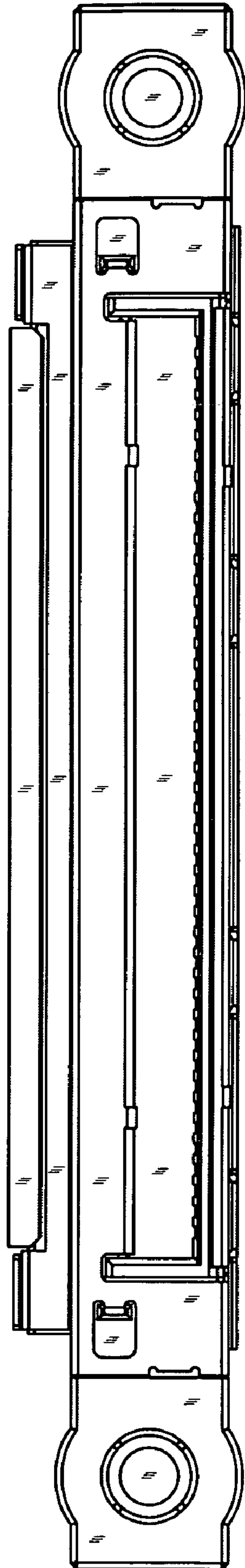


FIG.5

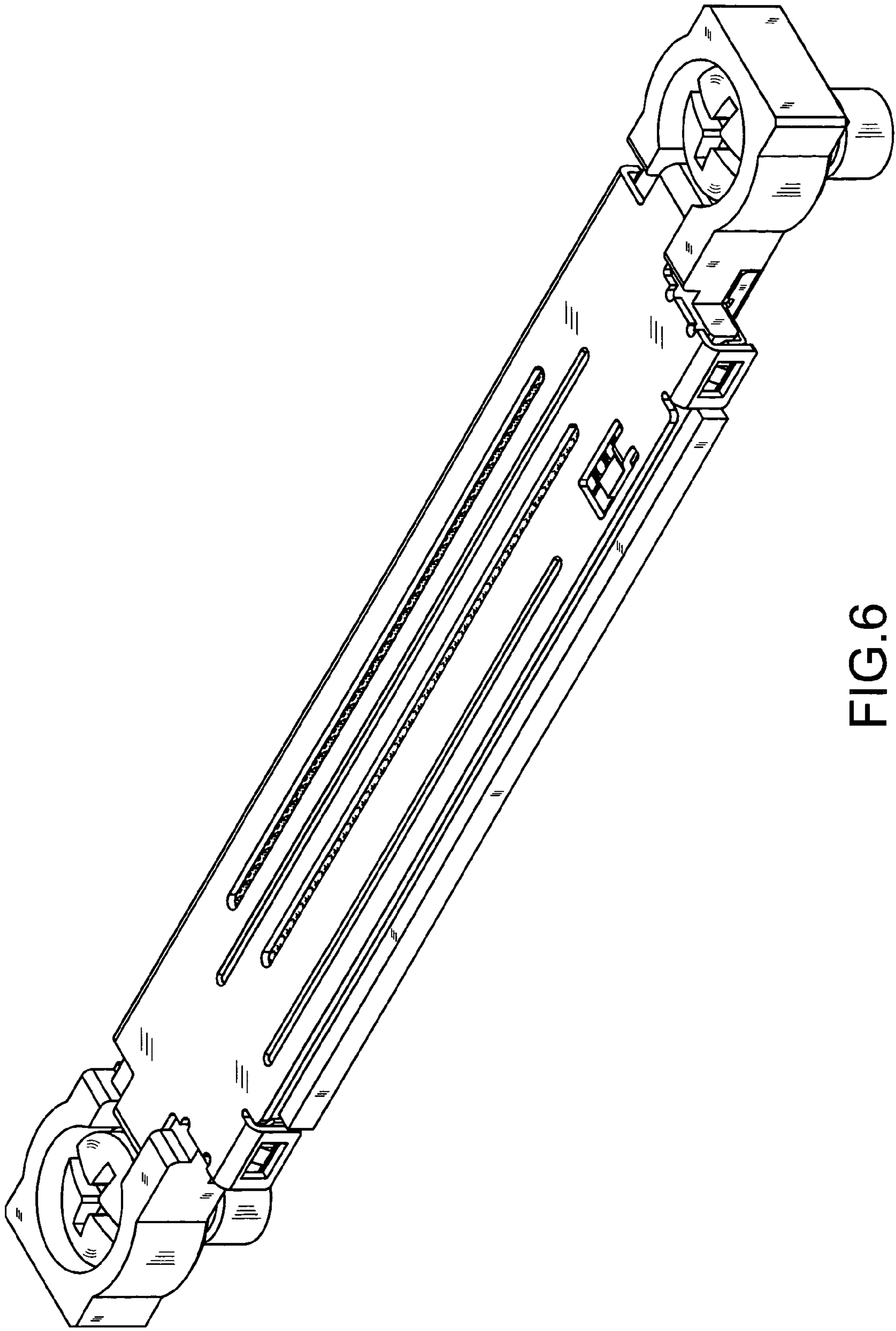


FIG.6

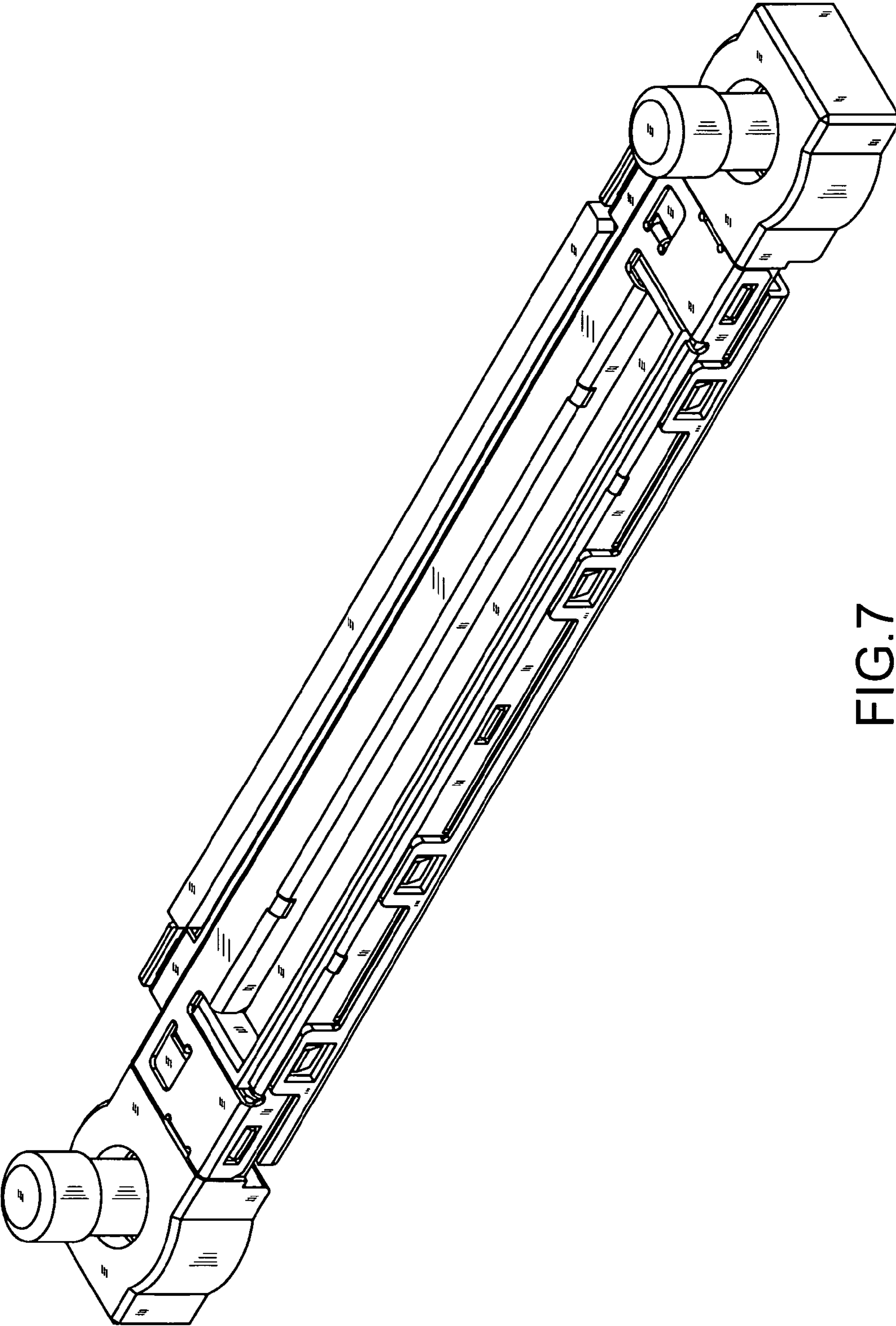


FIG. 7