



US00D614138S

(12) **United States Design Patent**
Blixt

(10) **Patent No.:** **US D614,138 S**

(45) **Date of Patent:** **** Apr. 20, 2010**

(54) **CONTACT DEVICE**

(75) Inventor: **Pär Blixt**, Vaxholm (SE)

(73) Assignee: **Profoto AB**, Skarpnack (SE)

(**) Term: **14 Years**

(21) Appl. No.: **29/309,819**

(22) Filed: **Oct. 20, 2008**

(30) **Foreign Application Priority Data**

Apr. 23, 2008 (EM) 000922380-0001

(51) **LOC (9) Cl.** **13-03**

(52) **U.S. Cl.** **D13/147**

(58) **Field of Classification Search** D13/120,
D13/133, 146-147, 154, 184; 439/79, 108,
439/296, 299, 320, 607-610

See application file for complete search history.

(56) **References Cited**

U.S. PATENT DOCUMENTS

4,611,873 A * 9/1986 Punako et al. 439/277

D439,563 S * 3/2001 Shimojo D13/146
D449,581 S * 10/2001 Bosatelli D13/146
D478,870 S * 8/2003 Fang D13/147
6,808,401 B2 * 10/2004 Guzeldereli et al. 439/160

* cited by examiner

Primary Examiner—Daniel D Bui

(74) *Attorney, Agent, or Firm*—Nixon & Vanderhye P.C.

(57) **CLAIM**

The ornamental design for a contact device, as shown and described.

DESCRIPTION

FIG. 1 is a top plan view of a contact device showing my new design;

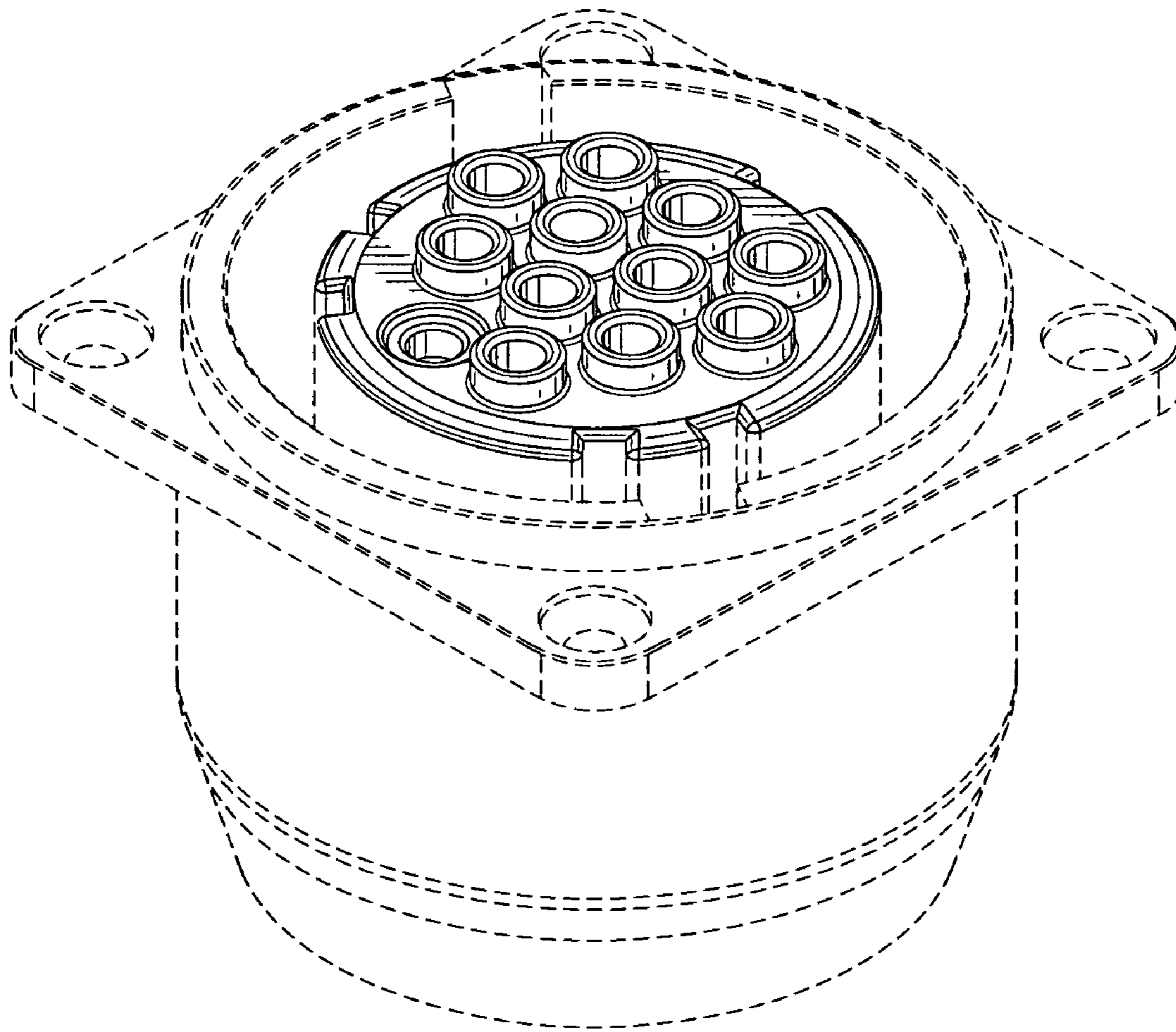
FIG. 2 is a side elevation view thereof;

FIG. 3 is a top perspective view thereof; and,

FIG. 4 is a another top perspective view thereof.

The broken line portion of the figure drawings is included to show unclaimed subject matter only and forms no part of the claimed design.

1 Claim, 2 Drawing Sheets



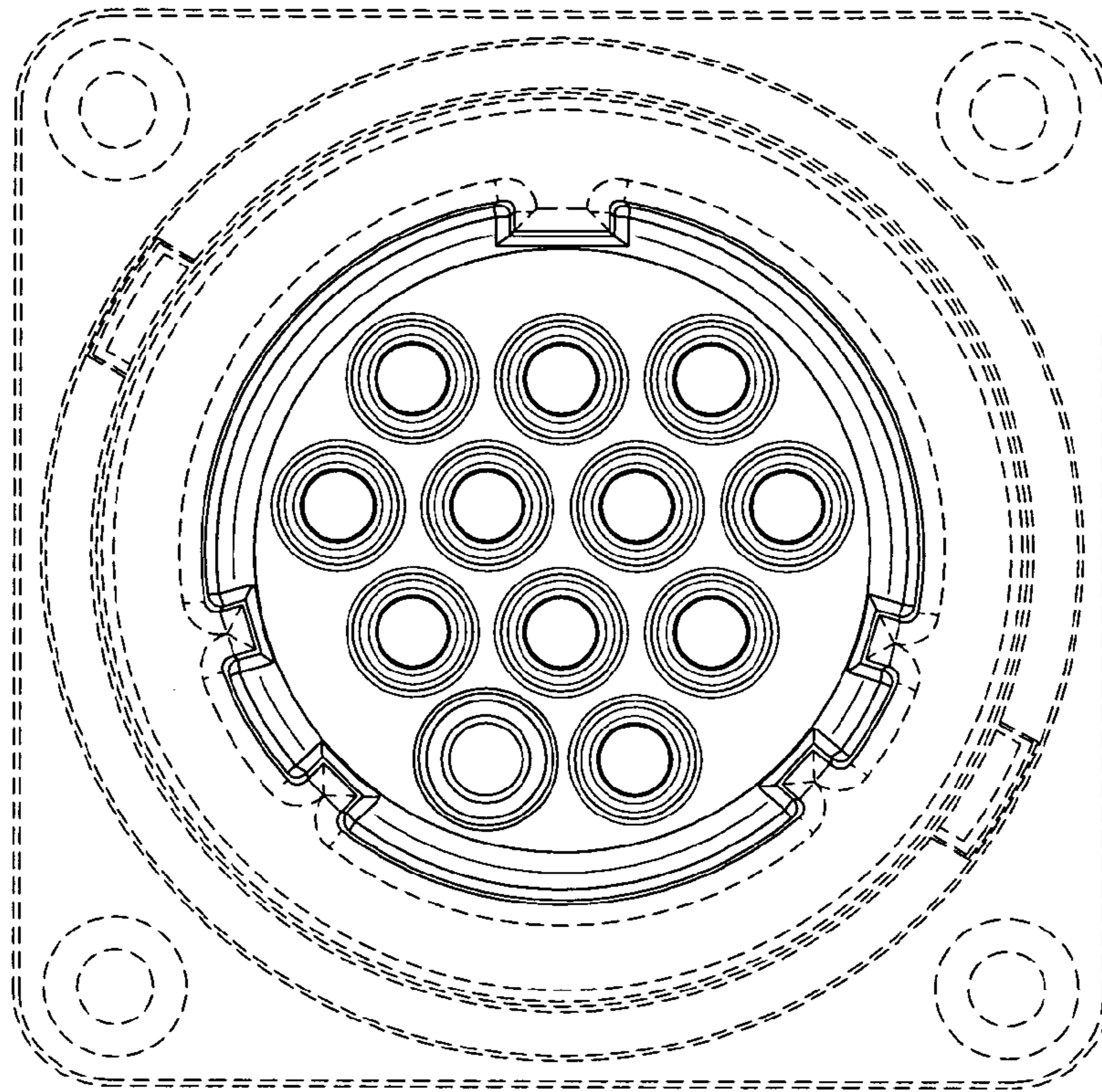


Fig. 1

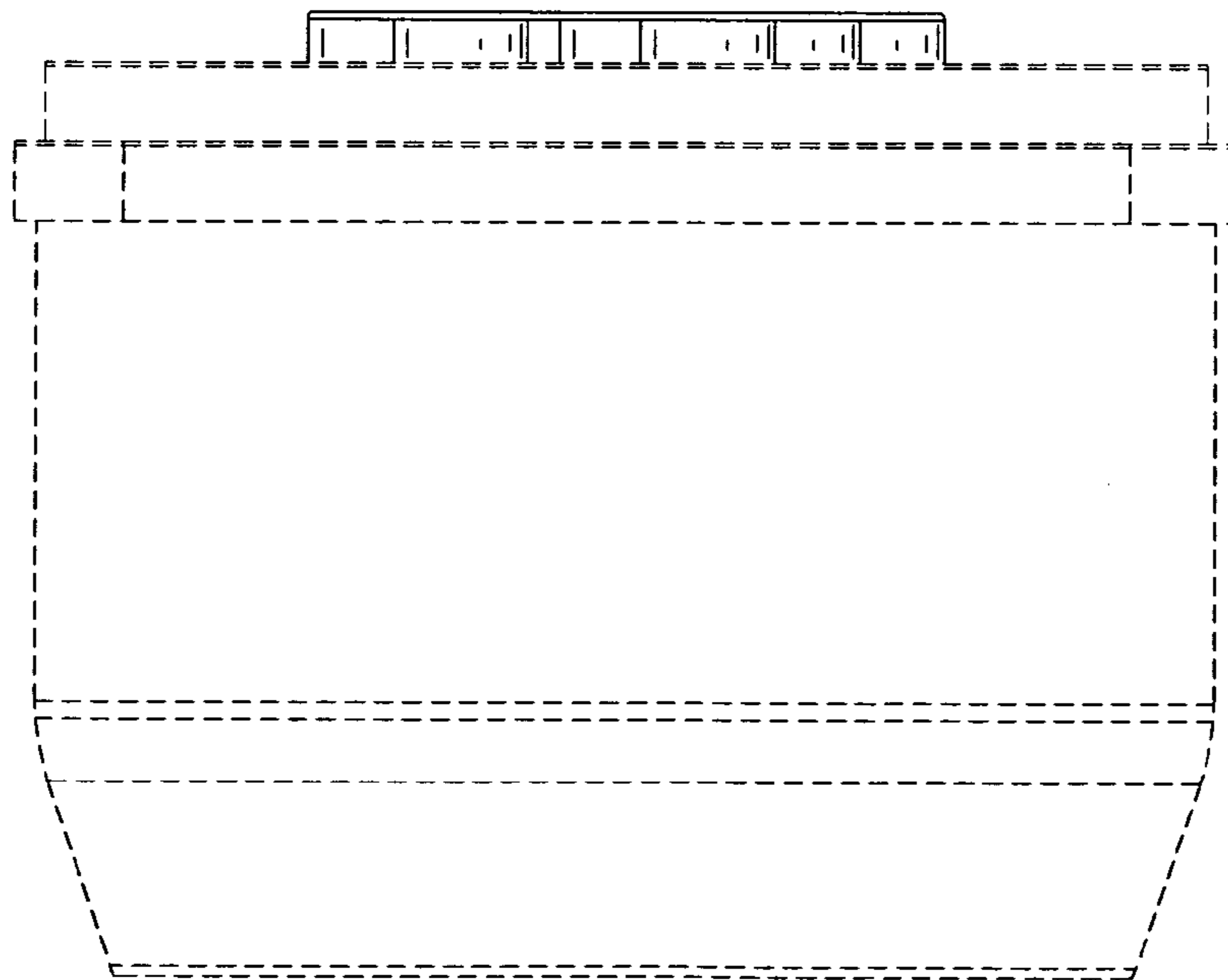


Fig. 2

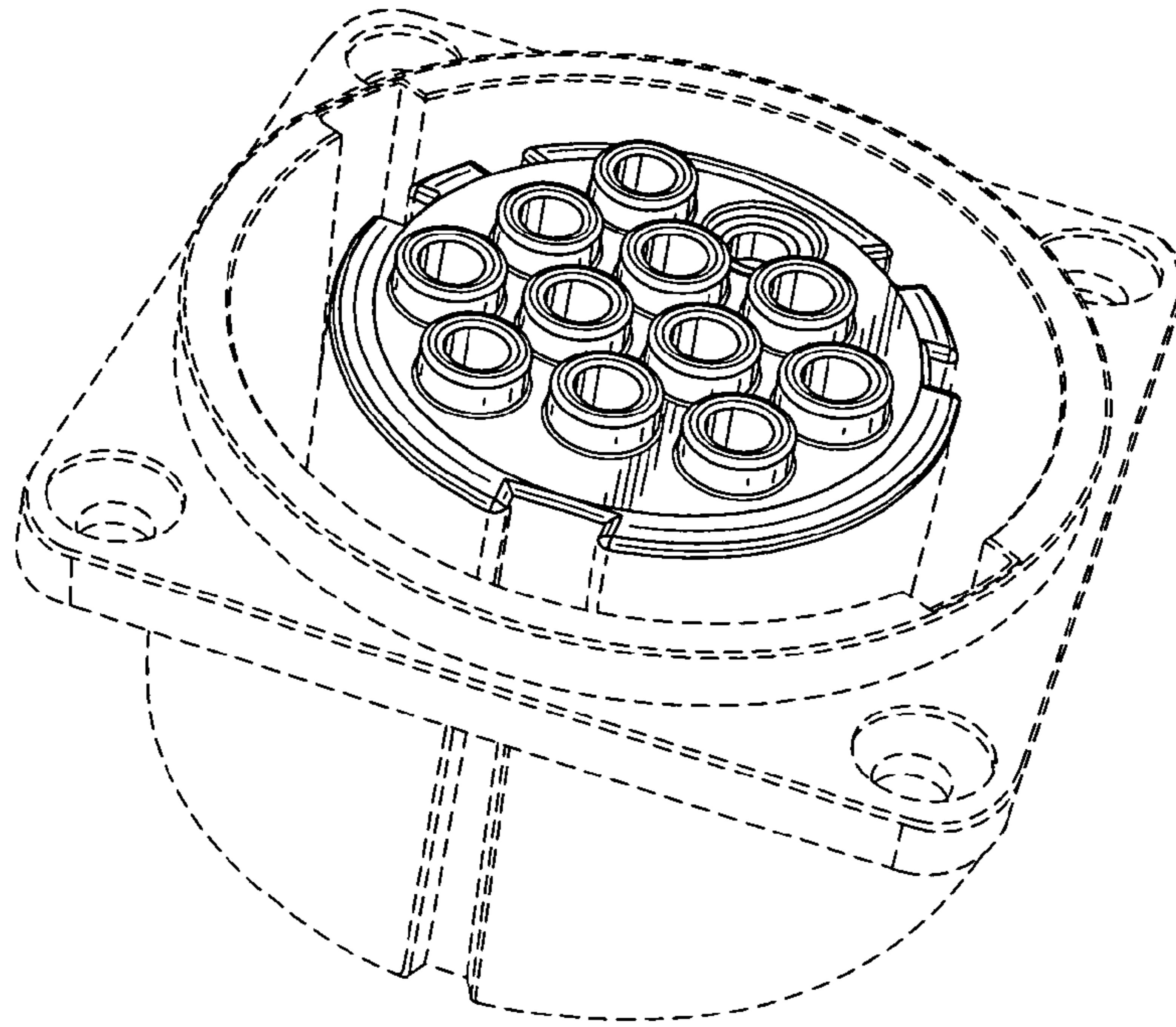


Fig. 3

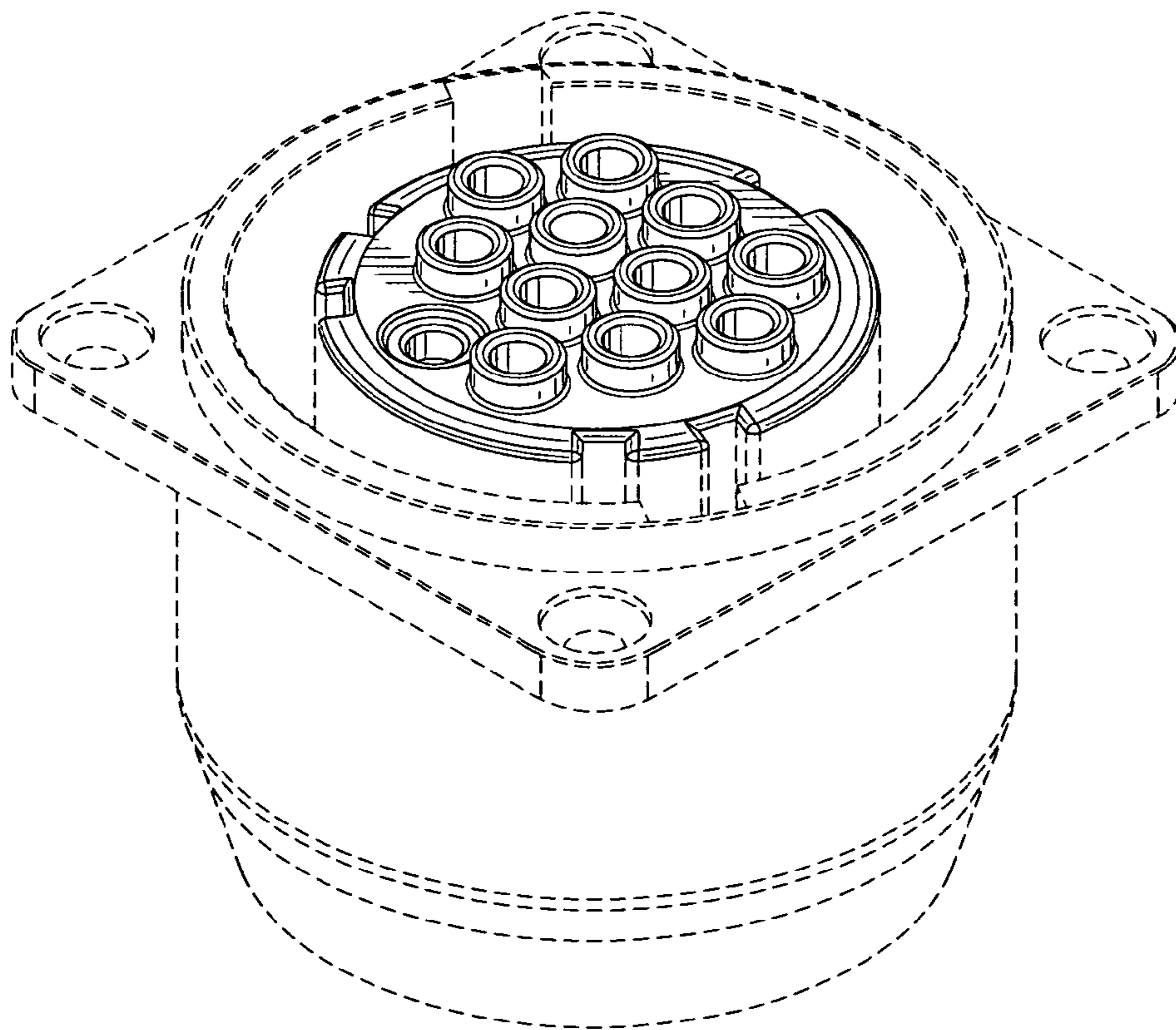


Fig. 4