



US00D614137S

(12) **United States Design Patent**
Son et al.

(10) **Patent No.:** **US D614,137 S**
(45) **Date of Patent:** **** Apr. 20, 2010**

(54) **CHARGER**

(75) Inventors: **Sung Ho Son**, Redmond, WA (US);
Gregory G. Jones, Seattle, WA (US);
Steven W. Fisher, Edmonds, WA (US)

(73) Assignee: **Microsoft Corporation**, Redmond, WA (US)

(**) Term: **14 Years**

(21) Appl. No.: **29/344,028**

(22) Filed: **Sep. 22, 2009**

(51) **LOC (9) Cl.** **13-03**

(52) **U.S. Cl.** **D13/144**; D13/108

(58) **Field of Classification Search** D13/102–103,
D13/107–110, 118–119, 133, 144, 184; D14/155,
D14/251, 253, 432, 434, 184; 439/300, 620,
439/638, 668–669, 675, 825; 320/107–115;
363/146

See application file for complete search history.

(56) **References Cited**

U.S. PATENT DOCUMENTS

D314,178 S *	1/1991	Reber	D13/144
D392,617 S *	3/1998	Yokozawa	D13/144
D406,261 S *	3/1999	Kettula et al.	D13/144
D409,568 S *	5/1999	Lindahl	D13/144
6,641,405 B2 *	11/2003	Chou	439/32
D489,326 S *	5/2004	Nazar	D13/110
D492,249 S *	6/2004	Suomalainen et al.	D13/108
D507,532 S *	7/2005	Kajiwara et al.	D13/144
D522,457 S *	6/2006	Riede	D13/144
D522,992 S *	6/2006	Dayan	D14/155
D523,413 S *	6/2006	Dayan	D14/155
D524,285 S *	7/2006	Dayan	D14/155
D538,775 S *	3/2007	Dayan	D14/155
D541,254 S *	4/2007	Dayan	D14/155

D545,274 S *	6/2007	Dong	D13/144
D548,719 S *	8/2007	Dayan	D14/155
D592,594 S *	5/2009	Stiff et al.	D13/110

* cited by examiner

Primary Examiner—Rosemary K Tarcza

(74) *Attorney, Agent, or Firm*—Banner & Witcoff, Ltd.

(57) **CLAIM**

The ornamental design for a charger, as shown and described.

DESCRIPTION

FIG. 1 is a top perspective view of a charger showing our new design;

FIG. 2 is a top view thereof;

FIG. 3 is a bottom view thereof;

FIG. 4 is a left side view thereof;

FIG. 5 is a right side view thereof;

FIG. 6 is a front view thereof;

FIG. 7 is a rear view thereof;

FIG. 8 is a top perspective view of the charger in FIGS. 1–7 shown without surface shading and without depicted disclaimed regions;

FIG. 9 is a top view thereof;

FIG. 10 is a bottom view thereof;

FIG. 11 is a left side view thereof;

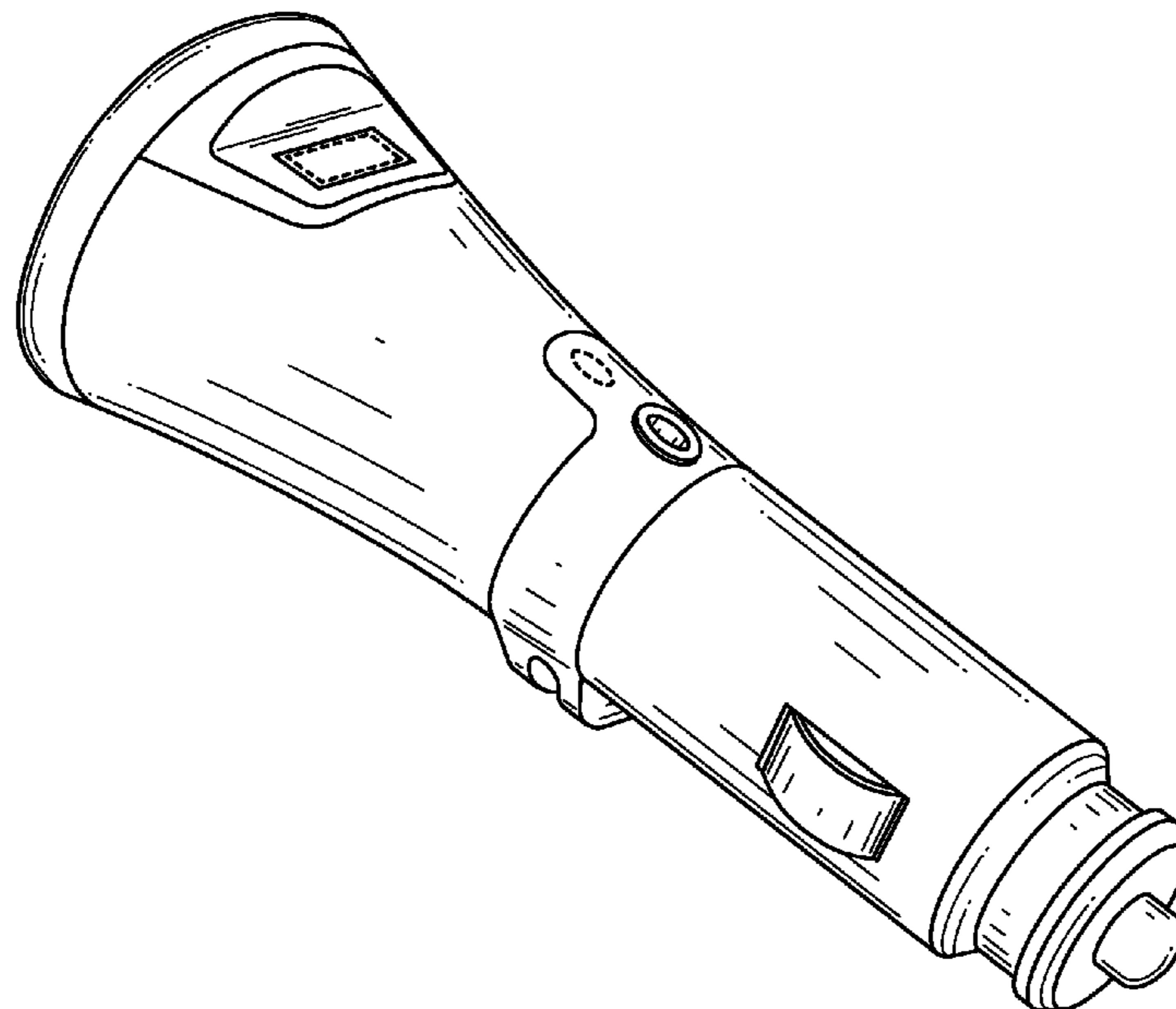
FIG. 12 is a right side view thereof;

FIG. 13 is a front view thereof; and,

FIG. 14 is a rear view thereof.

The broken line showing of the remainder of the charger in FIGS. 1–7 is for environmental purposes only and forms no part of the claimed design.

1 Claim, 8 Drawing Sheets



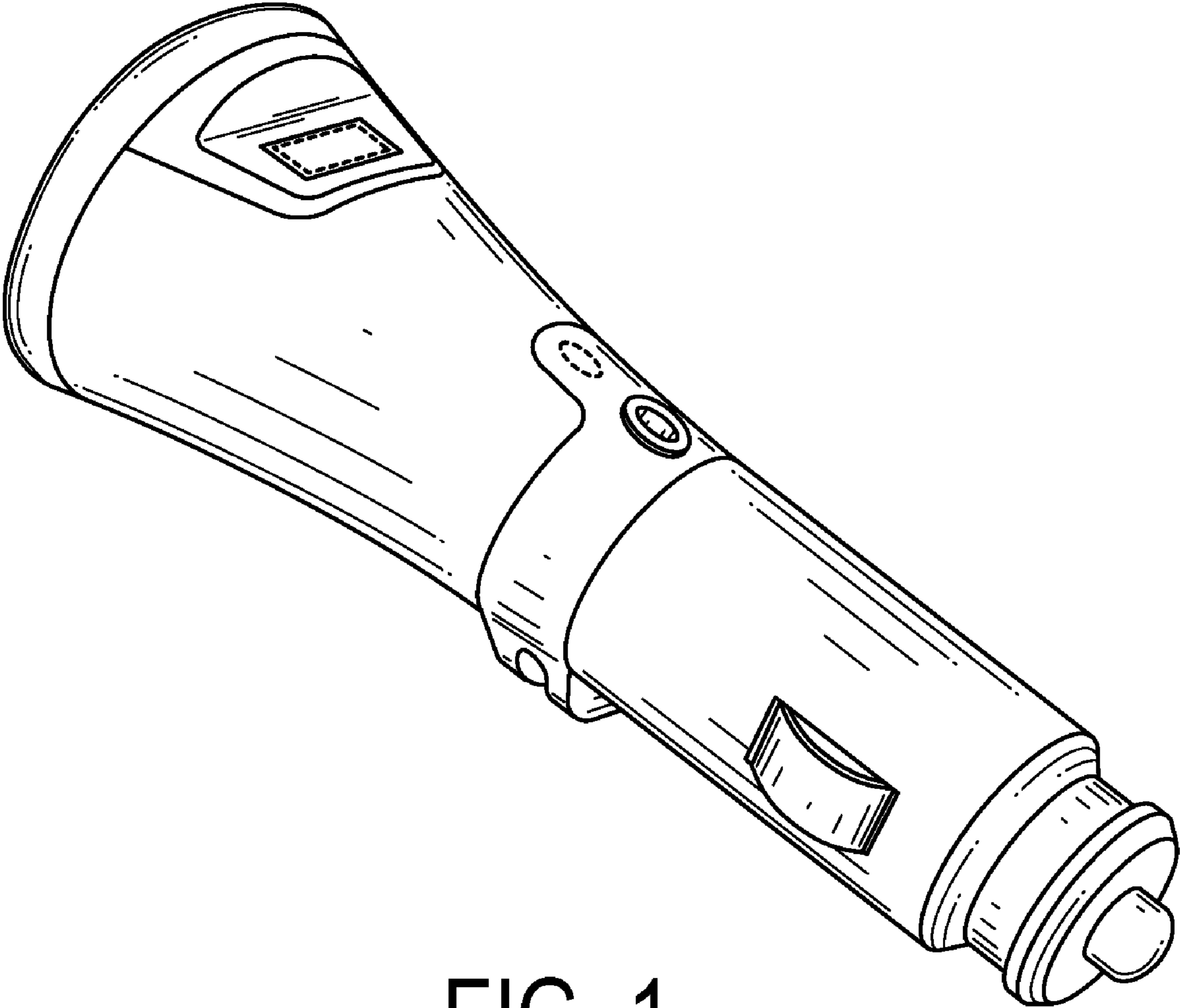


FIG. 1

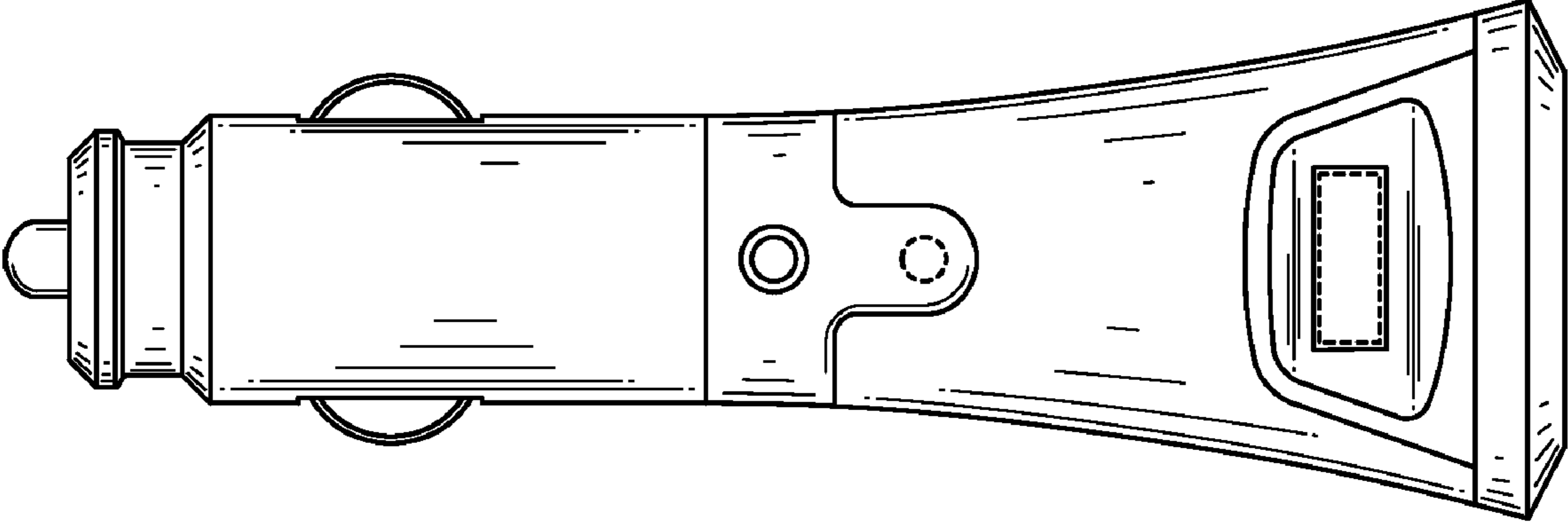


FIG. 2

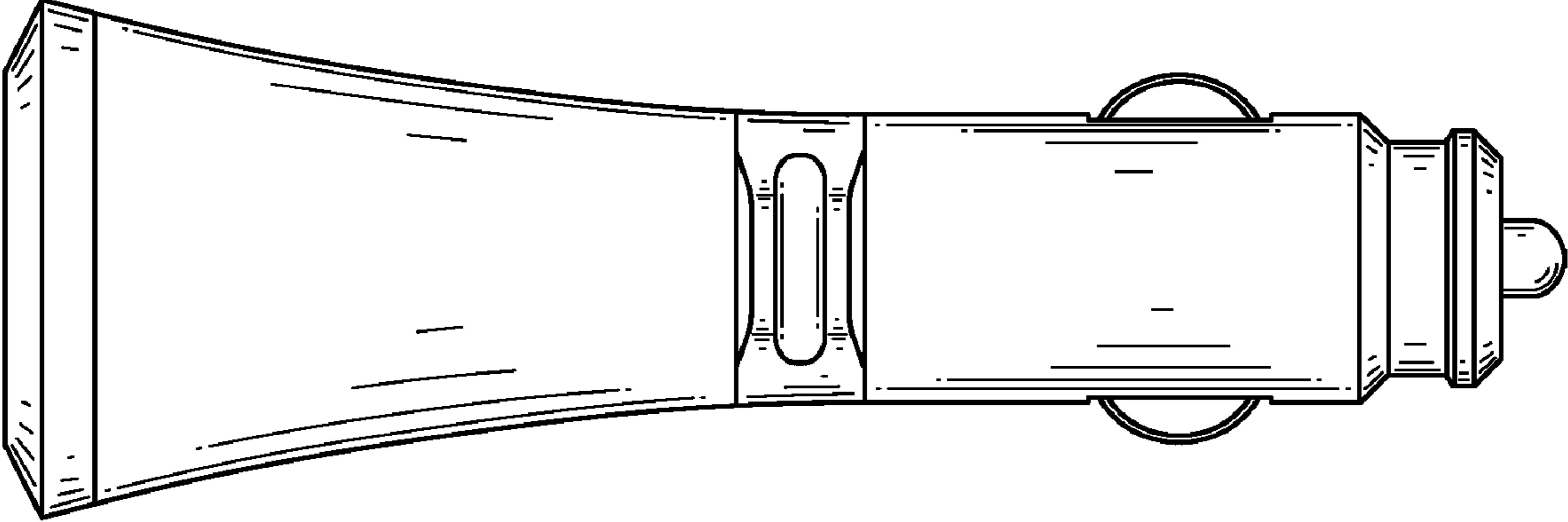


FIG. 3

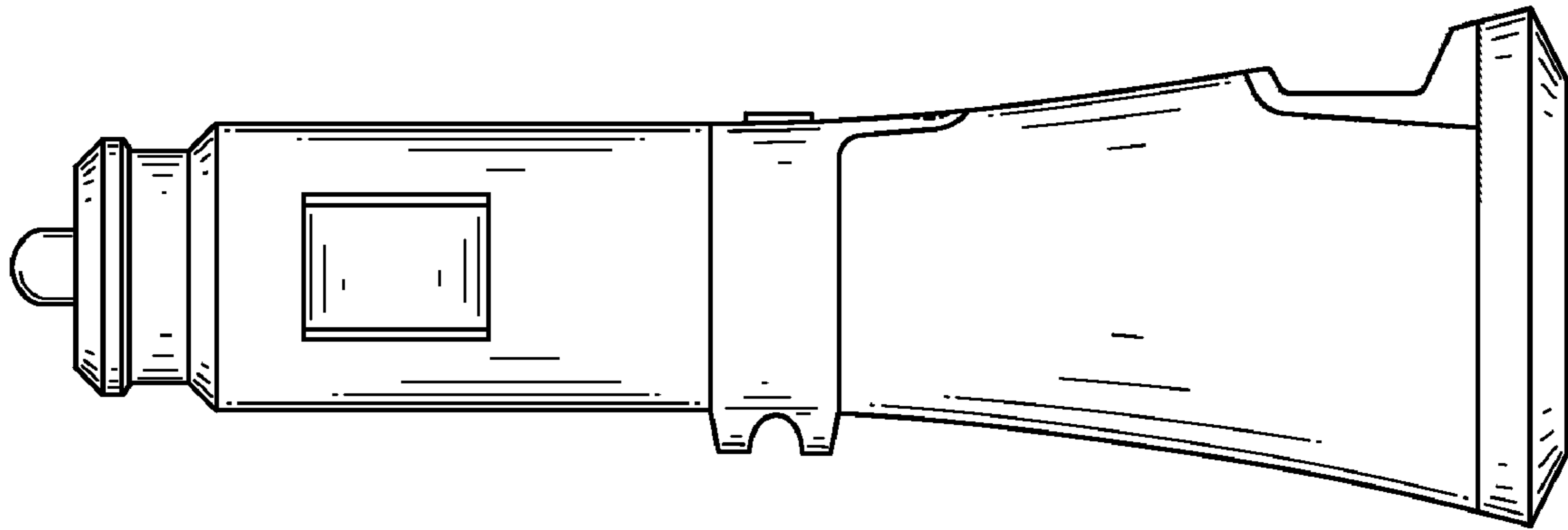


FIG. 4

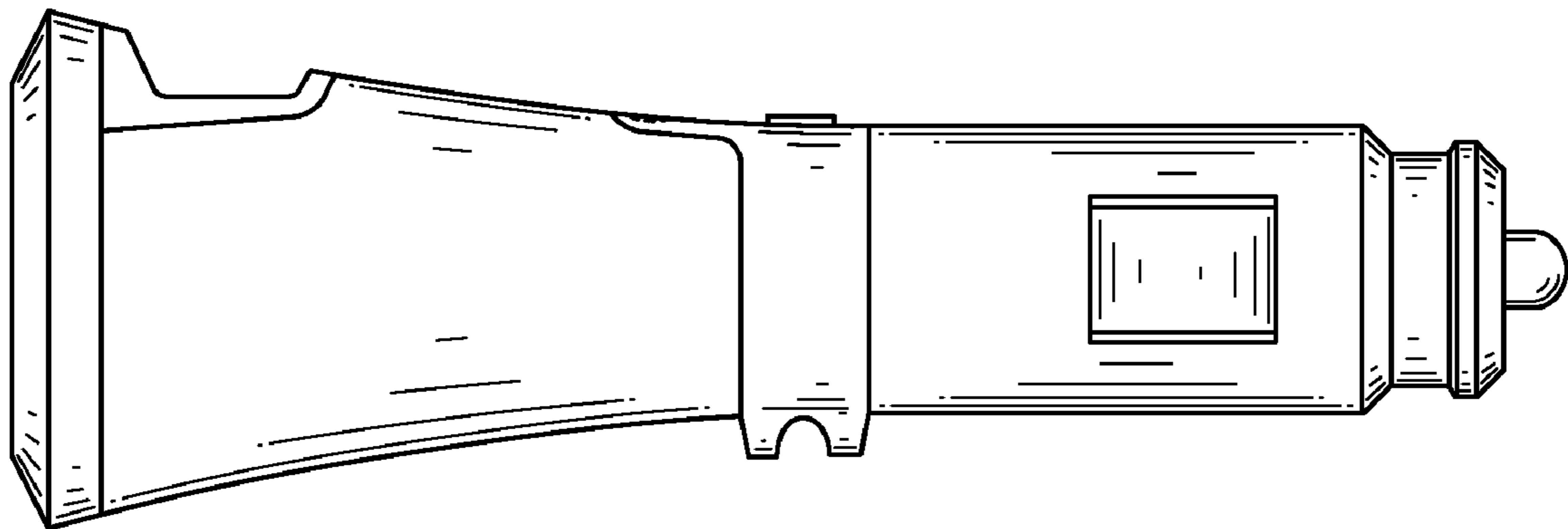


FIG. 5

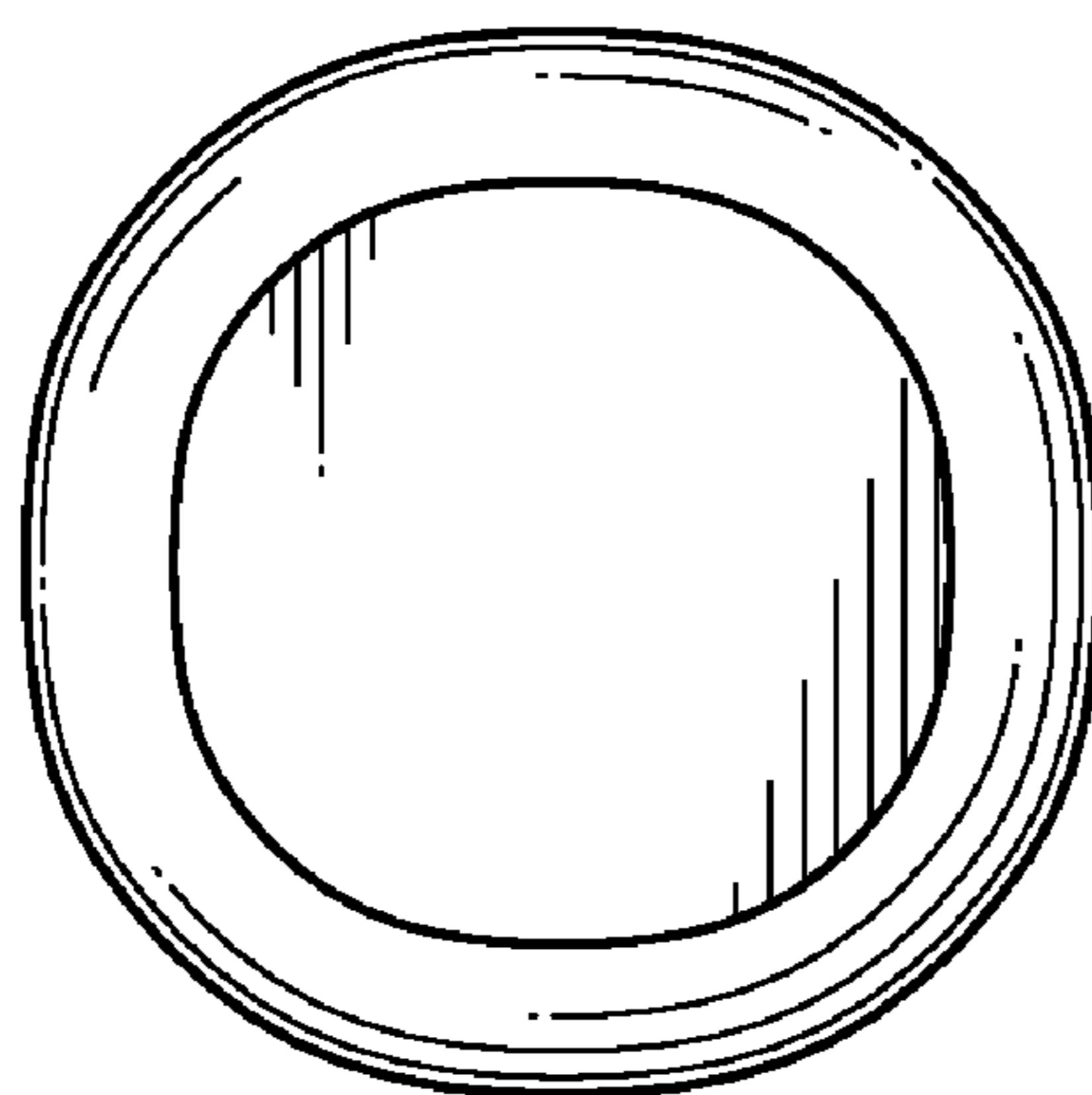


FIG. 6

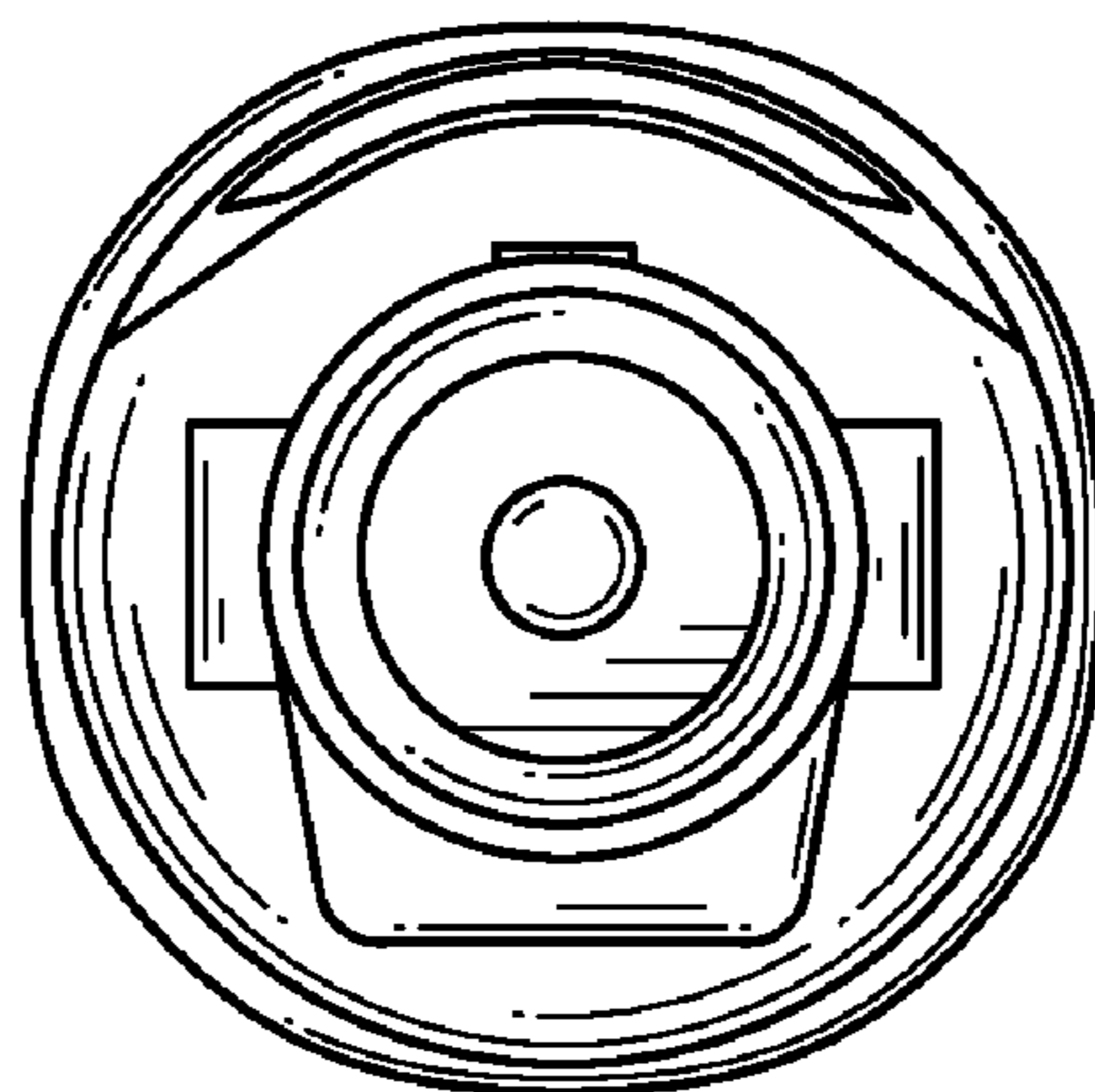


FIG. 7

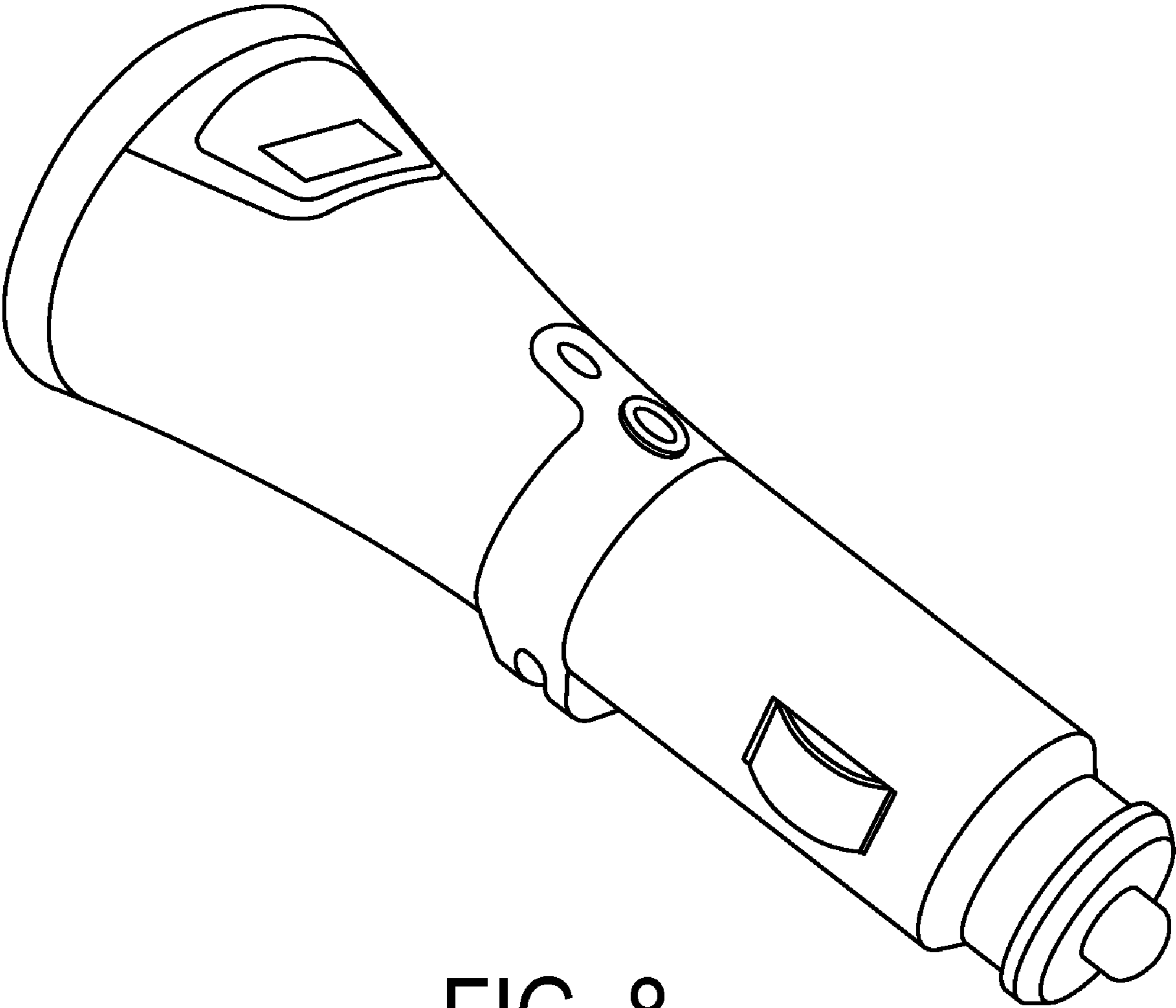


FIG. 8

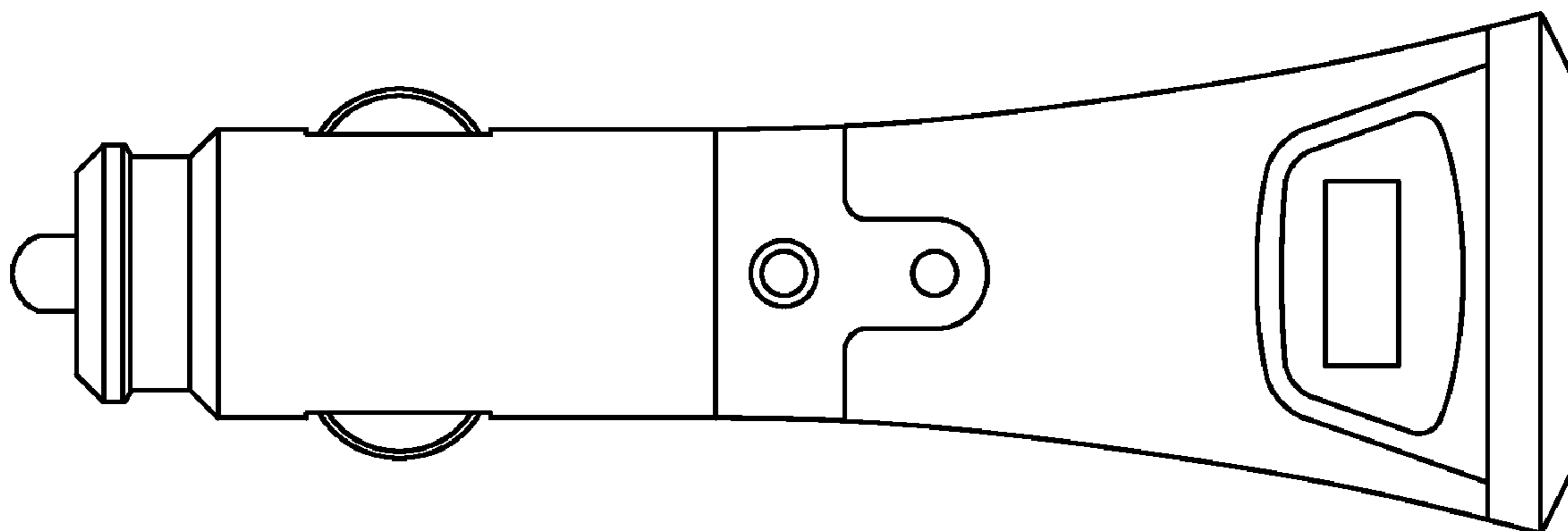


FIG. 9

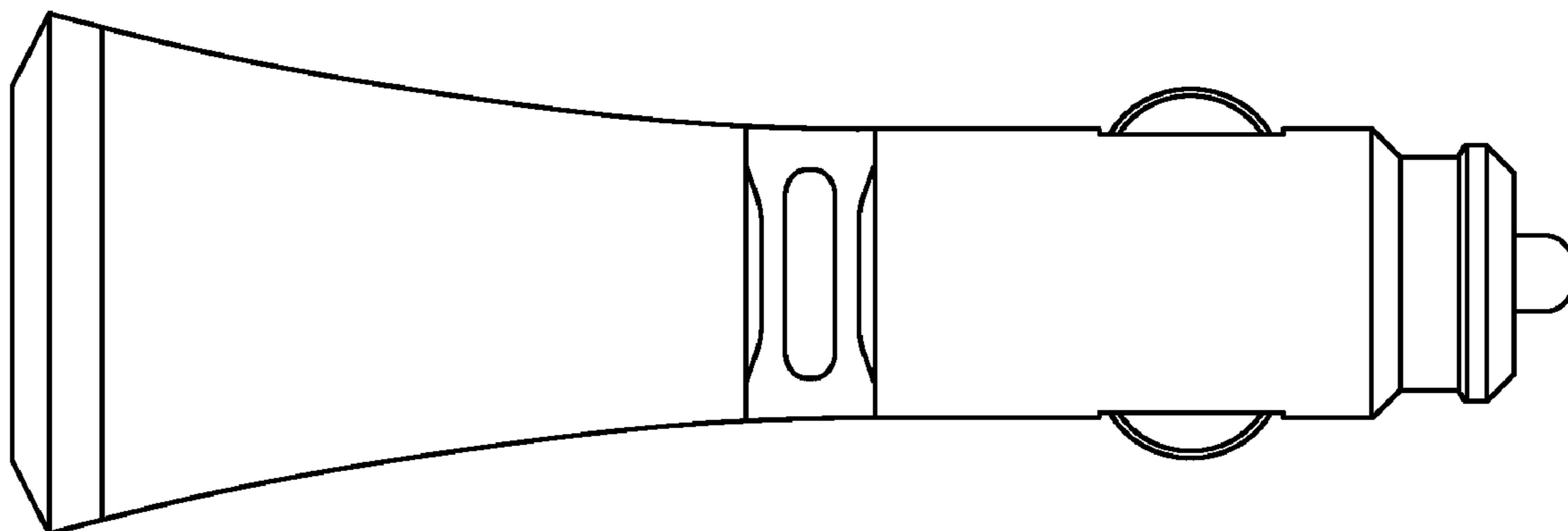


FIG. 10

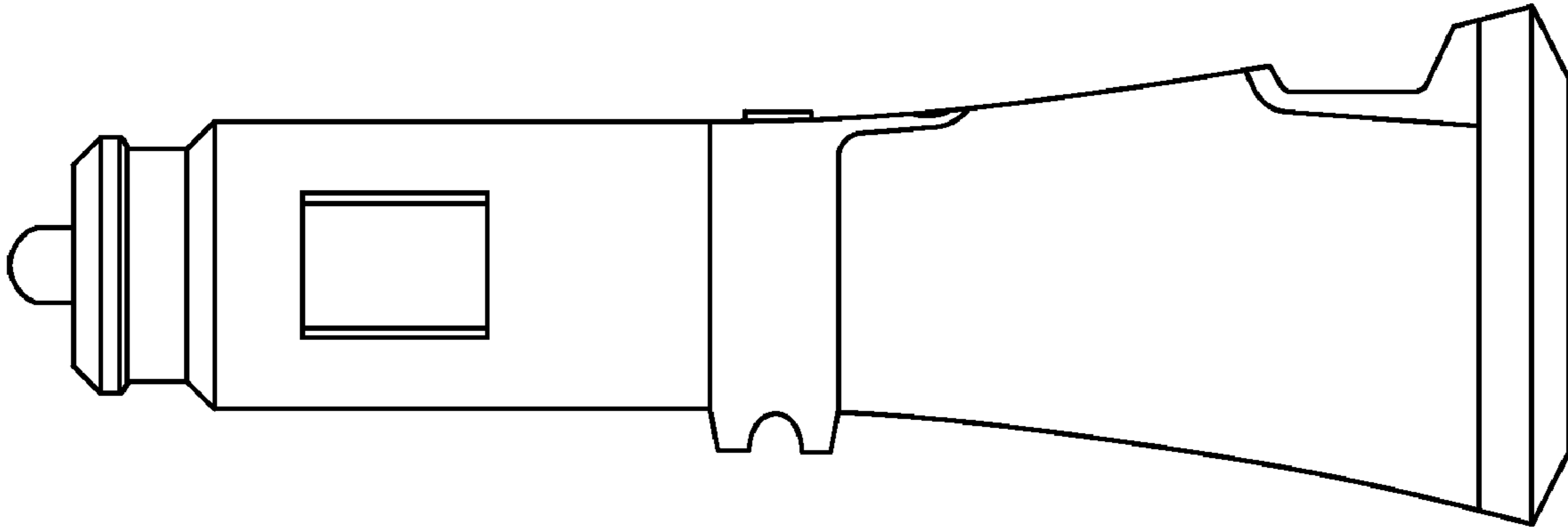


FIG. 11

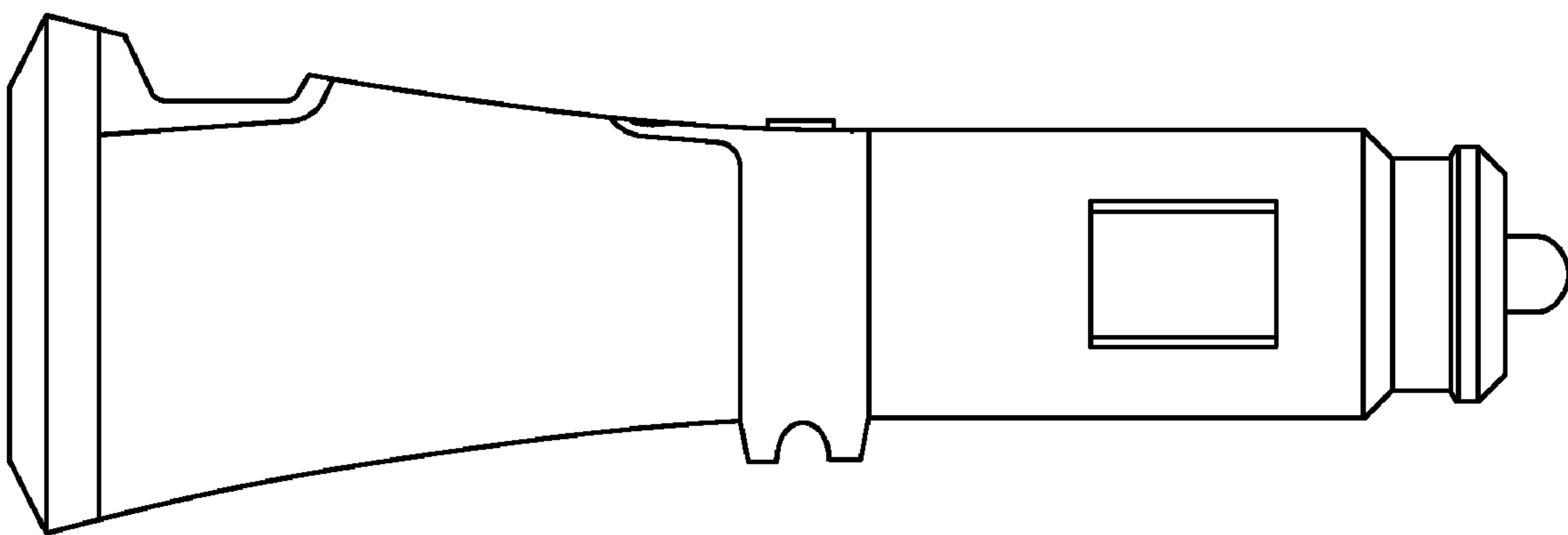


FIG. 12

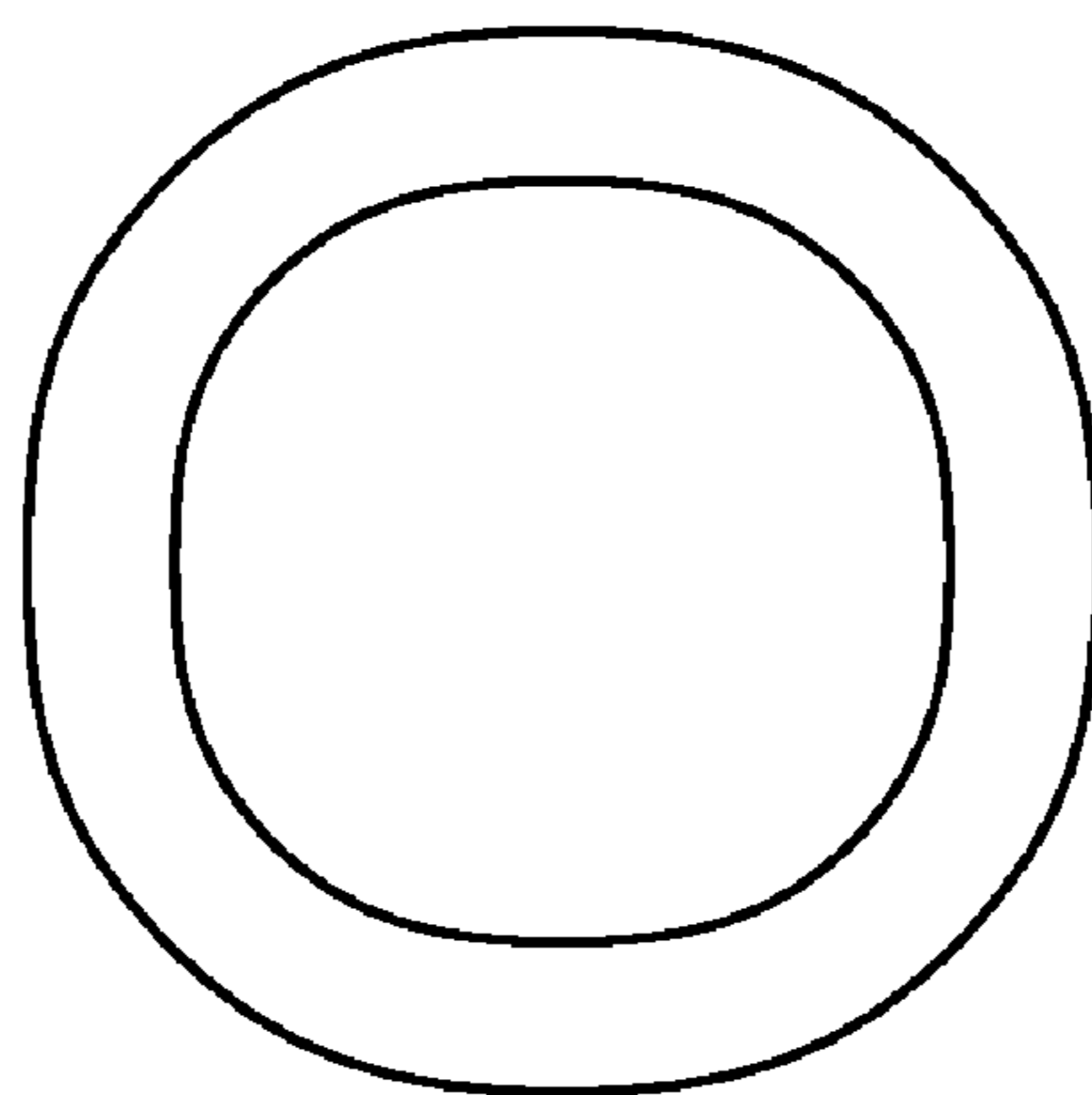


FIG. 13

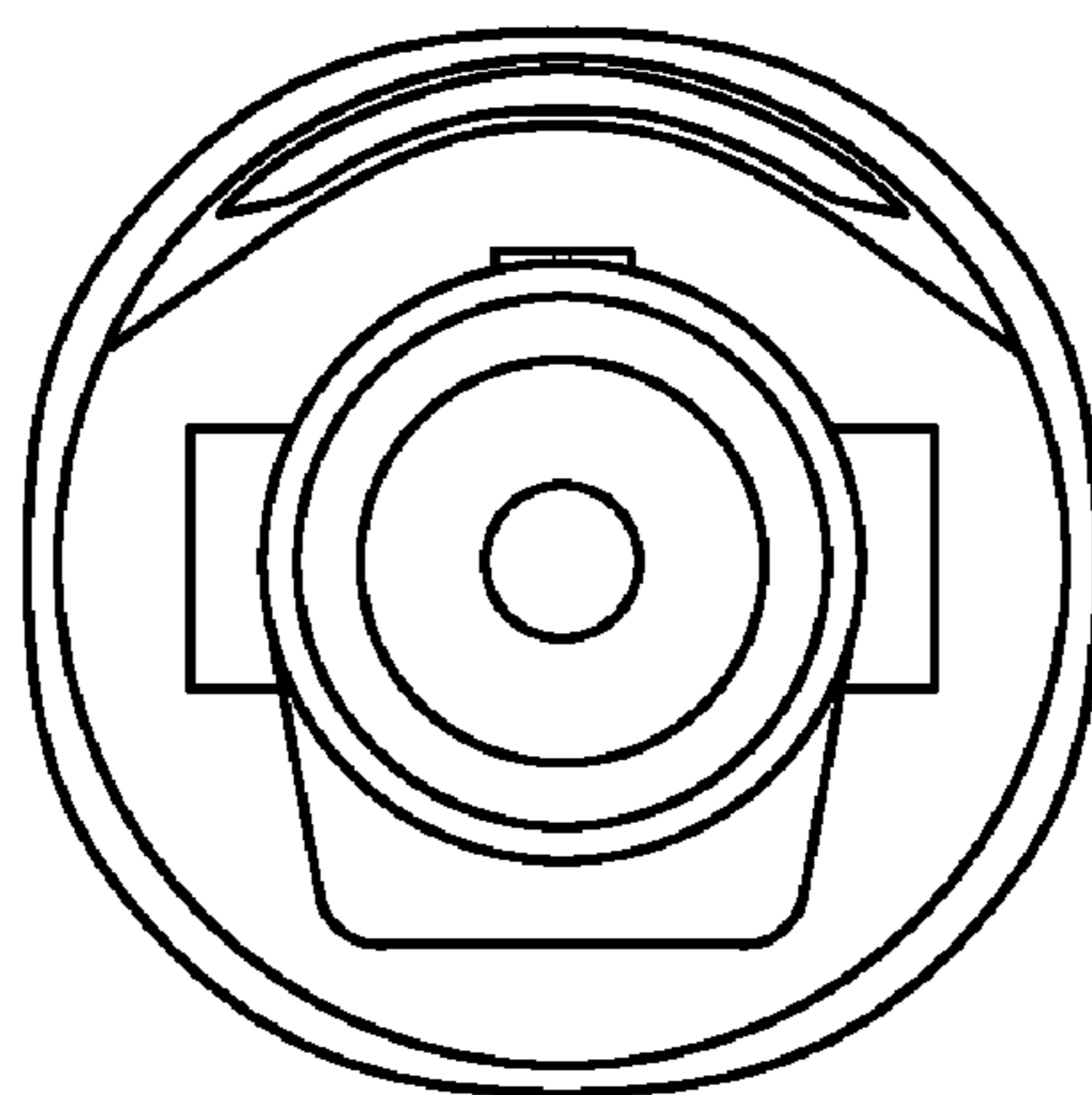


FIG. 14