



US00D614134S

(12) **United States Design Patent**  
**Chen et al.**

(10) **Patent No.:** **US D614,134 S**  
(45) **Date of Patent:** **\*\* Apr. 20, 2010**

(54) **MULTI-DIRECTION SOCKET**

(75) Inventors: **Chun-Chieh Chen**, Taoyuan (TW);  
**Hao-Liang Ren**, Taoyuan (TW)

(73) Assignee: **YFC-BONEAGLE Electric Co., Ltd.**,  
Taoyuan (TW)

(\*\*) Term: **14 Years**

(21) Appl. No.: **29/346,092**

(22) Filed: **Oct. 27, 2009**

(51) **LOC (9) Cl.** ..... **13-03**

(52) **U.S. Cl.** ..... **D13/137.2**

(58) **Field of Classification Search** .. D13/137.1–139.8,  
D13/133, 184, 199; D14/433; 174/53–58,  
174/66; 439/105–107, 535, 650–655, 692  
See application file for complete search history.

(56) **References Cited**

**U.S. PATENT DOCUMENTS**

D80,102 S *	12/1929	Muldoon	.....	D13/137.2
D194,105 S *	11/1962	More	.....	D13/137.2
D251,293 S *	3/1979	Trueblood	.....	D13/137.2
D276,225 S *	11/1984	Powel	.....	D13/137.2
D409,146 S *	5/1999	Fladung	.....	D13/137.2
5,931,702 A *	8/1999	Fladung	.....	439/652

D446,502 S *	8/2001	Wen	.....	D13/137.2
D469,064 S *	1/2003	Nieto	.....	D13/137.2
6,929,514 B1 *	8/2005	Chuang	.....	439/652
D562,240 S *	2/2008	Lee	.....	D13/137.2
D607,819 S *	1/2010	Seil et al.	.....	D13/133
2003/0228803 A1 *	12/2003	Toering	.....	439/652
2009/0156061 A1 *	6/2009	Bernstein	.....	439/652

\* cited by examiner

*Primary Examiner*—Rosemary K Tarca

(74) *Attorney, Agent, or Firm*—Chun-Ming Shih

(57) **CLAIM**

The ornamental design for a multi-direction socket, as shown and described.

**DESCRIPTION**

FIG. 1 is a perspective view of a multi-direction socket showing my new design;

FIG. 2 is a front view thereof;

FIG. 3 is a rear view thereof;

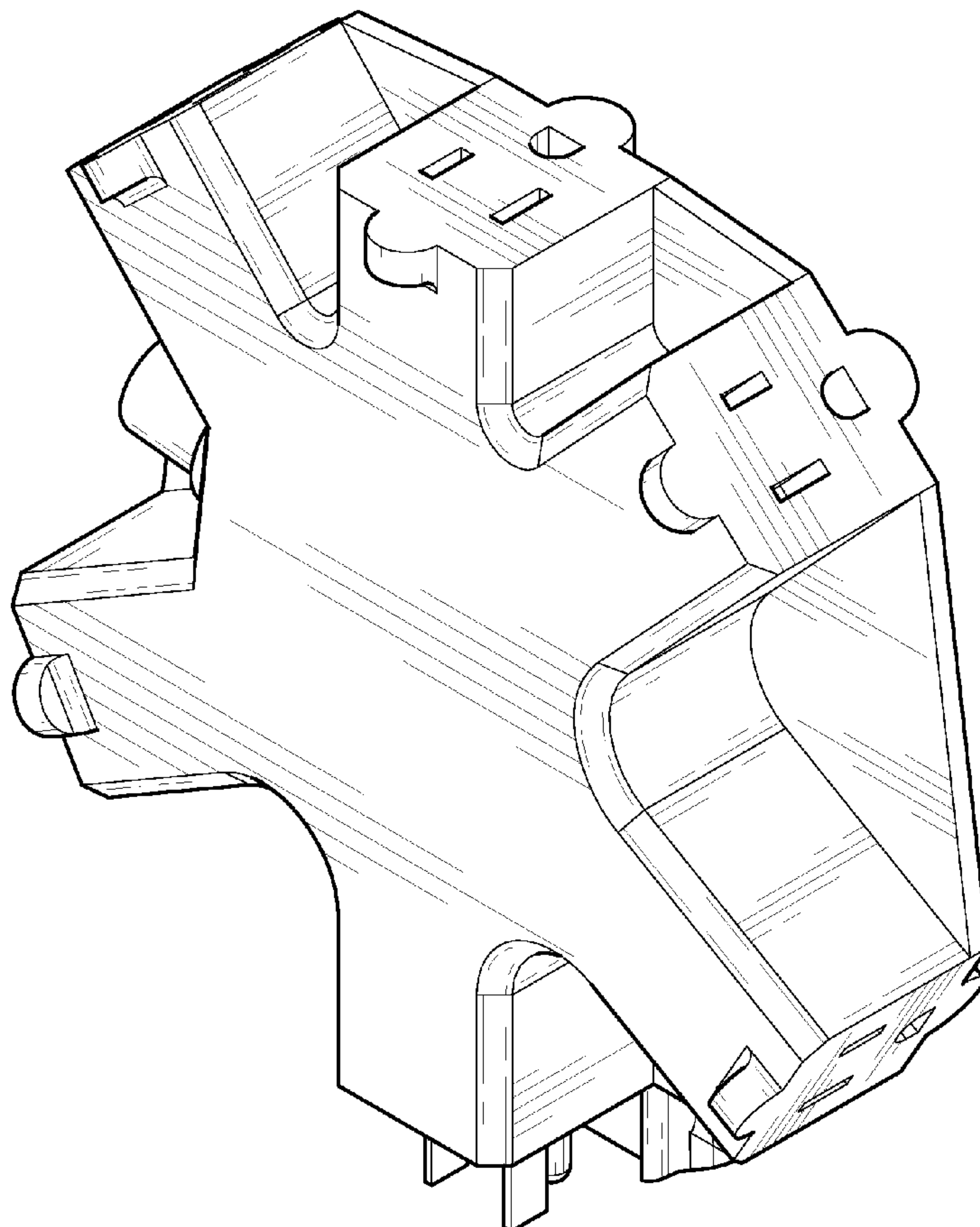
FIG. 4 is a left side view thereof;

FIG. 5 is a right side view thereof;

FIG. 6 is a top view thereof; and,

FIG. 7 is a bottom view thereof.

**1 Claim, 5 Drawing Sheets**



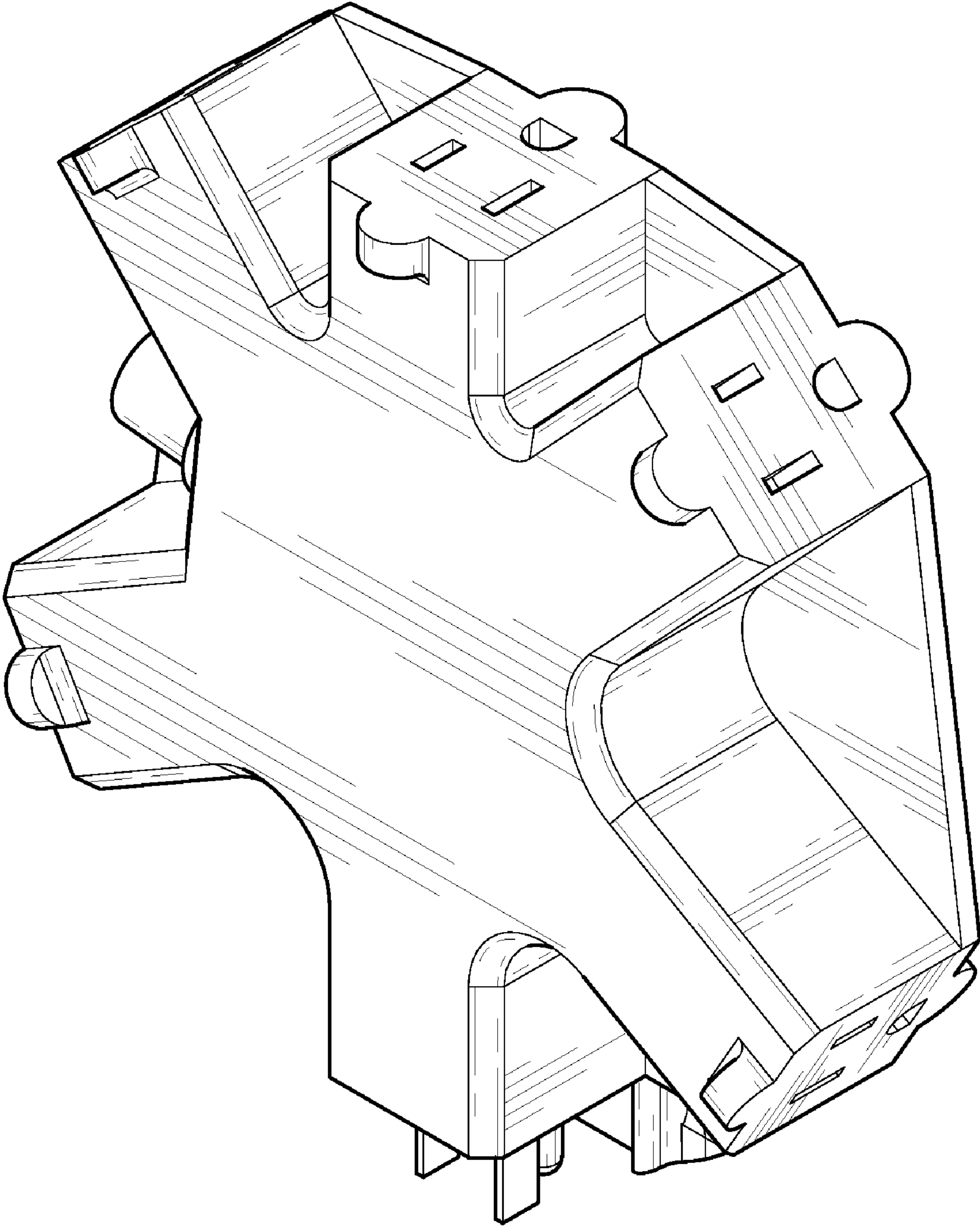


FIG.1

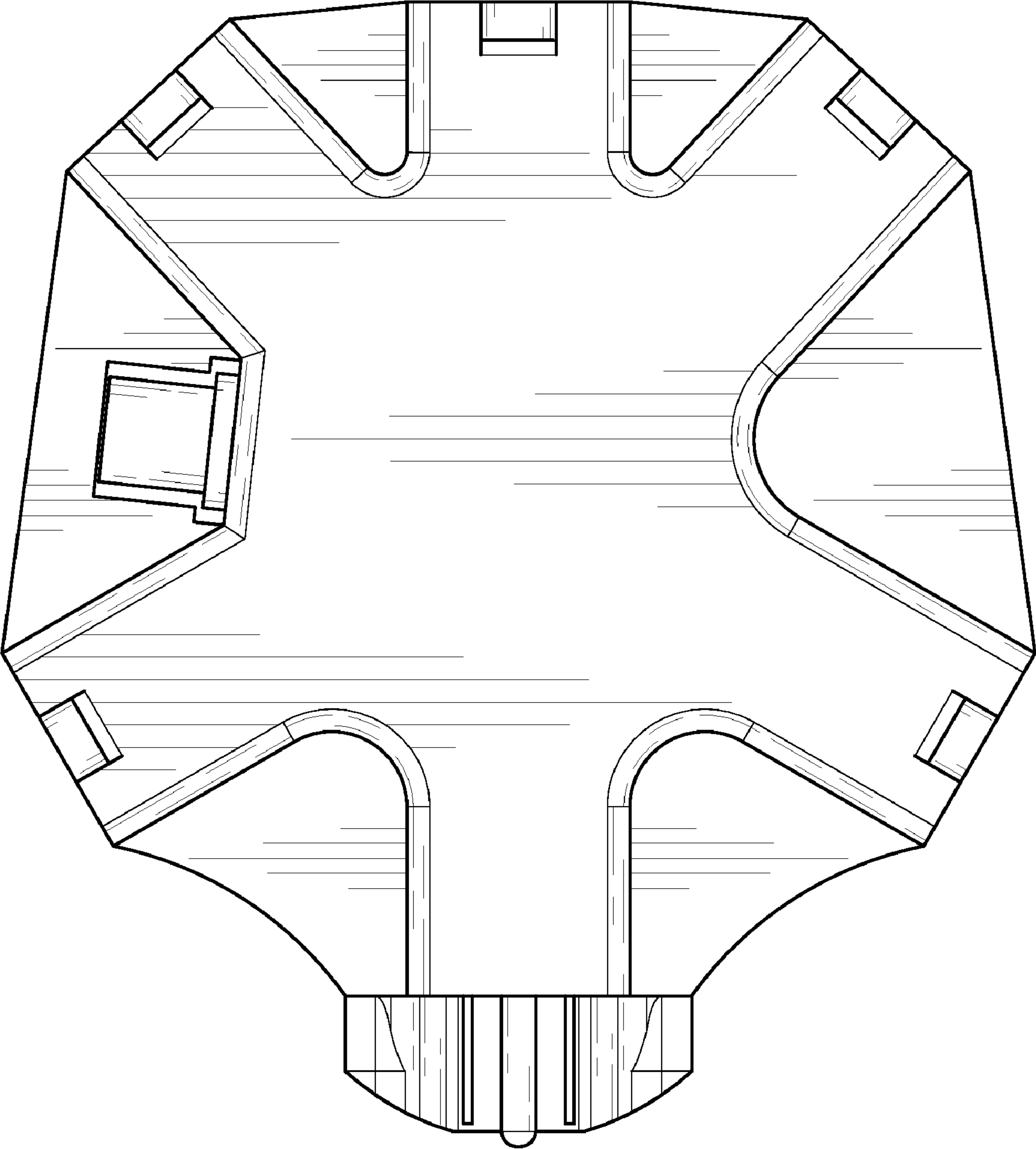


FIG.2

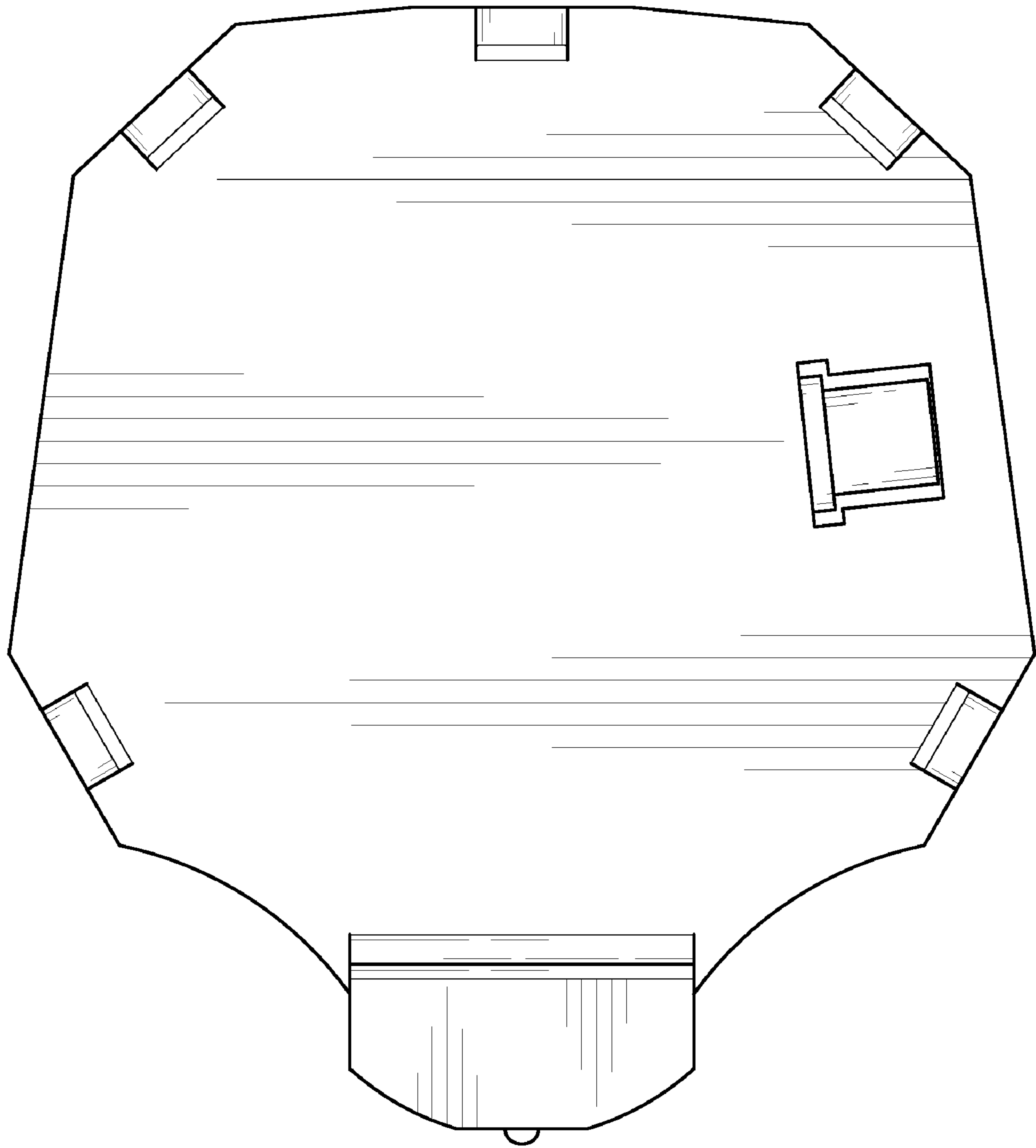


FIG.3

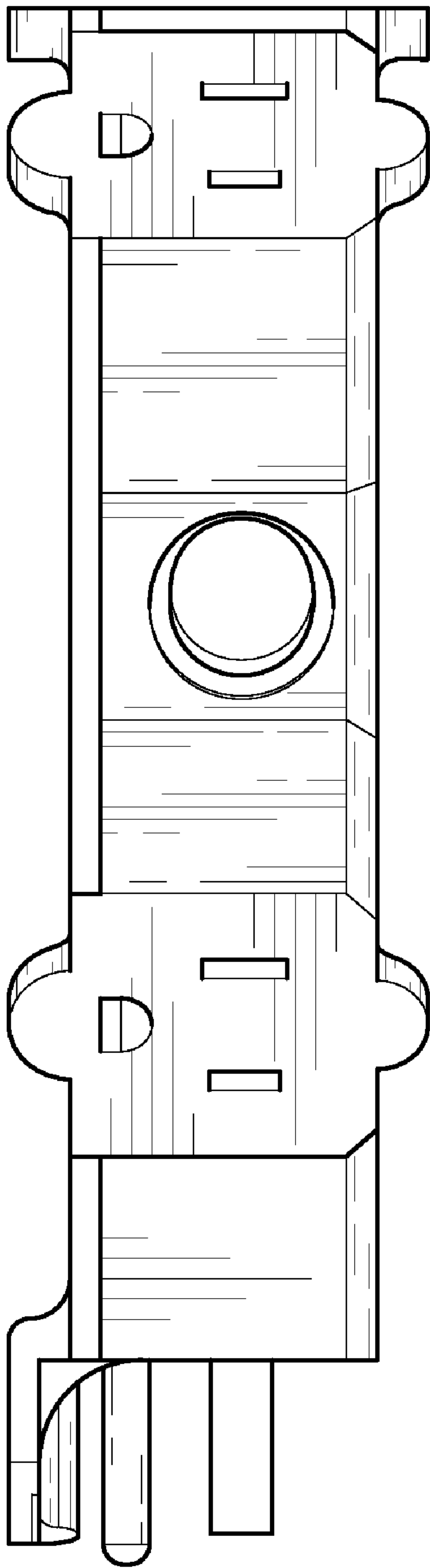


FIG. 4

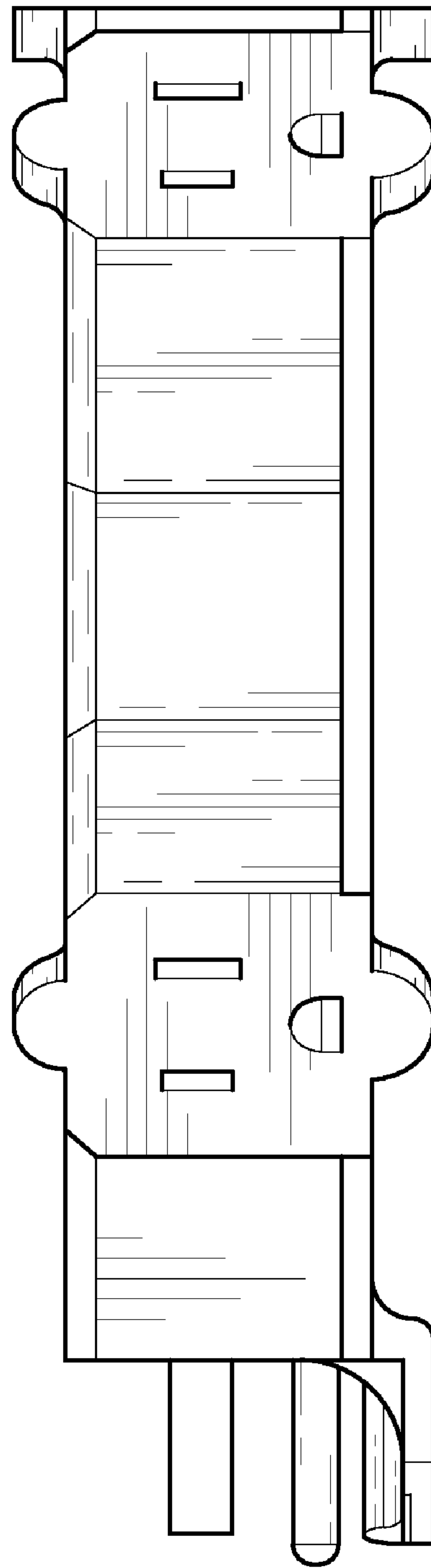


FIG. 5

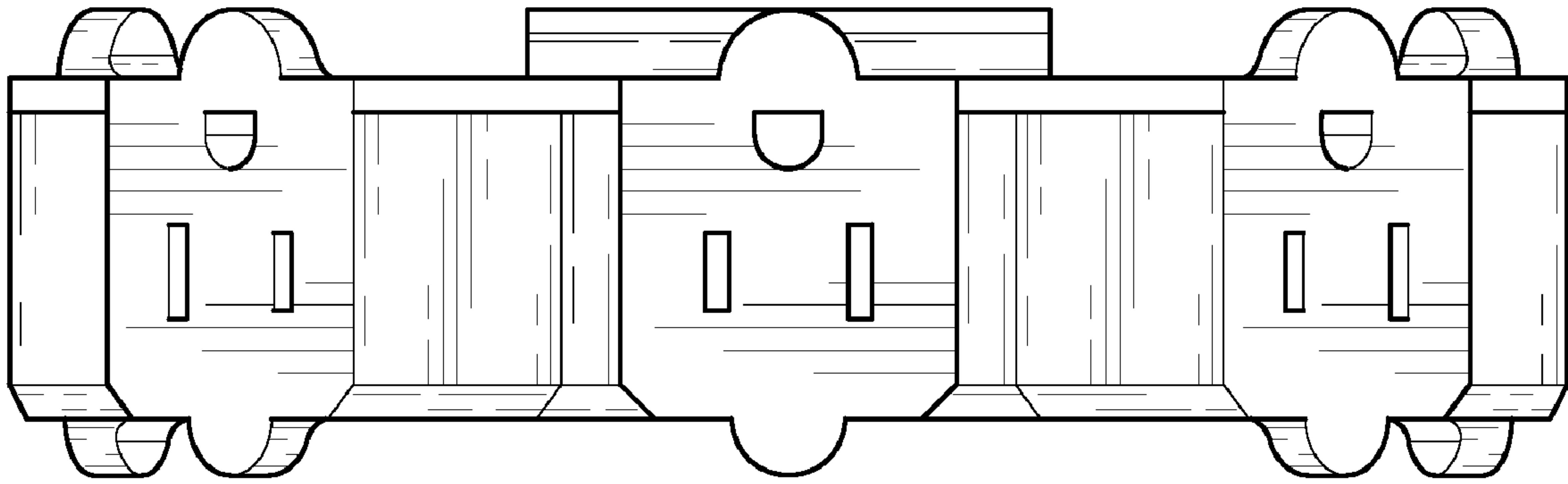


FIG. 6

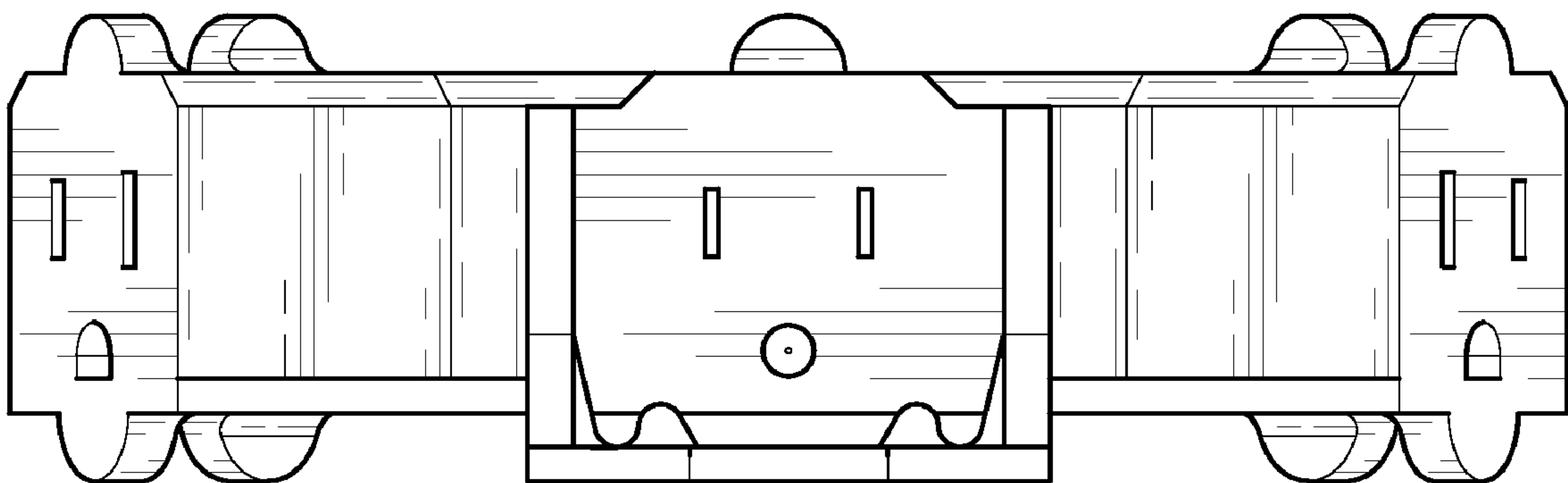


FIG. 7