



US00D614130S

(12) **United States Design Patent**
Nylen

(10) **Patent No.:** **US D614,130 S**

(45) **Date of Patent:** **** Apr. 20, 2010**

(54) **CHARGER**

(75) Inventor: **Tuomas Nylen**, Helsinki (FI)

(73) Assignee: **Nokia Corporation**, Espoo (FI)

(**) Term: **14 Years**

(21) Appl. No.: **29/343,337**

(22) Filed: **Sep. 10, 2009**

(51) **LOC (9) Cl.** **13-02**

(52) **U.S. Cl.** **D13/108**

(58) **Field of Classification Search** D13/107–110,
D13/133, 137.1–139.8, 118–119, 184, 199;
D14/251, 253, 432, 434; 320/107–115; 439/152–160,
439/484, 692, 694
See application file for complete search history.

(56) **References Cited**

U.S. PATENT DOCUMENTS

D124,999 S *	2/1941	Judisch	D13/138.1
D212,233 S *	9/1968	Mas	D13/110
D374,657 S *	10/1996	Beranek	D13/138.1
5,676,568 A *	10/1997	Weber	439/694
D396,446 S *	7/1998	Kettula et al.	D13/107
D399,822 S *	10/1998	Starec et al.	D13/139.1
D432,497 S *	10/2000	Totsuka et al.	D13/110
D434,378 S *	11/2000	Ullmann	D13/138.1
6,320,353 B1 *	11/2001	Chiu et al.	320/111
D452,841 S *	1/2002	Tuhkanen	D13/108
D481,674 S	11/2003	Sade et al.		
D526,272 S	8/2006	Sade et al.		
D543,147 S *	5/2007	Ng	D13/138.1
D544,833 S *	6/2007	Sade et al.	D13/108
D562,766 S *	2/2008	Yang	D13/110
D573,532 S *	7/2008	Yang	D13/110

D583,316 S	12/2008	Sade et al.		
D583,317 S *	12/2008	Kagami et al.	D13/108
D583,318 S	12/2008	Kagami et al.		
D587,192 S *	2/2009	McGinley et al.	D13/110
D587,193 S *	2/2009	McGinley et al.	D13/110
D591,233 S *	4/2009	Kagami et al.	D13/108
D592,133 S *	5/2009	Dong	D13/108
D595,224 S *	6/2009	Seil et al.	D13/110
7,638,968 B2 *	12/2009	Inoue et al.	320/107
2009/0289596 A1 *	11/2009	Mcginley et al.	320/111
2009/0298314 A1 *	12/2009	Tseng	439/159

* cited by examiner

Primary Examiner—Rosemary K Tarcza

(74) *Attorney, Agent, or Firm*—Banner & Witcoff, Ltd.

(57) **CLAIM**

The ornamental design for a charger, as shown and described.

DESCRIPTION

FIG. 1 is a perspective front view of a charger showing my new design;

FIG. 2 is a front view thereof;

FIG. 3 is a rear view thereof;

FIG. 4 is right side view thereof;

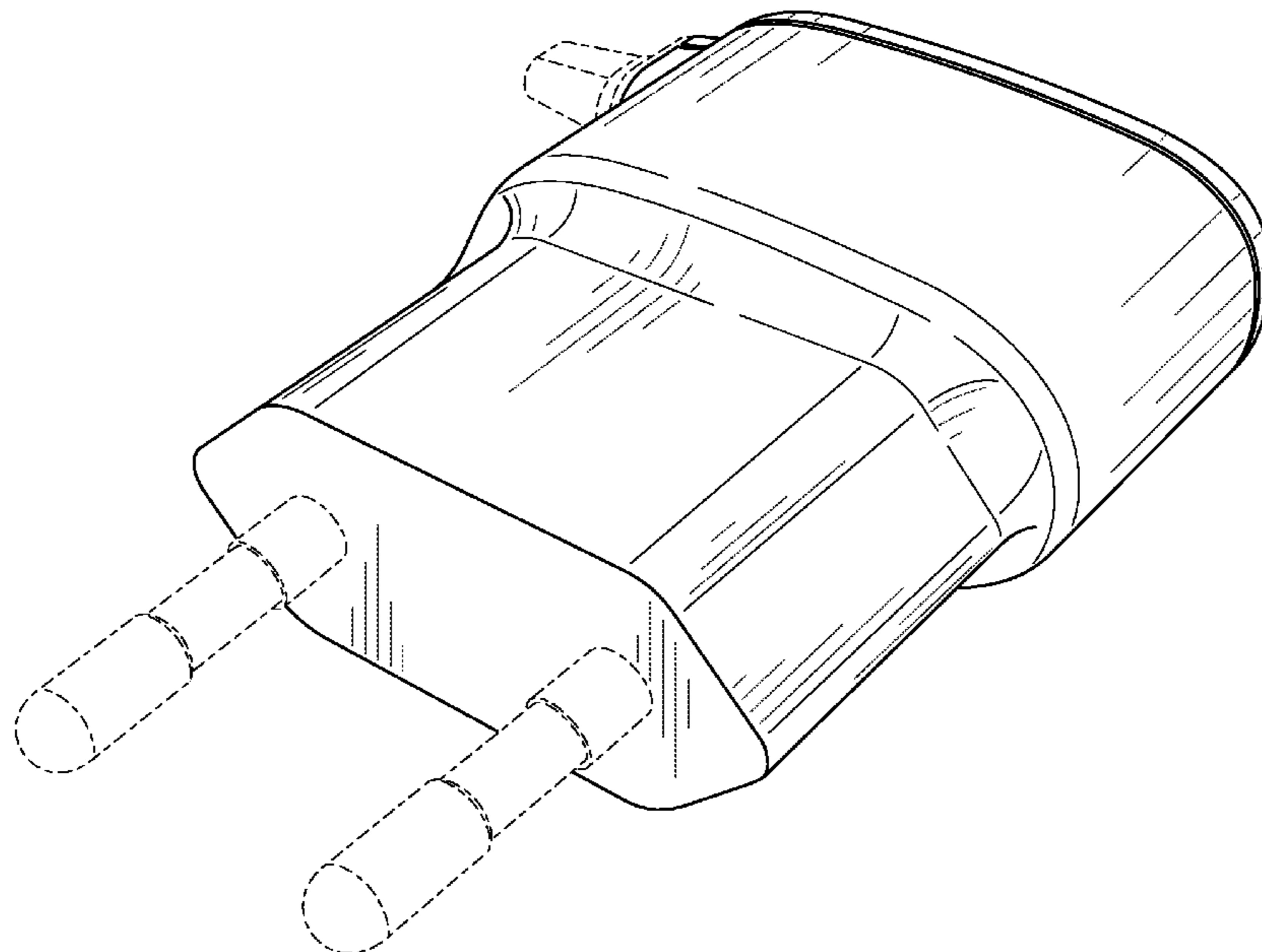
FIG. 5 is a left side view thereof;

FIG. 6 is a top view thereof; and,

FIG. 7 is a bottom view thereof.

The broken line showing of the environmental structure of the charger and the unshaded region within the broken lines is for illustrative purposes only and forms no part of the claimed design.

1 Claim, 5 Drawing Sheets



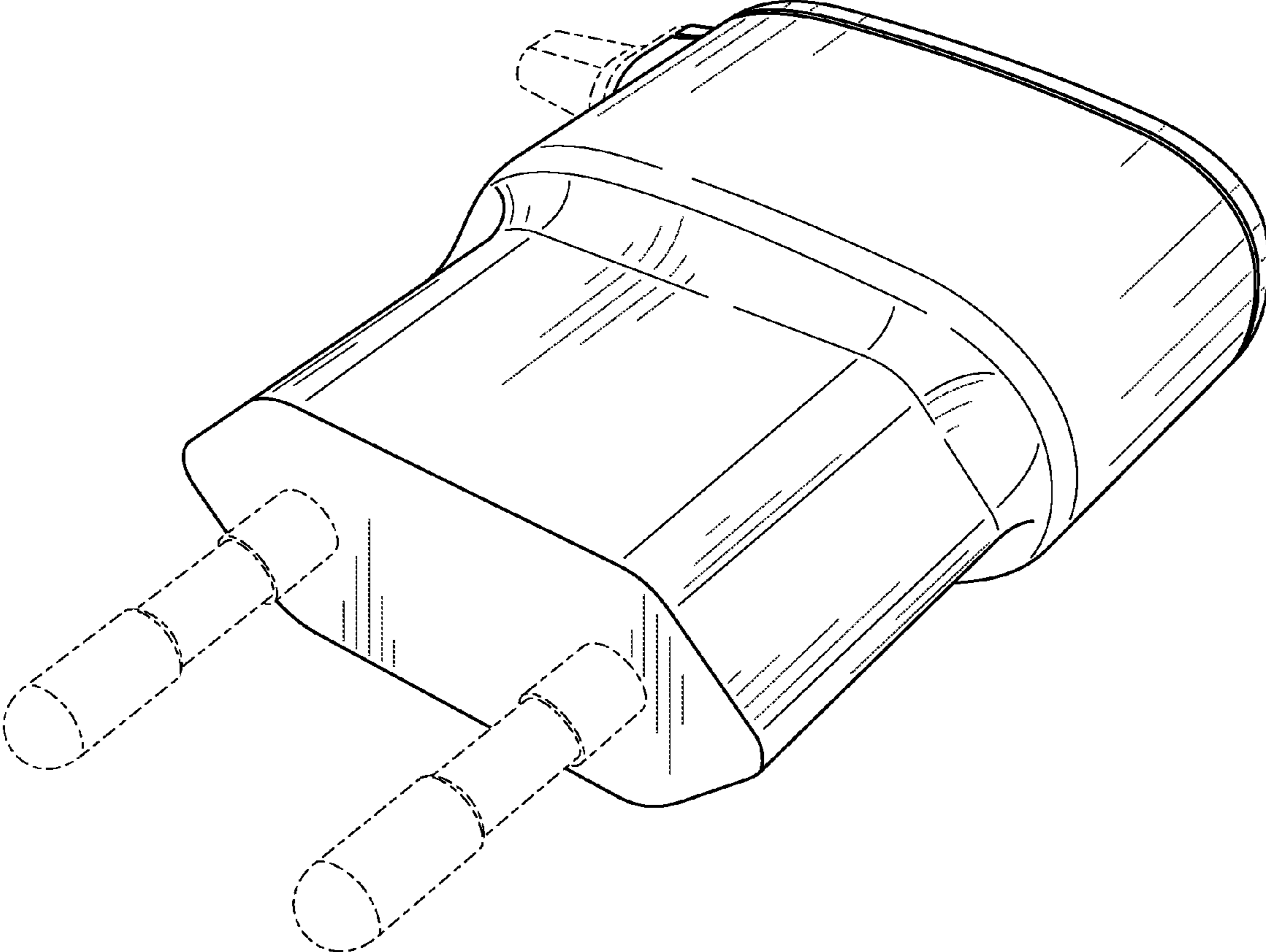


FIG. 1

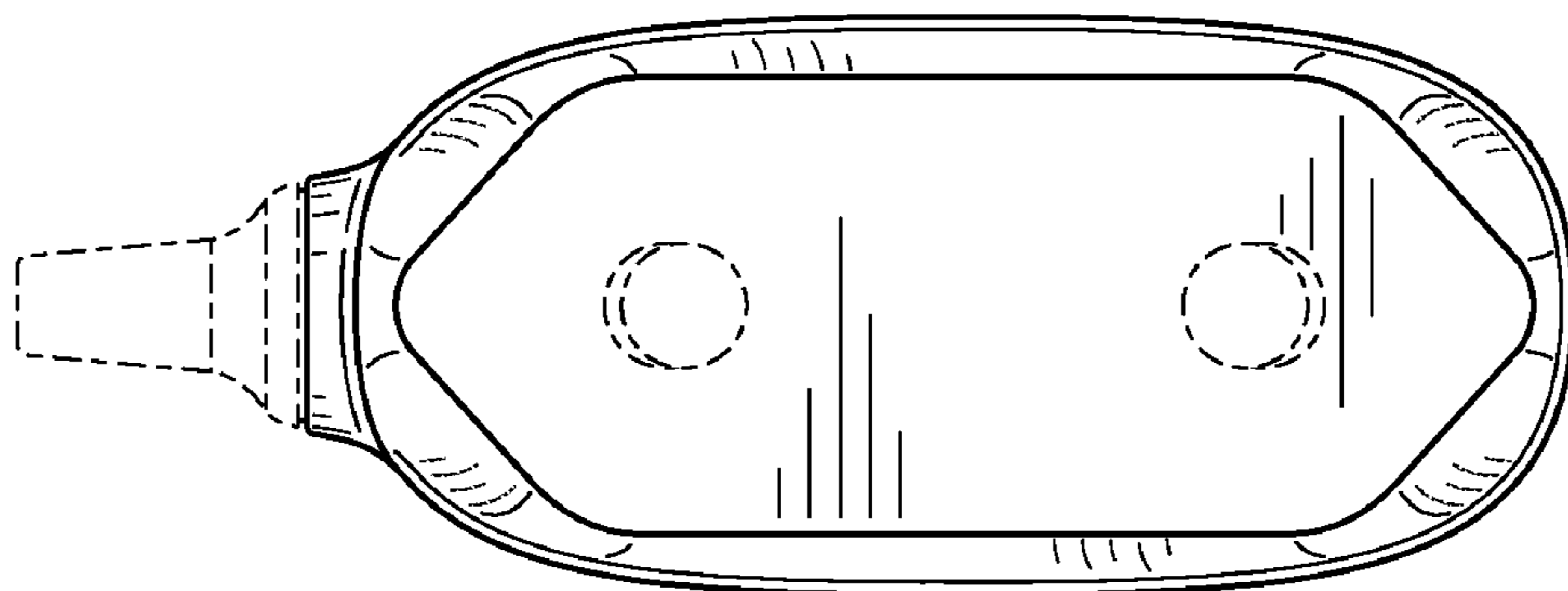


FIG. 2

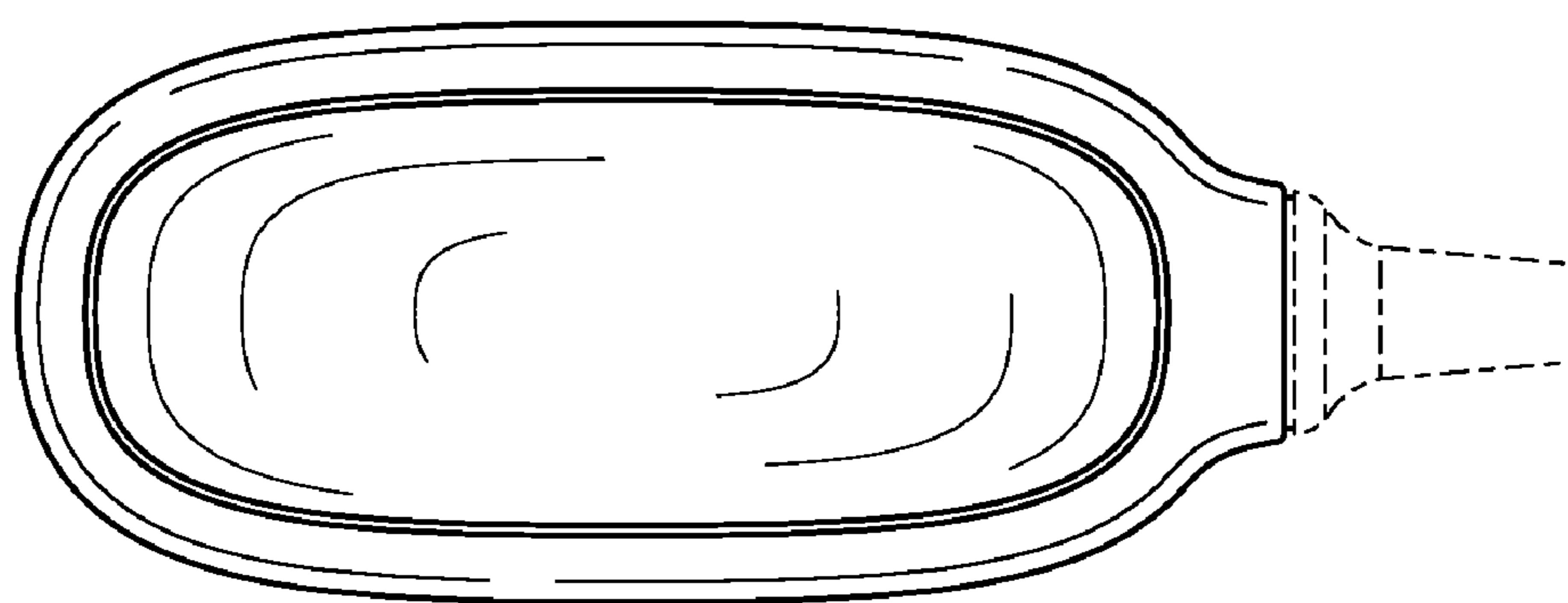


FIG. 3

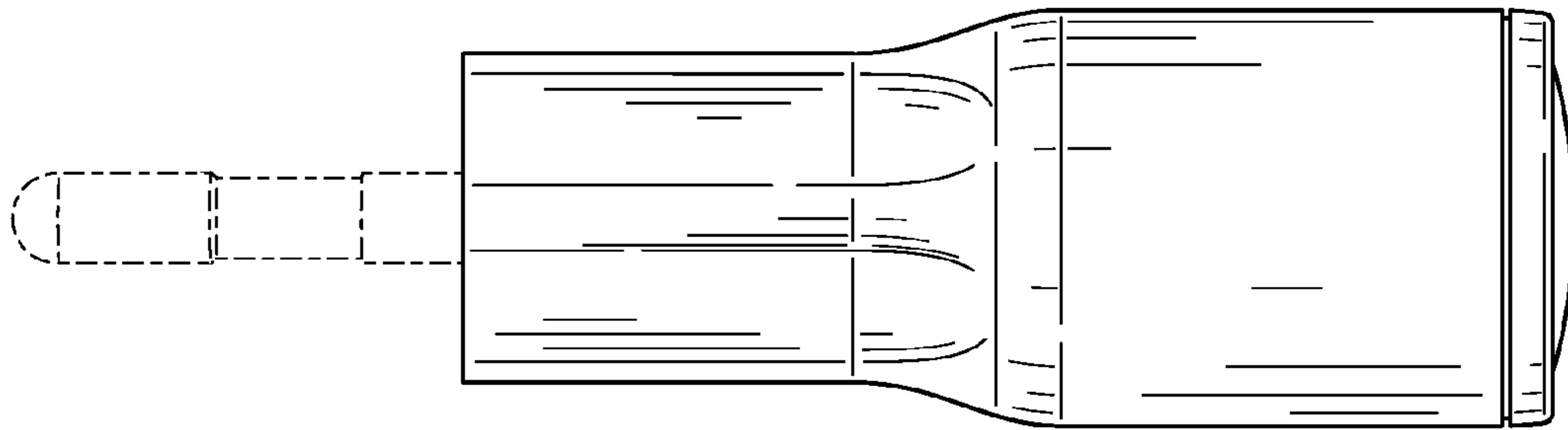


FIG. 4

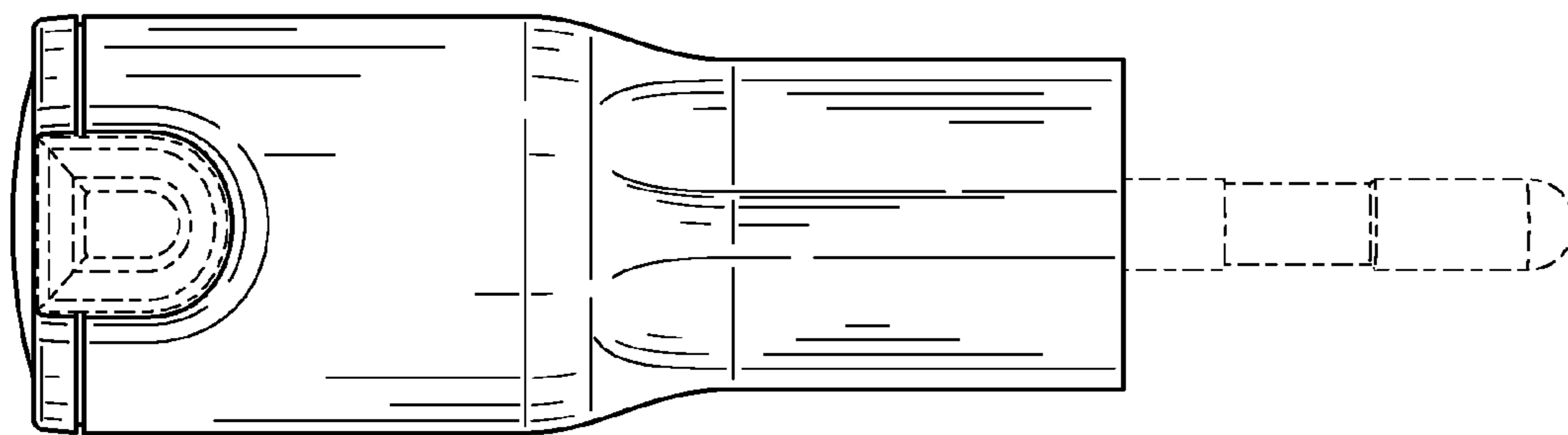


FIG. 5

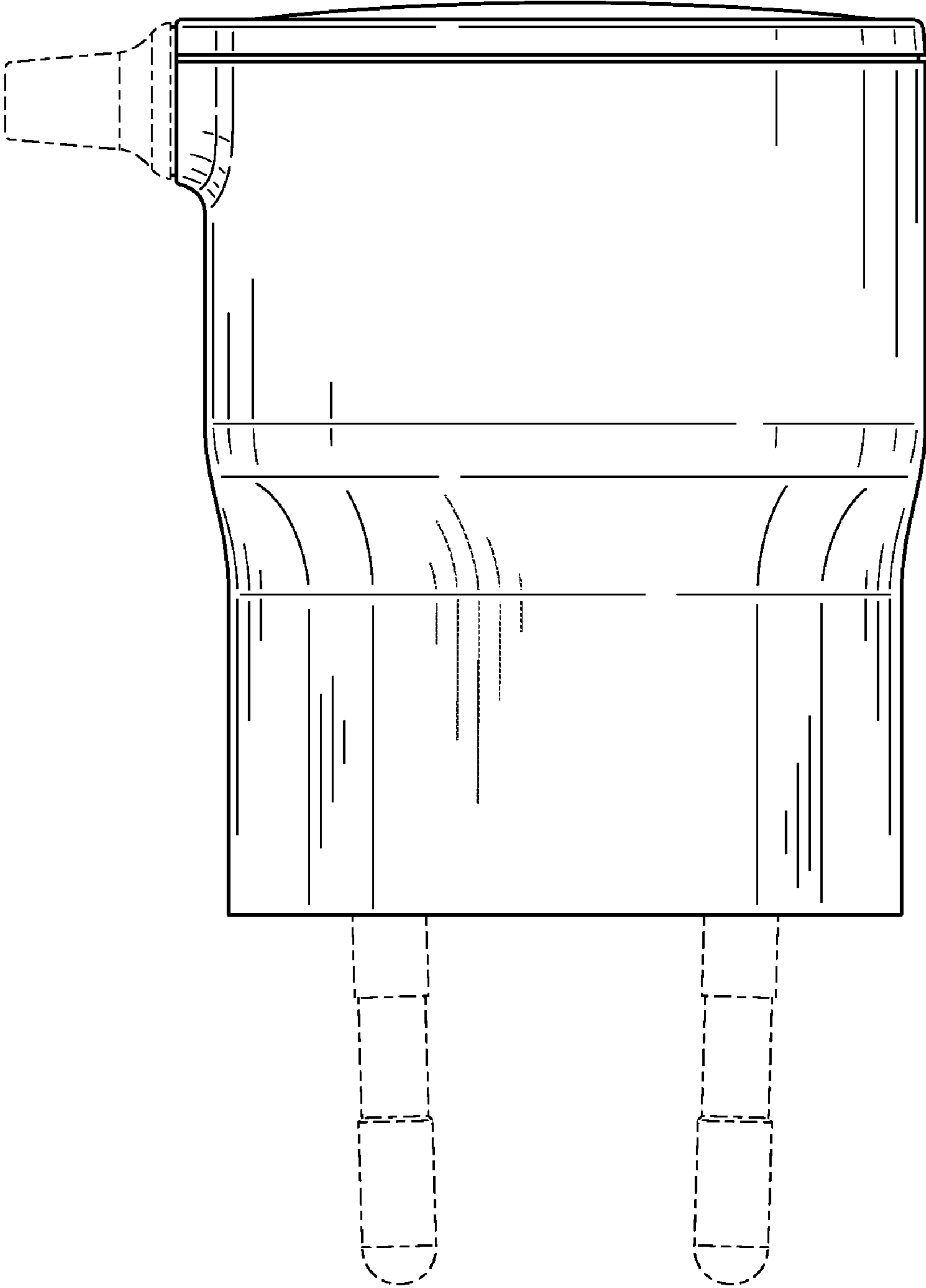


FIG. 6

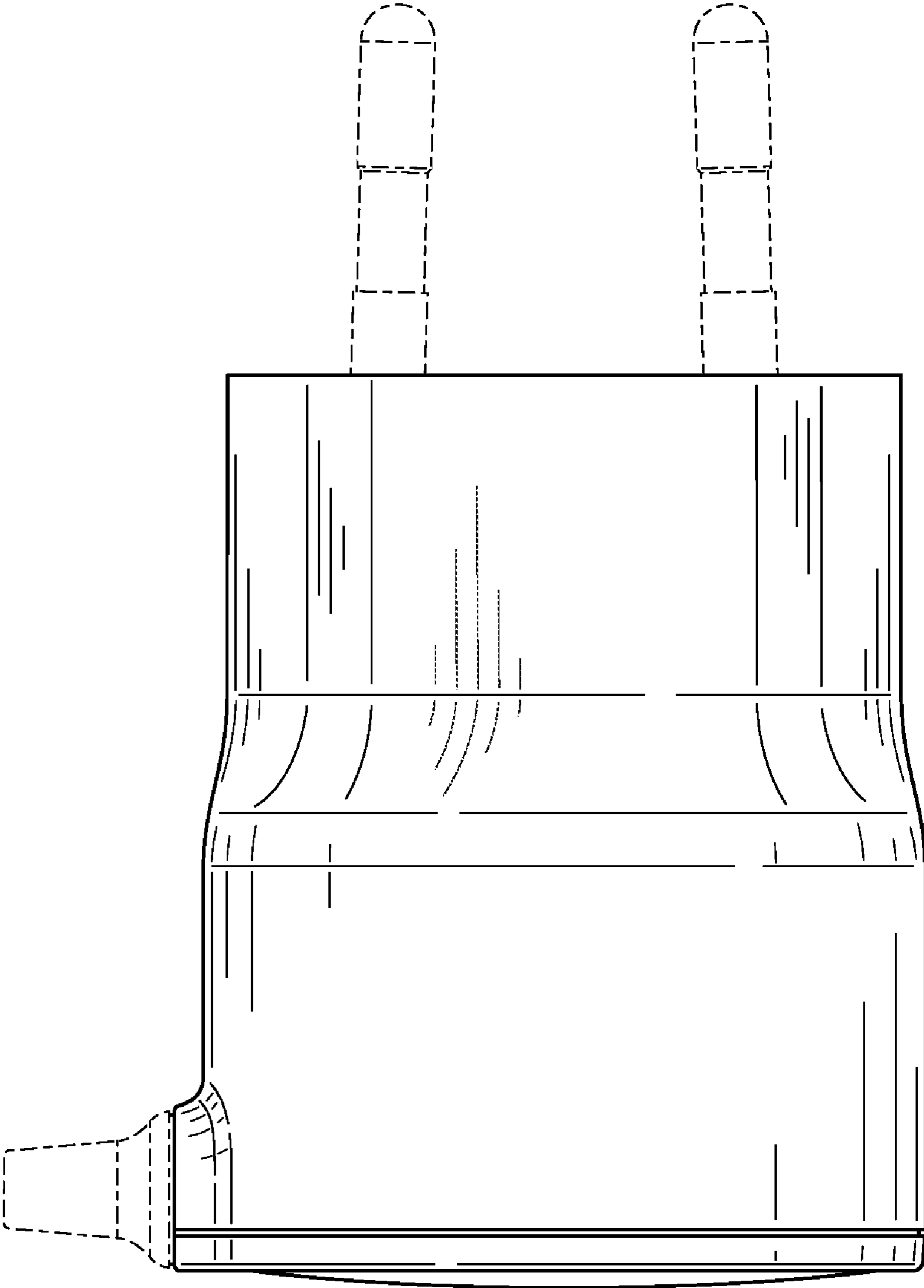


FIG. 7