



US00D614125S

(12) **United States Design Patent**
Tinius

(10) **Patent No.:** **US D614,125 S**

(45) **Date of Patent:** **** Apr. 20, 2010**

(54) **BATTERY**

(75) Inventor: **Michael Tinius**, Ulm (DE)

(73) Assignee: **Andreas Stihl AG & Co. KG**, Alemania (DE)

(**) Term: **14 Years**

(21) Appl. No.: **29/341,911**

(22) Filed: **Aug. 14, 2009**

(30) **Foreign Application Priority Data**

Feb. 16, 2009 (EM) 001094262-0002

(51) **LOC (9) Cl.** **13-02**

(52) **U.S. Cl.** **D13/103**

(58) **Field of Classification Search** D13/102-106,
D13/110, 118-119, 184; 429/96-100, 163,
429/176

See application file for complete search history.

(56) **References Cited**

U.S. PATENT DOCUMENTS

D301,228 S *	5/1989	Culbertson et al.	D13/103
D320,379 S *	10/1991	Culbertson	D13/103
D346,584 S *	5/1994	Taniguchi	D13/119
5,510,205 A *	4/1996	Ozer	429/91
6,521,370 B1 *	2/2003	Takeshita et al.	429/96
D475,679 S *	6/2003	Cooper et al.	D13/103
D522,451 S *	6/2006	Hayes et al.	D13/103
D556,680 S *	12/2007	Matsumoto	D13/103

D580,351 S *	11/2008	Elsmark et al.	D13/103
RE40,681 E *	3/2009	Pitzen et al.	429/97
D589,441 S *	3/2009	Van Wambeke	D13/103
D594,403 S *	6/2009	Yang	D13/103
D601,088 S *	9/2009	Scheucher	D13/103

* cited by examiner

Primary Examiner—Rosemary K Tarcza

(74) *Attorney, Agent, or Firm*—McGuire Woods LLP

(57) **CLAIM**

I claim the ornamental design for a battery, as shown and described.

DESCRIPTION

FIG. 1 is a right front side perspective view of the battery;

FIG. 2 is a front view of the battery shown in FIG. 1;

FIG. 3 is a back view of the battery shown in FIG. 1;

FIG. 4 is a right side view of the battery shown in FIG. 1;

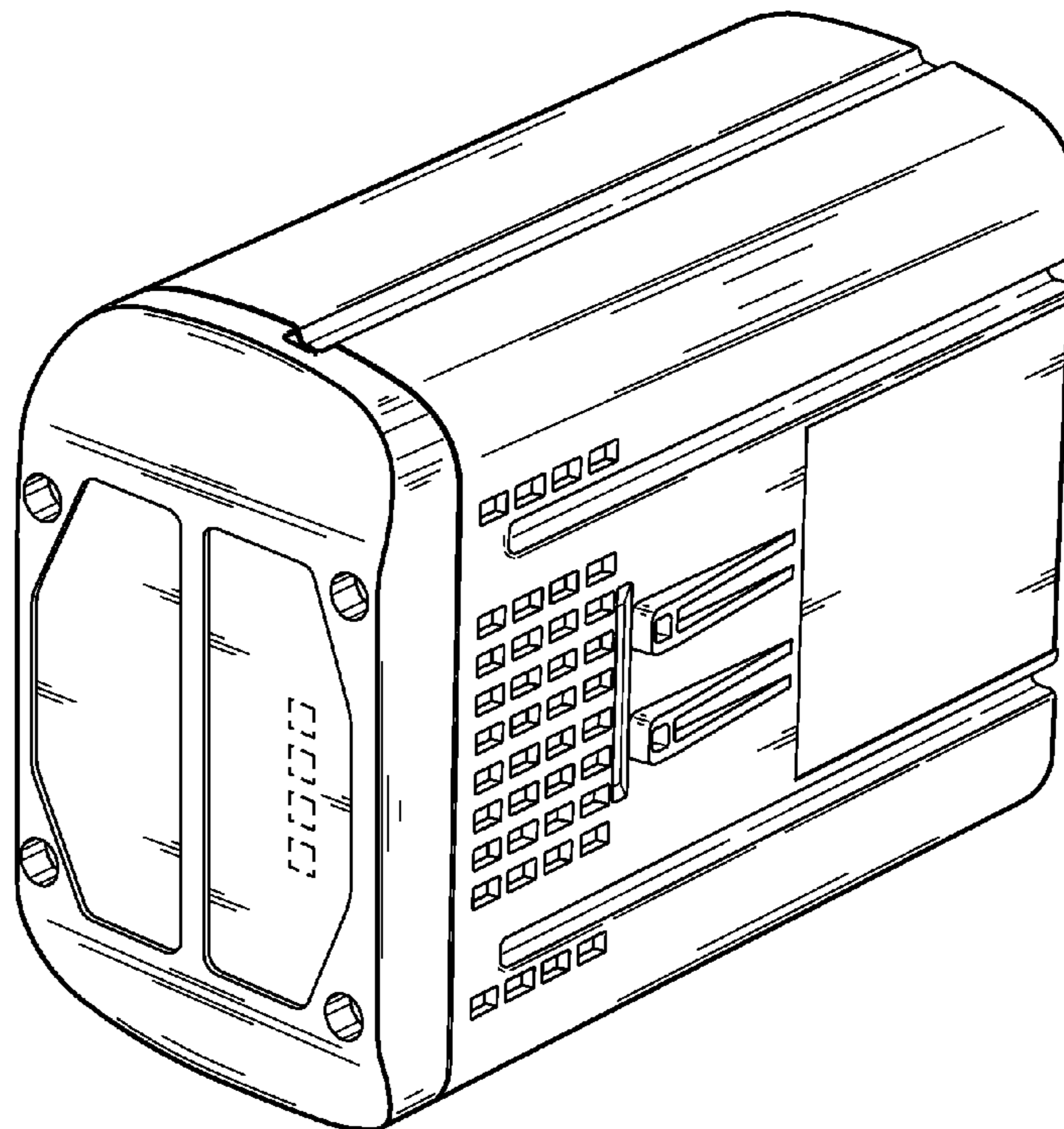
FIG. 5 is a left side view of the battery shown in FIG. 1;

FIG. 6 is a top view of the battery shown in FIG. 1; and,

FIG. 7 is a left front side perspective view of the battery shown in FIG. 1.

The subject matter shown in dashed lines is included for the purpose of illustrating environmental structure and forms no part of the claimed design. Any surfaces of the design not shown, including interior surfaces, form no part of the claimed design.

1 Claim, 7 Drawing Sheets



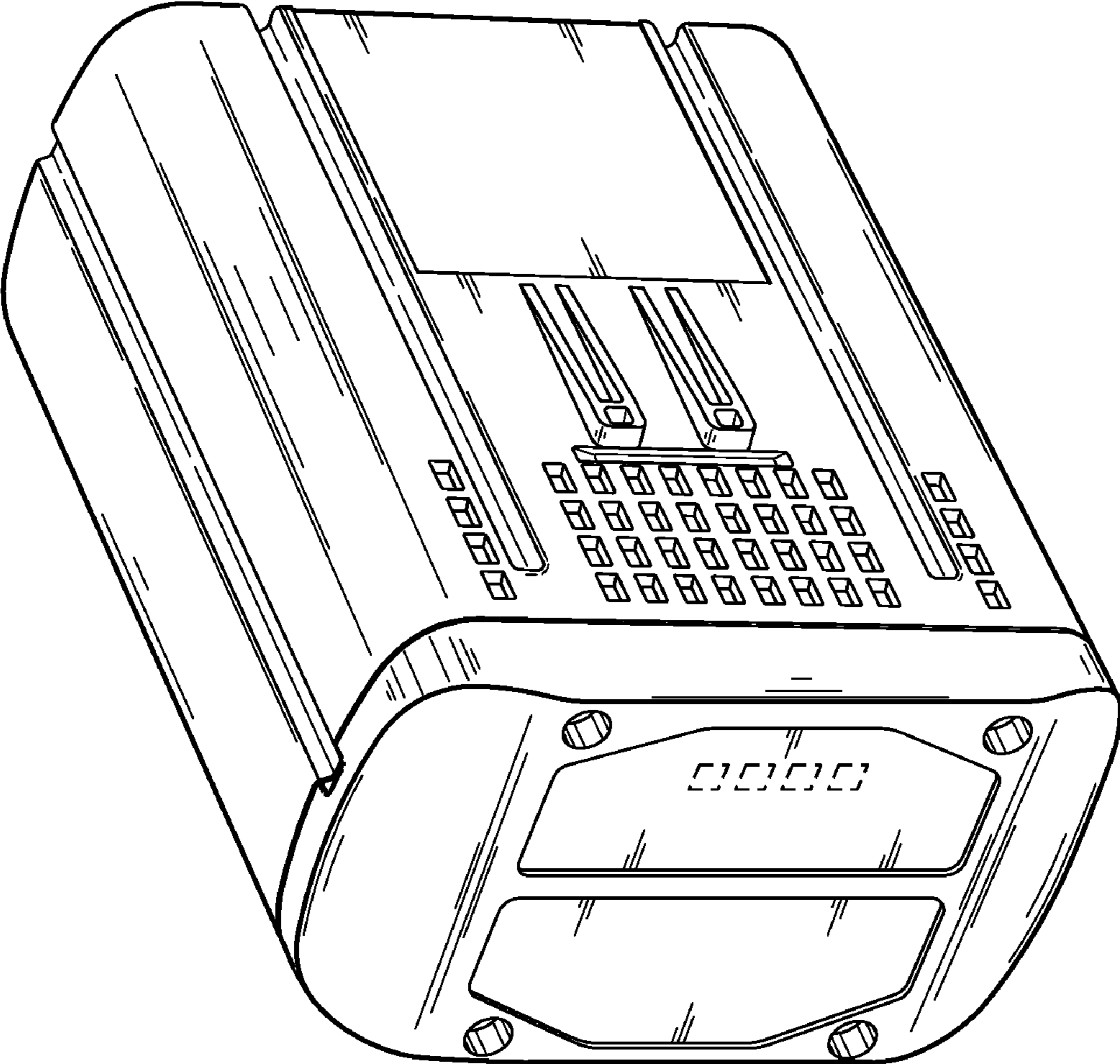


FIG. 1

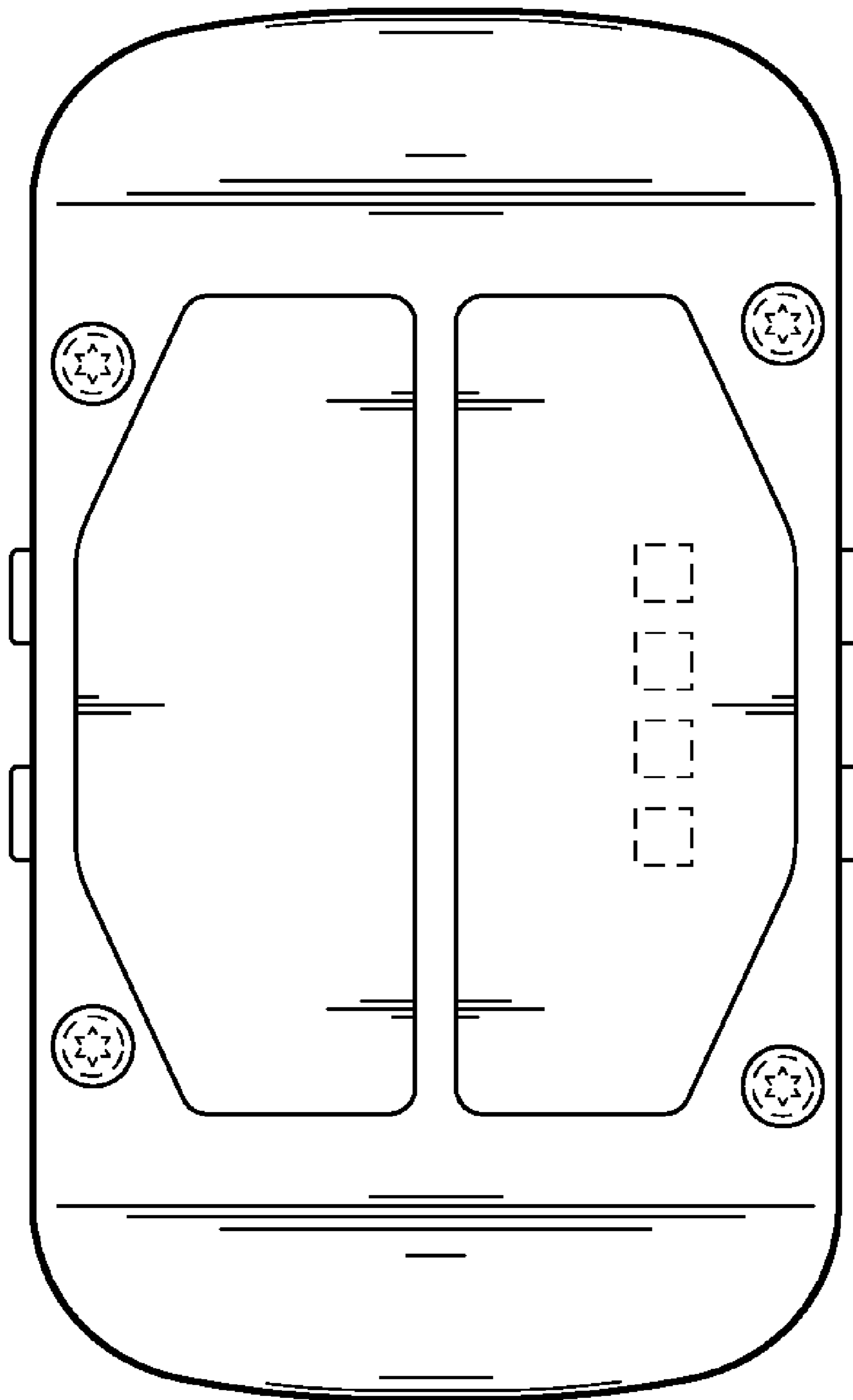


FIG. 2

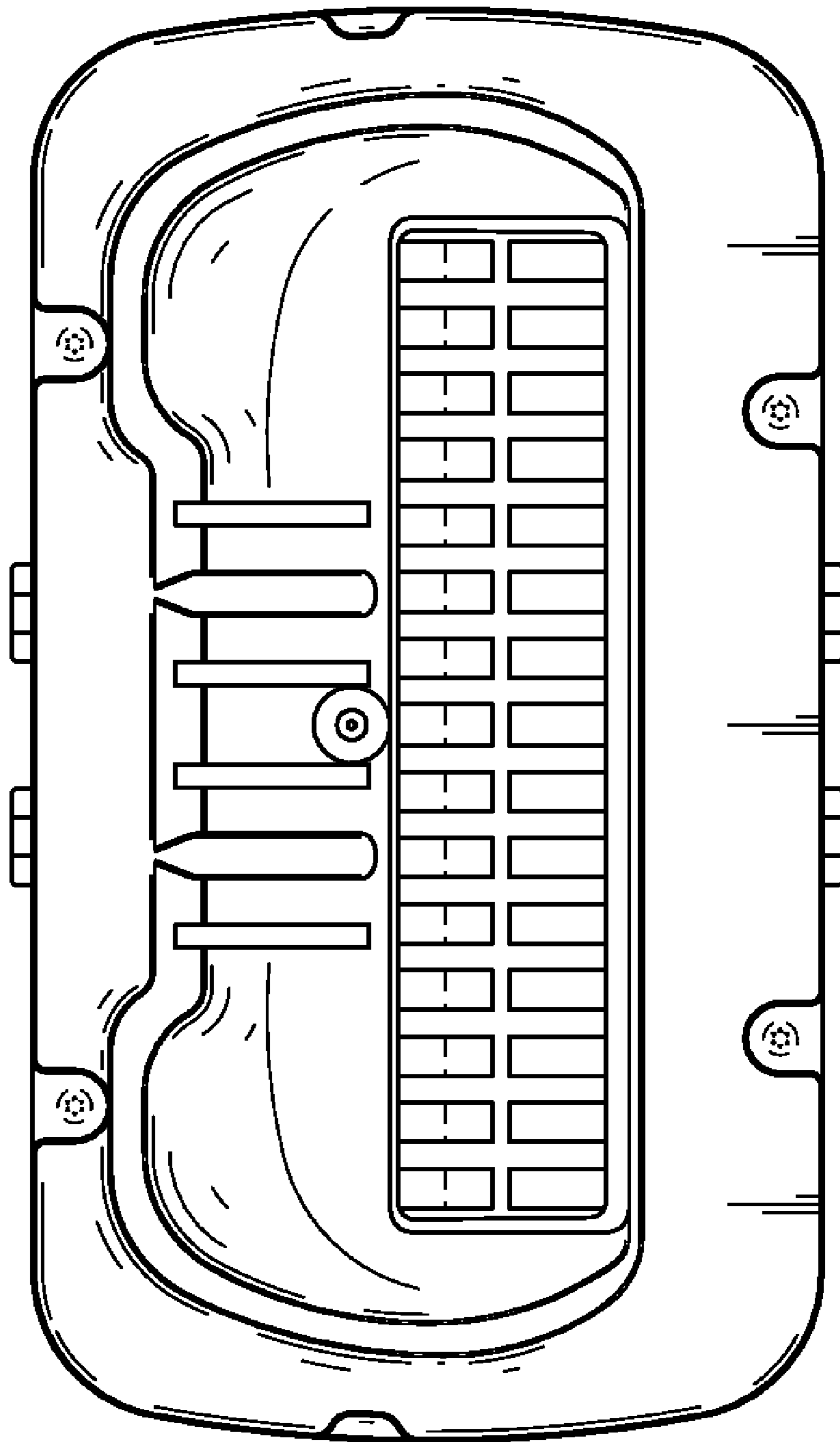


FIG. 3

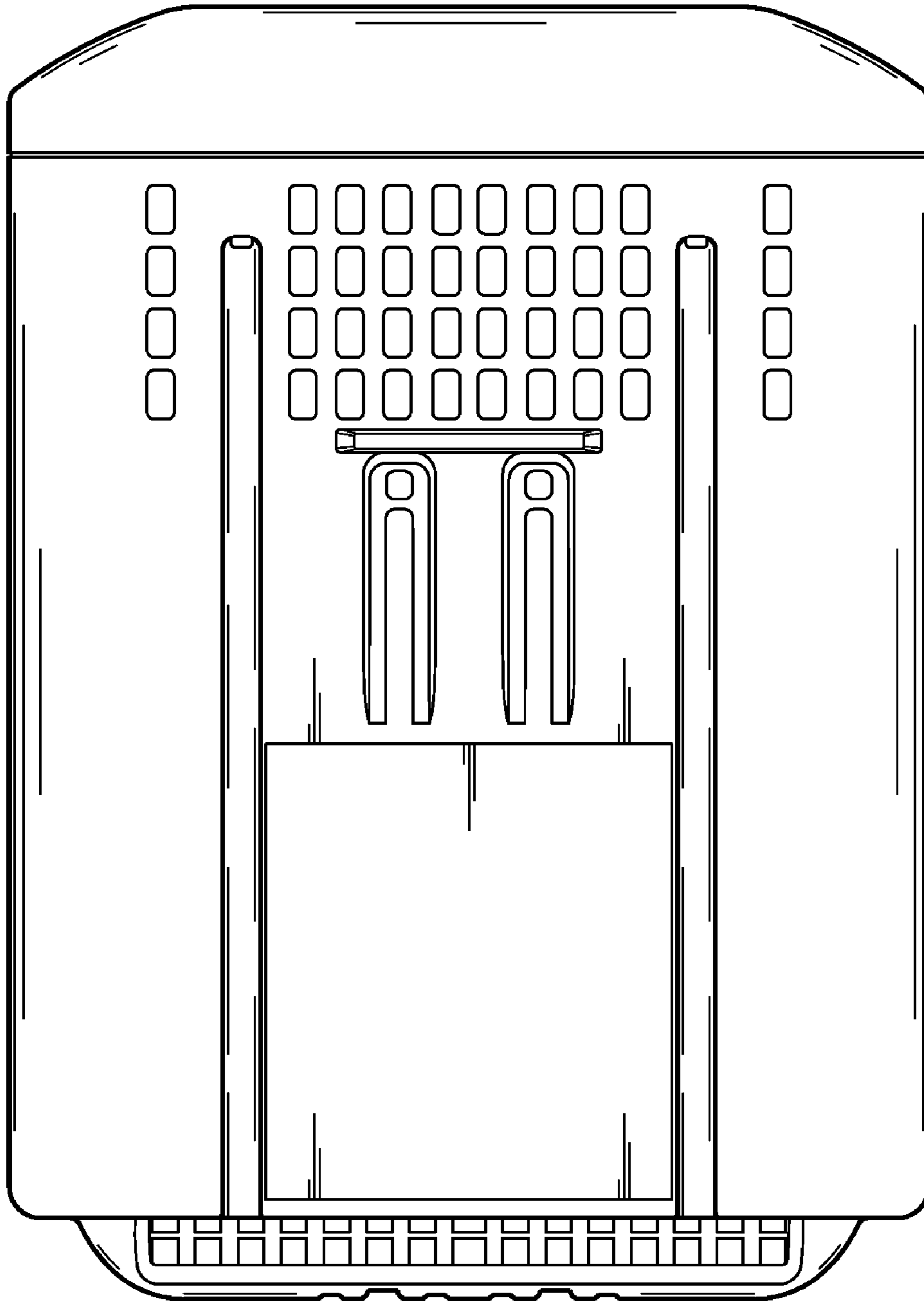


FIG. 4

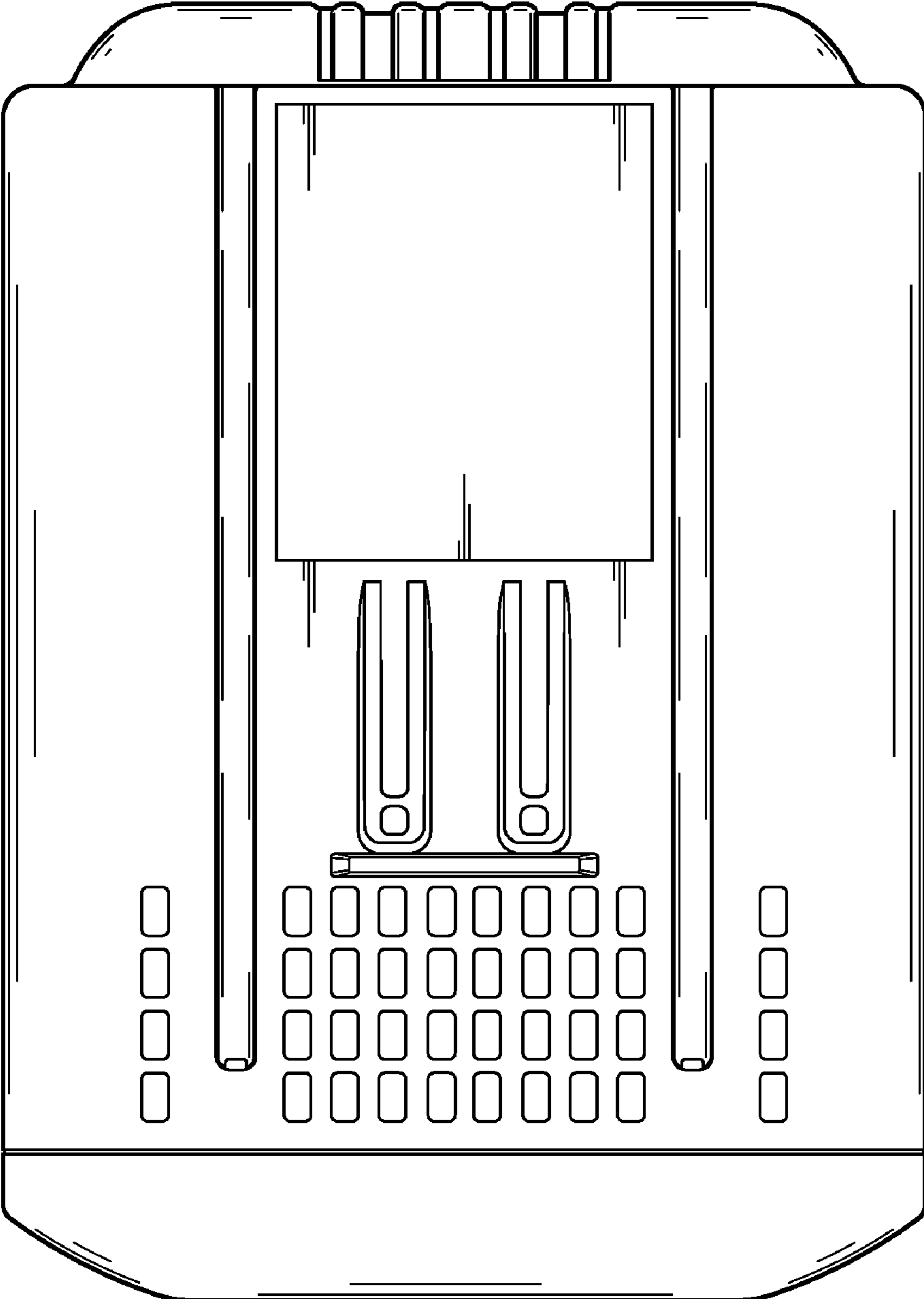


FIG. 5

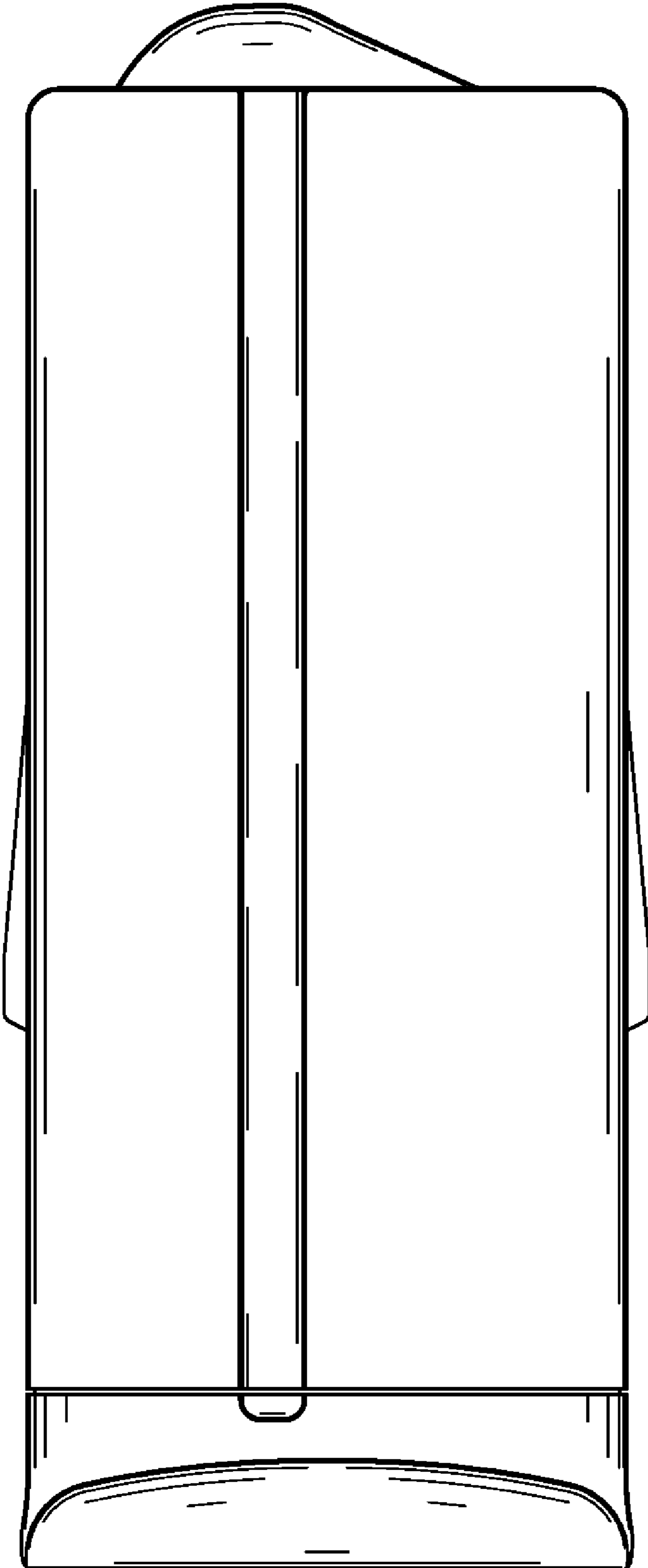


FIG. 6

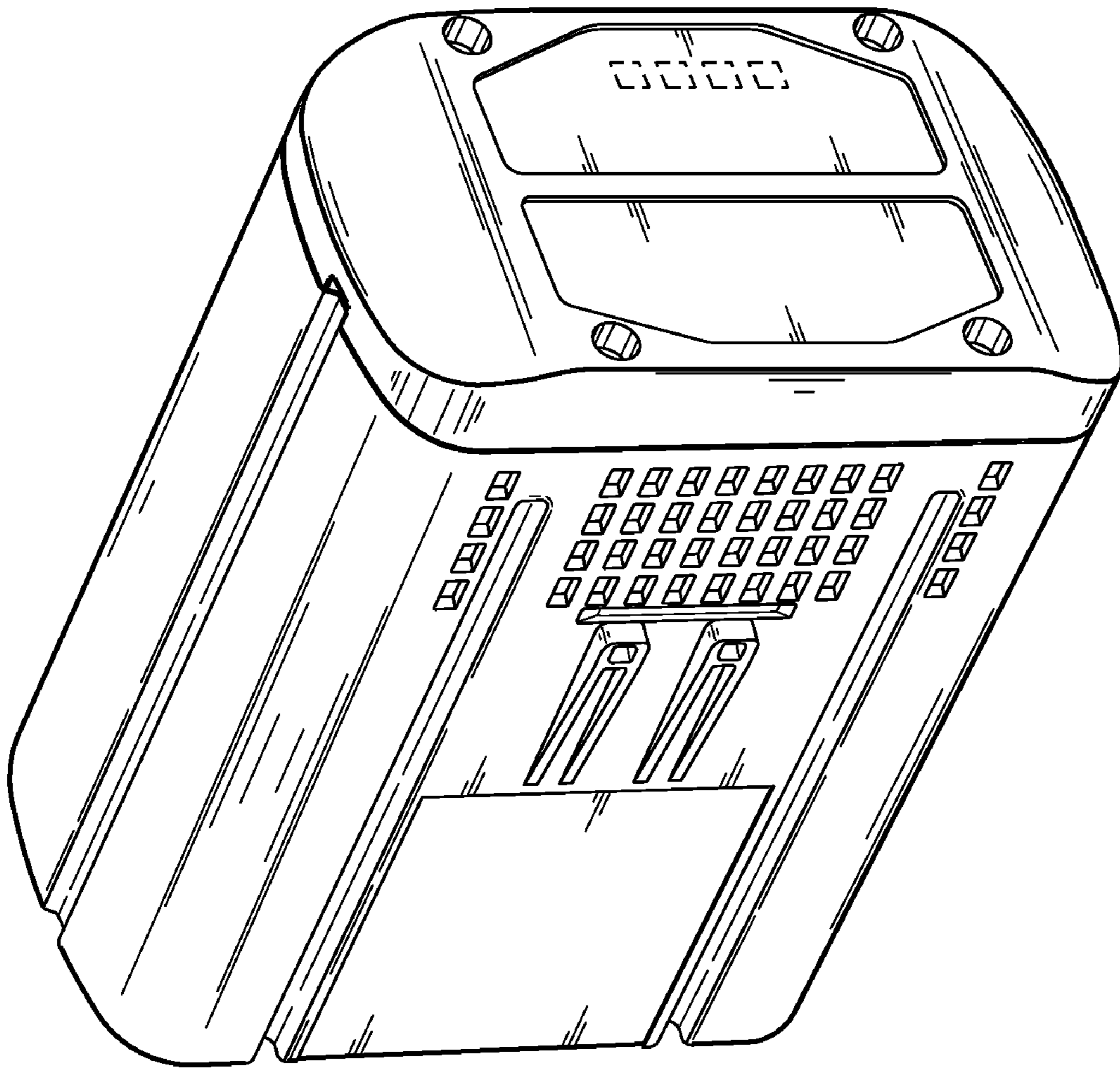


FIG. 7