



US00D614118S

(12) **United States Design Patent**
Wells et al.

(10) **Patent No.:** **US D614,118 S**

(45) **Date of Patent:** **** Apr. 20, 2010**

(54) **TIRE**

(75) Inventors: **Dale Eugene Wells**, Massillon, OH (US); **Maurice Jacob Frank**, North Canton, OH (US); **Robert Anthony Neubauer**, Medina, OH (US)

(73) Assignee: **The Goodyear Tire & Rubber Company**, Akron, OH (US)

(**) Term: **14 Years**

(21) Appl. No.: **29/310,357**

(22) Filed: **Aug. 11, 2008**

(51) **LOC (9) Cl.** **12-15**

(52) **U.S. Cl.** **D12/579**

(58) **Field of Classification Search** D12/503, D12/505, 533, 534, 535, 536, 537, 543, 547, D12/548, 549, 550, 564, 565, 566, 567, 568, D12/569-572, 579, 583-588, 594, 595, 596, D12/597, 598, 599, 600-604; 152/209.1, 152/209.8, 209.9, 209.18, 209.25, 209.28

See application file for complete search history.

(56) **References Cited**

U.S. PATENT DOCUMENTS

D400,479 S	11/1998	Baus	D12/147
D412,302 S	7/1999	Rayman et al.	D12/146
D444,107 S	6/2001	Rayman	D12/147
D457,487 S	5/2002	Rayman	D12/579
D457,489 S	5/2002	Rayman	D12/579
D457,854 S	5/2002	Rayman	D12/579
D458,585 S	6/2002	Rayman	D12/602
D458,895 S	6/2002	Rayman	D12/579
D481,668 S	11/2003	Hanna	D12/579
D498,729 S	11/2004	Neubauer et al.	D12/579
D565,500 S	* 4/2008	Whitney et al.	D12/535

D571,713 S	*	6/2008	Rodicq et al.	D12/579
D577,658 S	*	9/2008	Murata	D12/550
D580,347 S	*	11/2008	Lo	D12/579

* cited by examiner

Primary Examiner—Caron Veynar

Assistant Examiner—Katrina A Kile

(74) *Attorney, Agent, or Firm*—Richard B. O’Planick

(57) **CLAIM**

The ornamental design for a tire, as shown and described.

DESCRIPTION

FIG. 1 is a perspective view of a tire showing our new design, it being understood that the pattern repeats uniformly throughout the circumference of the tread;

FIG. 2 is a front elevational view thereof;

FIG. 3 is a right side elevational view thereof; the opposite side elevational view being identical thereto;

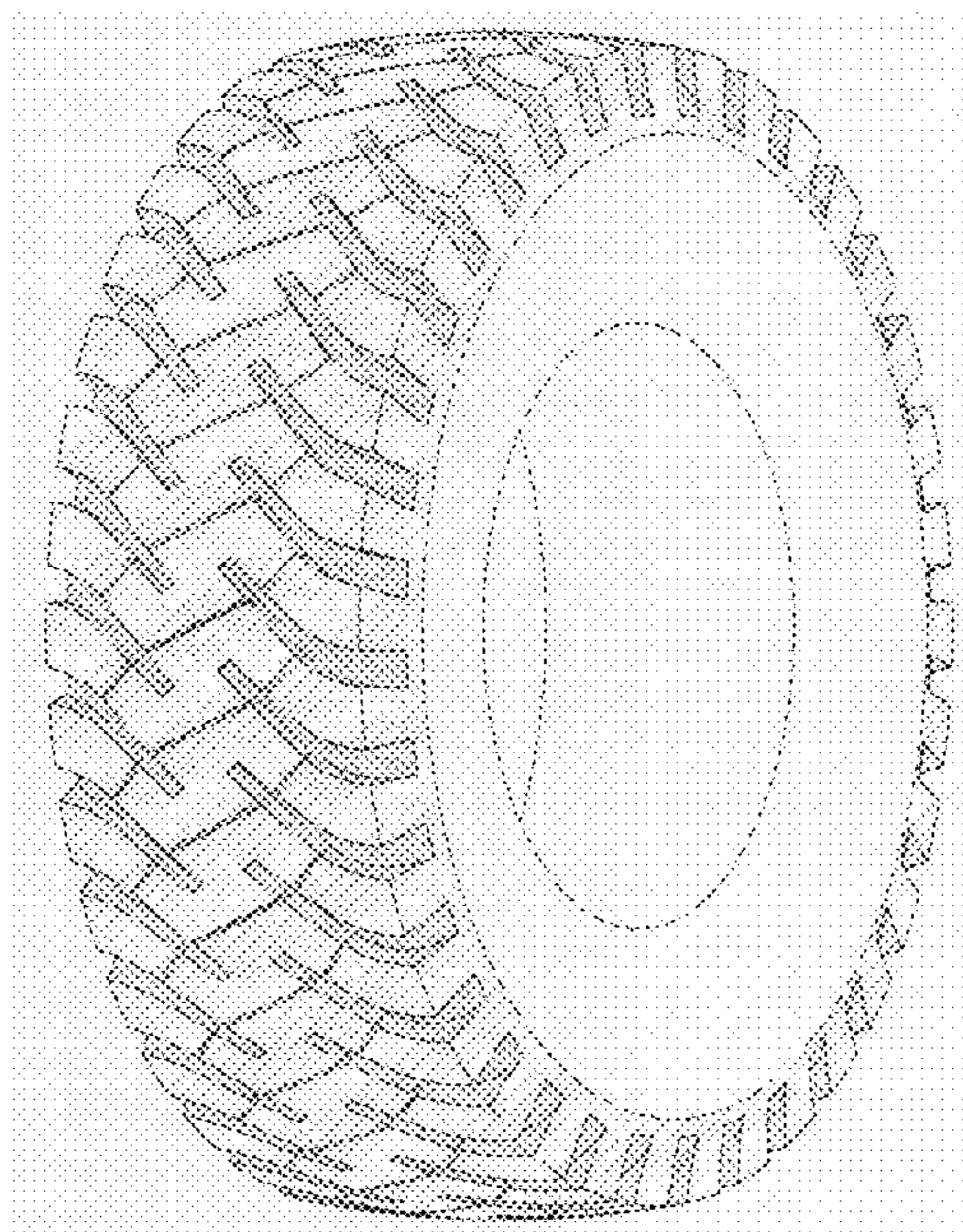
FIG. 4 is an enlarged fragmentary front elevational view thereof;

FIG. 5 is a perspective view of a second embodiment of a tire showing our new design, it being understood that the pattern repeats uniformly throughout the circumference of the tread and that the opposite side perspective view is identical thereto; and,

FIG. 6 is a front elevational view of a second embodiment, it being understood that an enlarged fragmentary view thereof would be substantially identical to that shown in FIG. 4, with the exception of the inclusion of the sidewall in solid lines.

In the drawings the broken lines defining the sidewall, inner bead and the peripheral boundary between the tire tread and the sidewall in FIGS. 1 through 4 are for illustrative purposes only and form no part of the claimed design.

1 Claim, 6 Drawing Sheets



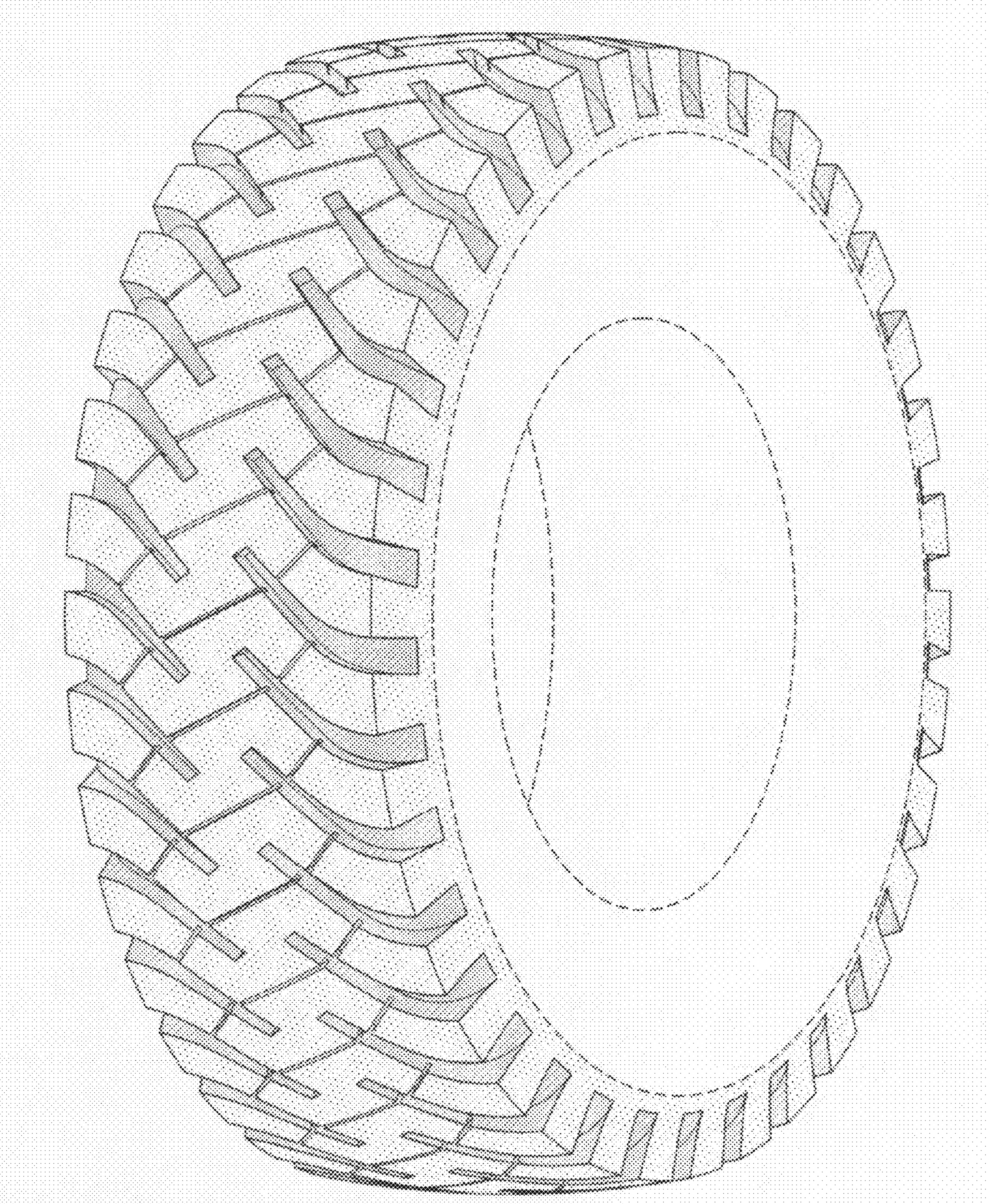


FIG-1

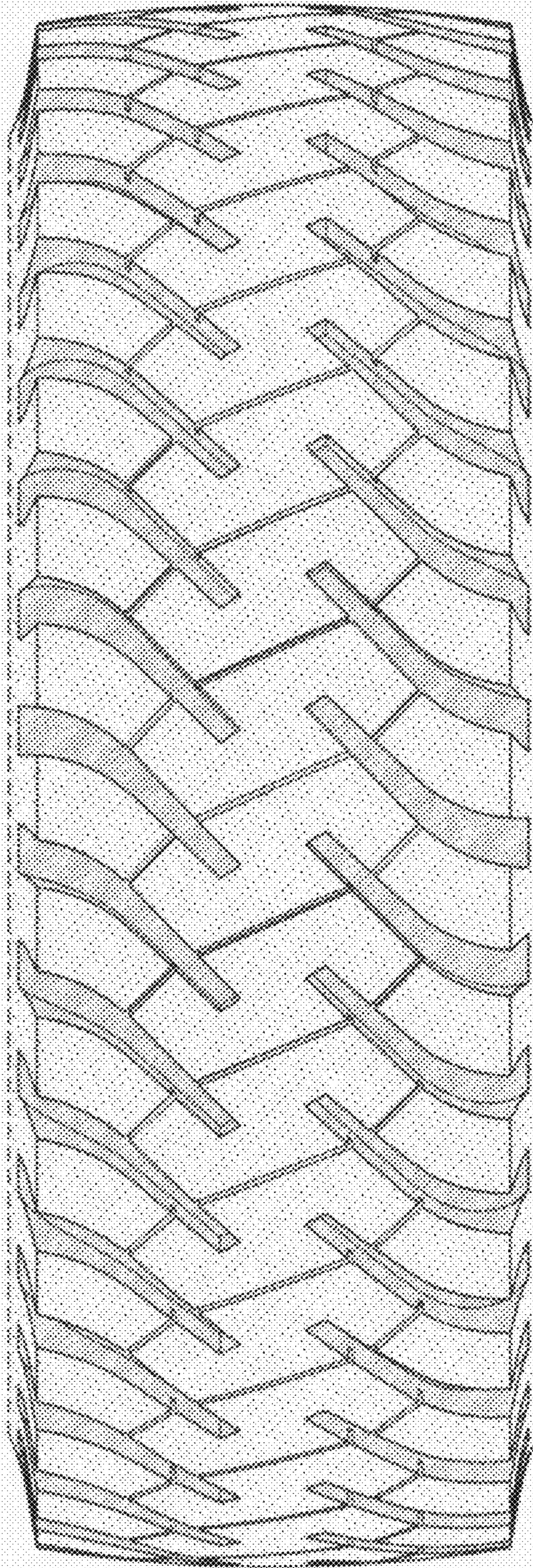


FIG-2

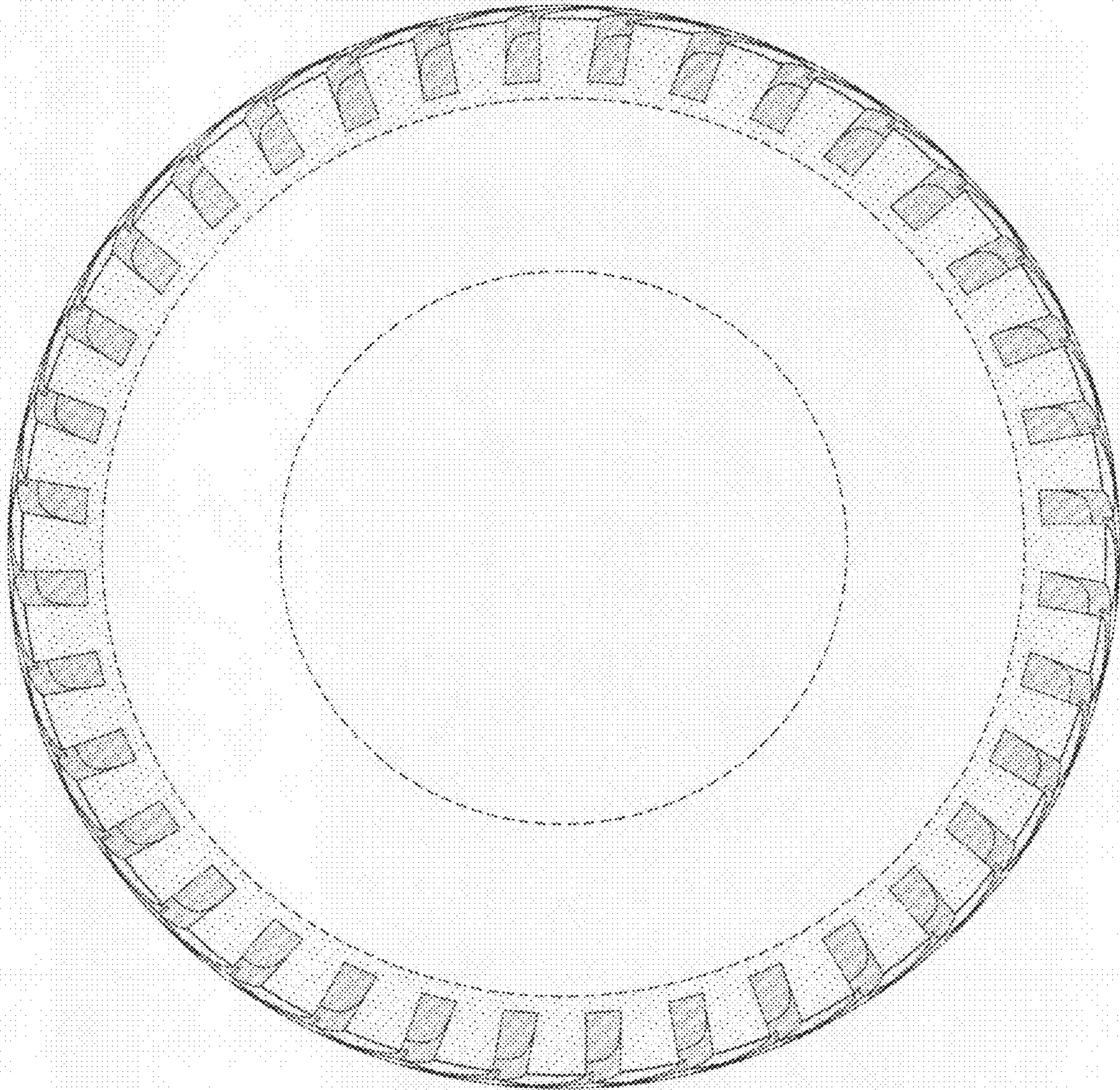


FIG-3

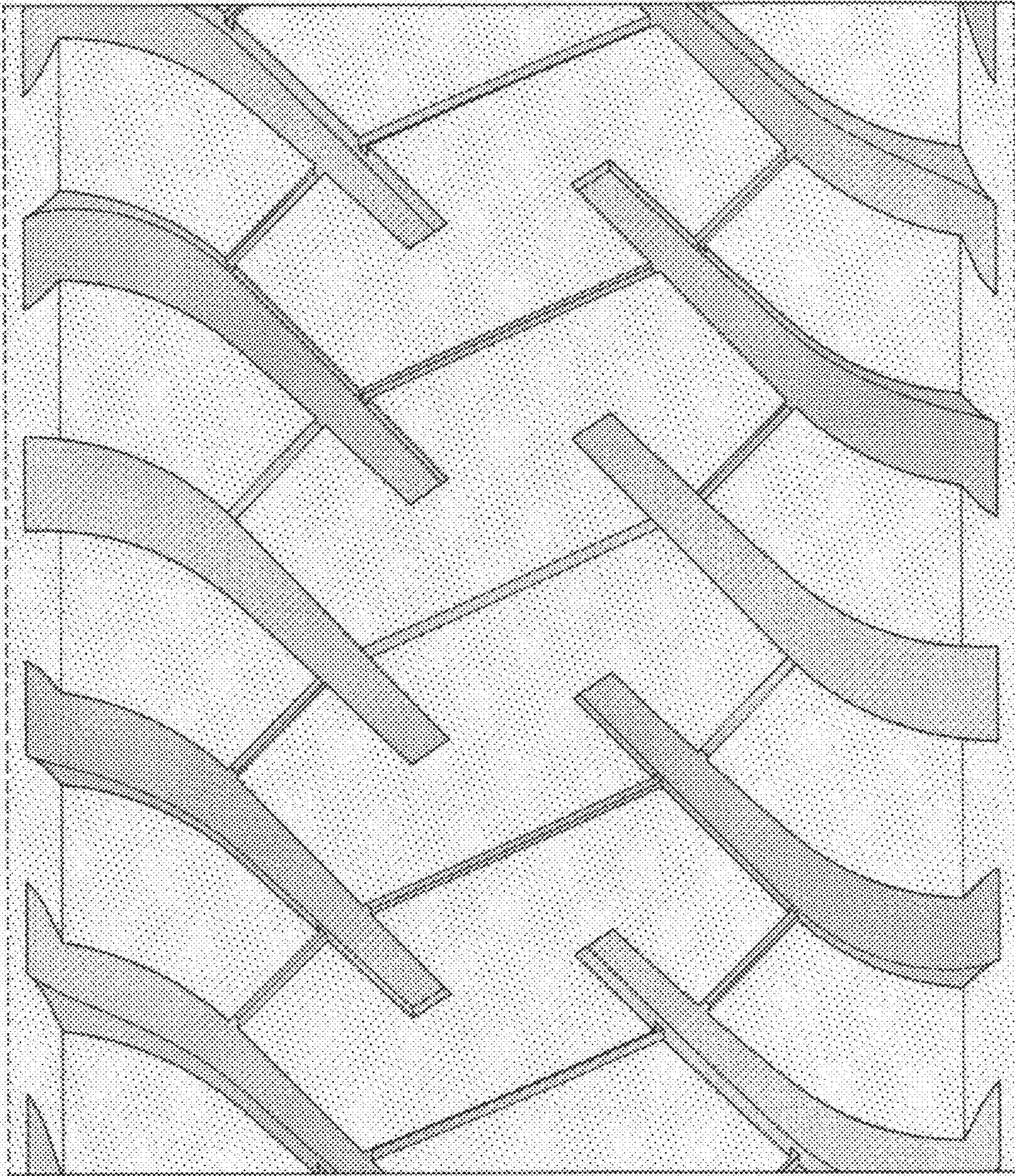


FIG-4



FIG-5

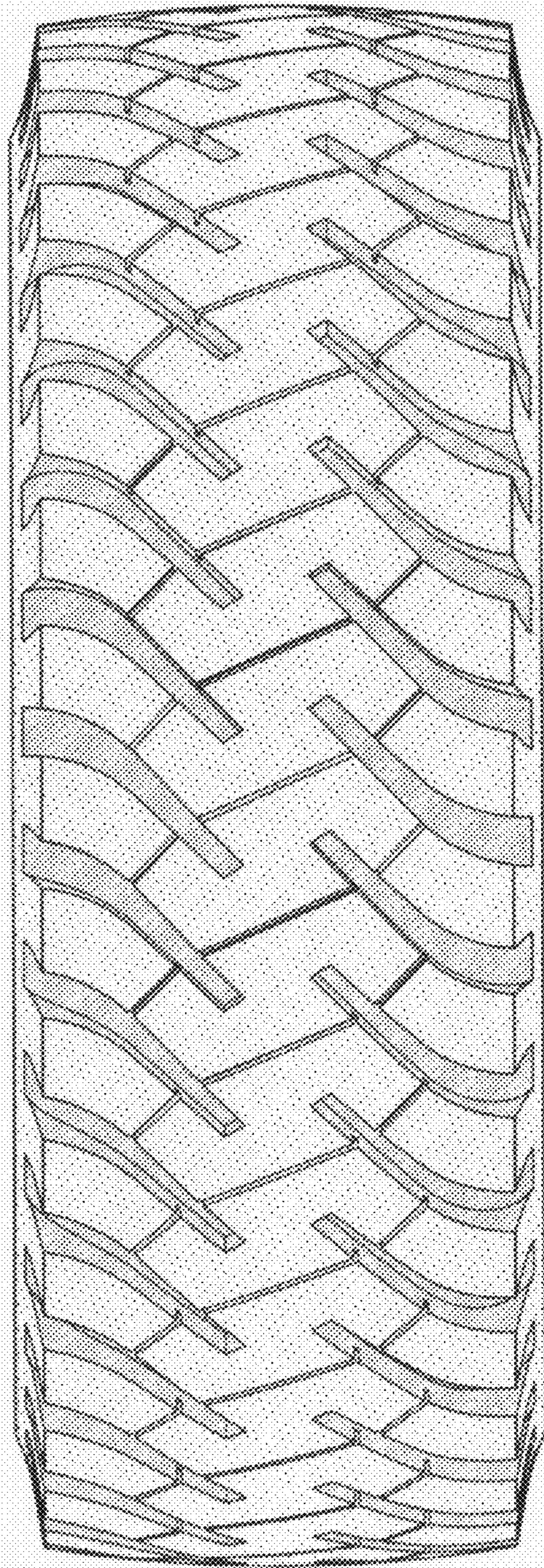


FIG-6