



US00D614114S

(12) **United States Design Patent**
Kim

(10) **Patent No.:** **US D614,114 S**
(45) **Date of Patent:** **** Apr. 20, 2010**

(54) **AUTOMOTIVE WHEEL**

(75) Inventor: **Paul J. Kim**, Industry, CA (US)

(73) Assignee: **The Wheel Group**, Industry, CA (US)

(**) Term: **14 Years**

(21) Appl. No.: **29/348,448**

(22) Filed: **Jan. 7, 2010**

(51) **LOC (9) Cl.** **12-16**

(52) **U.S. Cl.** **D12/211**

(58) **Field of Classification Search** D12/204-213;
301/37.101, 64.101, 65, 64.201

See application file for complete search history.

(56) **References Cited**

U.S. PATENT DOCUMENTS

D501,441 S	*	2/2005	Rosenbohm	D12/211
D570,274 S	*	6/2008	Scheu	D12/211
D574,311 S	*	8/2008	Chung	D12/209
D581,852 S	*	12/2008	Scheu	D12/211

D588,517 S	*	3/2009	Aroney	D12/211
D590,322 S	*	4/2009	Rak	D12/211
D591,662 S	*	5/2009	Imai	D12/211
D593,477 S	*	6/2009	Chen et al.	D12/211
D594,804 S	*	6/2009	Laengerer	D12/211
D595,201 S	*	6/2009	Antoniadis et al.	D12/211
D606,478 S	*	12/2009	Bourgeois	D12/211

* cited by examiner

Primary Examiner—Stacia Cadmus

(57) **CLAIM**

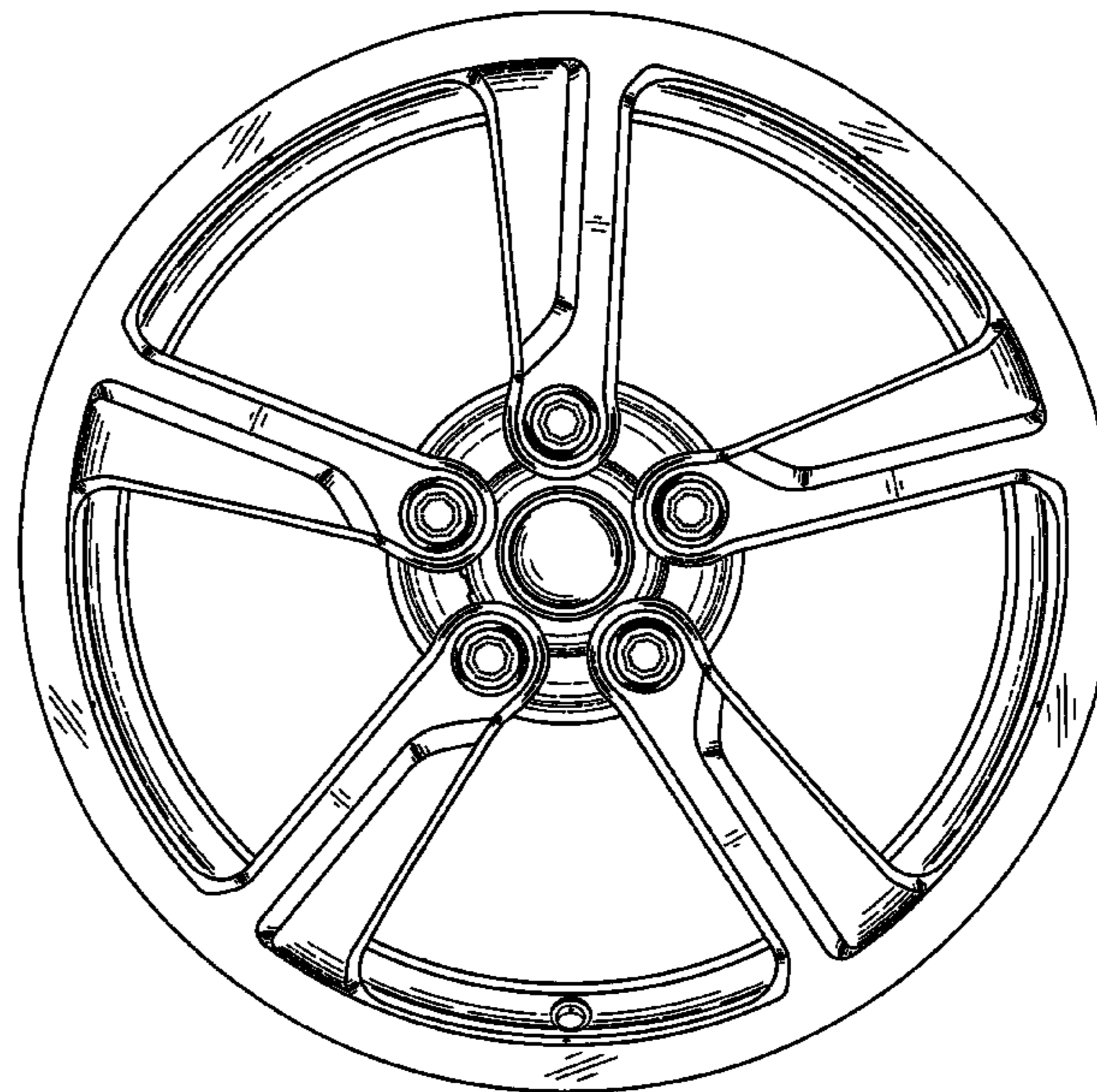
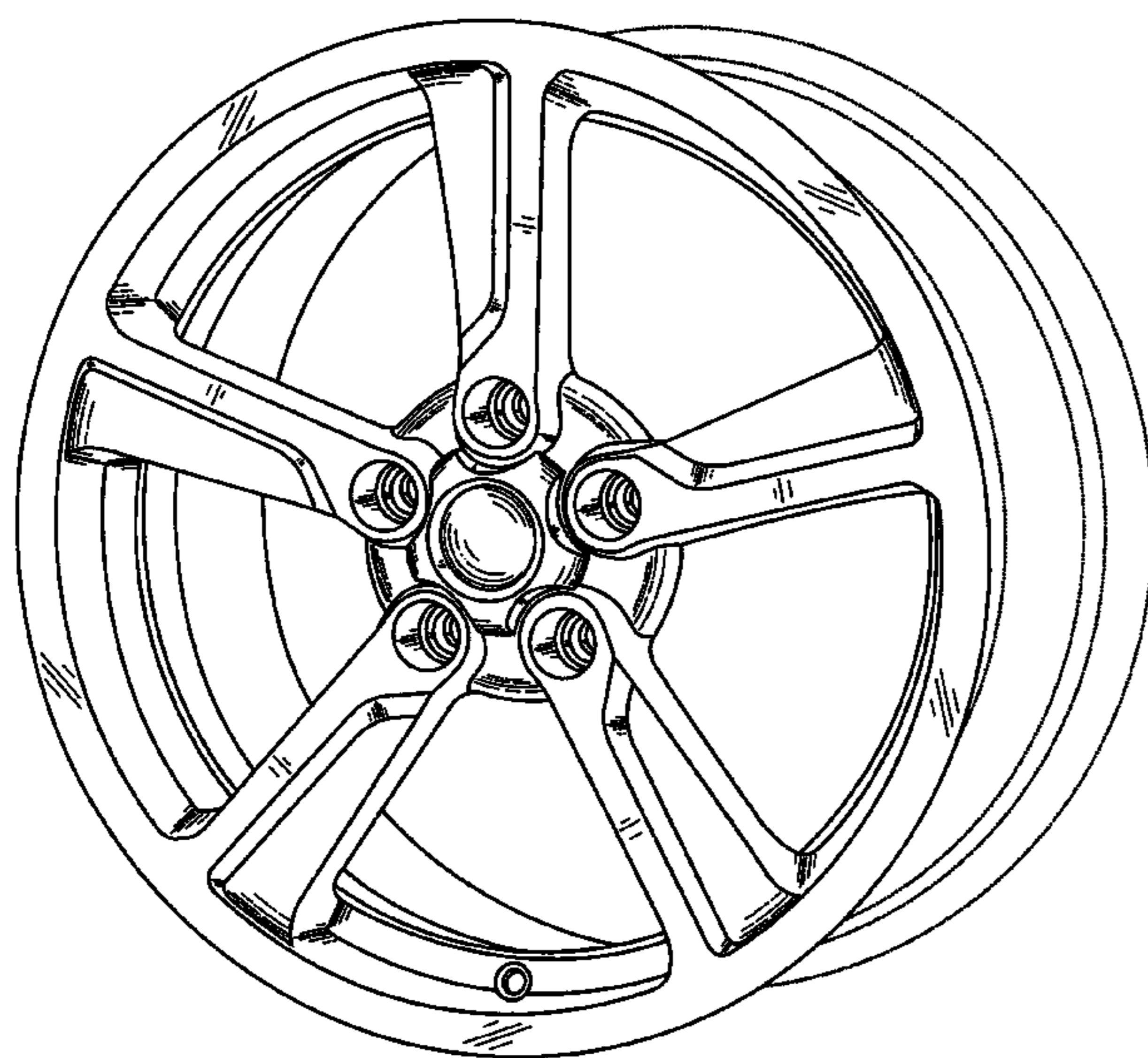
The ornamental design for an automotive wheel, as shown and described.

DESCRIPTION

FIG. 1 is a perspective view of an automotive wheel showing my new design; and,

FIG. 2 is a front elevational view of an automotive wheel showing the design herein described.

1 Claim, 2 Drawing Sheets



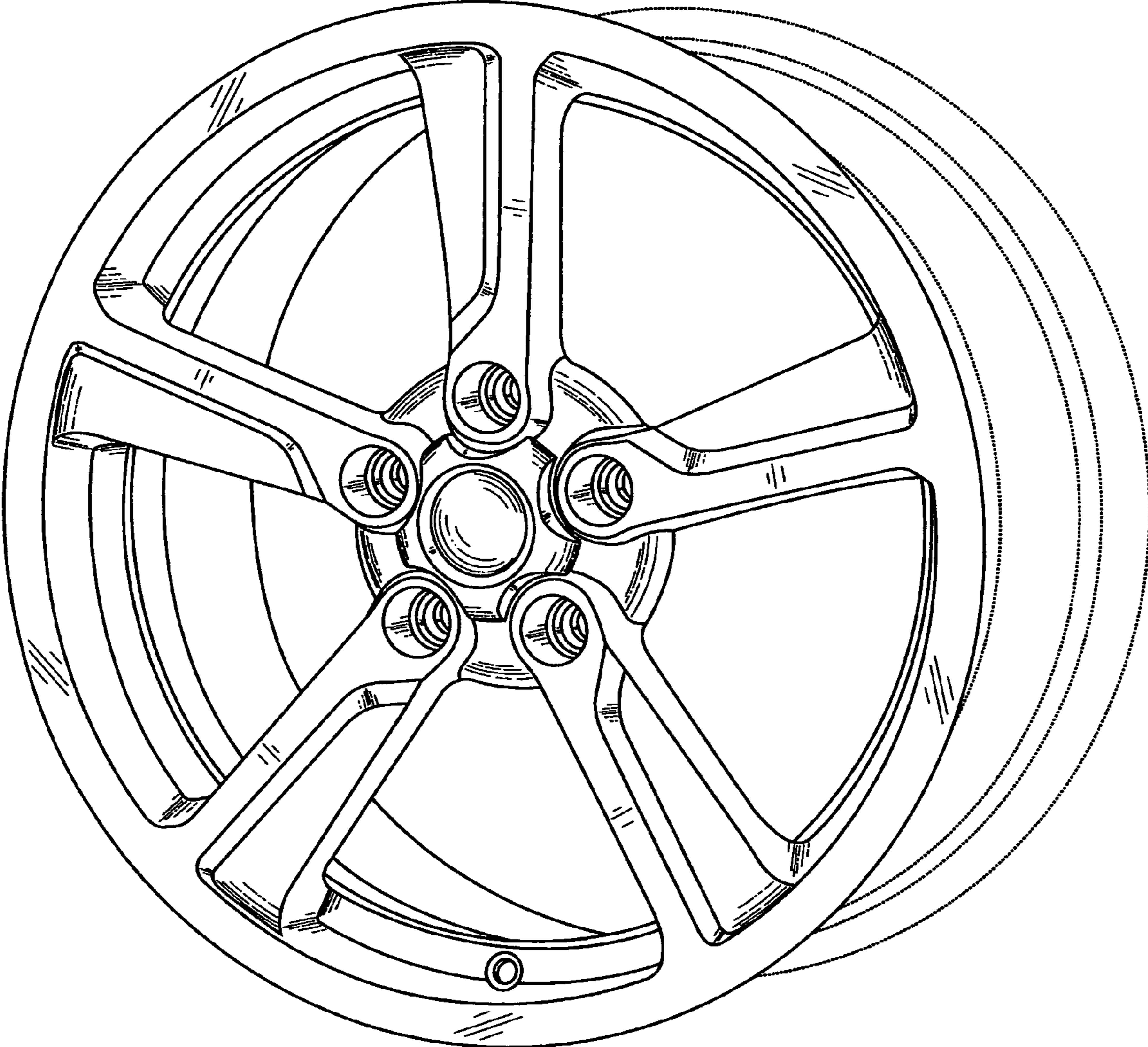


FIG.1

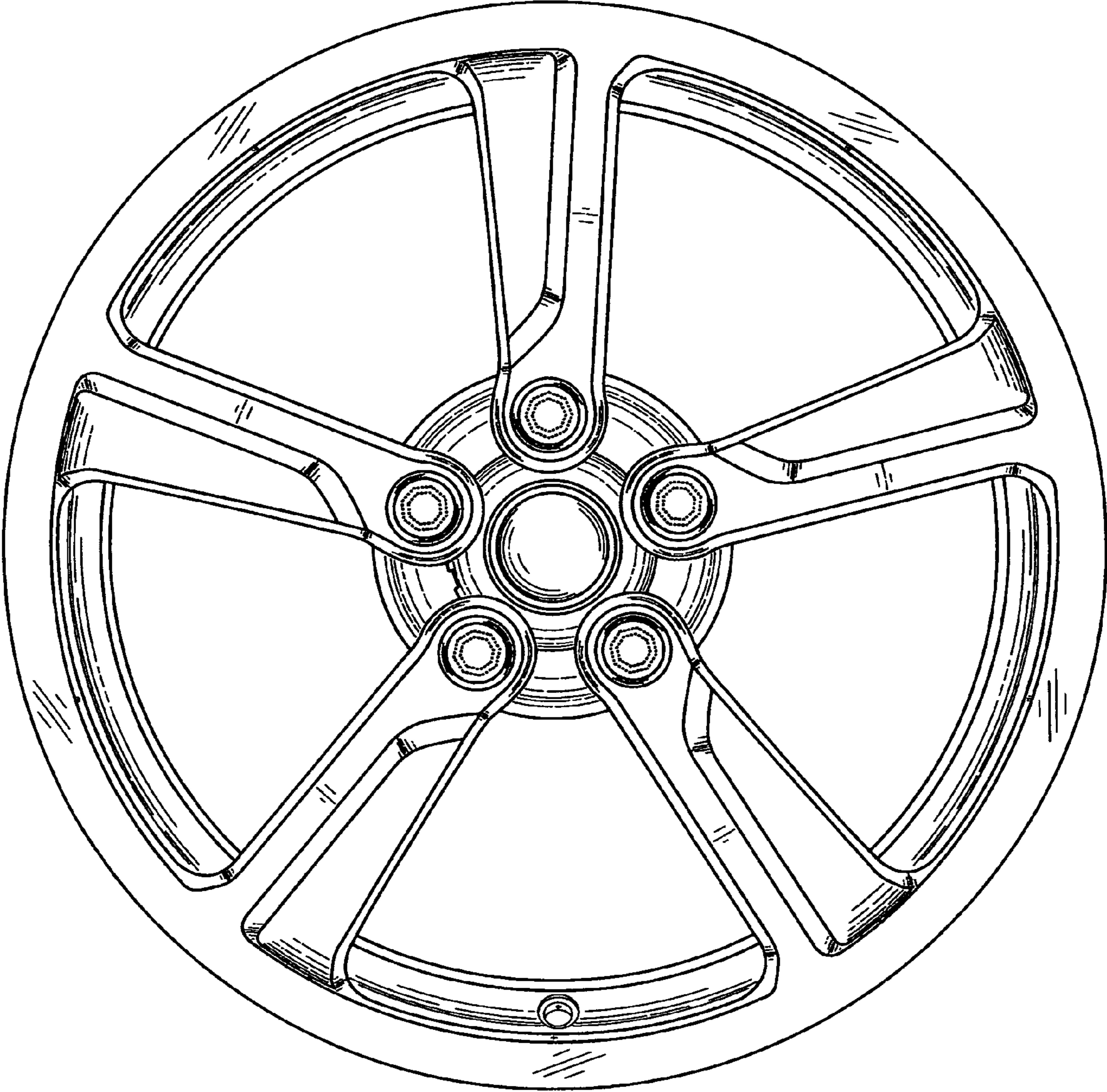


FIG.2