



US00D614113S

(12) **United States Design Patent**
Tant et al.

(10) **Patent No.:** **US D614,113 S**
(45) **Date of Patent:** **** Apr. 20, 2010**

(54) **VEHICLE WHEEL**

(75) Inventors: **Sean William Tant**, Livonia, MI (US);
Patrick J. Schiavone, Bloomfield, MI
(US); **George Bucher**, Dearborn, MI
(US)

(73) Assignee: **Ford Motor Company**, Dearborn, MI
(US)

(**) Term: **14 Years**

(21) Appl. No.: **29/323,629**

(22) Filed: **Aug. 28, 2008**

(51) **LOC (9) Cl.** **12-16**

(52) **U.S. Cl.** **D12/211**

(58) **Field of Classification Search** D12/204-213;
301/37.101, 64.101, 65

See application file for complete search history.

(56) **References Cited**

U.S. PATENT DOCUMENTS

- D375,285 S * 11/1996 Honer D12/206
- 5,636,906 A * 6/1997 Chase 301/37.43
- 5,795,035 A * 8/1998 Fuller 301/37.32
- D412,693 S * 8/1999 Kulla D12/211
- D419,517 S * 1/2000 Sacco et al. D12/211
- D454,531 S * 3/2002 Amatino D12/211
- D455,695 S * 4/2002 Kaucher D12/209
- 6,672,678 B1 * 1/2004 Nunes 301/37.34
- D488,760 S * 4/2004 Kato D12/209
- D505,903 S * 6/2005 Nordmann D12/209
- D519,899 S 5/2006 Metros
- D520,432 S 5/2006 Metros
- D523,384 S * 6/2006 Metros et al. D12/209

- D527,697 S 9/2006 Metros
- D529,426 S * 10/2006 Metros et al. D12/209
- D534,113 S 12/2006 Metros
- D540,732 S 4/2007 Metros
- D544,426 S 6/2007 Siler
- D566,641 S 4/2008 Fuligni
- D570,759 S * 6/2008 Antoniadis et al. D12/209

OTHER PUBLICATIONS

OEM Rims Factory Wheels Stock Rim Chrome Replica Wheel Used Rims Wheels 0 . . . <http://www.finishlinewheels.com/specials11,FORD%2BTRUCK/>.
<http://www.pickuptruck.com/html/news/ford/raptor/page12008.html>.
 Detroit Wheel and Tire: Product Search <http://www.detroitwheelandtire.com/search/?make=149&year=2008&model=675>.
 2005 Chicago Auto Show, Ford, F150 Harley Davidson.
 2008 Detroit Auto Show, Ford, F150 Platinum.

* cited by examiner

Primary Examiner—Elizabeth A Albert
Assistant Examiner—Kelley A Donnelly
 (74) *Attorney, Agent, or Firm*—Damian Porcari

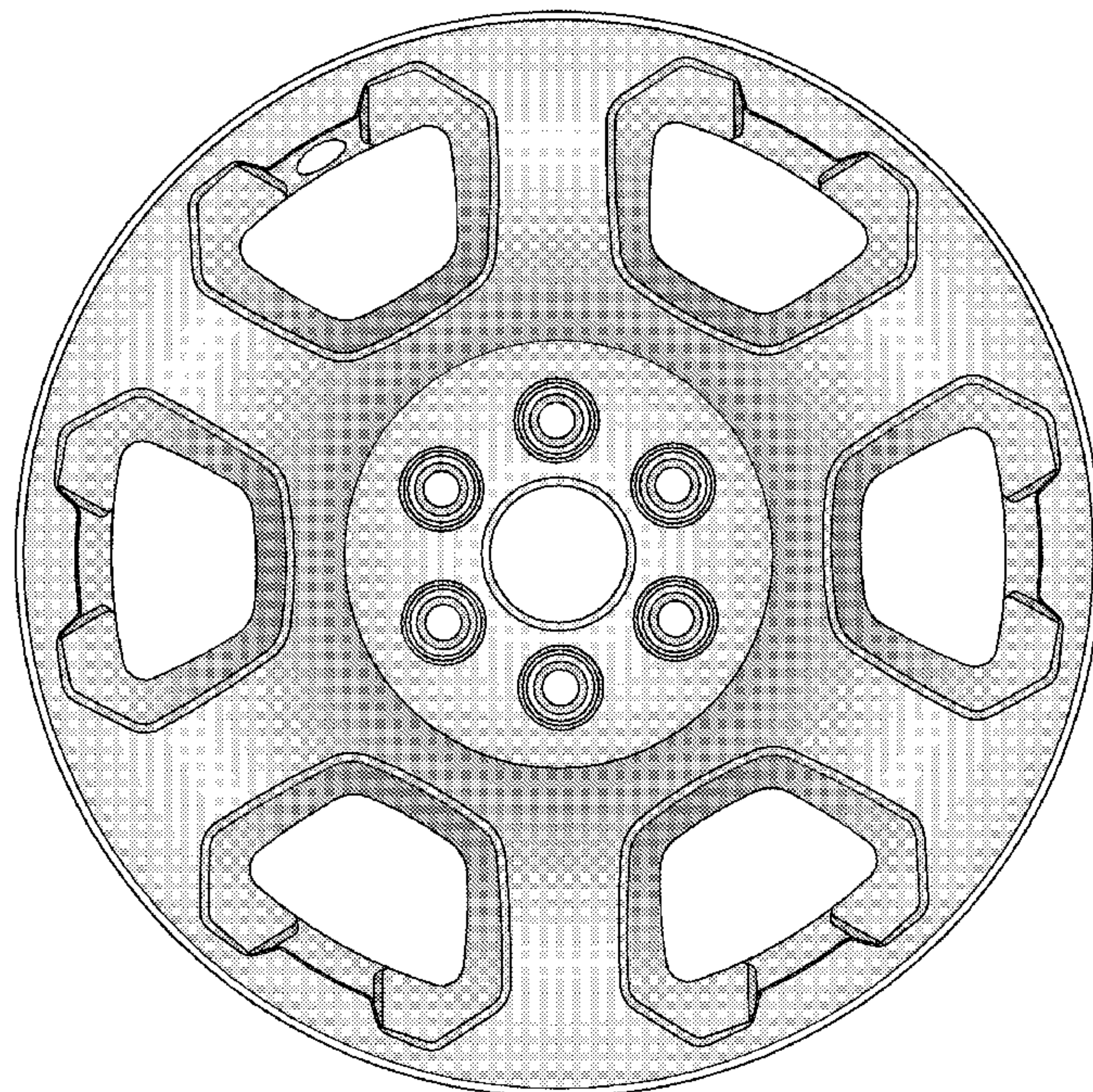
(57) **CLAIM**

An ornamental design for a vehicle wheel, as shown and described.

DESCRIPTION

FIG. 1 is a front view of a vehicle wheel; and,
 FIG. 2 is a perspective view of the vehicle wheel.
 The broken lines in the drawings are for environmental purposes only and form no part of the claimed design.

1 Claim, 2 Drawing Sheets



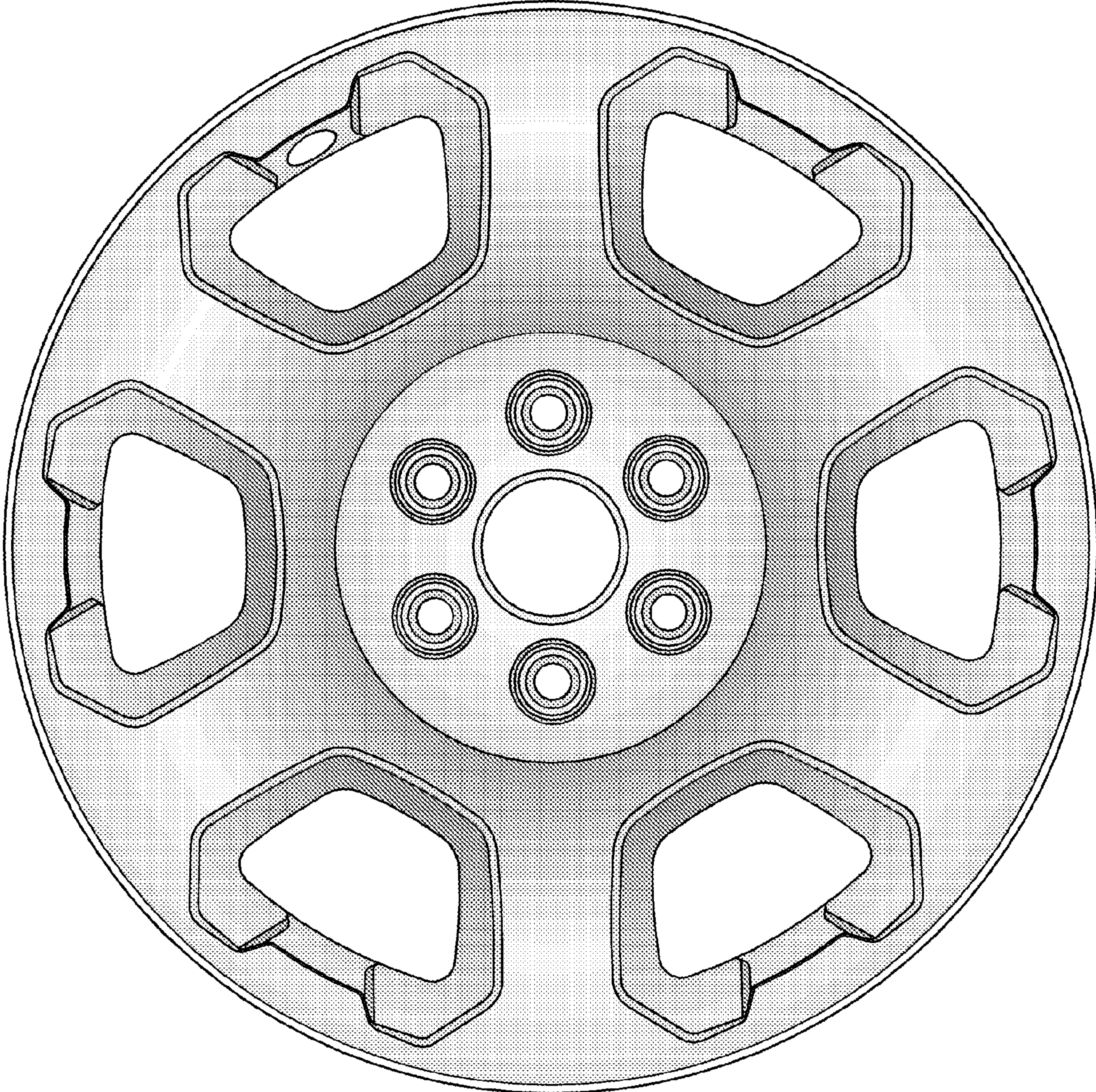


Figure 1

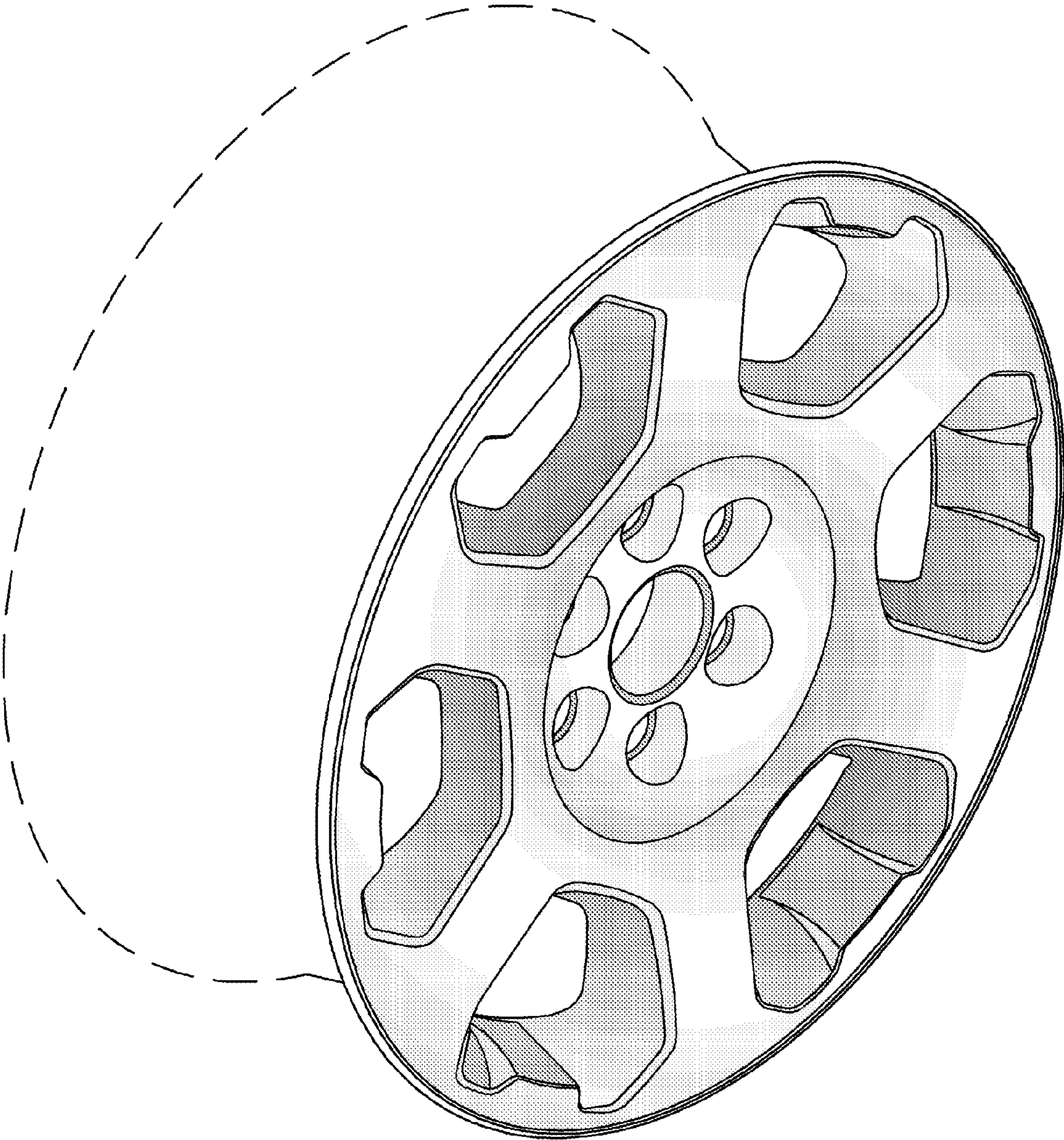


Figure 2