



US00D614107S

(12) **United States Design Patent**
Juergens et al.

(10) **Patent No.:** **US D614,107 S**
(45) **Date of Patent:** **** Apr. 20, 2010**

(54) **WHEEL OR WHEEL COVER**

(75) Inventors: **Dirk Juergens**, Munich (DE); **Rainer Mueller**, Munich (DE)

(73) Assignee: **Bayerische Motoren Werke Aktiengesellschaft**, Munich (DE)

(**) Term: **14 Years**

(21) Appl. No.: **29/347,016**

(22) Filed: **Aug. 24, 2009**

(30) **Foreign Application Priority Data**

Feb. 25, 2009 (DE) 402009001117

(51) **LOC (9) Cl.** **12-16**

(52) **U.S. Cl.** **D12/209**

(58) **Field of Classification Search** D12/204-213;
301/37.101, 64.101, 65, 64.201
See application file for complete search history.

(56) **References Cited**

U.S. PATENT DOCUMENTS

- D383,429 S * 9/1997 Muzzarelli et al. D12/211
- D403,648 S * 1/1999 Feriero D12/209
- D419,942 S 2/2000 Lampkin
- D476,938 S * 7/2003 Hatori D12/209
- D491,124 S 6/2004 Rice
- D503,915 S 4/2005 Markefka
- D512,007 S 11/2005 Sze
- D519,902 S * 5/2006 Pfeiffer D12/209
- D528,060 S * 9/2006 Laengerer D12/209
- D538,216 S 3/2007 Sycha
- D538,728 S * 3/2007 Pfeiffer D12/209
- D546,264 S * 7/2007 Young D12/211
- D549,633 S 8/2007 Sycha
- D550,140 S * 9/2007 Laengerer D12/211
- D551,146 S 9/2007 Hueller
- D559,758 S * 1/2008 Zane D12/211
- D579,399 S * 10/2008 Schweizer D12/211
- D580,334 S * 11/2008 Blasi D12/211

- D581,850 S 12/2008 Leclercq
- D583,740 S 12/2008 Frizzi
- D589,864 S 4/2009 Friedrich et al.
- D593,018 S 5/2009 Juergens et al.
- D593,920 S 6/2009 Juergens et al.
- D604,222 S * 11/2009 Krisch D12/211

FOREIGN PATENT DOCUMENTS

- DE 49807825.6 4/1999
- EM 000010442-0004 7/2003
- EM 000062591-0007 5/2004
- EM 000310438-0001 5/2005
- EM 000577945-0001 9/2006
- EM 000577945-0002 9/2006
- EM 000854476-0002 3/2008
- EM 000854476-0004 3/2008
- EM 000609458-0003 4/2008
- EM 000923388-0001 5/2008
- EM 000997572-0001 10/2008
- EM 000997572-0002 10/2008

* cited by examiner

Primary Examiner—Stacia Cadmus

(74) *Attorney, Agent, or Firm*—Crowell & Moring LLP

(57) **CLAIM**

The ornamental design for a wheel or wheel cover, as shown and described.

DESCRIPTION

This application contains subject matter related to the following pending U.S. design patent application:

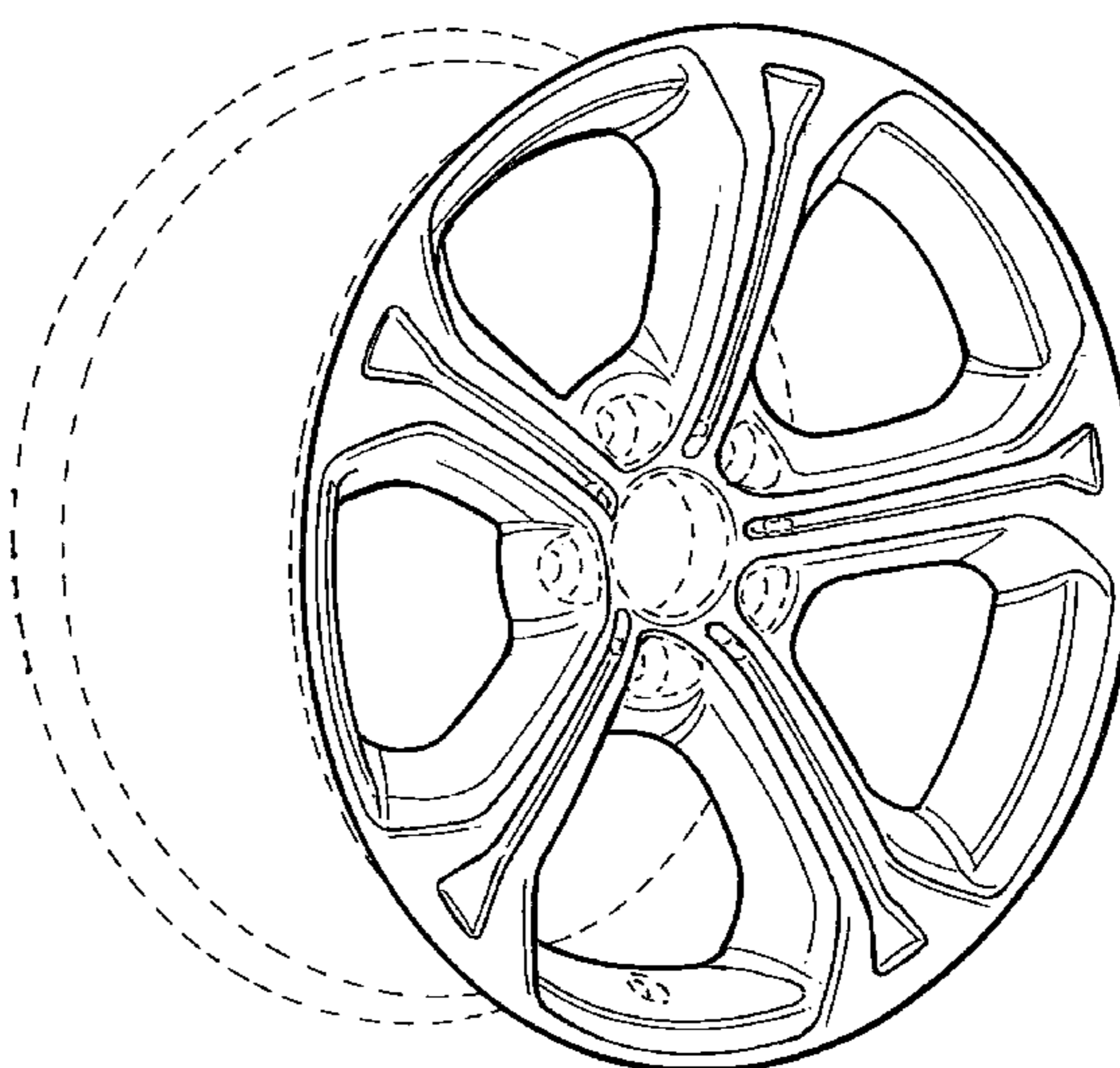
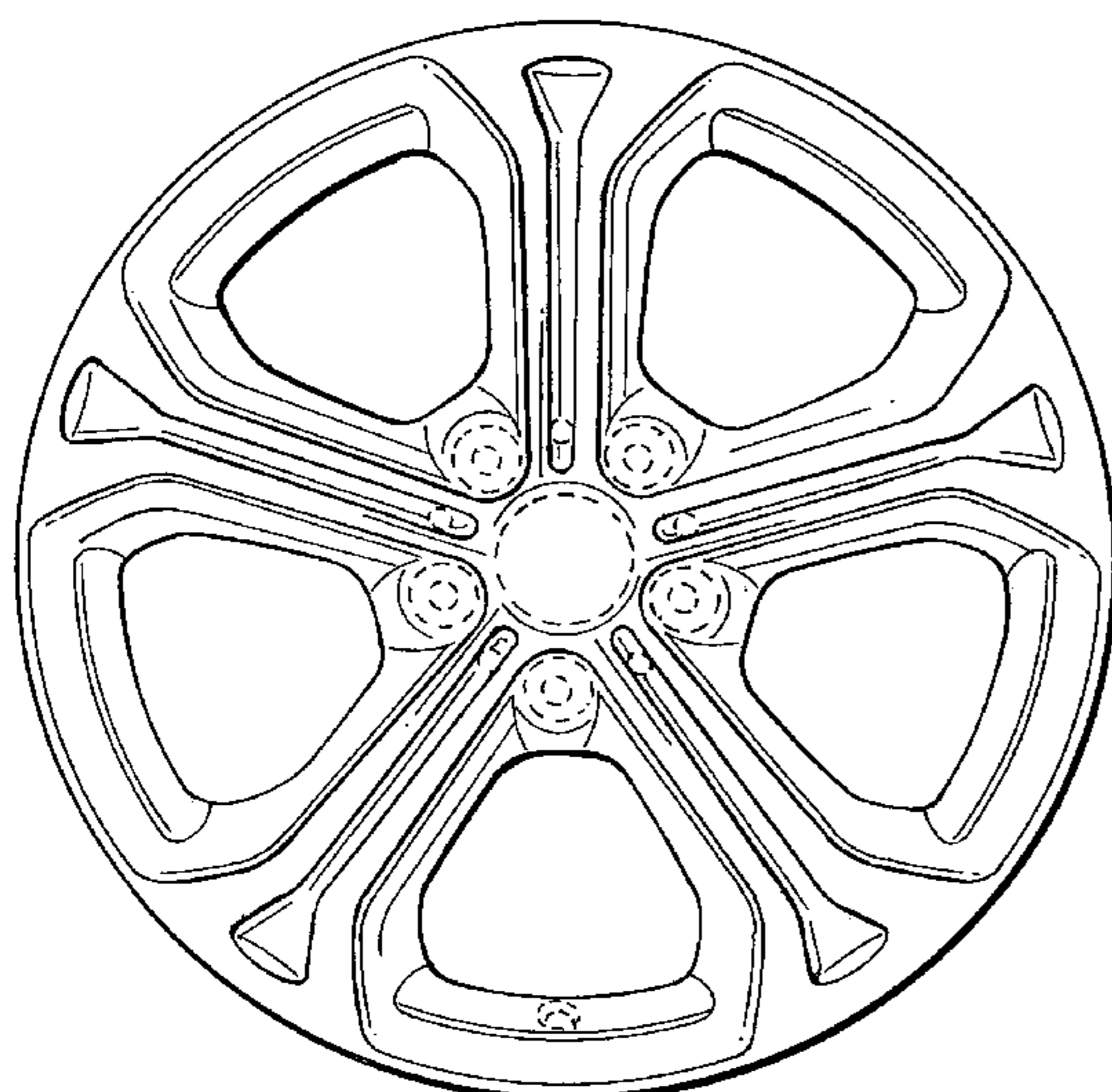
Application Ser. No. 29/347,013.

FIG. 1 is a front view of a wheel or wheel cover according to our design; and,

FIG. 2 is a perspective view thereof.

The broken line showing of the rear of the rim and the bolt holes and center hole in the central hub area is included for the purpose of illustrating environment and forms no part of the claimed design.

1 Claim, 1 Drawing Sheet



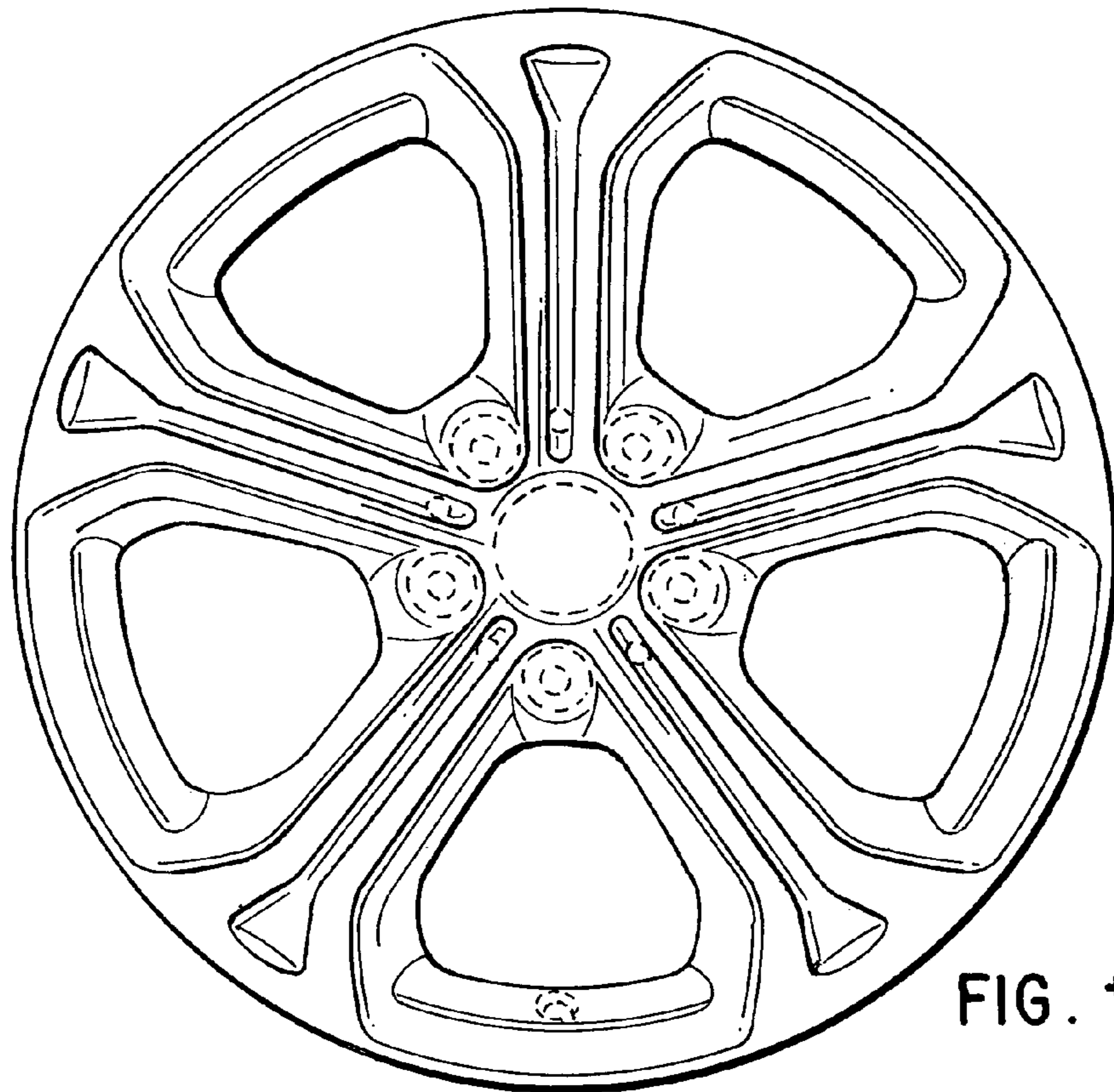


FIG. 1

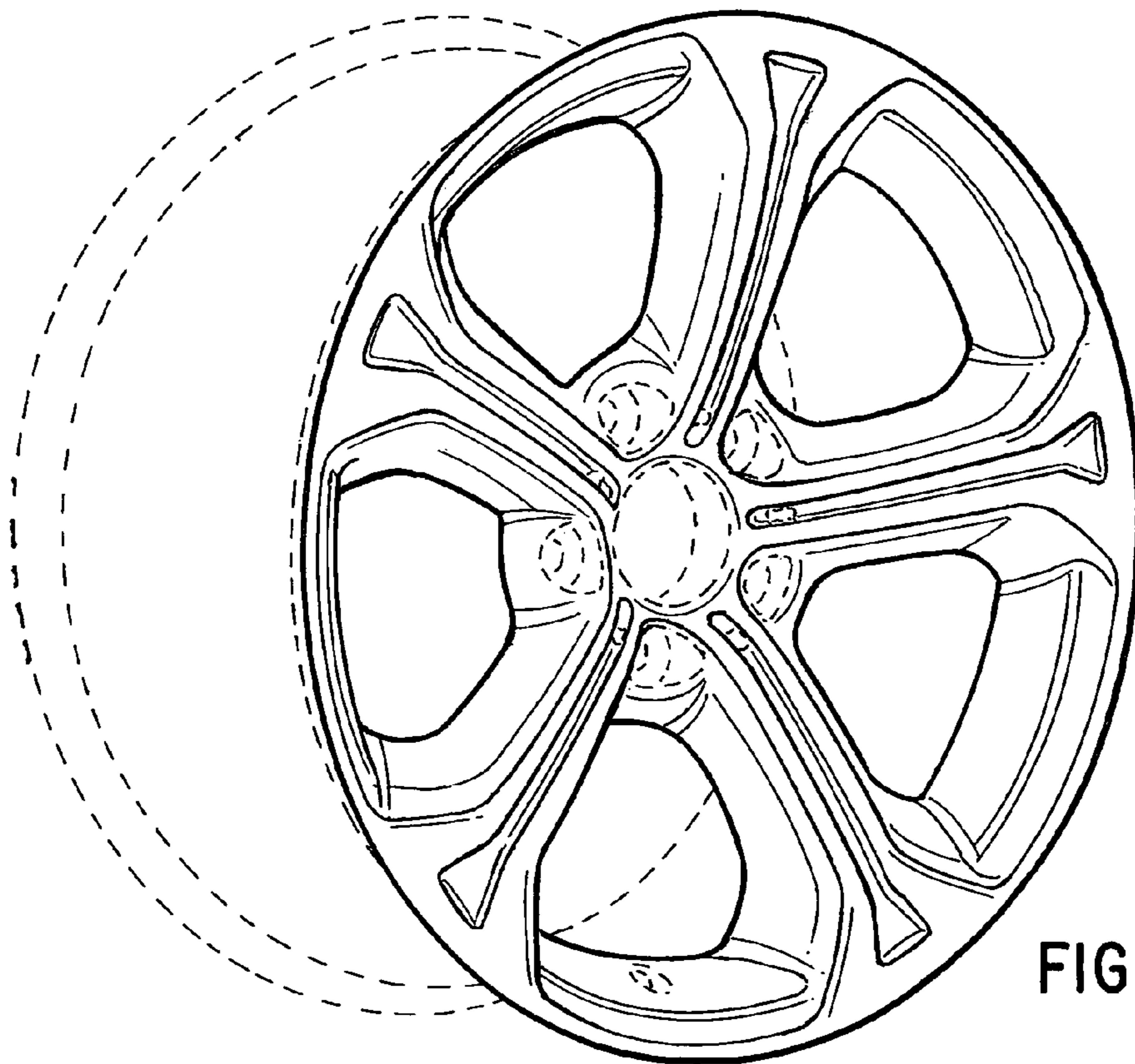


FIG. 2