



US00D614106S

(12) **United States Design Patent**  
**Junker**

(10) **Patent No.:** **US D614,106 S**  
(45) **Date of Patent:** **\*\* Apr. 20, 2010**

(54) **WHEEL OR WHEEL COVER**

(75) Inventor: **Lydia Junker**, Engelsberg (DE)

(73) Assignee: **Bayerische Motoren Werke  
Aktiengesellschaft**, Munich (DE)

(\*\*) Term: **14 Years**

(21) Appl. No.: **29/347,015**

(22) Filed: **Aug. 24, 2009**

(30) **Foreign Application Priority Data**

Feb. 25, 2009 (DE) ..... 402009001117

(51) **LOC (9) Cl.** ..... **12-16**

(52) **U.S. Cl.** ..... **D12/209**

(58) **Field of Classification Search** ..... D12/204-213;  
301/37.101, 64.101, 65, 64.201

See application file for complete search history.

(56) **References Cited**

**U.S. PATENT DOCUMENTS**

D433,659 S	11/2000	Frizzi	
D483,714 S	12/2003	Warming	
D485,524 S *	1/2004	Bhambra	D12/209
D487,881 S *	3/2004	Laengerer	D12/209
D504,100 S *	4/2005	Pollmann	D12/211
D512,007 S *	11/2005	Sze	D12/209
D516,002 S *	2/2006	Fahr-Becker	D12/211
D517,970 S	3/2006	Pollmann	
D531,102 S *	10/2006	Loocho	D12/209
D540,239 S *	4/2007	Pfeiffer	D12/211

D567,165 S *	4/2008	Truebsbach	D12/209
D579,397 S *	10/2008	Osborne	D12/211
D581,851 S *	12/2008	Scheu	D12/211
D582,331 S *	12/2008	Blasi	D12/209
D585,805 S *	2/2009	Friedrich et al.	D12/209
D586,280 S *	2/2009	Blasi	D12/209
D589,427 S *	3/2009	Scheu	D12/211
D590,314 S	4/2009	Hettler	

**FOREIGN PATENT DOCUMENTS**

DE	49902566.0	10/1999
DE	40202745.0	7/2002
EM	000330774-0005	6/2005
EM	000863055-0001	3/2008

\* cited by examiner

*Primary Examiner*—Stacia Cadmus

(74) *Attorney, Agent, or Firm*—Crowell & Moring LLP

(57) **CLAIM**

The ornamental design for a wheel or wheel cover, as shown and described.

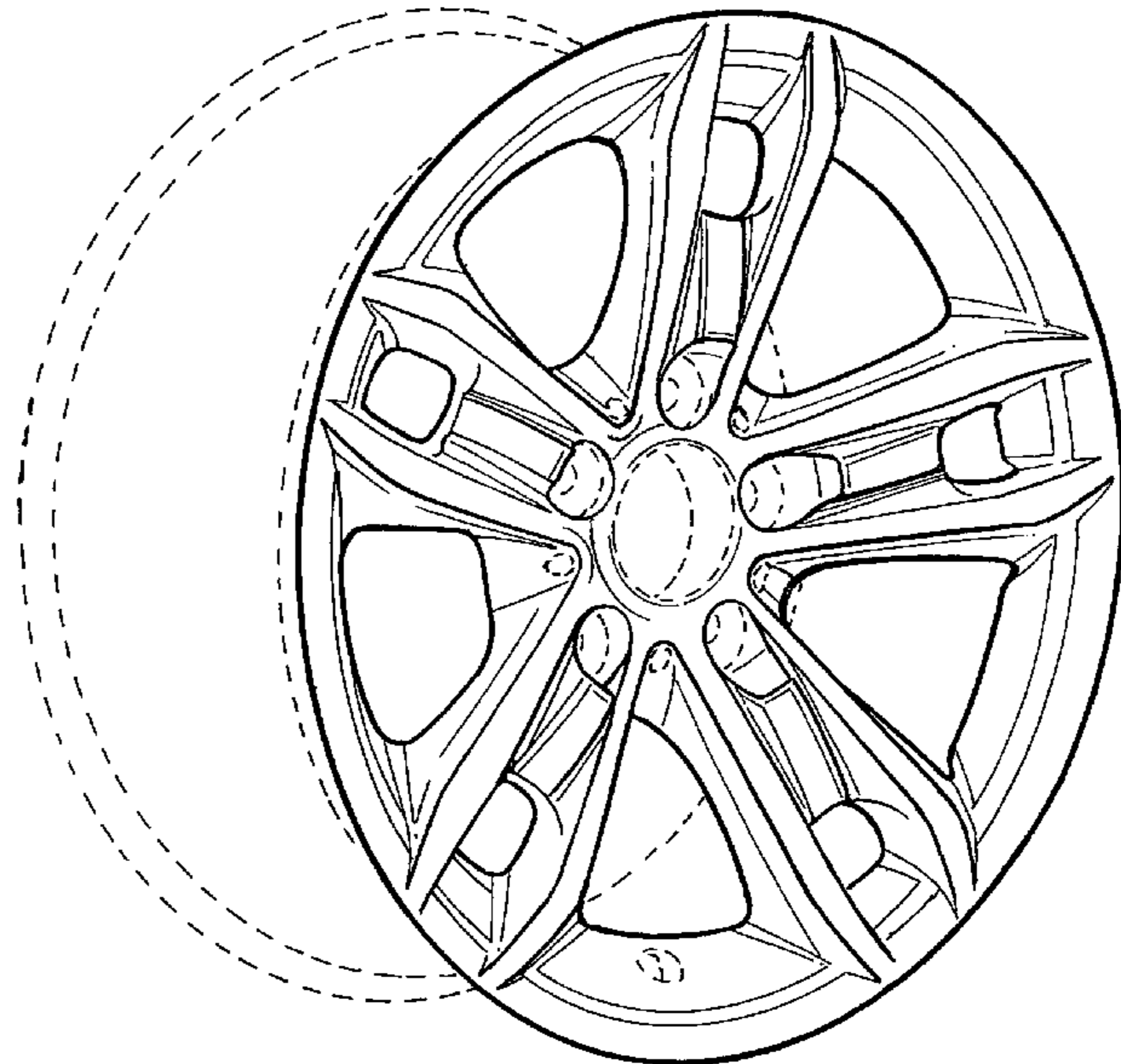
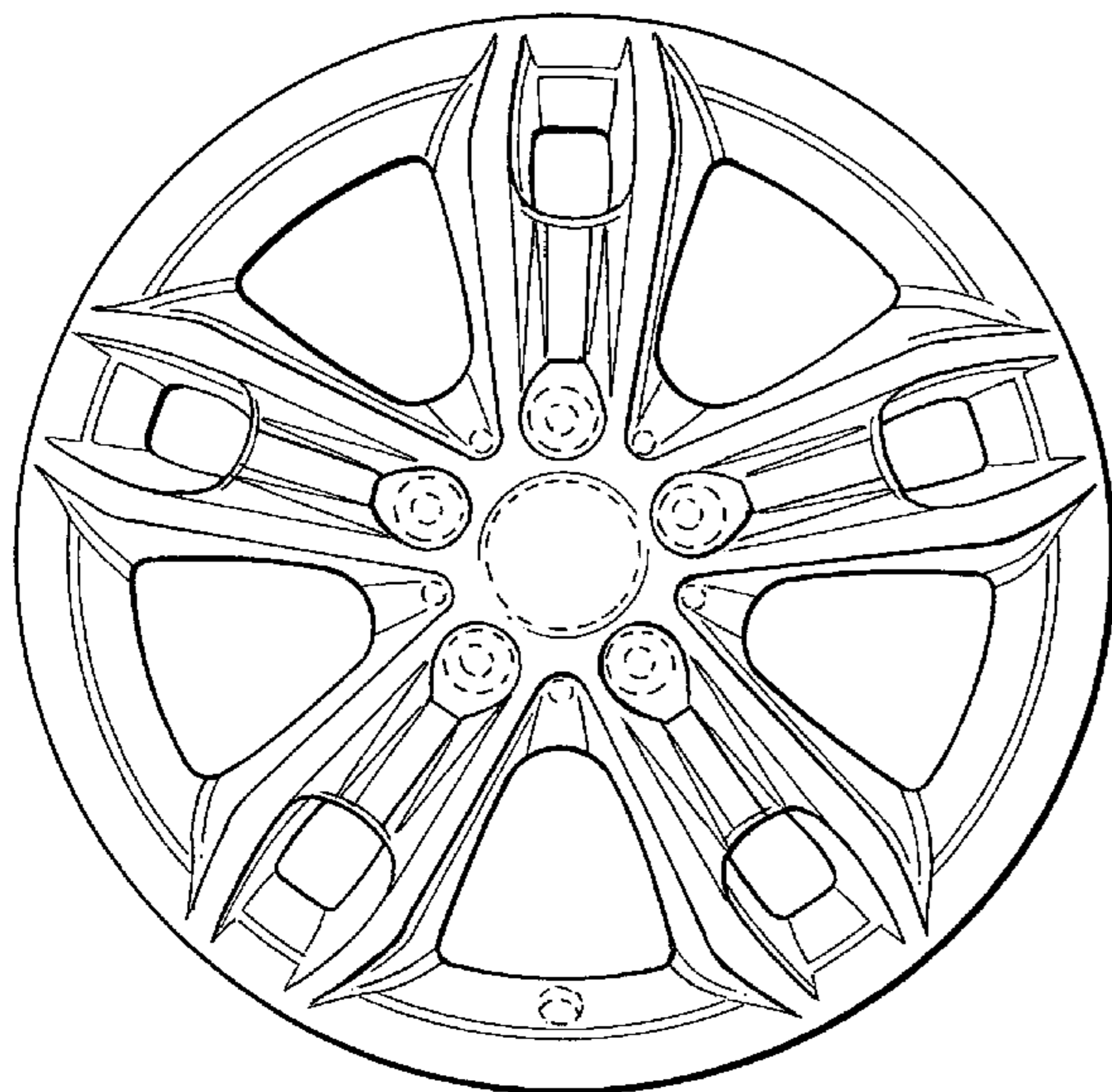
**DESCRIPTION**

FIG. 1 is a front view of a wheel or wheel cover according to my design; and,

FIG. 2 is a perspective view thereof.

The broken line showing of the rear of the rim and the bolt holes and center hole in the central hub area is included for the purpose of illustrating environment and forms no part of the claimed design.

**1 Claim, 1 Drawing Sheet**



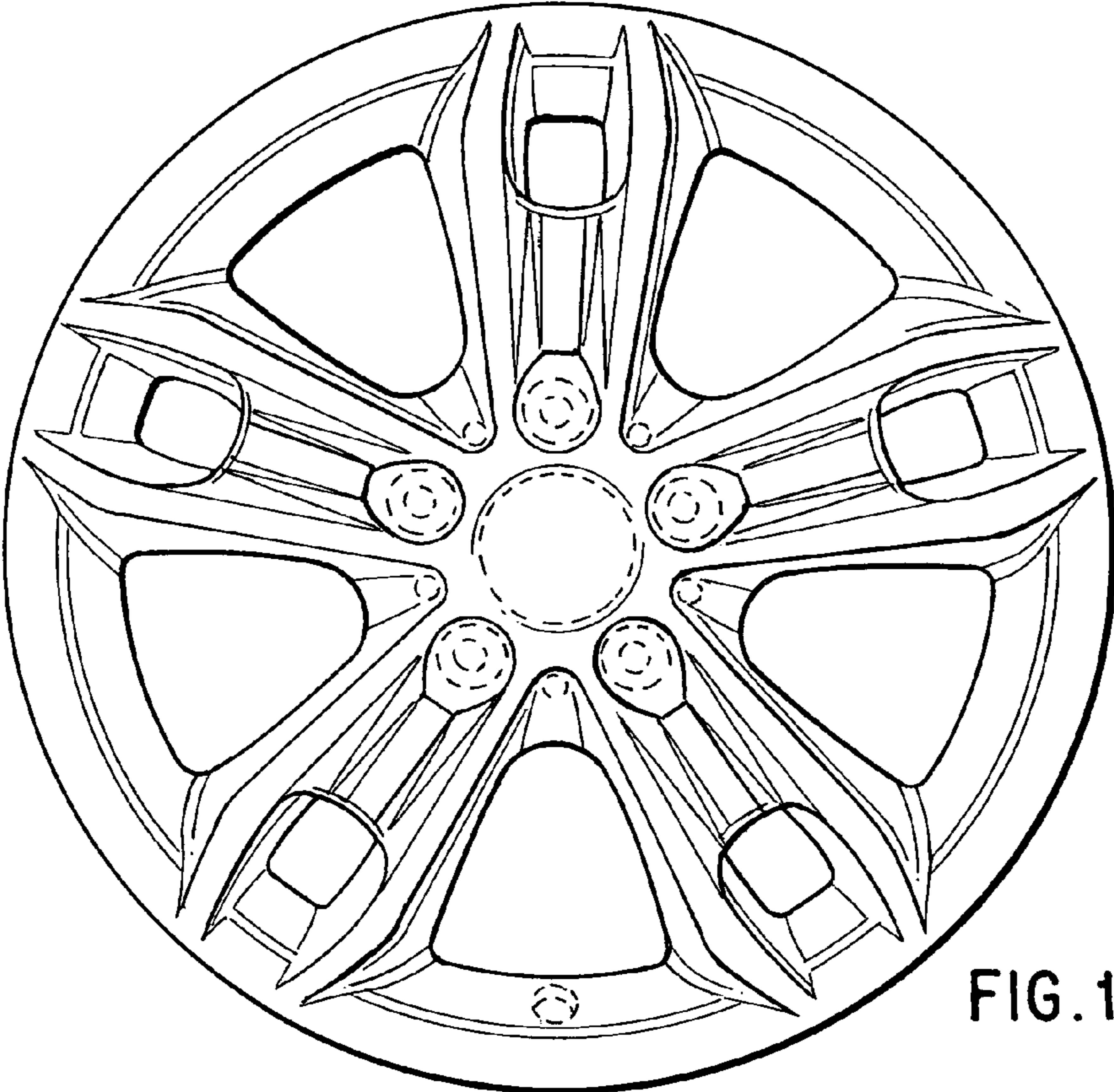


FIG. 1

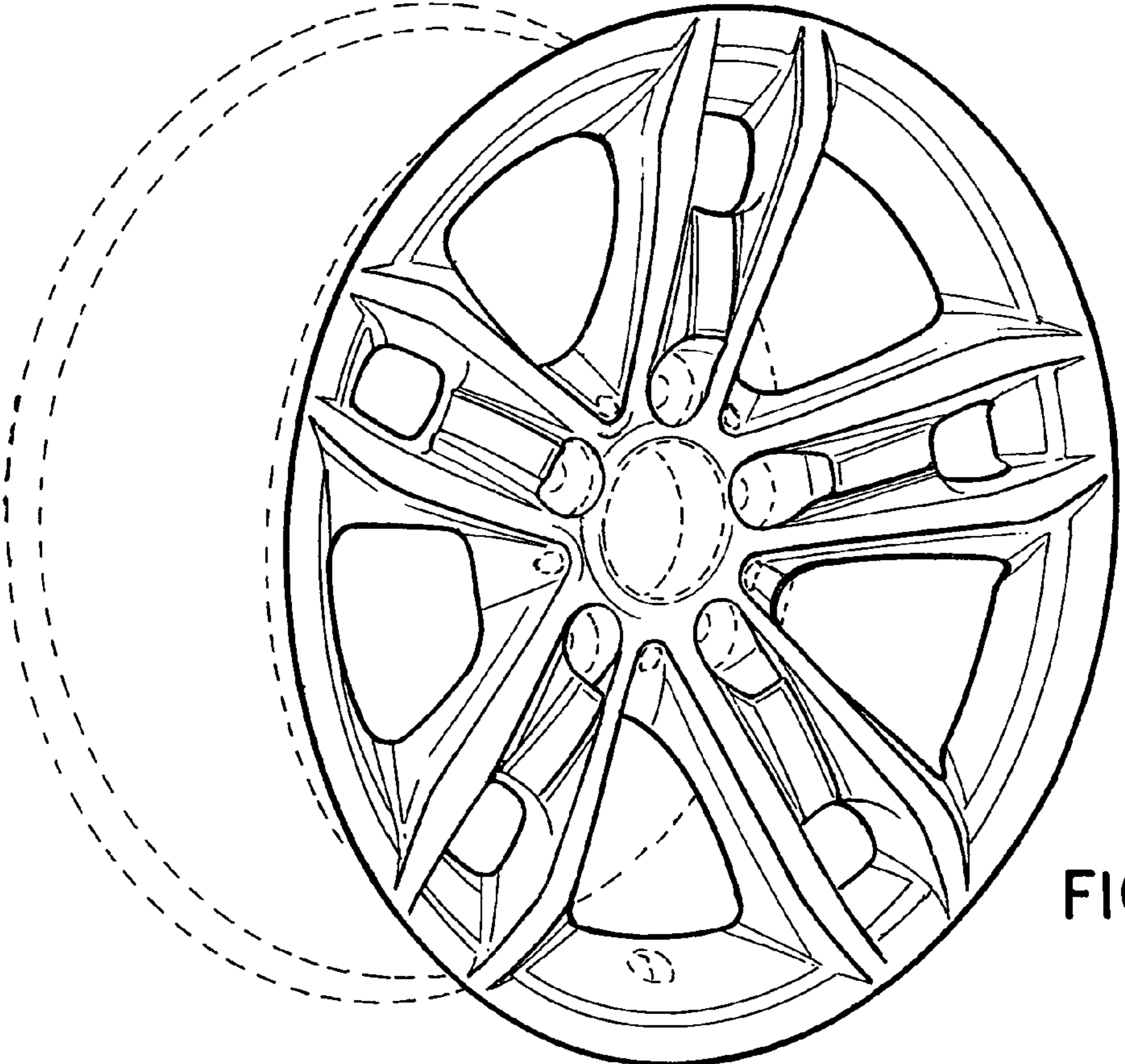


FIG. 2