



US00D614100S

(12) **United States Design Patent**
Williams et al.

(10) **Patent No.:** **US D614,100 S**

(45) **Date of Patent:** **** Apr. 20, 2010**

(54) **VEHICLE FRONT FENDER**

D586,712 S * 2/2009 Opfer et al. D12/184

(75) Inventors: **Bruce P. Williams**, Grosse Pointe Park, MI (US); **Sean W. Tant**, Livonia, MI (US); **George Bucher**, Dearborn, MI (US); **Patrick J. Schiavone**, Bloomfield, MI (US)

* cited by examiner

Primary Examiner—Melody N Brown

(74) *Attorney, Agent, or Firm*—Damian Porcari

(73) Assignee: **Ford Motor Company**, Dearborn, MI (US)

(57) **CLAIM**

An ornamental design for a vehicle front fender, as shown and described.

(**) Term: **14 Years**

DESCRIPTION

(21) Appl. No.: **29/306,176**

FIG. 1 is a side elevational view of a vehicle front fender (both the left and right fenders being mirror images and only one is shown);

(22) Filed: **Apr. 3, 2008**

FIG. 2 is a front elevational view of the vehicle front fender;

(51) **LOC (9) Cl.** **12-16**

FIG. 3 is a rear elevational view of the vehicle front fender;

(52) **U.S. Cl.** **D12/184**

FIG. 4 is a side elevational view of the vehicle front fender illustrating the inner surface;

(58) **Field of Classification Search** D12/184,
D12/196, 90-92; 280/152.1, 847-849, 851;
296/181.1, 181.5

FIG. 5 is a top plan view of the vehicle front fender; and,

See application file for complete search history.

FIG. 6 is a bottom plan view of the vehicle front fender.

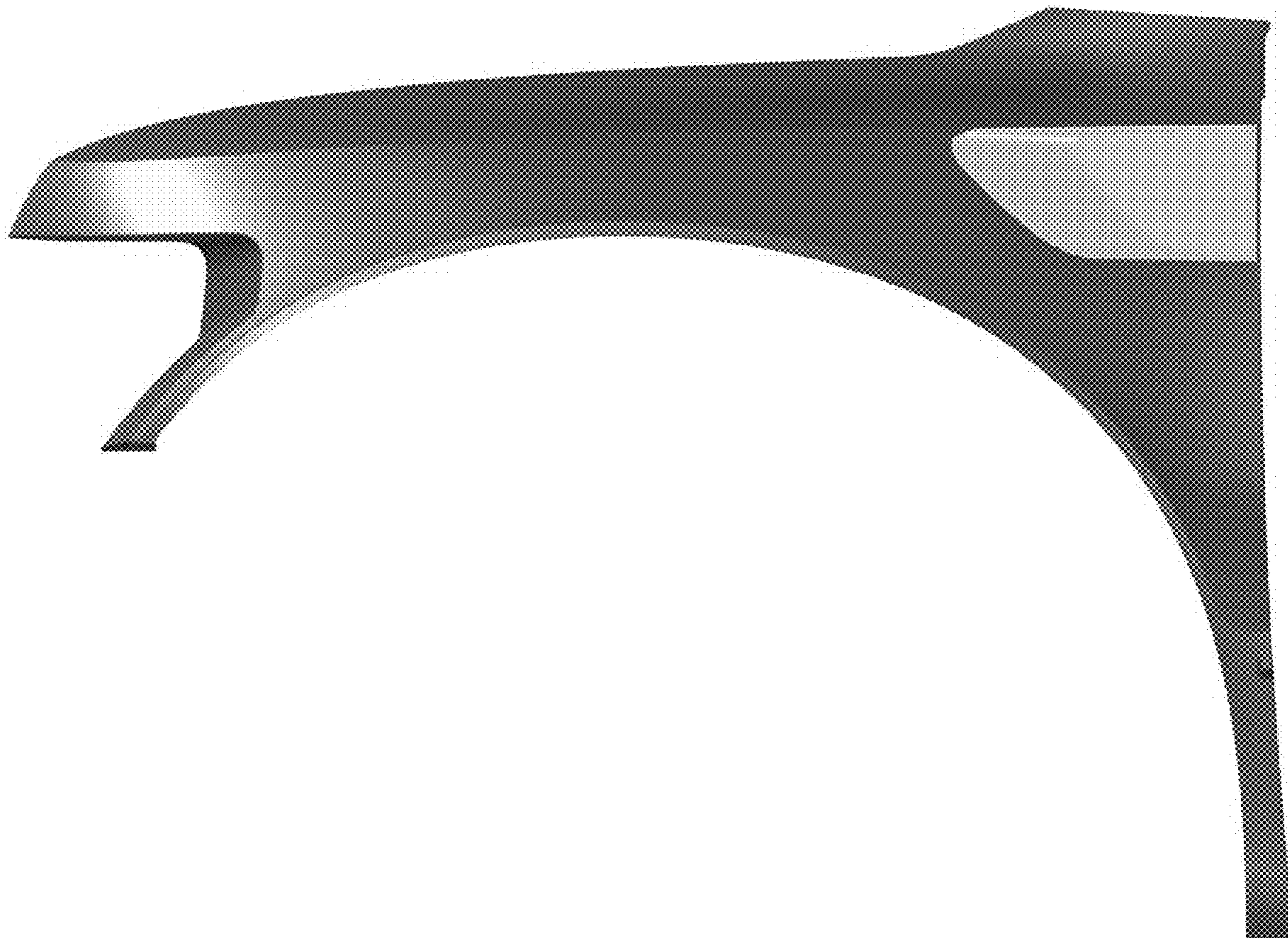
Areas shown in highlighting are not claimed. Views are orthogonal projections rendered from computer aided design data. The various views are not necessarily to scale in order to better illustrate the design.

(56) **References Cited**

U.S. PATENT DOCUMENTS

- D562,201 S * 2/2008 Gresens et al. D12/184
- D562,202 S * 2/2008 Tant et al. D12/184
- D584,667 S * 1/2009 Leclercq D12/184

1 Claim, 6 Drawing Sheets



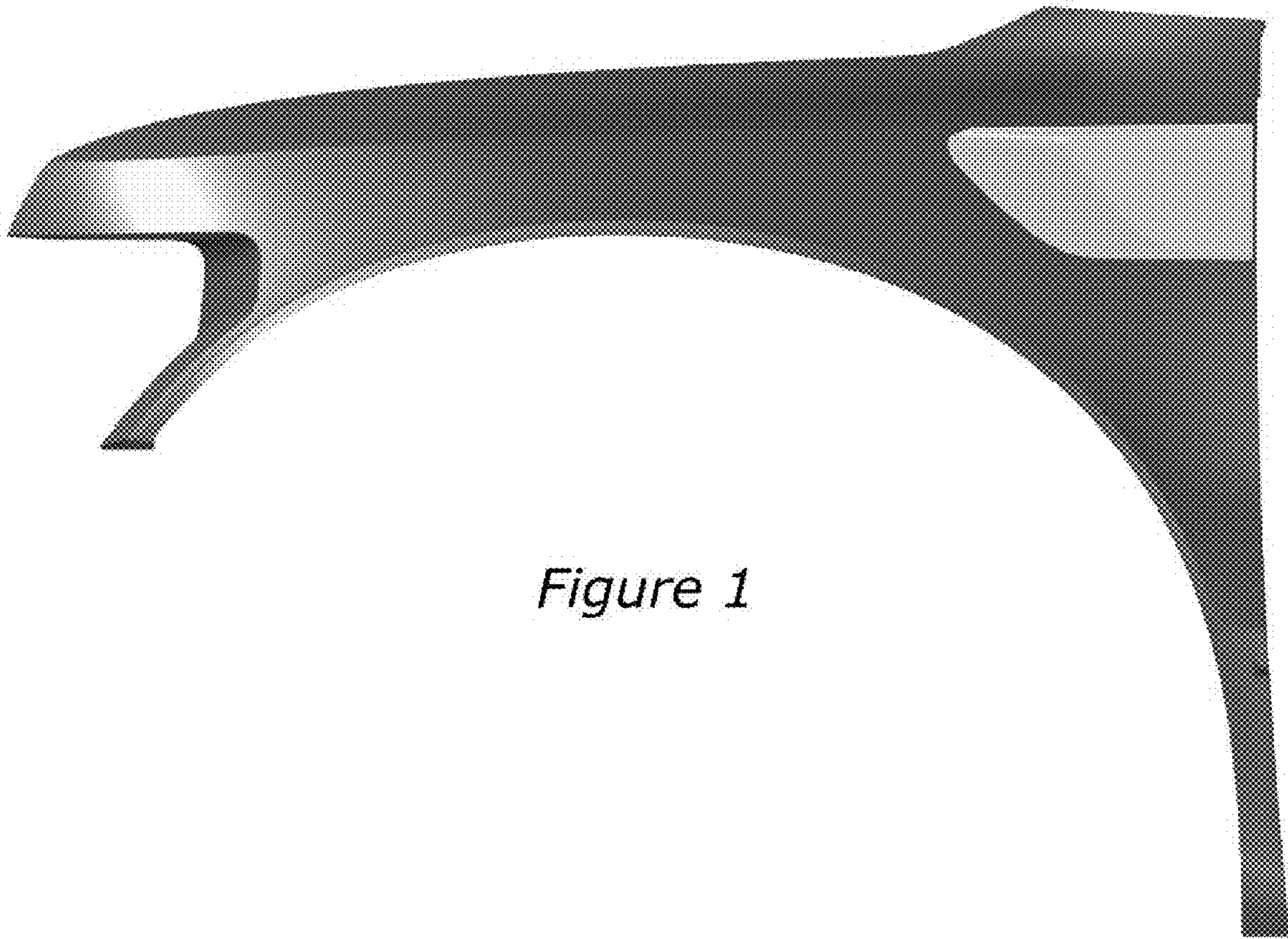


Figure 1

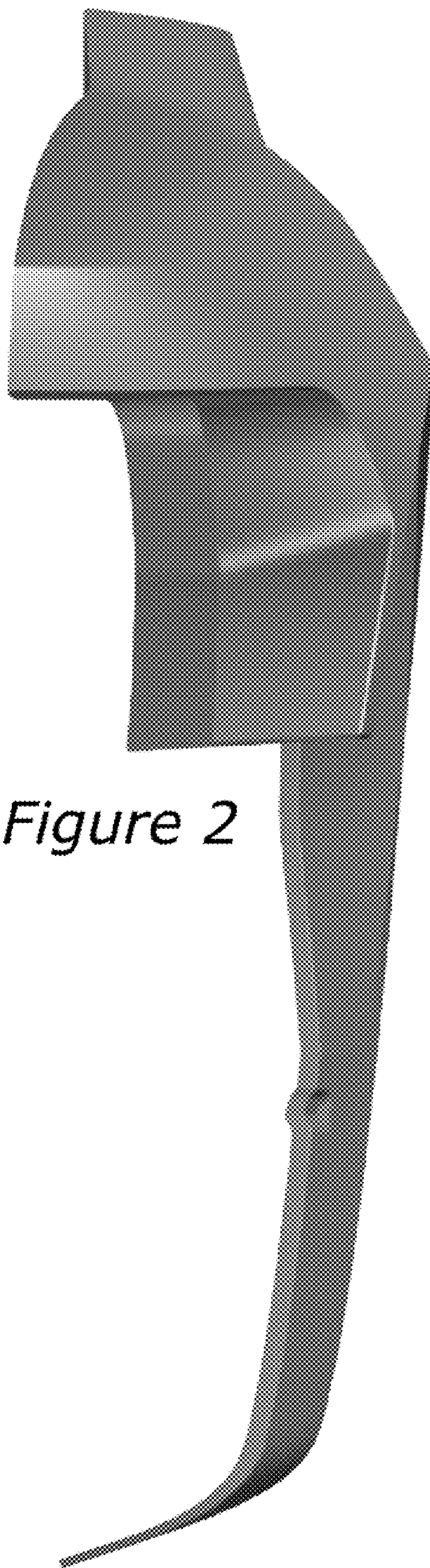


Figure 2

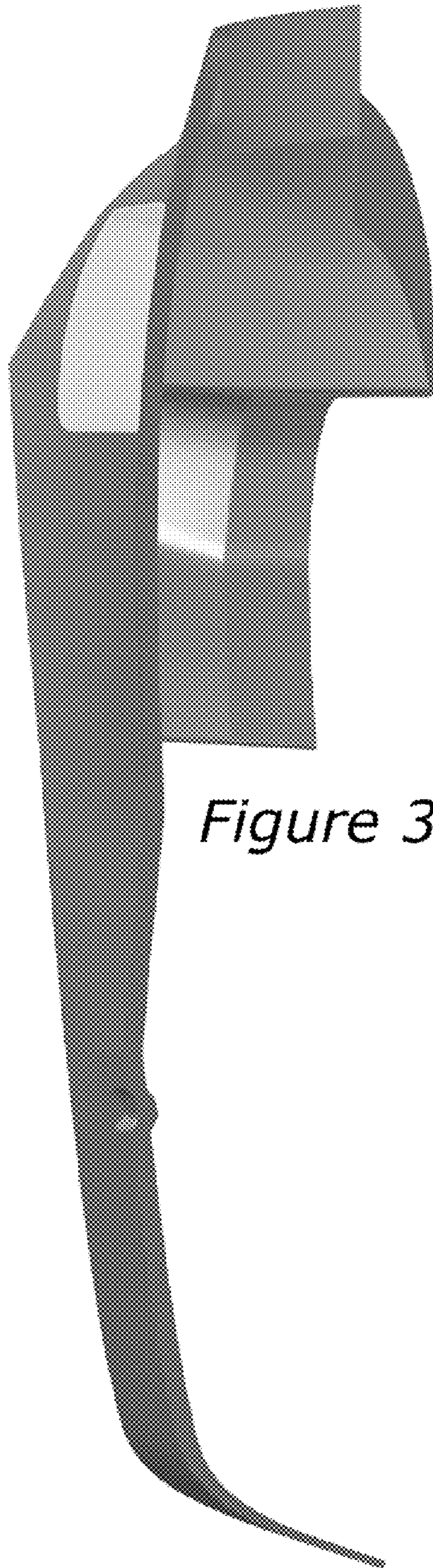


Figure 3

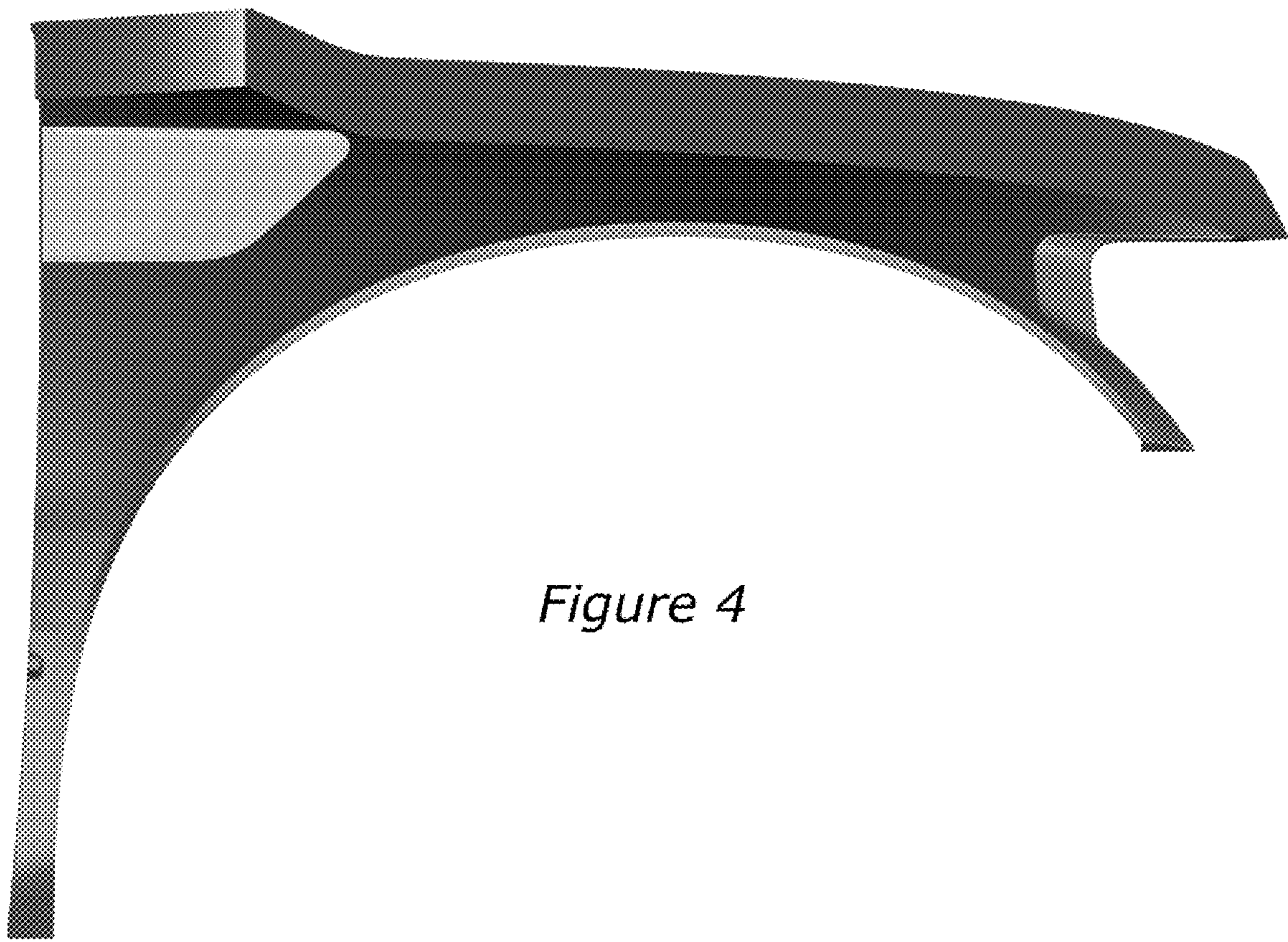


Figure 4

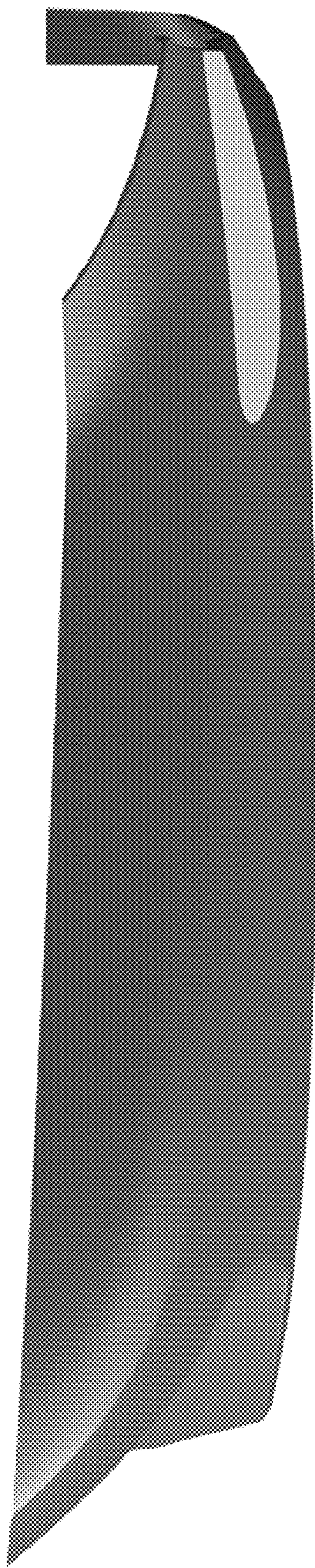


Figure 5

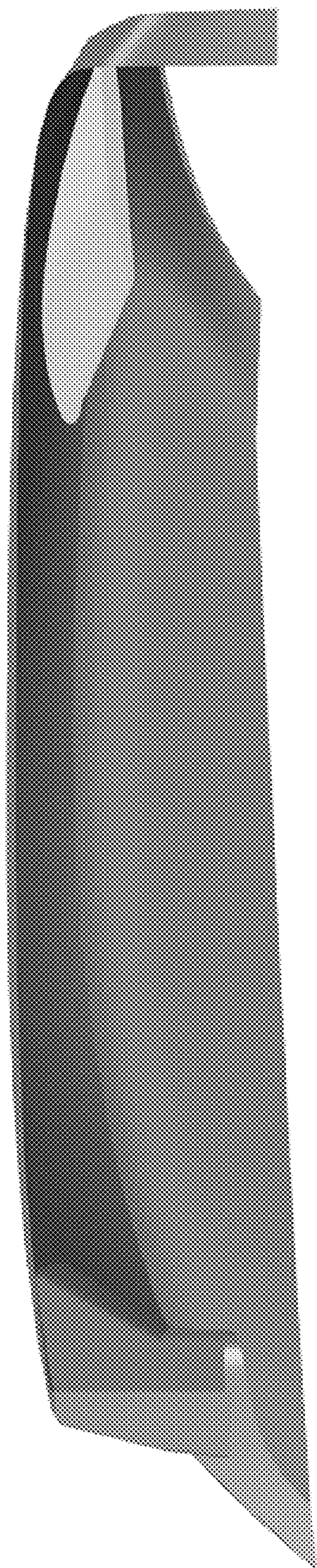


Figure 6