



US00D614096S

(12) **United States Design Patent**
Fretz et al.

(10) **Patent No.:** **US D614,096 S**

(45) **Date of Patent:** **** Apr. 20, 2010**

(54) **VEHICLE BRUSH AND GRILLE GUARD WINCH MOUNTING UNIT**

Primary Examiner—Melody N Brown
(74) *Attorney, Agent, or Firm*—Harness, Dickey & Pierce, P.L.C.

(75) Inventors: **Darren G. Fretz**, Canby, OR (US);
Steven M. Schile, Portland, OR (US)

(57) **CLAIM**

(73) Assignee: **Warn Industries, Inc.**, Milwaukie, OR (US)

The ornamental design for a vehicle brush and grille guard winch mounting unit, as shown and described.

(**) Term: **14 Years**

DESCRIPTION

(21) Appl. No.: **29/339,748**

FIG. 1 is a front perspective view of a vehicle brush and grille guard winch mounting unit;

(22) Filed: **Jul. 7, 2009**

FIG. 2 is a front view thereof;

(51) **LOC (9) Cl.** **12-16**

FIG. 3 is a top view thereof; and

(52) **U.S. Cl.** **D12/171**

FIG. 4 is a right side view thereof (the left side view is a mirror image of the right side view);

(58) **Field of Classification Search** D12/171,
D12/163, 98, 90–92; 180/86.1, 86.2; 296/183.1;
280/163, 164

FIG. 5 is a front perspective view of a second embodiment of mounting system and vehicle grille guard;

See application file for complete search history.

FIG. 6 is a front view thereof;

(56) **References Cited**

FIG. 7 is a top view thereof;

U.S. PATENT DOCUMENTS

FIG. 8 is a right side view thereof (the left side view is a mirror image of the right side view);

D257,430 S	10/1980	Hickey	
D300,420 S	3/1989	Trinnaman	
D361,316 S	8/1995	Orth, Sr. et al.	
D416,219 S	11/1999	Waagenaar	
D420,962 S	2/2000	Chevalier	
D422,952 S	4/2000	Waagenaar	
D422,953 S	4/2000	Waagenaar	
D440,530 S	4/2001	Geisler	
D535,923 S *	1/2007	Katoh	D12/171
D572,180 S *	7/2008	Storer	D12/171
D577,319 S *	9/2008	Storer	D12/171

FIG. 9 is a front perspective view of a third embodiment of a winch mounting system;

FIG. 10 is a front view thereof;

FIG. 11 is a top view thereof; and,

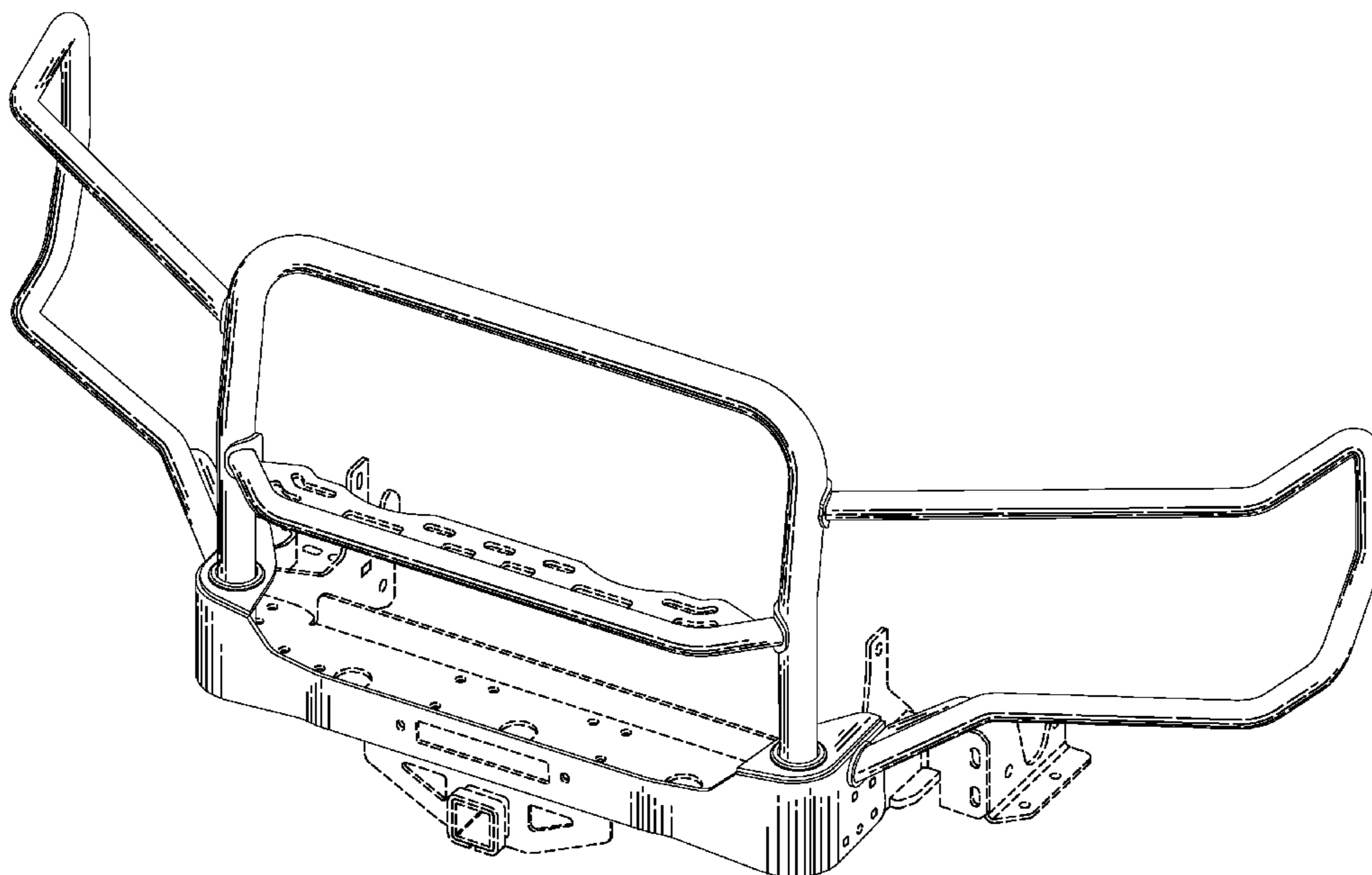
FIG. 12 is a right side view thereof (the left side view is a mirror image of the right side view).

The broken lines shown are for illustrative purposes only and do not form part of the claimed invention.

The rear and bottom views are non-ornamental.

* cited by examiner

1 Claim, 12 Drawing Sheets



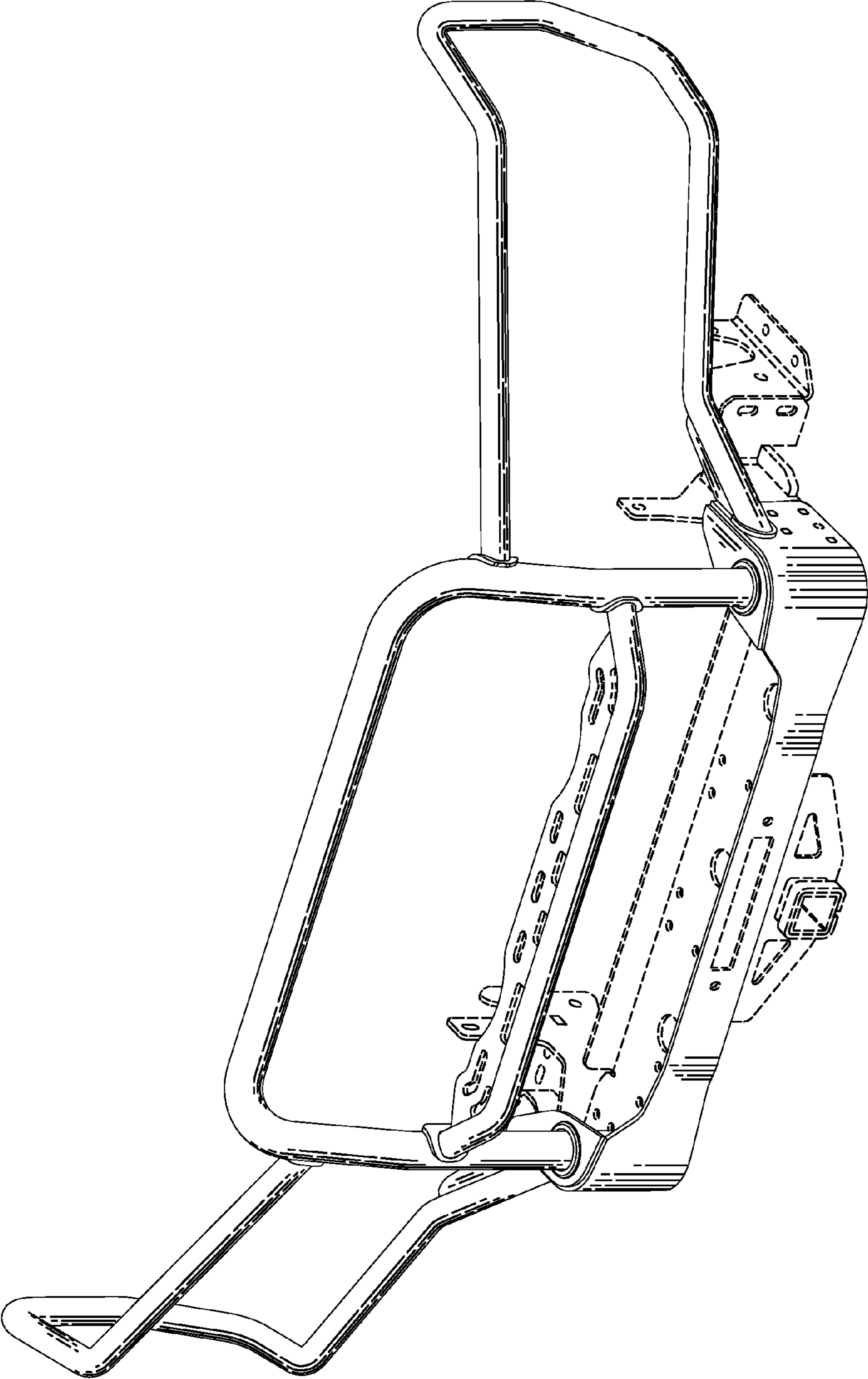


FIG. 1

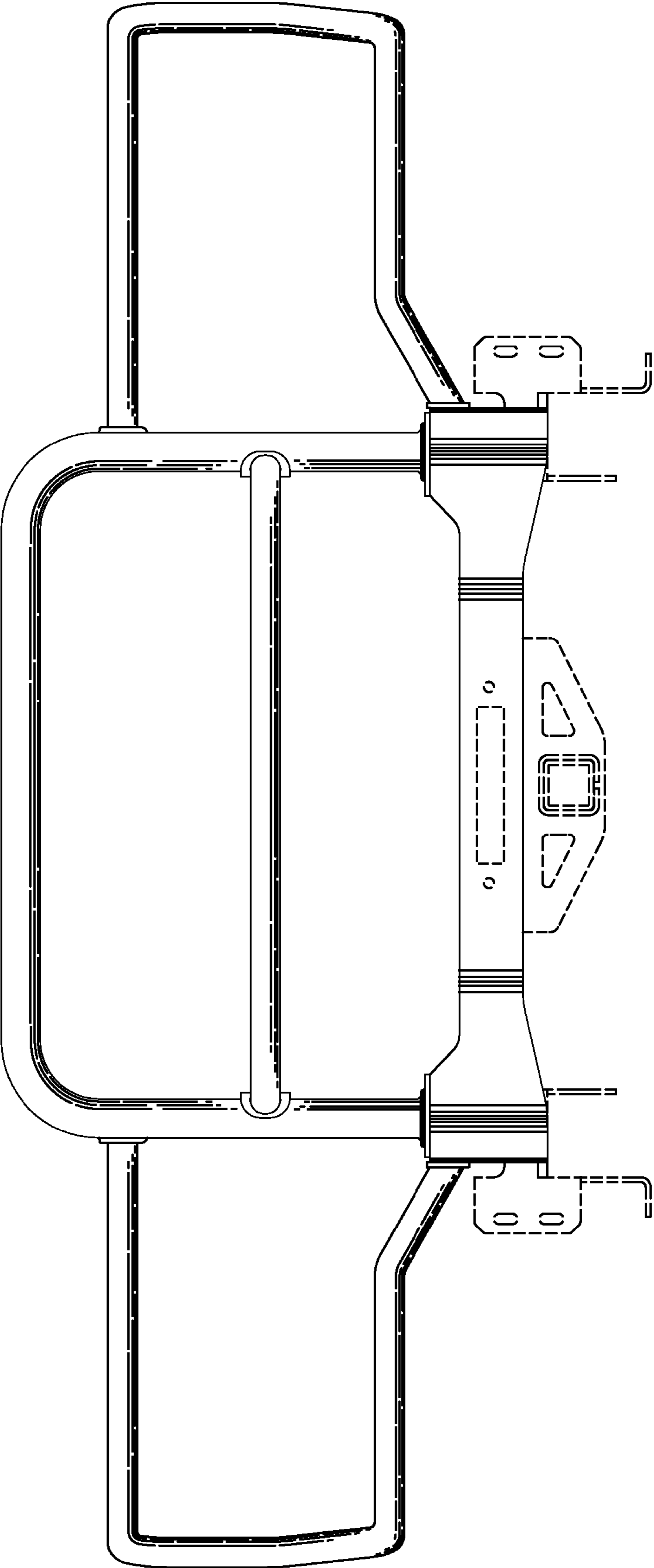


FIG. 2

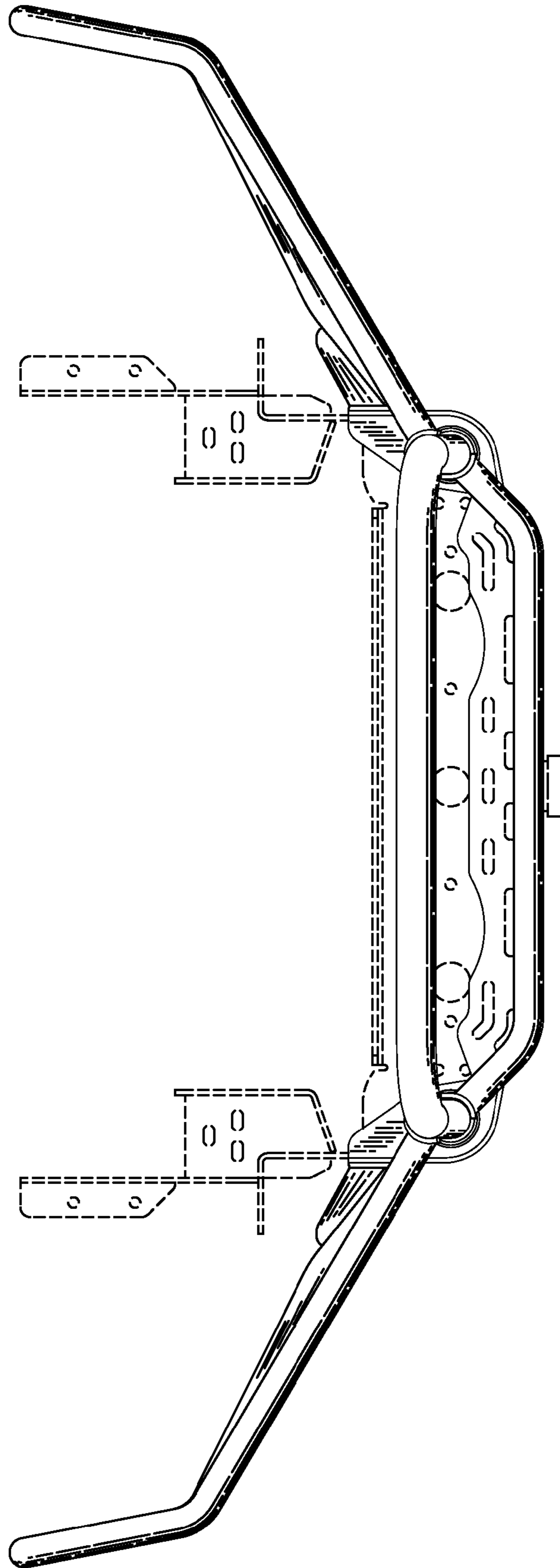


FIG. 3

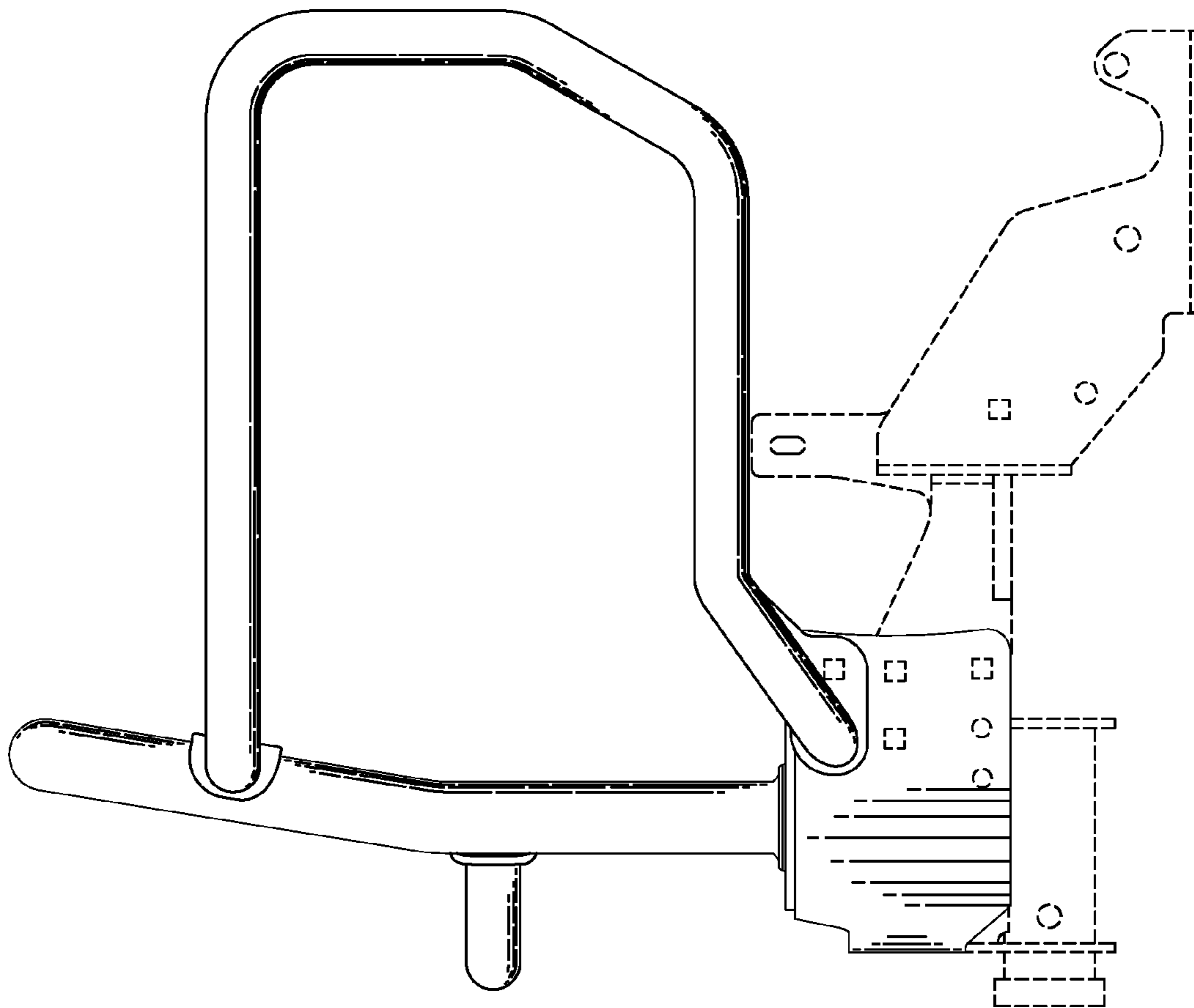


FIG. 4

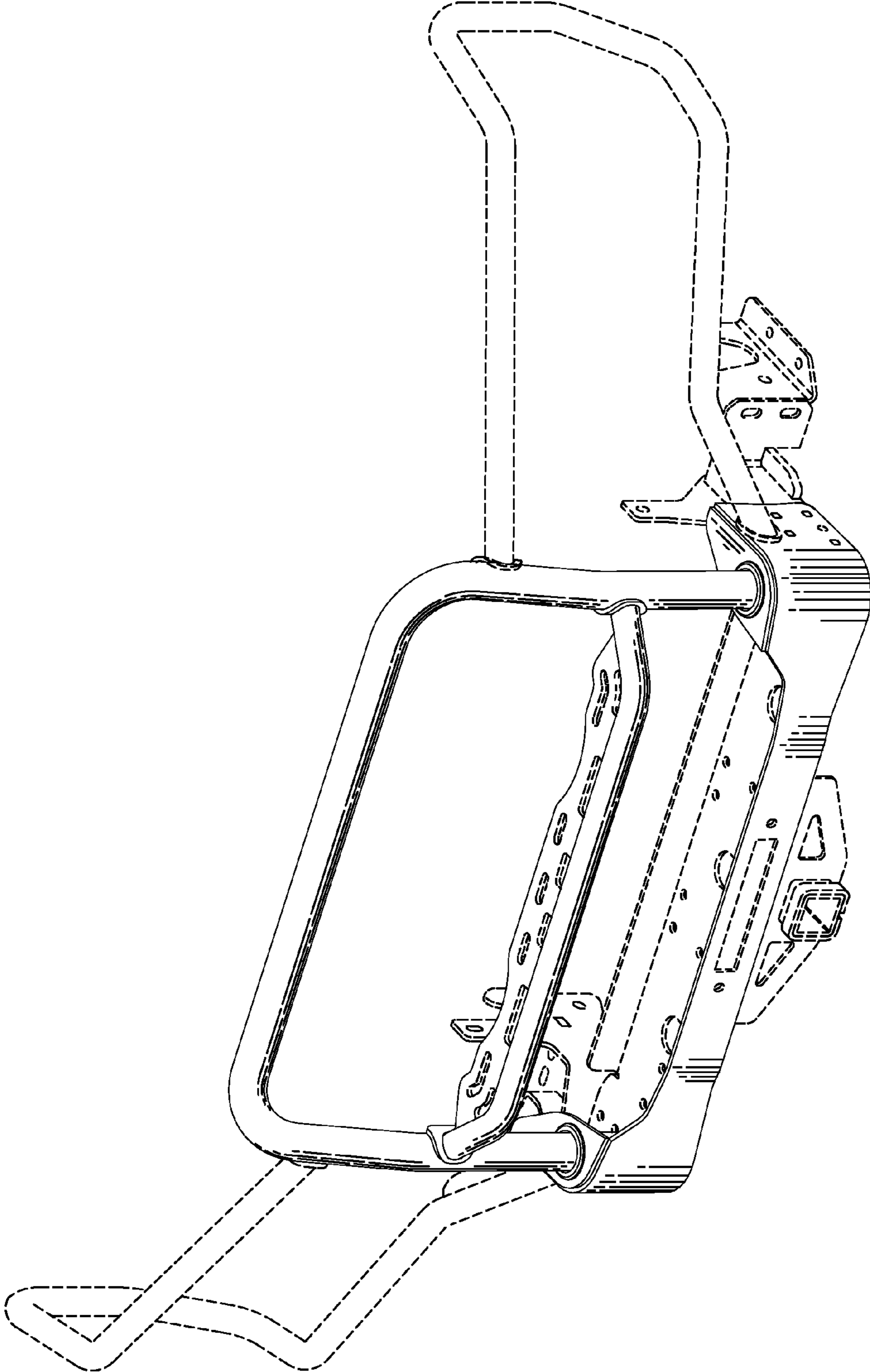


FIG. 5

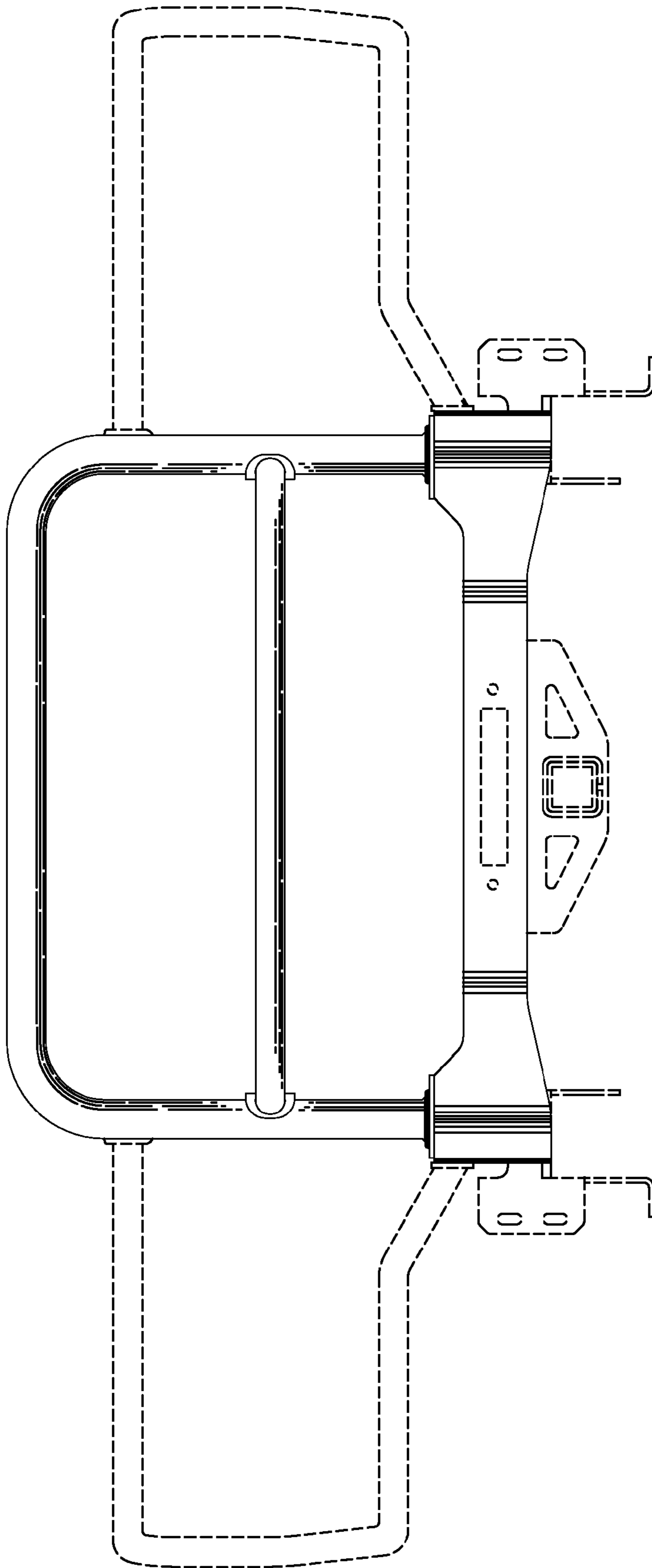


FIG. 6

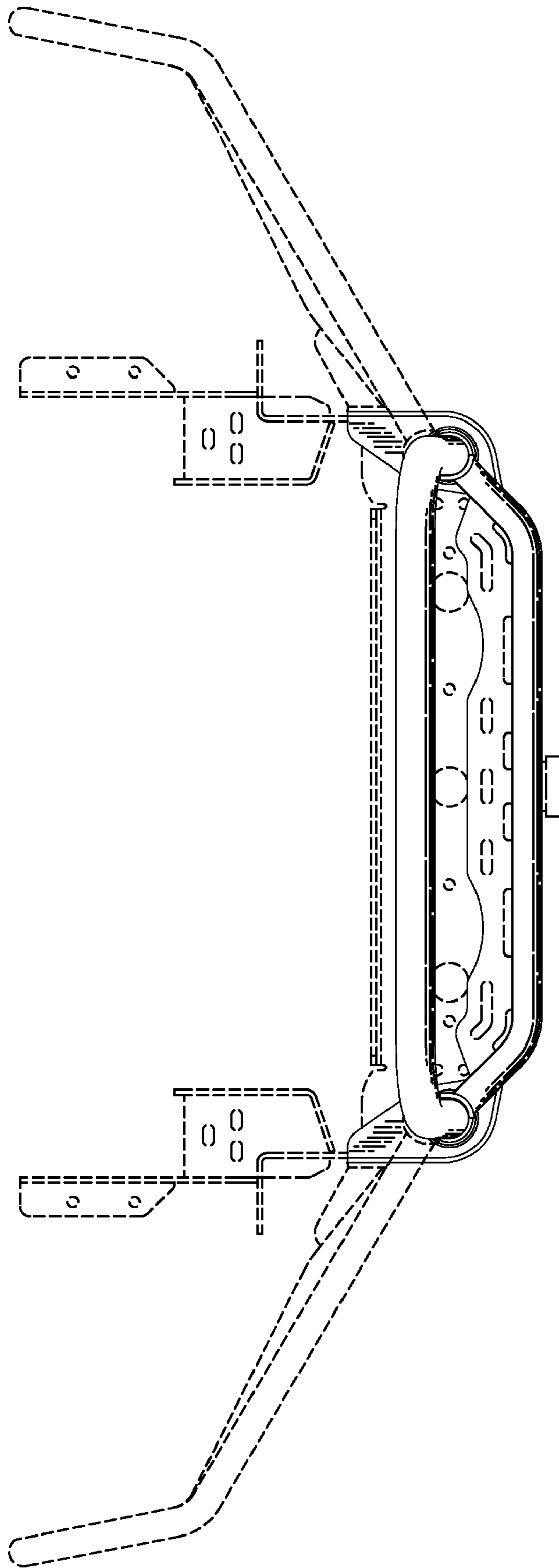


FIG. 7

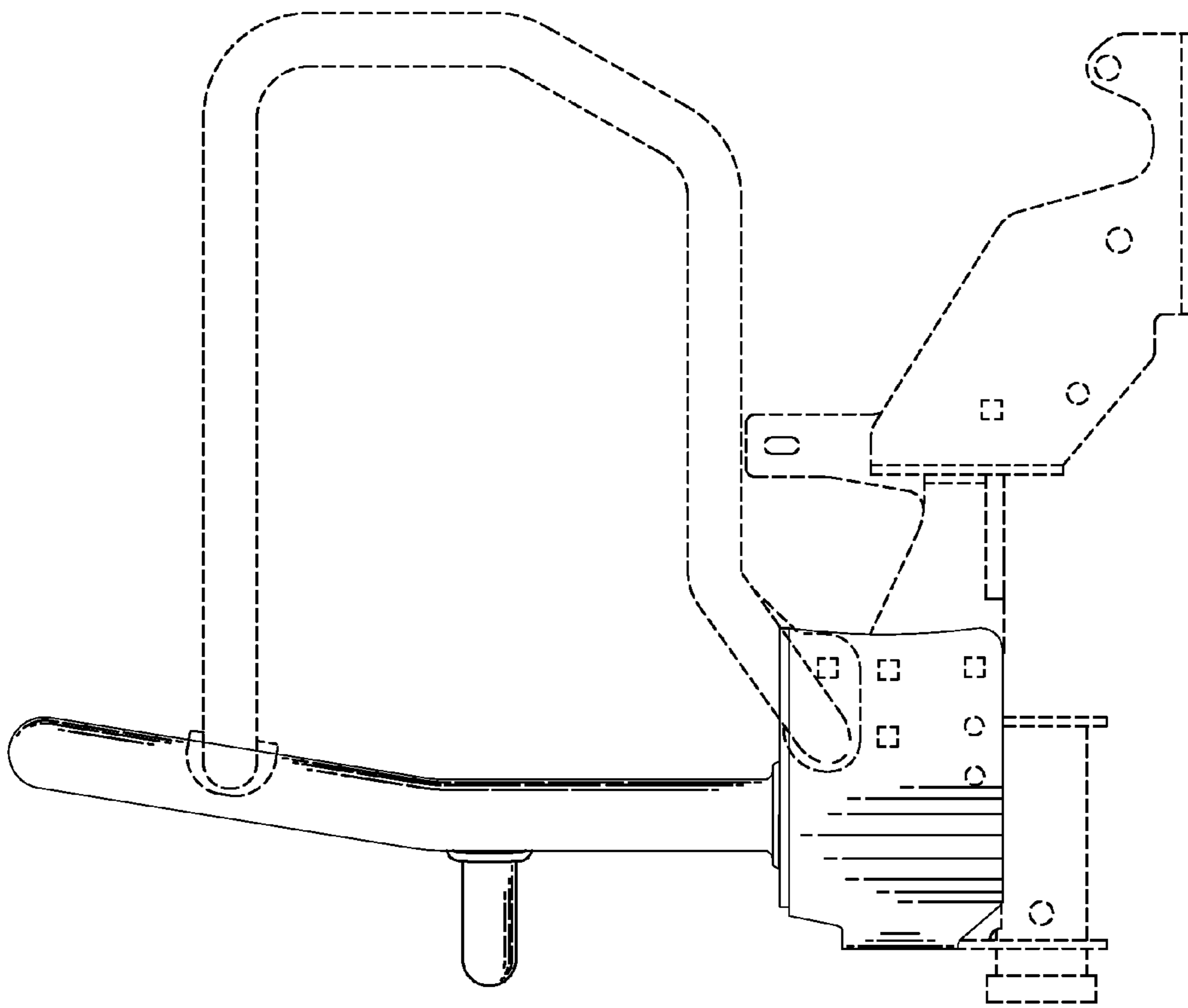


FIG. 8

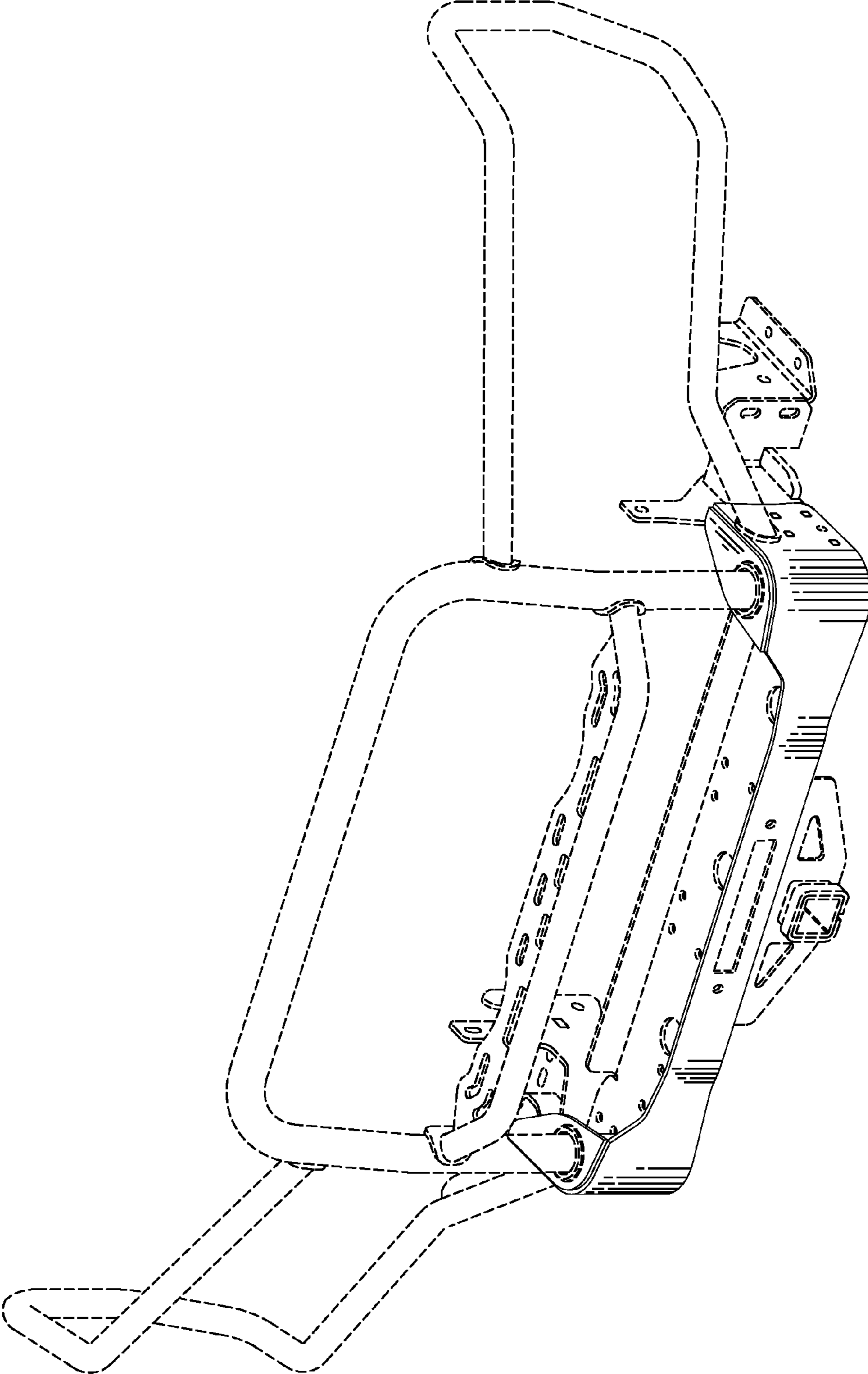


FIG. 9

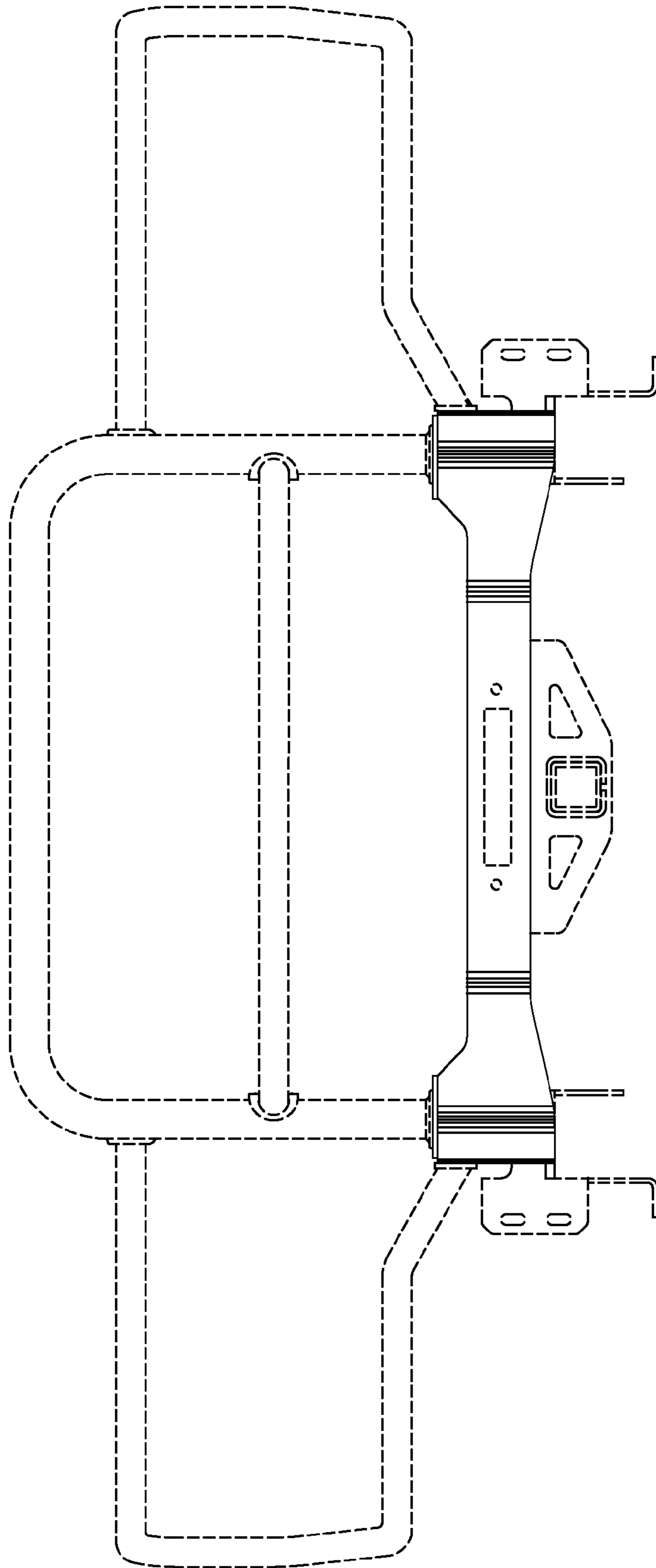


FIG. 10

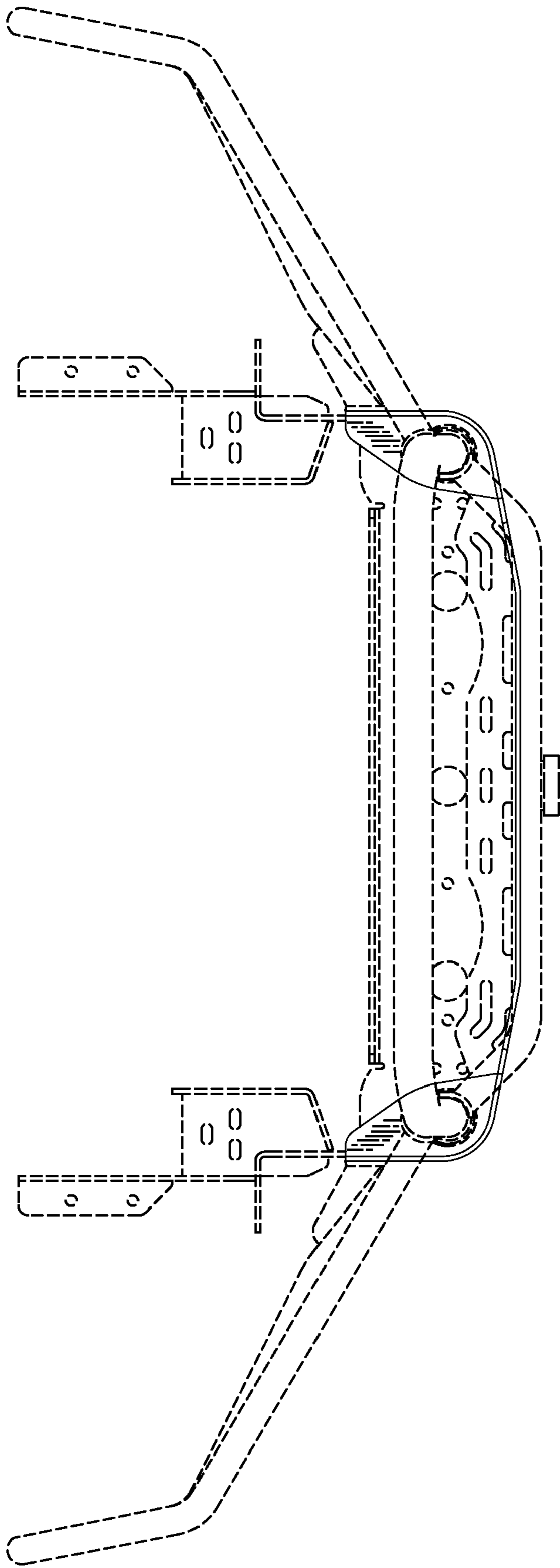


FIG. 11

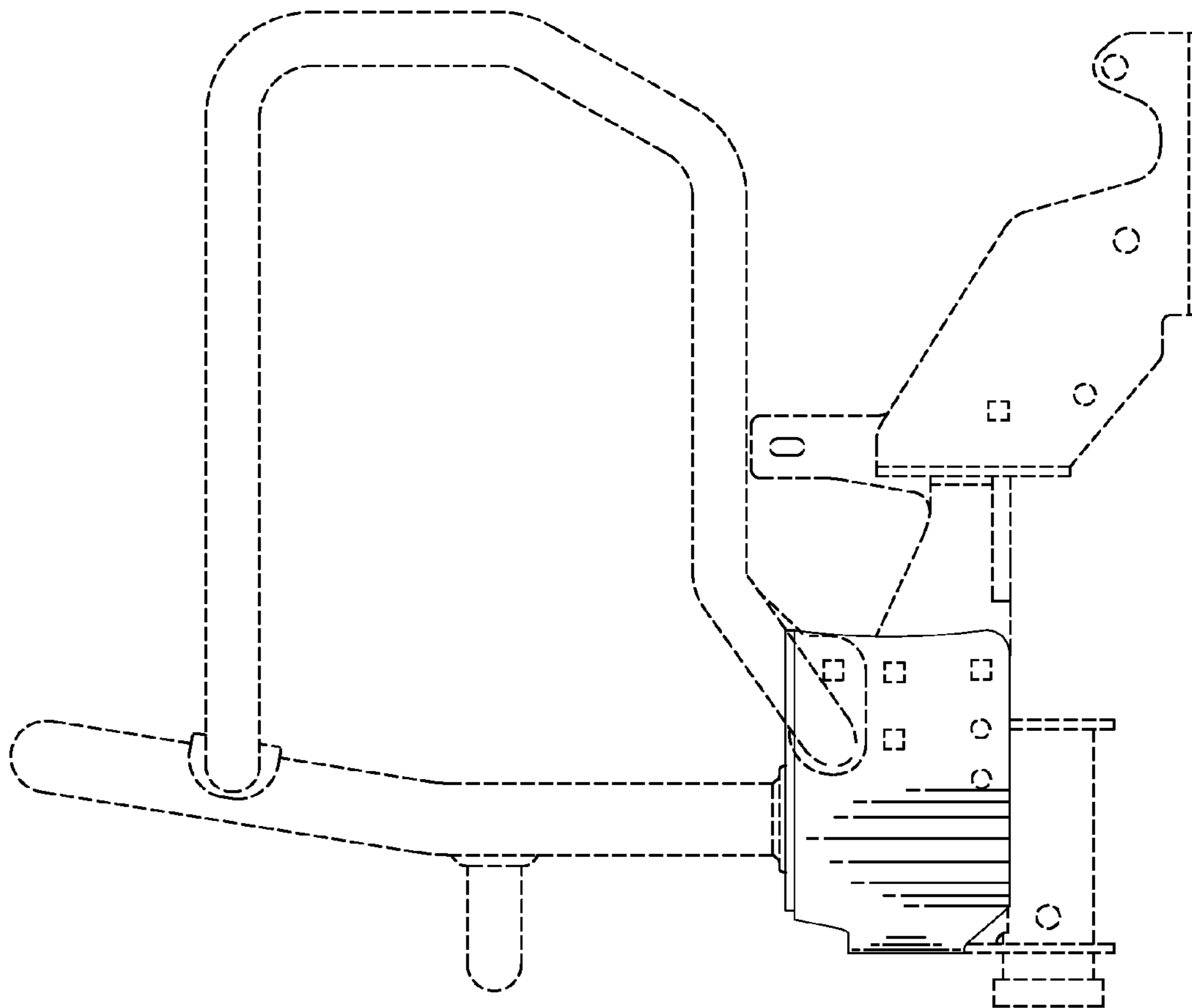


FIG. 12