



US00D614084S

(12) **United States Design Patent**  
**Tanaka et al.**

(10) **Patent No.:** **US D614,084 S**  
(45) **Date of Patent:** **\*\* Apr. 20, 2010**

(54) **ELECTRIC BICYCLE**

6,336,516 B1 \* 1/2002 McNelly ..... 180/206  
D578,440 S \* 10/2008 Giugiaro ..... D12/111  
7,568,714 B2 \* 8/2009 Sasnowski et al. .... 280/205

(75) Inventors: **Yosuke Tanaka**, Kobe (JP); **Katsuyuki Tomonaga**, Yokohama (JP)

\* cited by examiner

(73) Assignees: **Sanyo Electric Co., Ltd.**, Moriguchi-shi (JP); **Sanyo Consumer Electronics Co., Ltd.**, Tottori (JP)

*Primary Examiner*—Philip S Hyder  
*Assistant Examiner*—Linda G. Brooks

(\*\*) Term: **14 Years**

(74) *Attorney, Agent, or Firm*—Westerman, Hattori, Daniels & Adrian, LLP

(21) Appl. No.: **29/342,720**

(57) **CLAIM**

(22) Filed: **Aug. 31, 2009**

The ornamental design, for the electric bicycle, as shown and described.

(51) **LOC (9) Cl.** ..... **12-11**

**DESCRIPTION**

(52) **U.S. Cl.** ..... **D12/111**

(58) **Field of Classification Search** ..... D12/111,  
D12/110; 180/65.1–65.6, 205–207, 219,  
180/220, 216, 217; 280/274–280, 281.1,  
280/288.1–288.3

FIG. 1 is a front view of the electric bicycle;  
FIG. 2 is a rear view of the electric bicycle;  
FIG. 3 is a top view of the electric bicycle;  
FIG. 4 is a bottom view of the electric bicycle;  
FIG. 5 is a left side view of the electric bicycle; and,  
FIG. 6 is a right view of the electric bicycle.

See application file for complete search history.

(56) **References Cited**

**U.S. PATENT DOCUMENTS**

D386,723 S \* 11/1997 Fujieda ..... D12/110

**1 Claim, 4 Drawing Sheets**

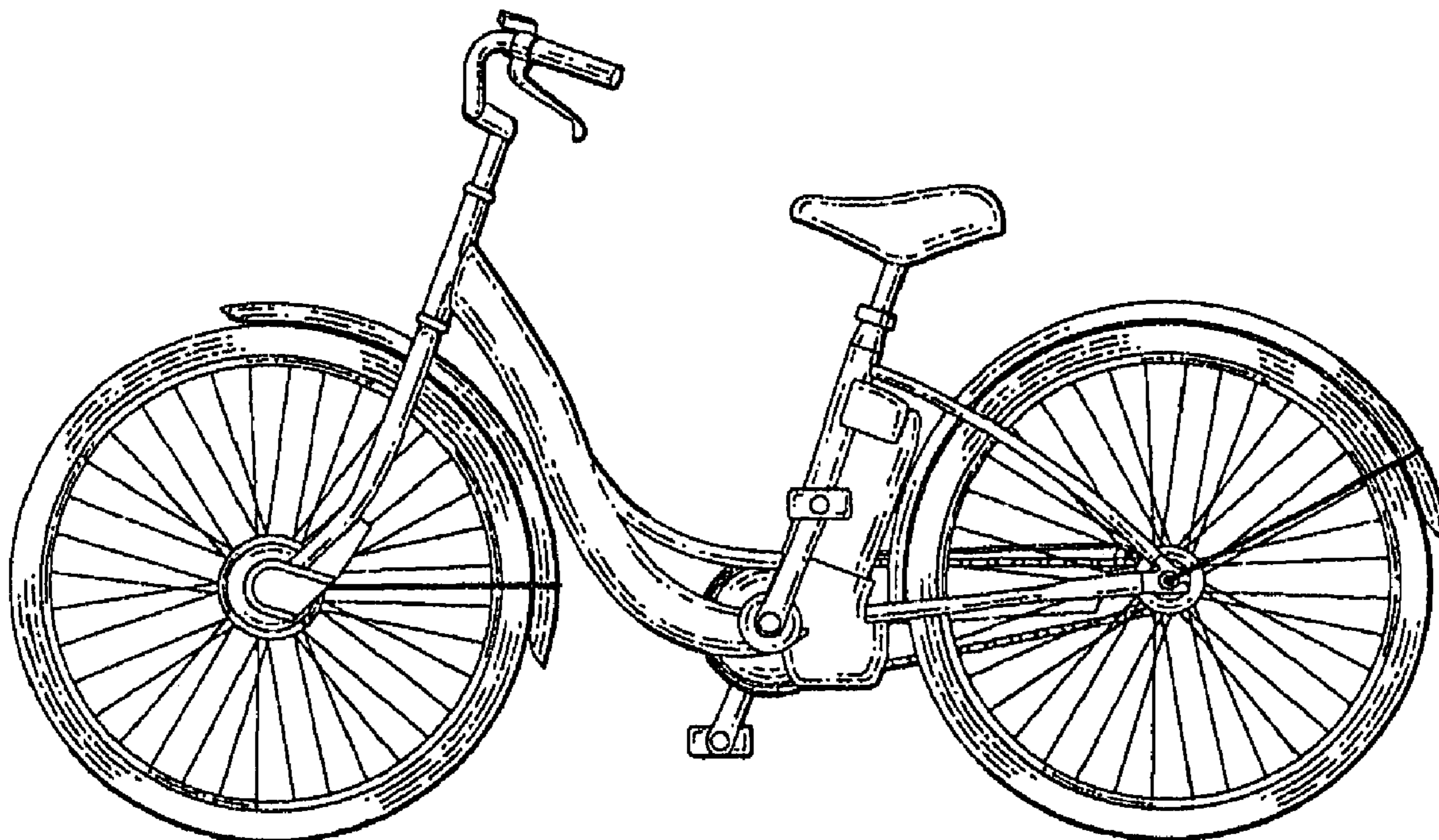


Fig. 1

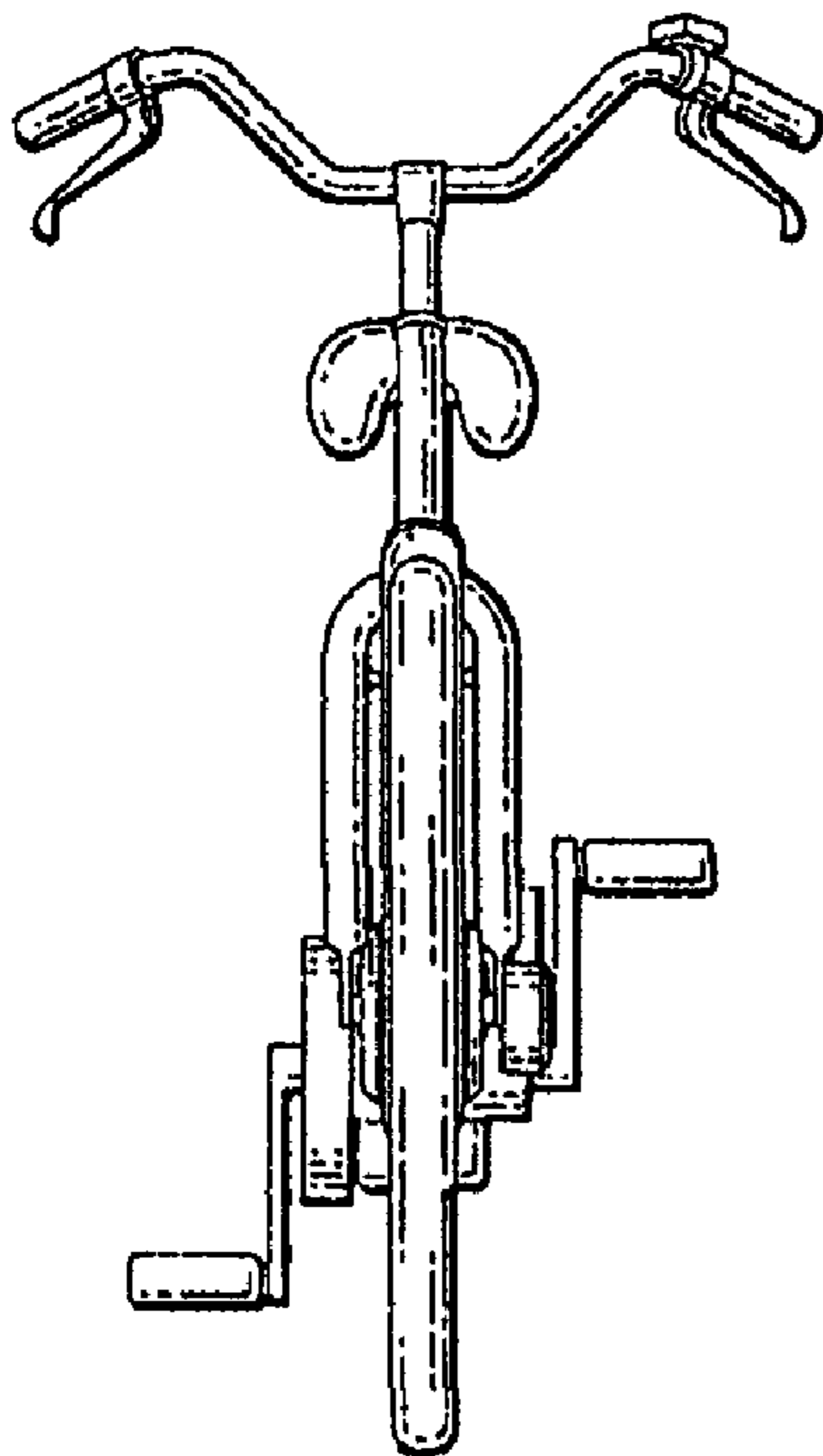


Fig. 2

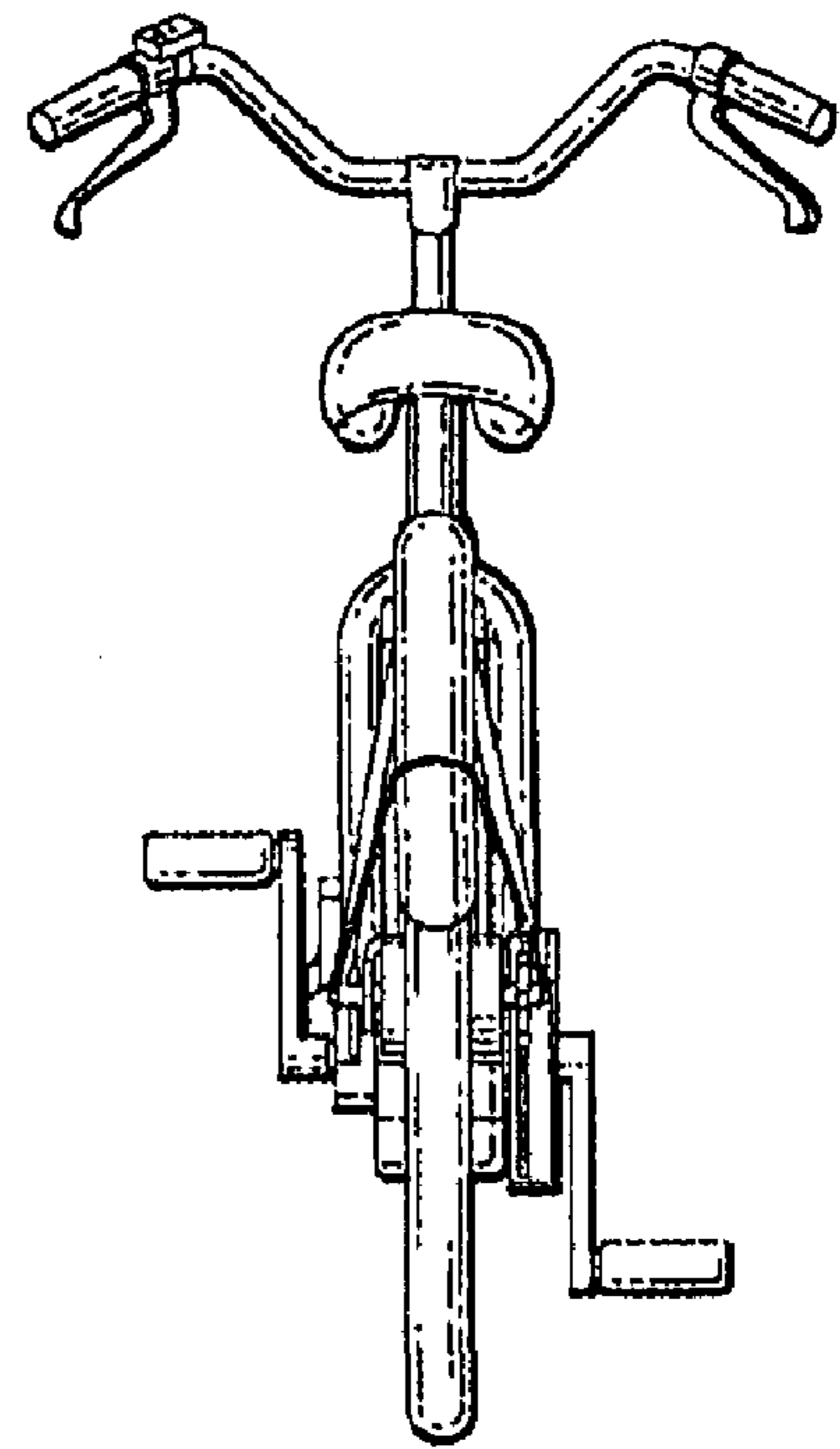


Fig. 3

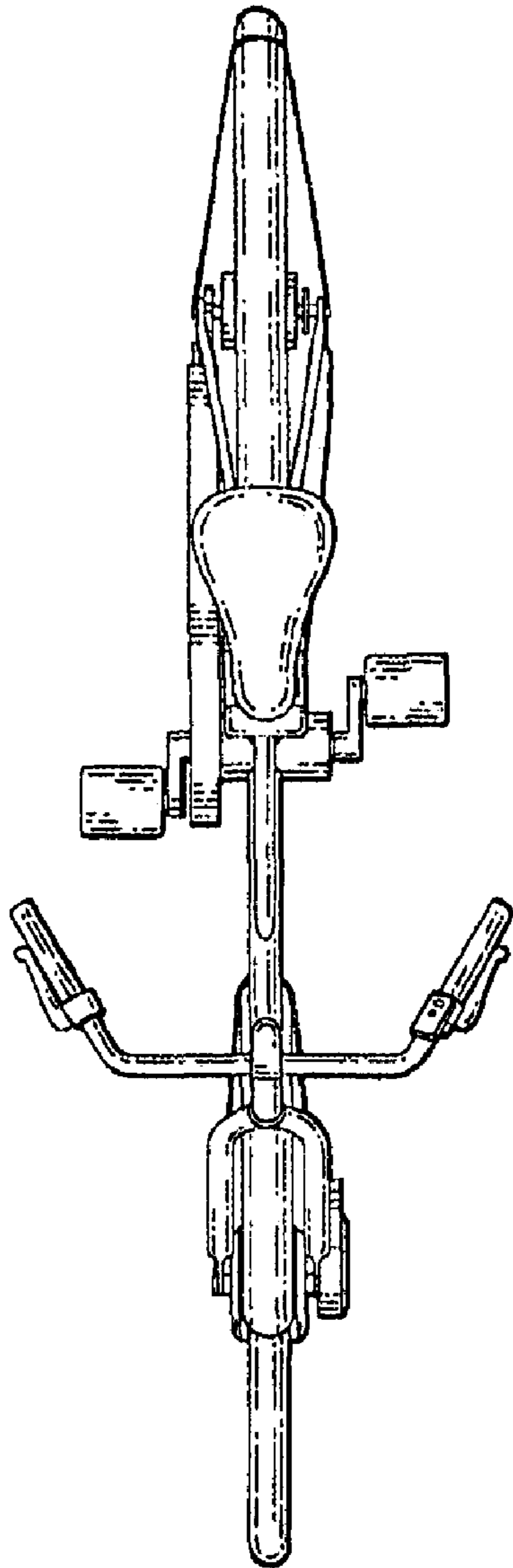


Fig. 4

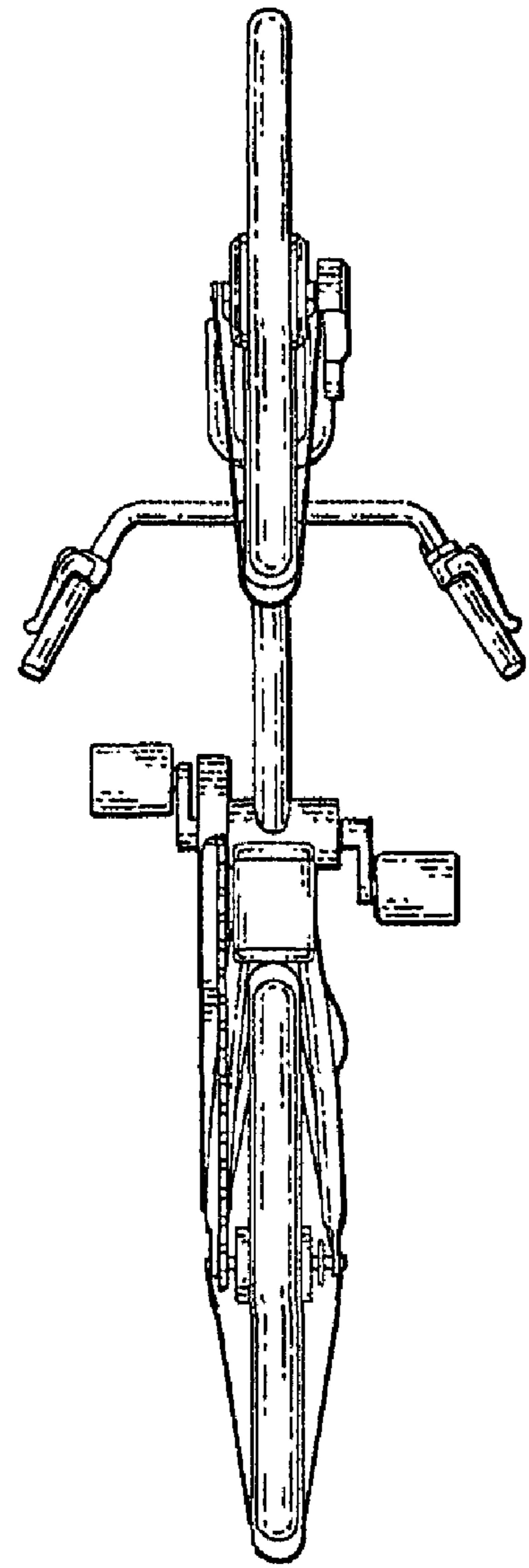


Fig. 5

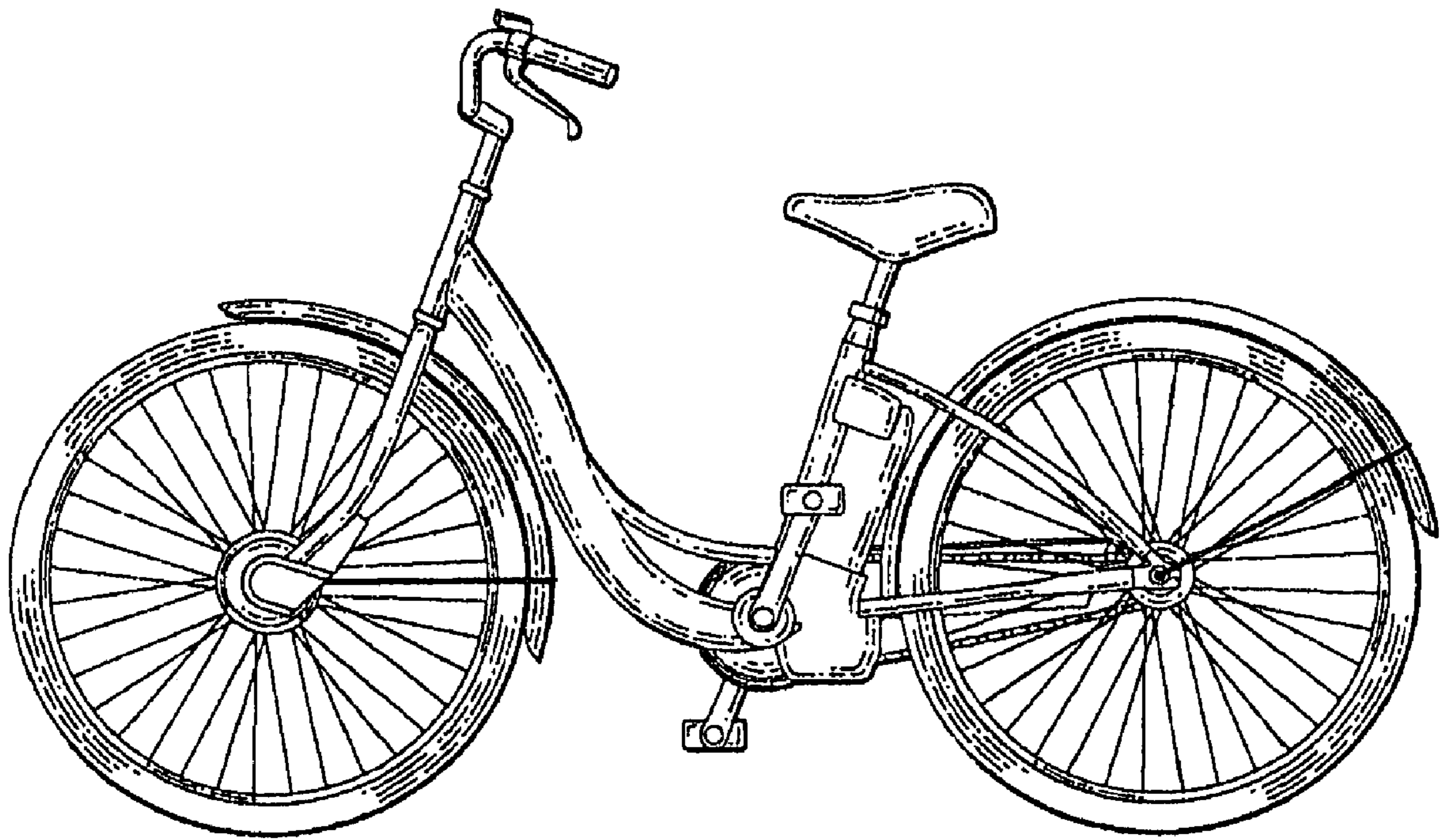


Fig. 6

