



US00D614083S

(12) **United States Design Patent**
Wainfan

(10) **Patent No.:** **US D614,083 S**

(45) **Date of Patent:** **** Apr. 20, 2010**

(54) **AUTOMOBILE**

(75) Inventor: **Barnaby Sam Wainfan**, Long Beach,
CA (US)

(73) Assignee: **Edison*2 LLC**, Charlottesville, VA (US)

(**) Term: **14 Years**

(21) Appl. No.: **29/346,033**

(22) Filed: **Oct. 26, 2009**

(51) **LOC (9) Cl.** **12-08**

(52) **U.S. Cl.** **D12/86**

(58) **Field of Classification Search** D12/86,
D12/85, 1, 3; D21/424, 433, 434; 280/181.1,
280/181.5

See application file for complete search history.

(56) **References Cited**

U.S. PATENT DOCUMENTS

D268,920 S *	5/1983	Bragdon	D12/86
D329,211 S *	9/1992	Malewicki	D12/85
D362,208 S *	9/1995	Gangnant	D12/86
D427,548 S *	7/2000	Sacco et al.	D12/85
D433,652 S *	11/2000	van den Reek	D12/86
D550,588 S *	9/2007	Starr	D12/85

* cited by examiner

Primary Examiner—Melody N Brown

(74) *Attorney, Agent, or Firm*—Jackson Walker L.L.P.;
Gaurav Goel

(57) **CLAIM**

The ornamental design for an automobile, as shown and described.

DESCRIPTION

FIG. 1 is a front perspective view of an automobile showing my new design;

FIG. 2 is a rear perspective view thereof;

FIG. 3 is a front view thereof;

FIG. 4 is a left-side view thereof, with the right-side being a minor image;

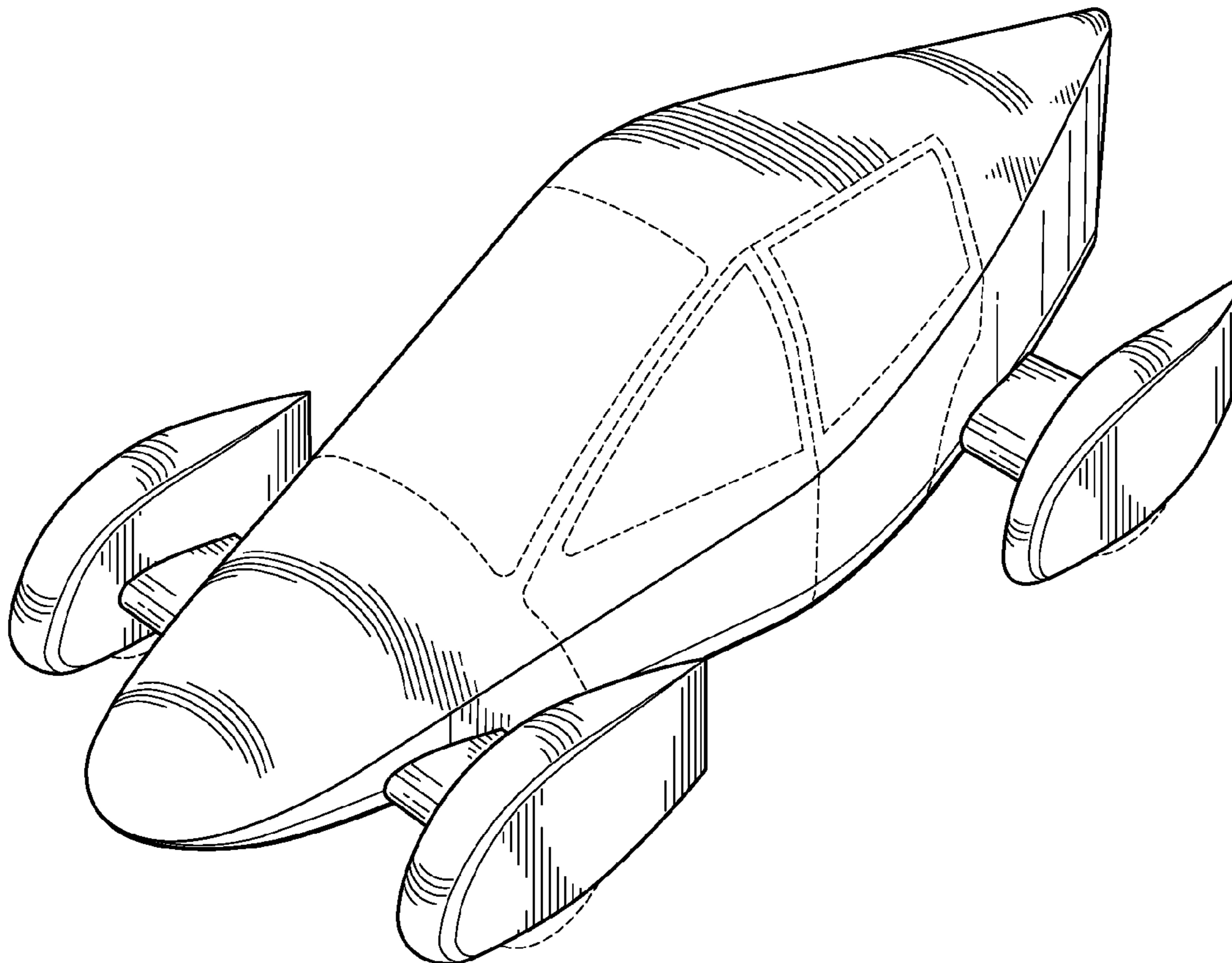
FIG. 5 is a top view thereof;

FIG. 6 is a rear view thereof; and,

FIG. 7 is a bottom view thereof.

The broken line portions shown throughout the drawing are for illustrative purposes only and form no part of the claimed design.

1 Claim, 5 Drawing Sheets



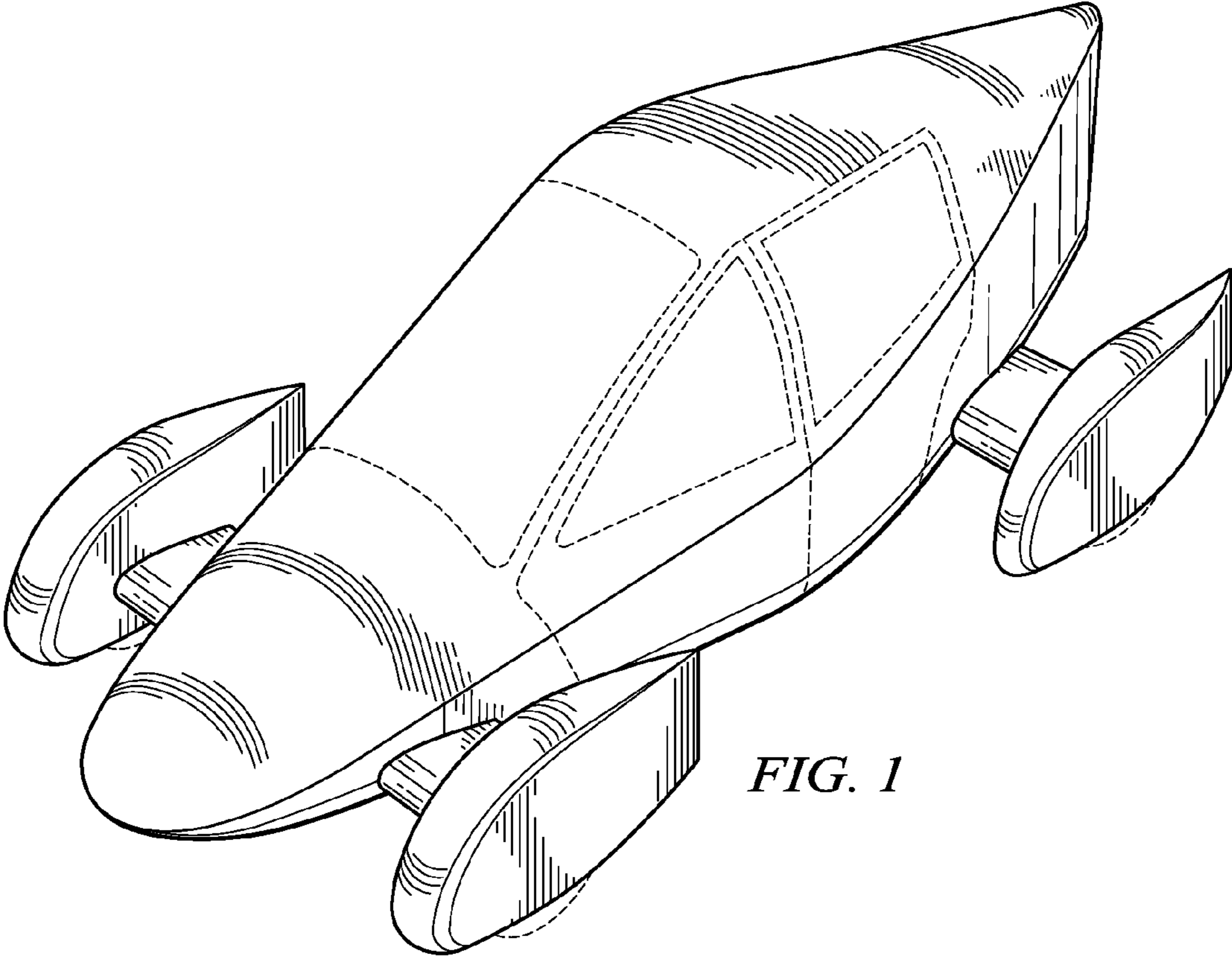


FIG. 1

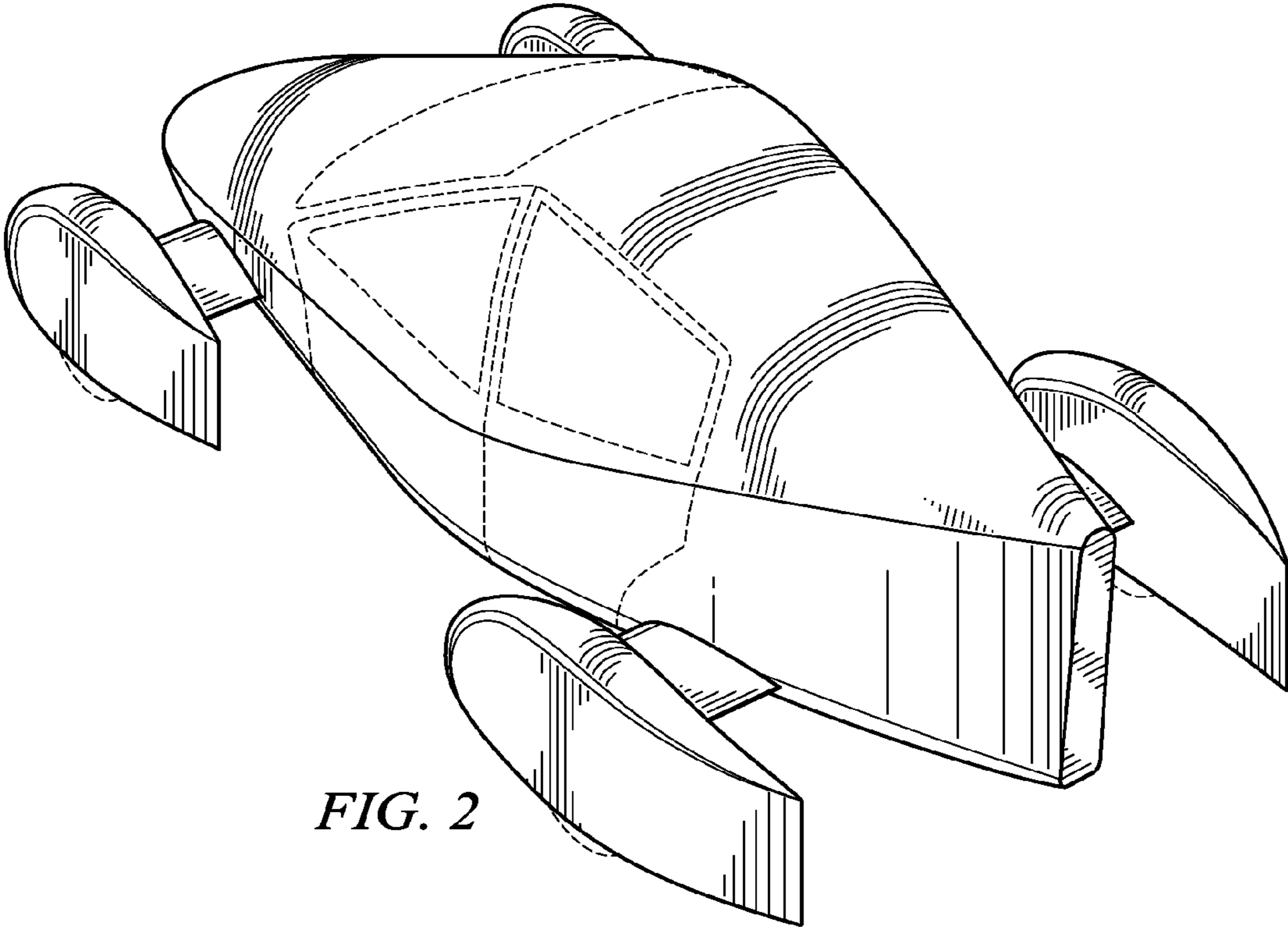


FIG. 2

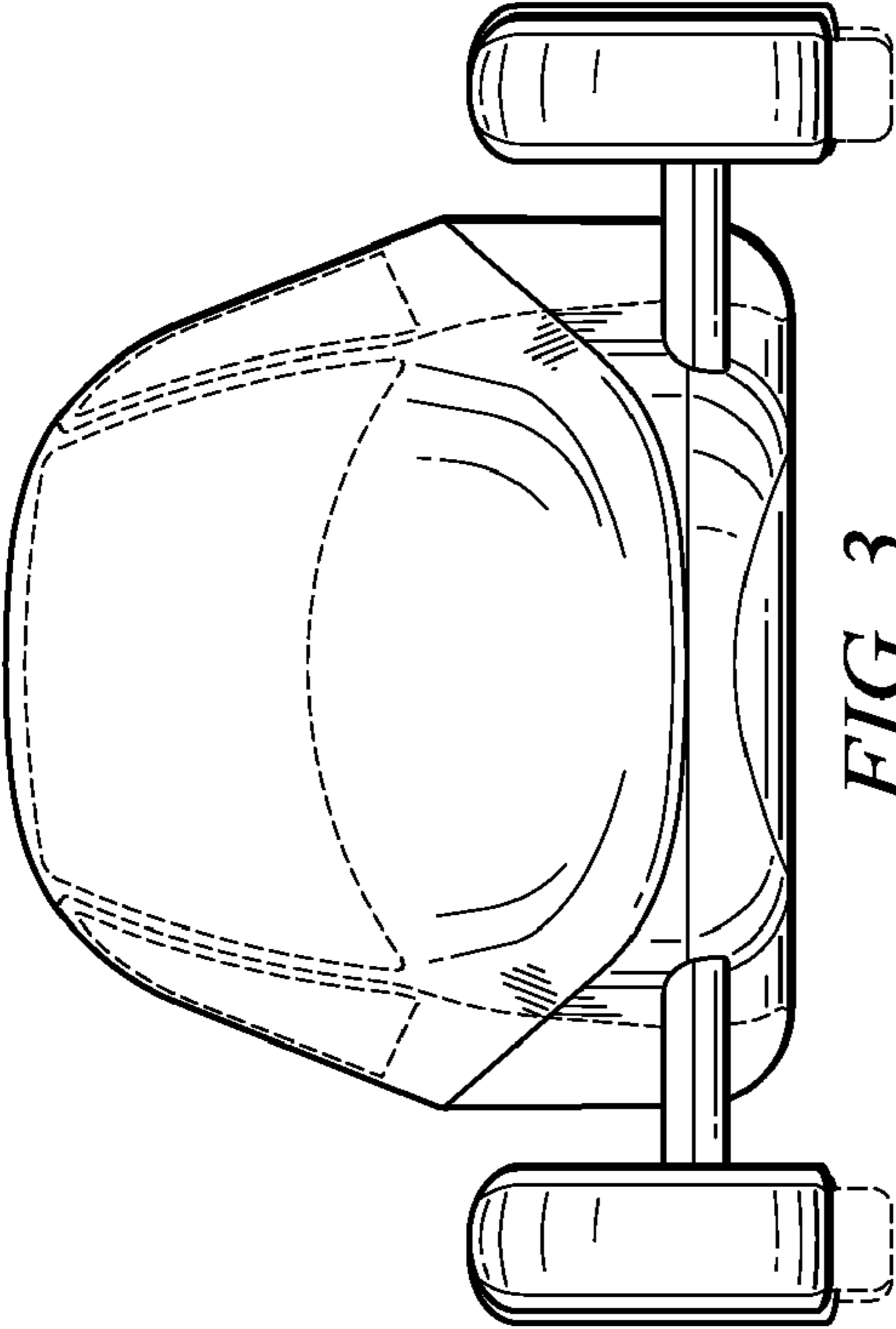


FIG. 3

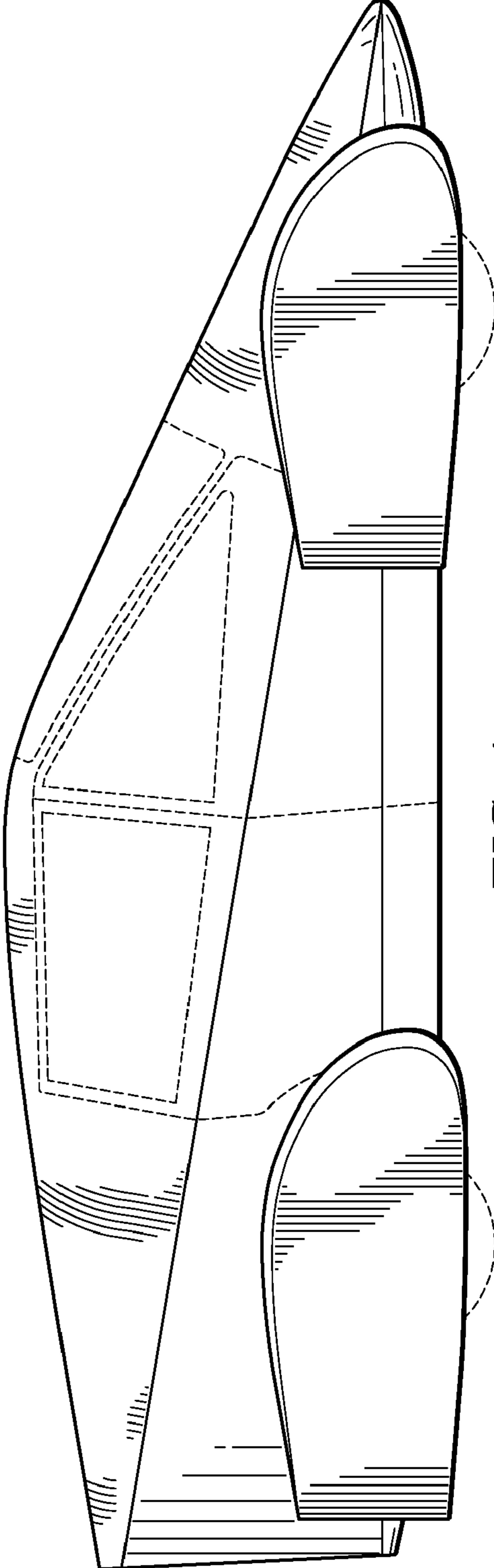


FIG. 4

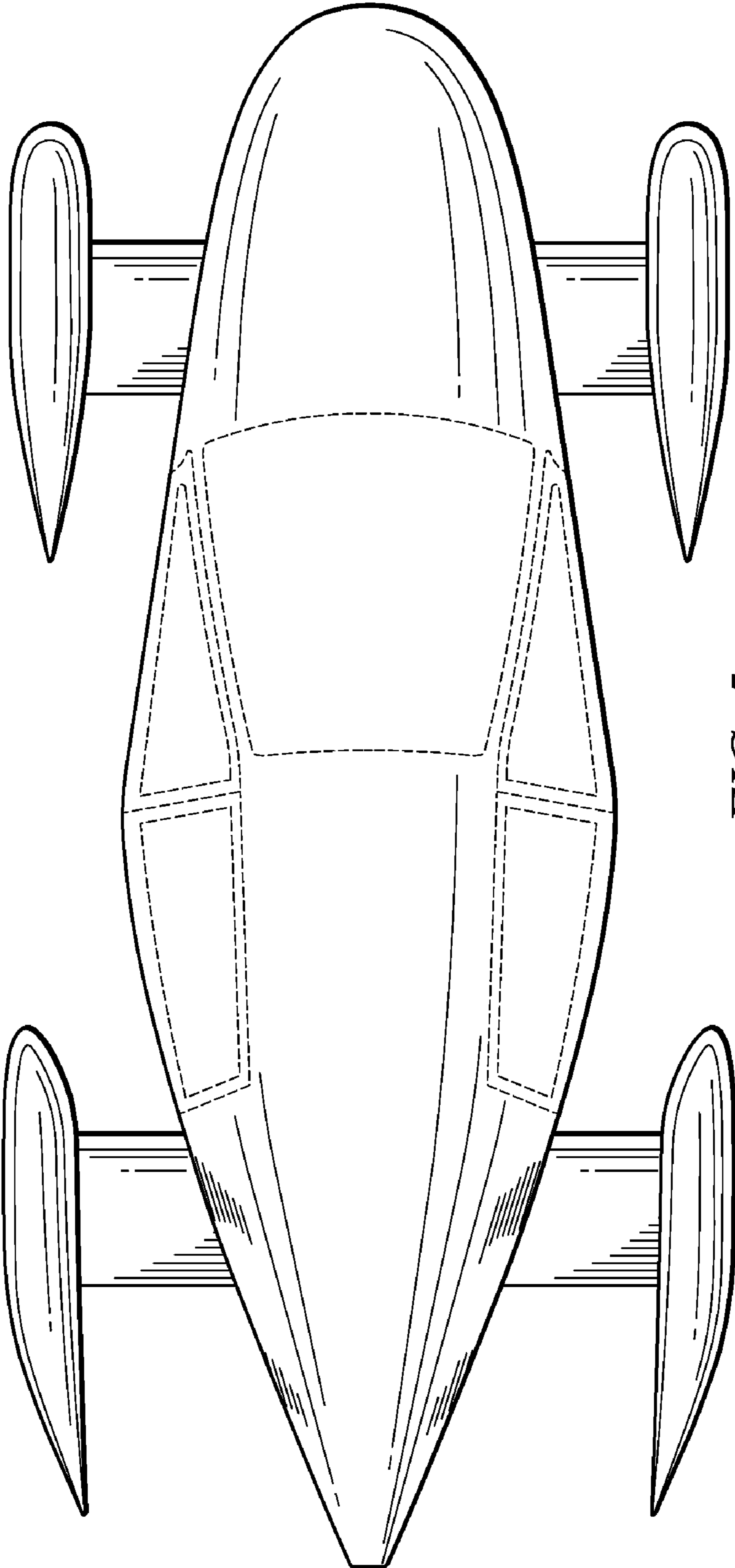


FIG. 5

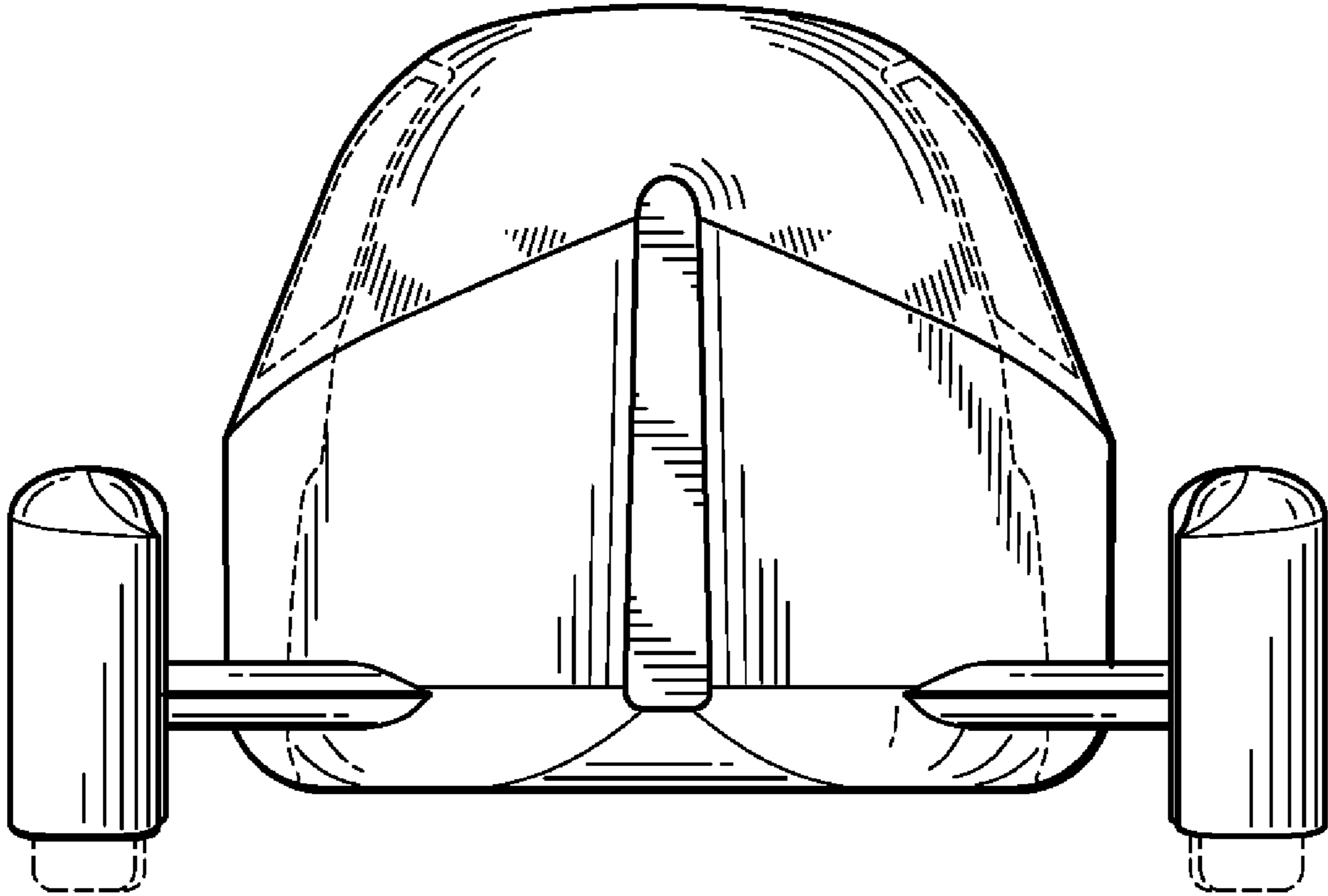


FIG. 6

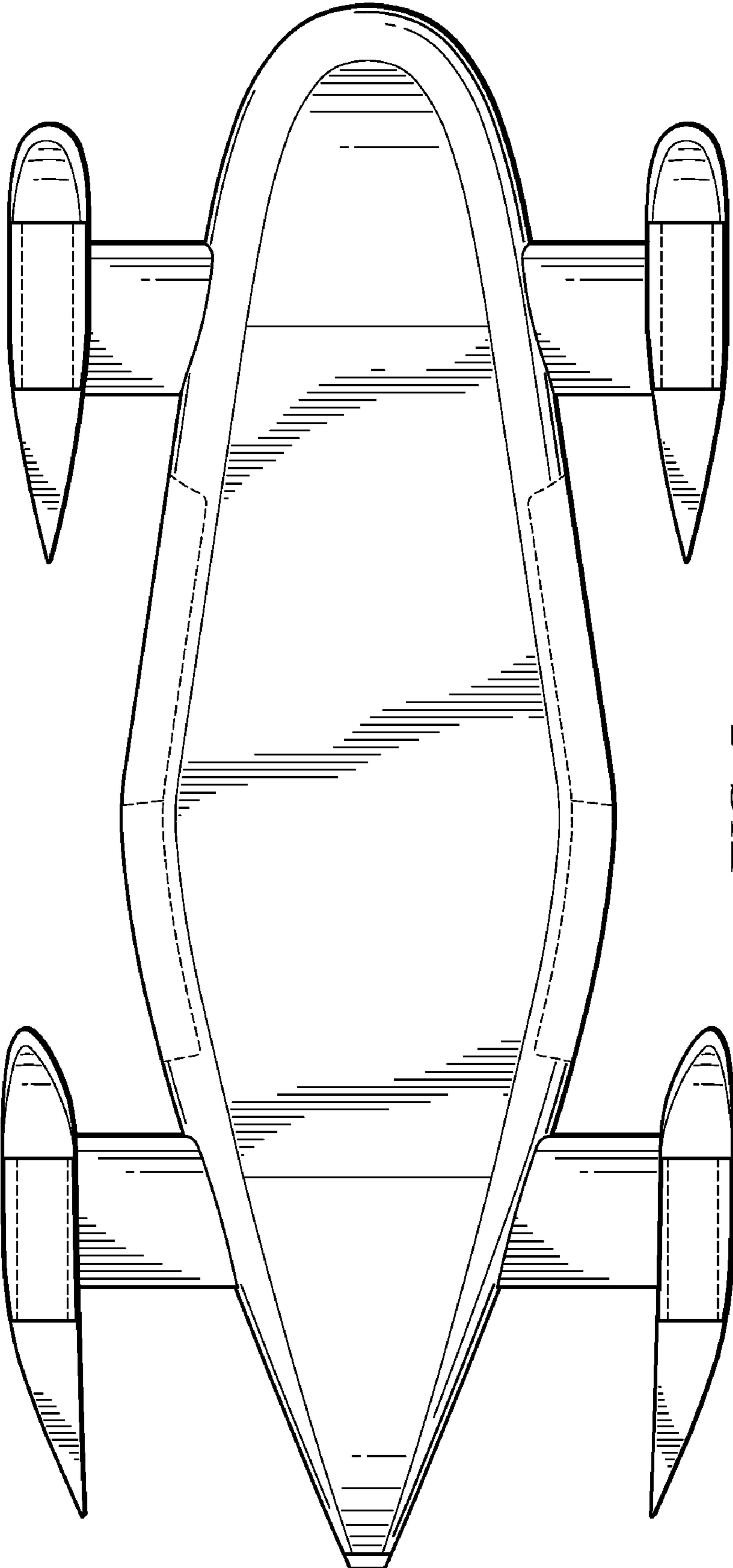


FIG. 7