



US00D614081S

(12) **United States Design Patent**
Potts et al.

(10) **Patent No.:** **US D614,081 S**
(45) **Date of Patent:** **** Apr. 20, 2010**

(54) **TABLE-TOP PLANTER WITH FLOWER
POCKETS**

(76) Inventors: **Petrania H. Potts**, 1813 Ranchwood Dr.,
Charlotte, NC (US) 28217; **Hazel Potts**,
1813 Ranchwood Dr., Charlotte, NC
(US) 28217

(**) Term: **14 Years**

(21) Appl. No.: **29/341,877**

(22) Filed: **Aug. 13, 2009**

(51) **LOC (9) Cl.** **11-02**

(52) **U.S. Cl.** **D11/152; D11/144**

(58) **Field of Classification Search** D6/403-406,
D6/556-558; D8/1; D11/143-156, 164;
D19/77, 80-82, 84; D23/355, 356; D25/100;
D26/9-11, 16, 20, 22; D34/1, 2, 4-6; D99/5,
D99/19; 47/32.4, 32.5, 32.7, 33, 39, 41.01,
47/41.1, 41.11-41.15, 42-47, 65, 65.5, 65.9,
47/66.1, 66.6, 66.7, 67-71

See application file for complete search history.

(56) **References Cited**

U.S. PATENT DOCUMENTS

D20,523 S * 2/1891 Balsley D11/152
2,700,847 A * 2/1955 Brasol 47/65.7
D198,040 S * 4/1964 Bouham D11/147

3,854,242 A * 12/1974 Gladstein 47/67
D366,855 S * 2/1996 Deelen D11/152
D397,476 S * 8/1998 Gween D11/144
D400,823 S * 11/1998 Bagshaw D11/152
D453,308 S * 2/2002 McCauley D11/152
D453,488 S * 2/2002 McCauley D11/152
D483,690 S * 12/2003 Sieverding D11/152
D598,809 S * 8/2009 Smith et al. D11/144
2006/0191196 A1 * 8/2006 Cochran 47/66.1

* cited by examiner

Primary Examiner—Caron Veynar

Assistant Examiner—Garth Rademaker

(57) **CLAIM**

The ornamental design for a table-top planter with flower pockets, as shown and described.

DESCRIPTION

FIG. 1 is an exploded perspective view of a table-top planter with flower pockets, showing our new design;

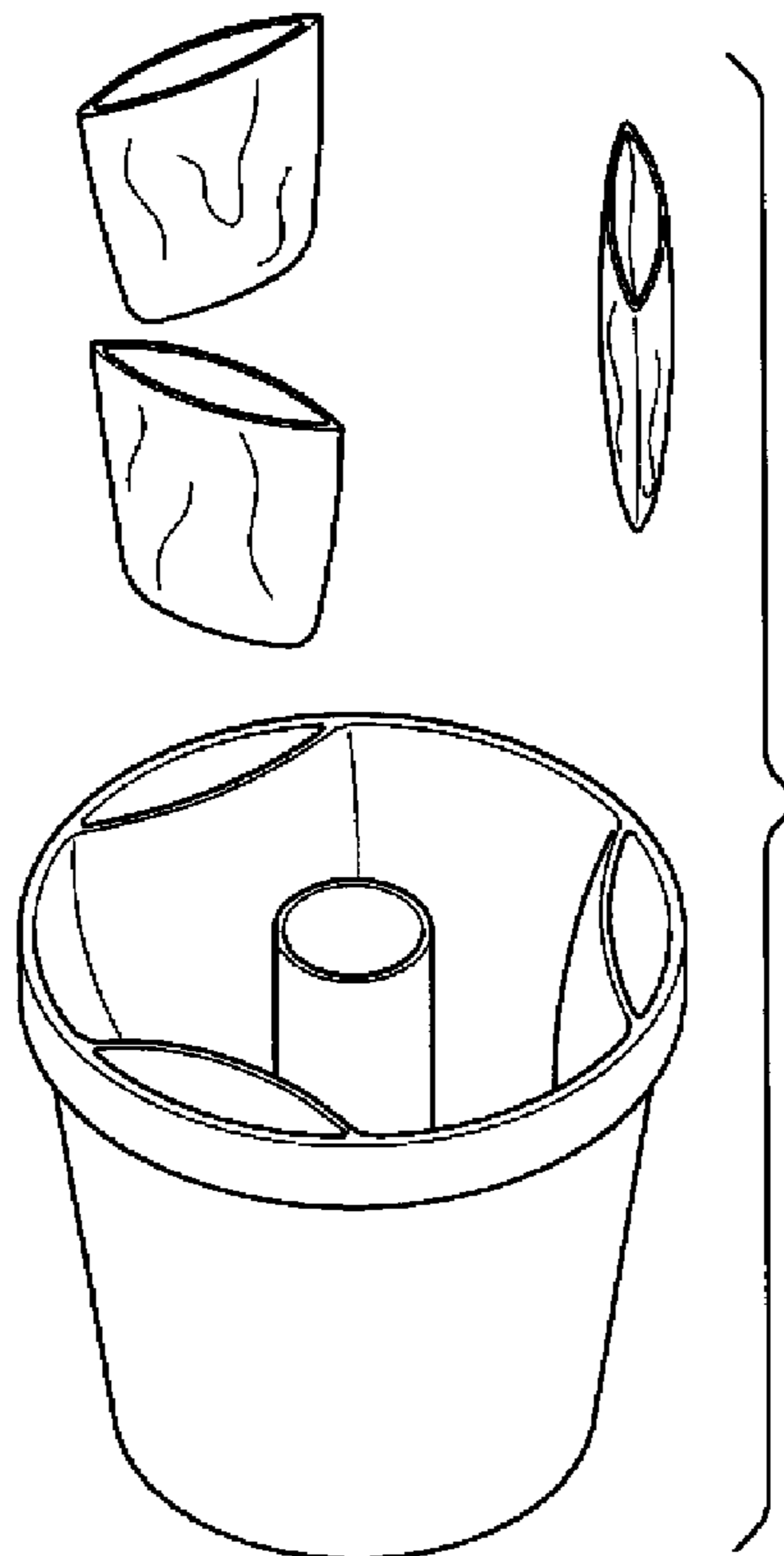
FIG. 2 is a top plan view thereof;

FIG. 3 is a front elevational view thereof; and,

FIG. 4 is a bottom plan view thereof.

The broken lines depict environmental subject matter only and form no part of the claimed design.

1 Claim, 1 Drawing Sheet



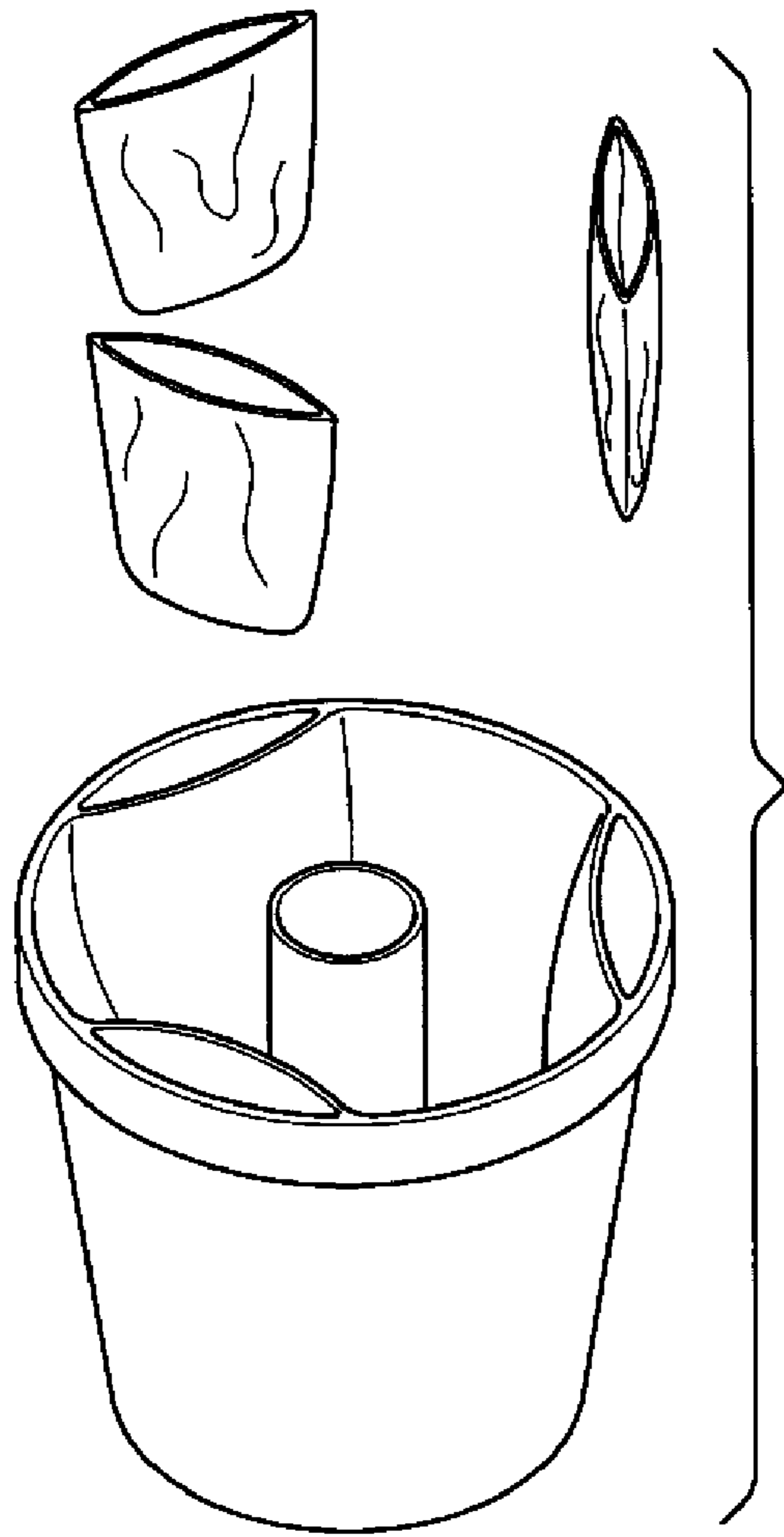


FIG. 1

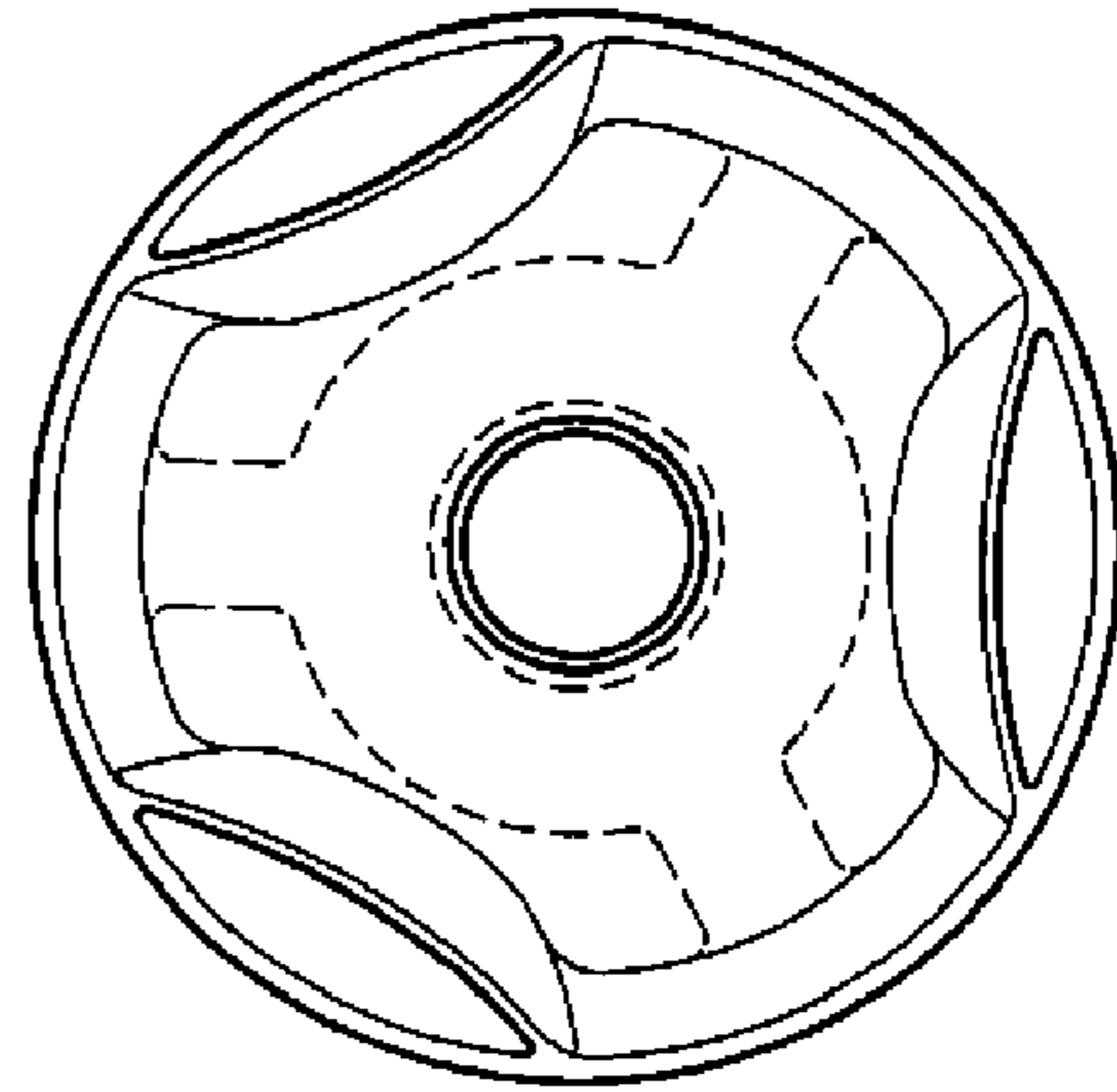


FIG. 2

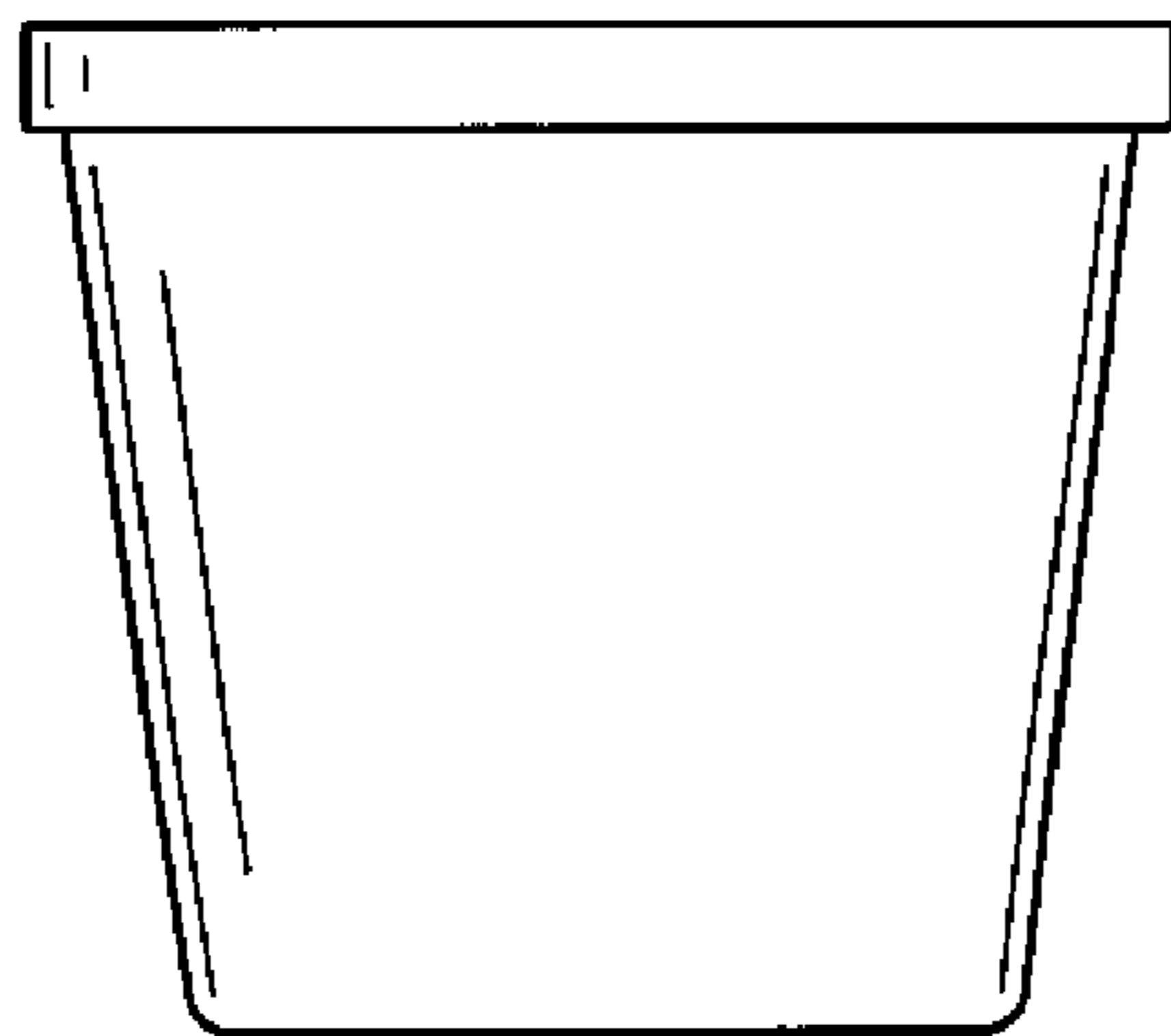


FIG. 3

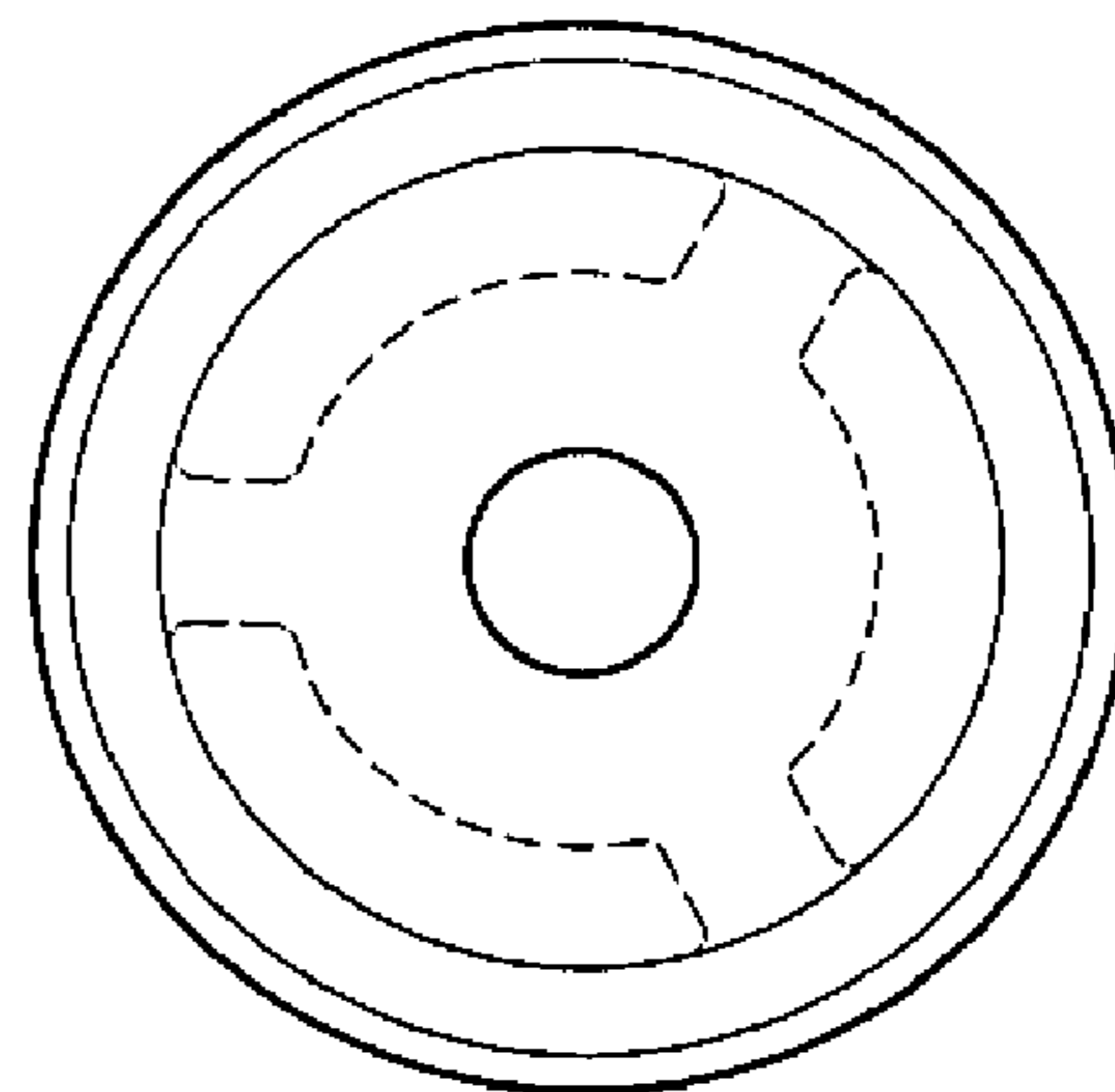


FIG. 4