



US00D614080S

(12) **United States Design Patent**
Woerner

(10) **Patent No.:** **US D614,080 S**
(45) **Date of Patent:** **** Apr. 20, 2010**

(54) **FLOWER POT**

(76) Inventor: **Daniel R. Woerner**, 361 Sandy La.,
Fredericksburg, TX (US) 78624

(**) Term: **14 Years**

(21) Appl. No.: **29/317,106**

(22) Filed: **Apr. 23, 2008**

Related U.S. Application Data

(63) Continuation of application No. 11/350,361, filed on
Feb. 9, 2006, now abandoned.

(51) **LOC (9) Cl.** **11-02**

(52) **U.S. Cl.** **D11/152**

(58) **Field of Classification Search** D6/556-558;
D8/1; D11/143-156; D19/77, 80, 81; D26/9,
D26/16; D34/1, 2, 4-6; D99/5, 19; 47/33,
47/41.01, 41.1, 41.11-41.15, 65.5, 66.6,
47/66.7, 67, 71

See application file for complete search history.

(56) **References Cited**

U.S. PATENT DOCUMENTS

357,698	A *	2/1887	Burrough	47/71
2,246,346	A *	6/1941	Carroll	431/298
D162,243	S	2/1951	Simmons		
4,167,080	A *	9/1979	Mickelson	47/71
4,232,482	A *	11/1980	Watt et al.	47/71
D271,035	S *	10/1983	Pomerenke	D11/152

4,700,507	A	10/1987	Allen		
4,845,889	A	7/1989	Taylor		
D410,757	S *	6/1999	Clark	D26/23
D417,637	S *	12/1999	Appleton	D11/148
6,226,933	B1	5/2001	Nelson et al.		
6,357,172	B1	3/2002	Risgaard		
D461,742	S *	8/2002	Carlson	D11/152
D489,501	S *	5/2004	Dretzka	D34/1
6,862,844	B1 *	3/2005	Rubicz	47/71
D572,168	S *	7/2008	Kurtz	D11/152
D586,255	S *	2/2009	Rashid et al.	D11/152
D589,311	S *	3/2009	Hoover et al.	D8/1

* cited by examiner

Primary Examiner—Caron Veynar

Assistant Examiner—Garth Rademaker

(57) **CLAIM**

The ornamental design for a flower pot, as shown and described.

DESCRIPTION

FIG. 1 is a front elevation view of a flower pot, showing my new design;

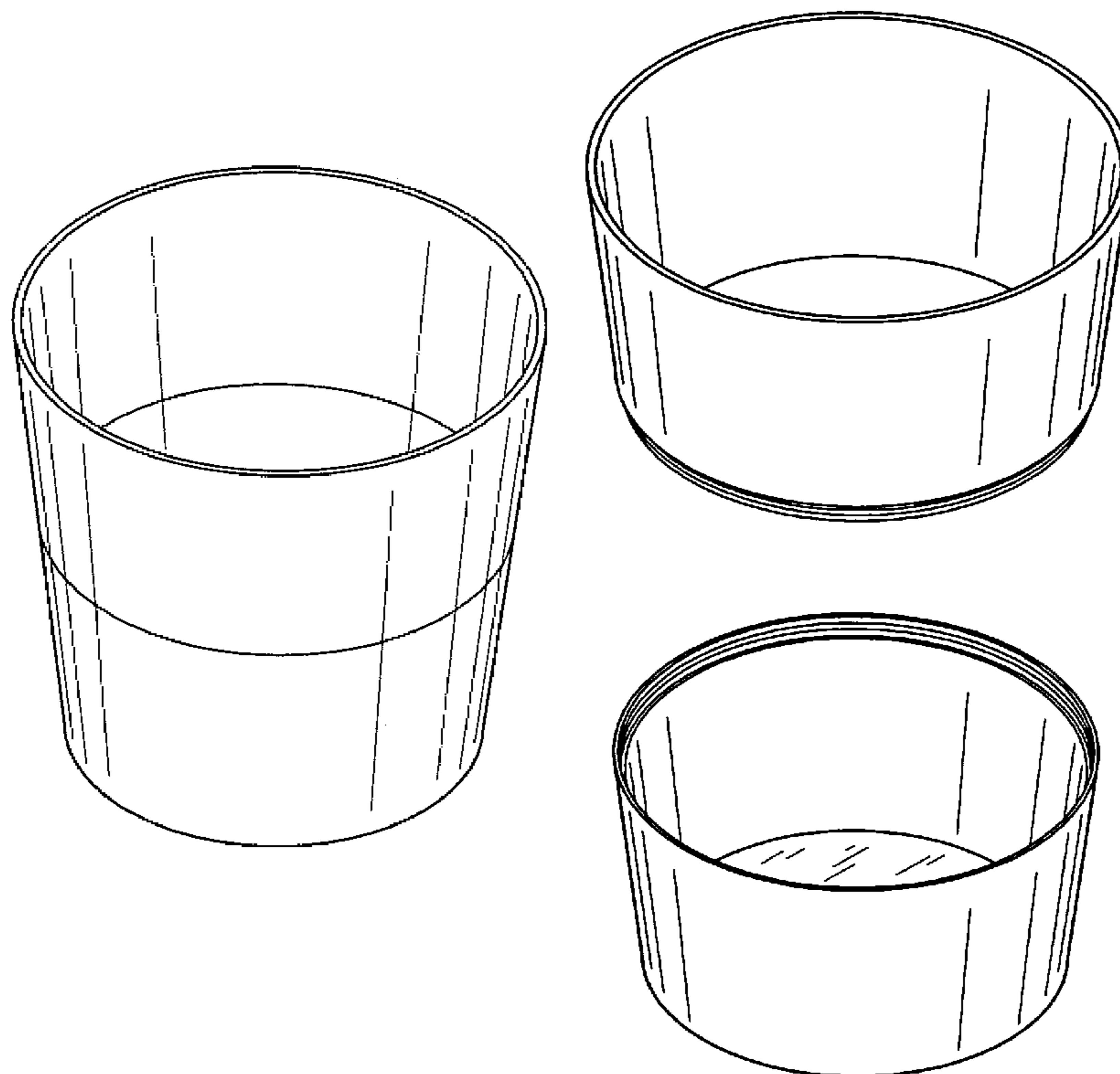
FIG. 2 is a top plan view of the flower pot;

FIG. 3 is a bottom plan view of the flower pot;

FIG. 4 is a perspective view of the flower pot; and,

FIG. 5 is a perspective view of the flower pot, shown with the parts separated.

1 Claim, 3 Drawing Sheets



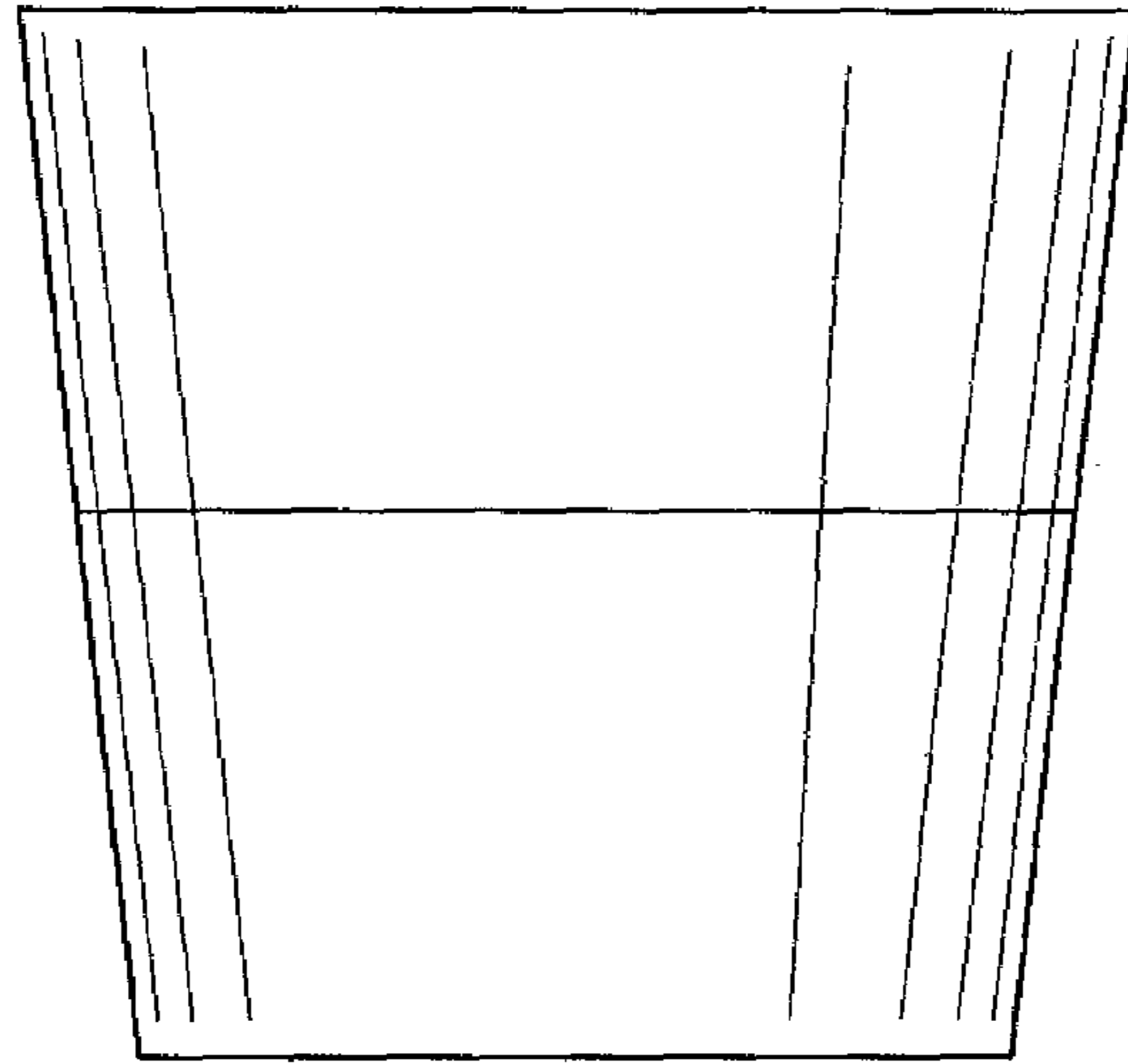


FIG. 1

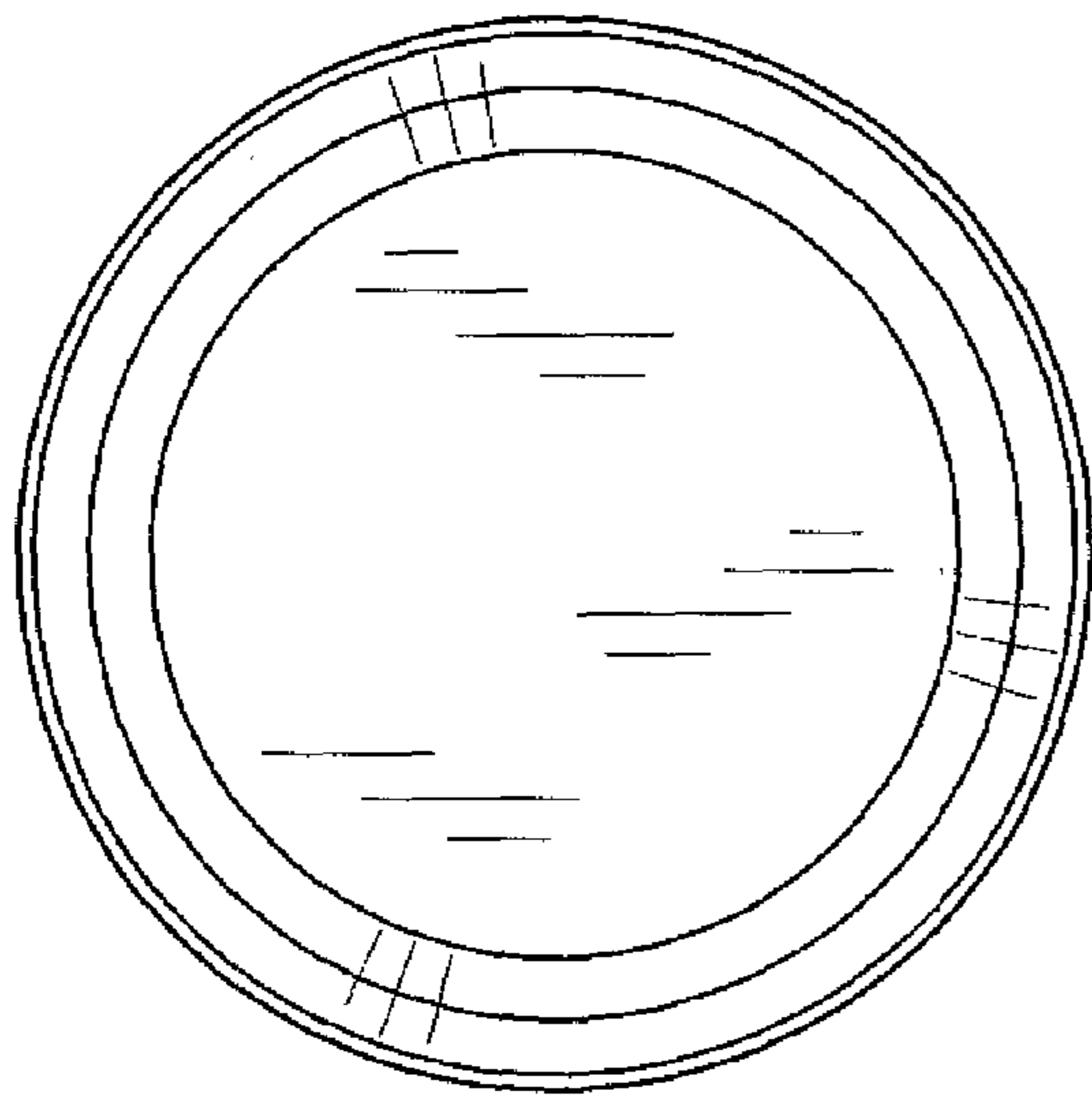


FIG. 2

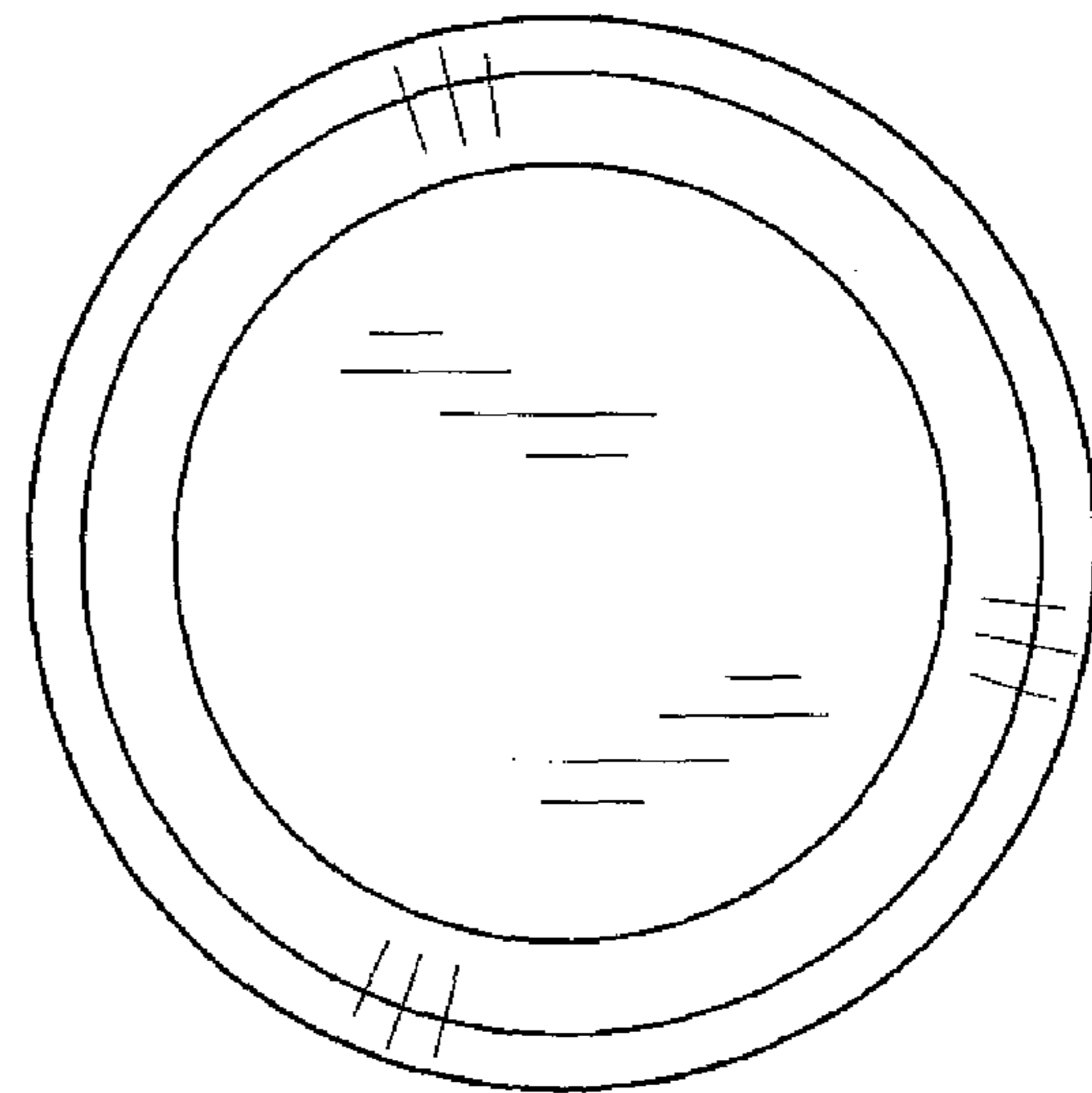


FIG. 3

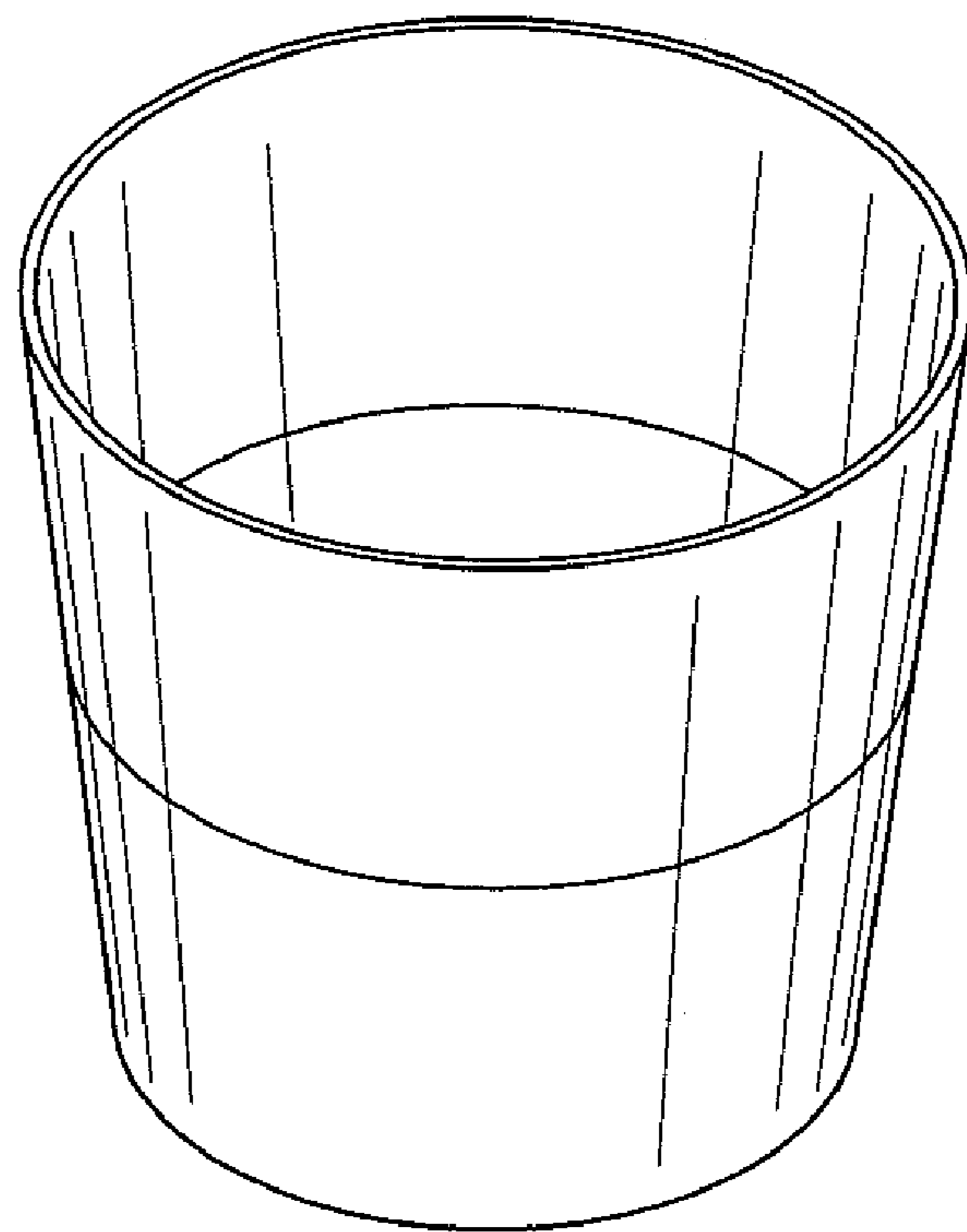


FIG. 4

FIG. 5

