



US00D614078S

(12) **United States Design Patent**
DiPaolo et al.

(10) **Patent No.:** **US D614,078 S**

(45) **Date of Patent:** **** Apr. 20, 2010**

(54) **STAKING SYSTEM FOR GROWING CONTAINER**

(75) Inventors: **Frank DiPaolo**, Scranton, PA (US);
Matthew Markefka, Richboro, PA (US); **Clifford Fay**, Harveys Lake, PA (US)

(73) Assignee: **Laminations, Inc.**, Archbald, PA (US)

(**) Term: **14 Years**

(21) Appl. No.: **29/339,507**

(22) Filed: **Jul. 1, 2009**

Related U.S. Application Data

(60) Division of application No. 11/953,521, filed on Dec. 10, 2007, which is a continuation of application No. 11/374,307, filed on May 1, 2006, now abandoned.

(51) **LOC (9) Cl.** **11-02**

(52) **U.S. Cl.** **D11/143**

(58) **Field of Classification Search** D6/403-406, D6/556-558; D8/1; D11/143-156, 164; D19/77, 80-82, 84; D23/355, 356; D25/100; D26/9-11, 16, 20, 22; D34/1, 2, 4-6; D99/5, D99/19; 47/32.4, 32.5, 32.7, 33, 39, 41.01, 47/41.1, 41.11-41.15, 42-47, 65, 65.5, 65.9, 47/66.1, 66.6, 66.7, 67-71

See application file for complete search history.

(56) **References Cited**

U.S. PATENT DOCUMENTS

D181,370 S * 11/1957 Pickering D11/149

D236,569 S *	9/1975	Kramer	D11/156
D304,239 S *	10/1989	Miller	D34/6
D471,687 S *	3/2003	Cristo	D34/1
D593,767 S *	6/2009	Kurtz	D6/405
D597,762 S *	8/2009	Caruso	D6/405
2008/0250712 A1 *	10/2008	DiPaolo et al.	47/79
2009/0056217 A1 *	3/2009	Dipaolo et al.	47/70
2009/0056220 A1 *	3/2009	Dipaolo et al.	47/79

* cited by examiner

Primary Examiner—Caron Veynar

Assistant Examiner—Garth Rademaker

(74) *Attorney, Agent, or Firm*—William E. Jackson; Douglas E. Jackson; Stites & Harbison, PLLC

(57) **CLAIM**

The ornamental design for a staking system for growing container, as shown and described.

DESCRIPTION

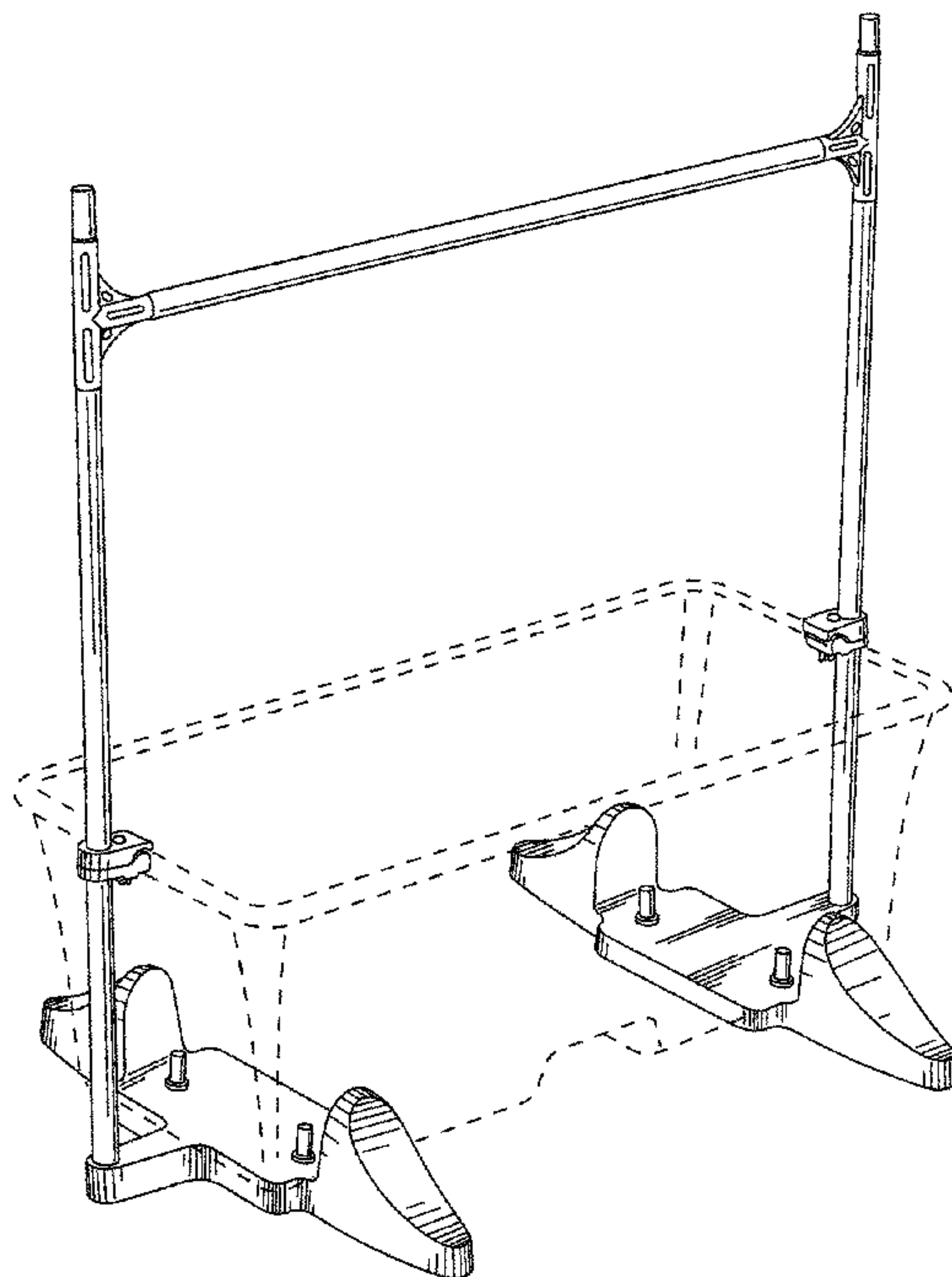
FIG. 1 is a front view showing a staking system for growing container, the rear view being a mirror image thereof;

FIG. 2 is a right side view thereof, the left side view being a mirror image thereof; and,

FIG. 3 is a perspective top front, and left side view thereof.

The broken lines in FIG. 1-3 showing a growing container are for the purpose of illustrating the environment of use of the design and form no part of the claimed design.

1 Claim, 2 Drawing Sheets



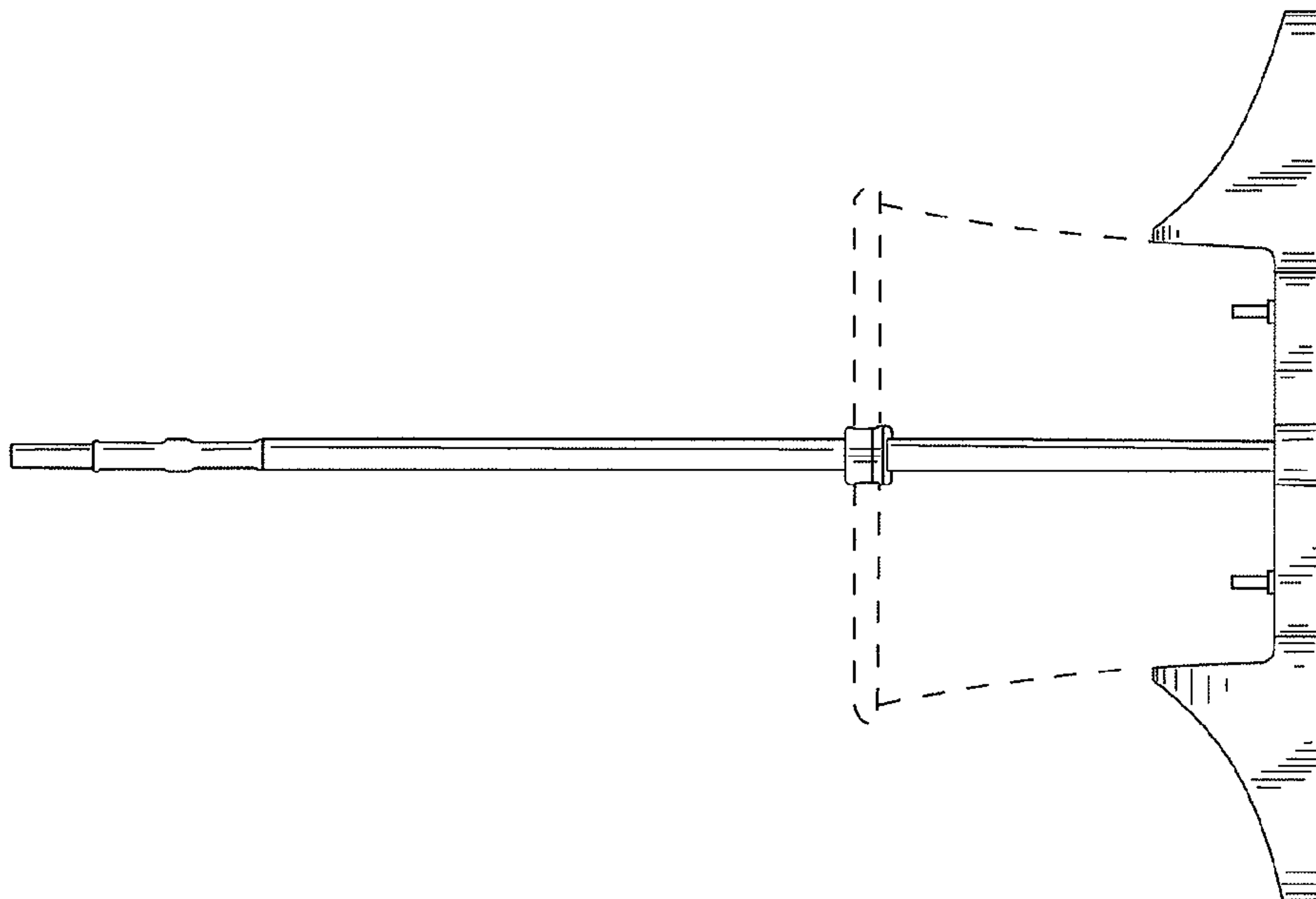


Fig. 2

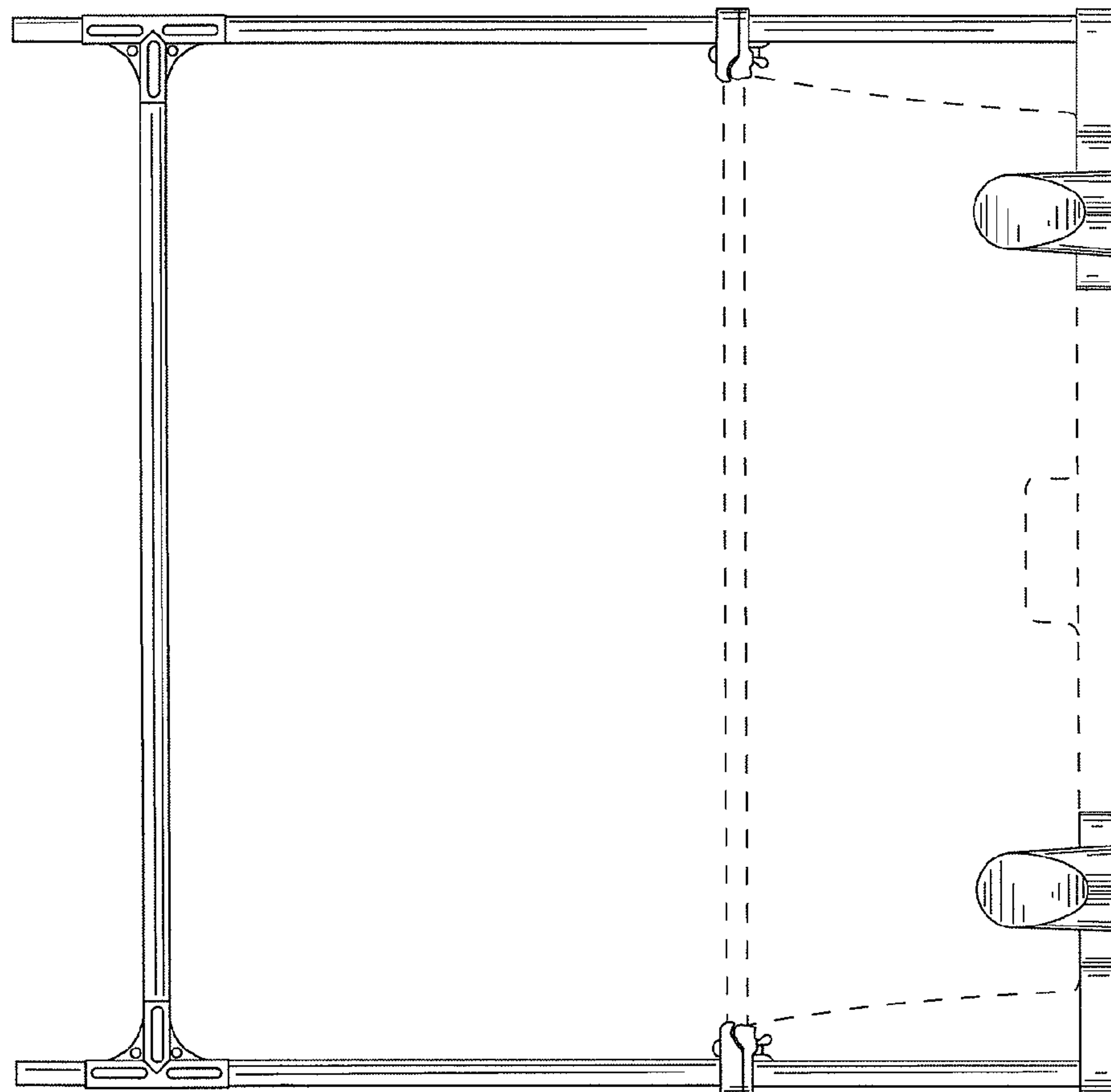


Fig. 1

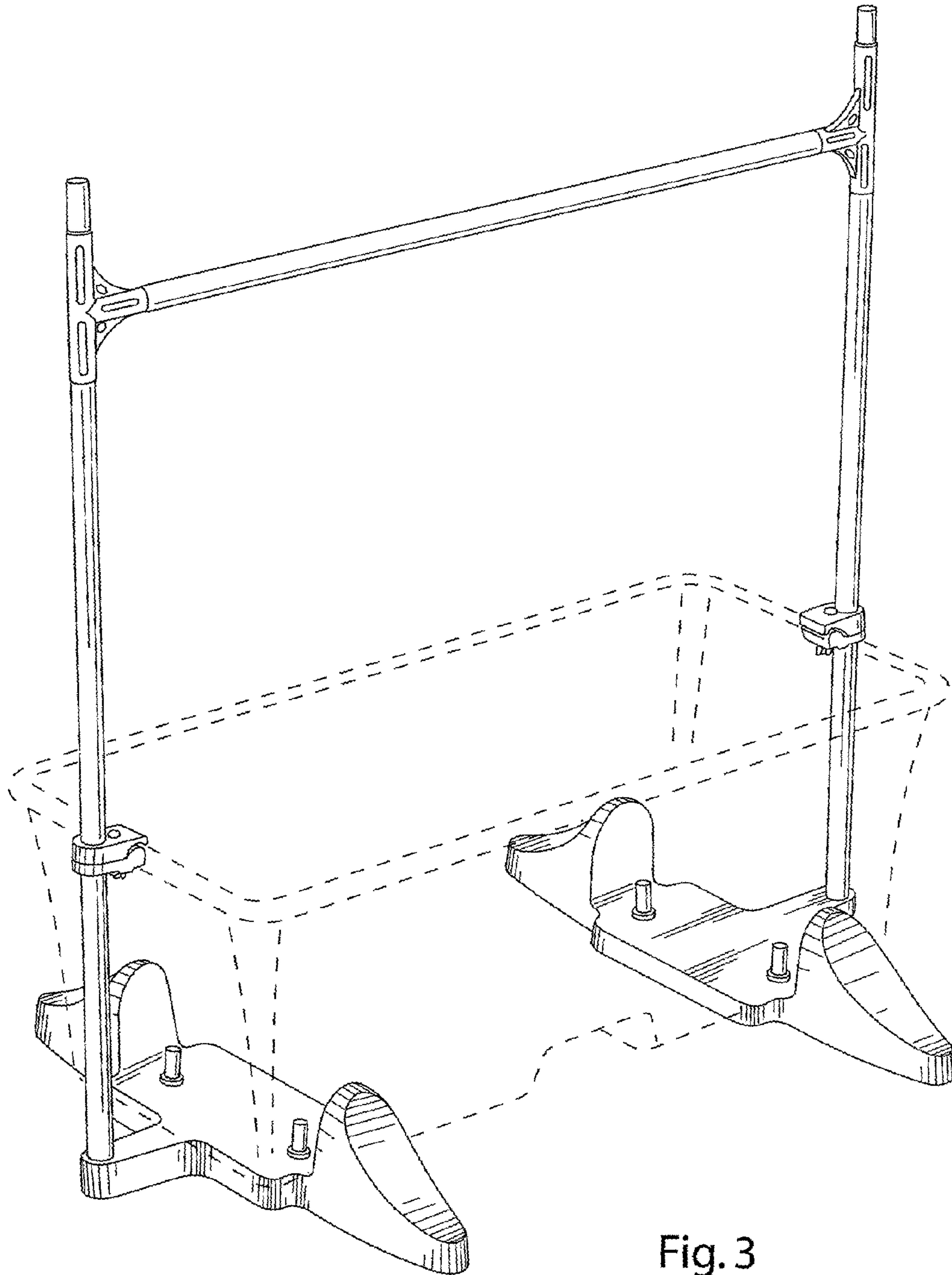


Fig. 3