



US00D614069S

(12) **United States Design Patent**  
**Marks**

(10) **Patent No.:** **US D614,069 S**  
(45) **Date of Patent:** **\*\* Apr. 20, 2010**

(54) **RING**  
(75) Inventor: **Sandy Marks**, Dallas, TX (US)  
(73) Assignee: **SBRE L.L.C.**, New York, NY (US)  
(\*\*) Term: **14 Years**  
(21) Appl. No.: **29/344,643**  
(22) Filed: **Oct. 1, 2009**

D591,634 S \* 5/2009 Gorman ..... D11/4  
D602,799 S \* 10/2009 Colombani ..... D11/3  
D604,655 S \* 11/2009 Marks ..... D11/34  
D604,656 S \* 11/2009 Marks ..... D11/34

\* cited by examiner

*Primary Examiner*—Cathron C Brooks  
*Assistant Examiner*—Melanie Levy  
(74) *Attorney, Agent, or Firm*—Pearl Cohen Zedek Latzer LLP

(51) **LOC (9) Cl.** ..... **11-01**  
(52) **U.S. Cl.** ..... **D11/34**  
(58) **Field of Classification Search** ..... D11/26–39,  
D11/89–92; 63/15, 15.1, 15.2, 15.3, 15.4,  
63/15.45, 15.5, 15.6, 15.65, 15.7, 26–28  
See application file for complete search history.

(57) **CLAIM**

The ornamental design for a ring, as shown and described.

**DESCRIPTION**

FIG. 1 is a top, front, right side perspective view of the ring;  
FIG. 2 is a front elevational view thereof;  
FIG. 3 is a rear elevational view thereof;  
FIG. 4 is a right side elevational view thereof;  
FIG. 5 is a left side elevational view thereof;  
FIG. 6 is a top plan view thereof; and,  
FIG. 7 is a bottom plan view thereof.

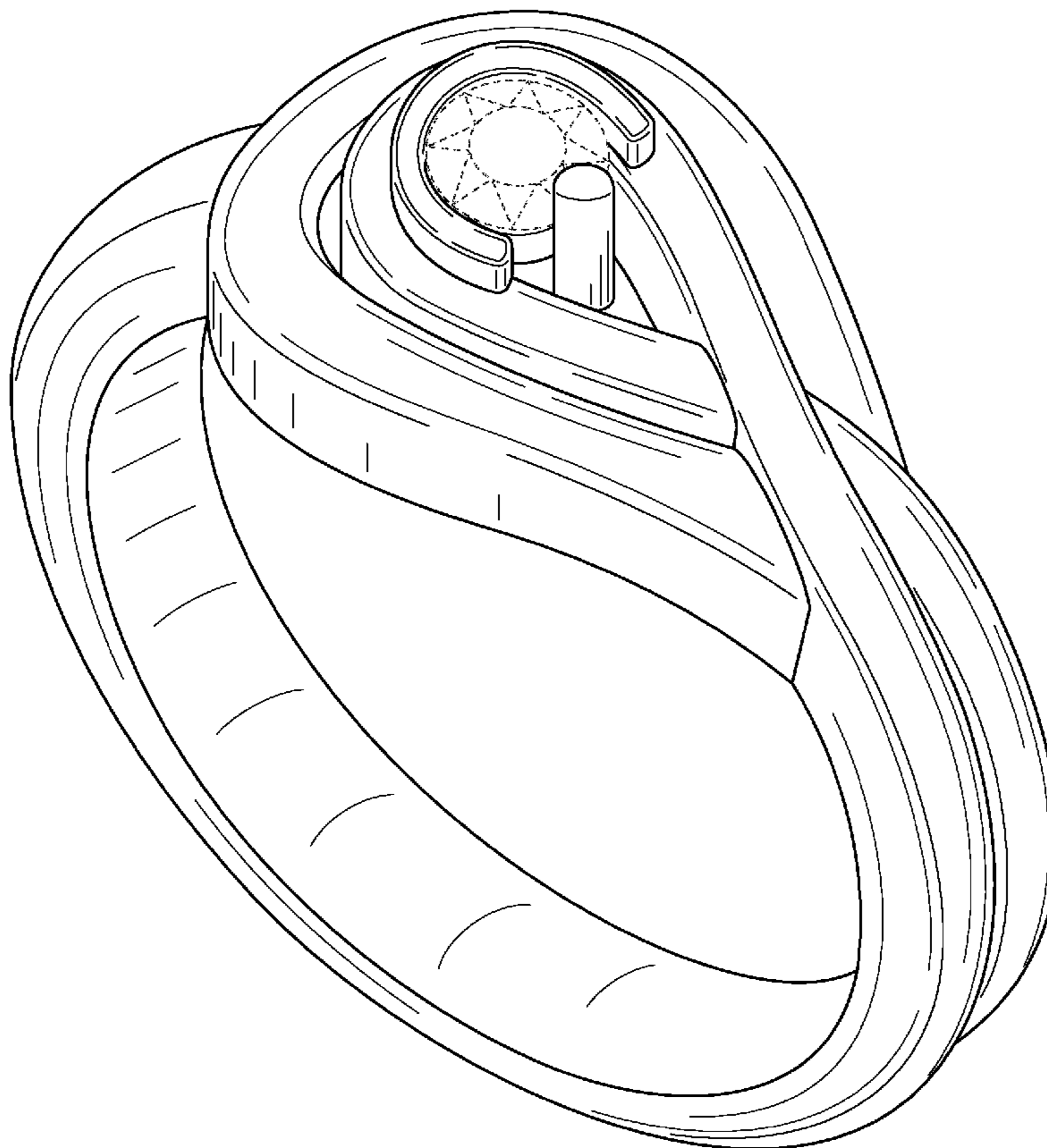
The broken line portions show environmental structure and form no part of the claimed design.

(56) **References Cited**

**U.S. PATENT DOCUMENTS**

D20,739 S \* 5/1891 Beach ..... D11/26  
4,033,143 A \* 7/1977 Michael ..... 63/15  
D255,083 S \* 5/1980 Kott ..... D11/26  
D291,664 S \* 9/1987 Kelman ..... D11/27  
D464,901 S \* 10/2002 Lomax ..... D11/30  
D465,173 S \* 11/2002 Gordon ..... D11/26  
D517,442 S \* 3/2006 Polk, III ..... D11/4  
D519,874 S \* 5/2006 Allin ..... D11/35  
D521,407 S \* 5/2006 Allin ..... D11/29

**1 Claim, 5 Drawing Sheets**



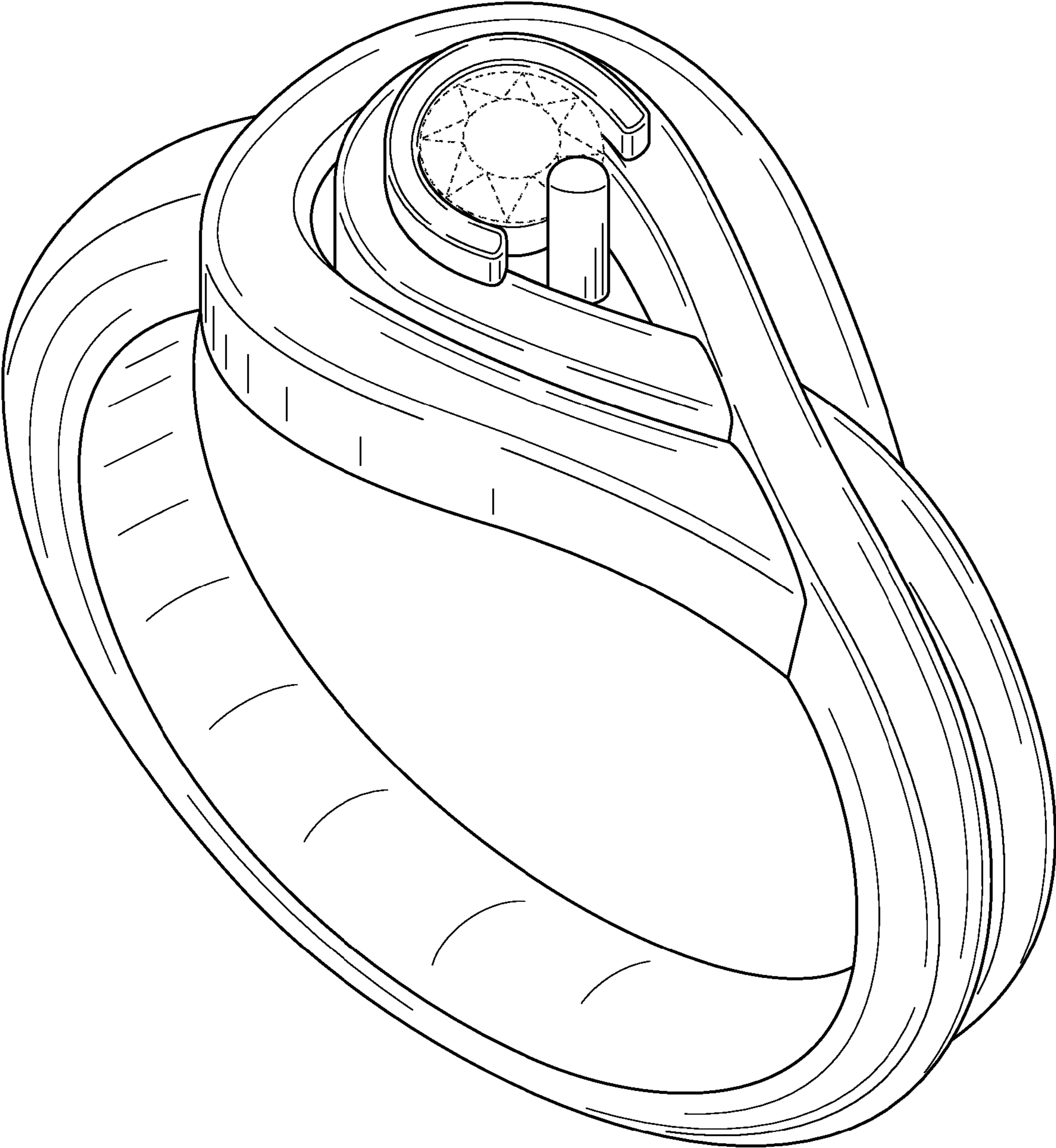


FIG. 1

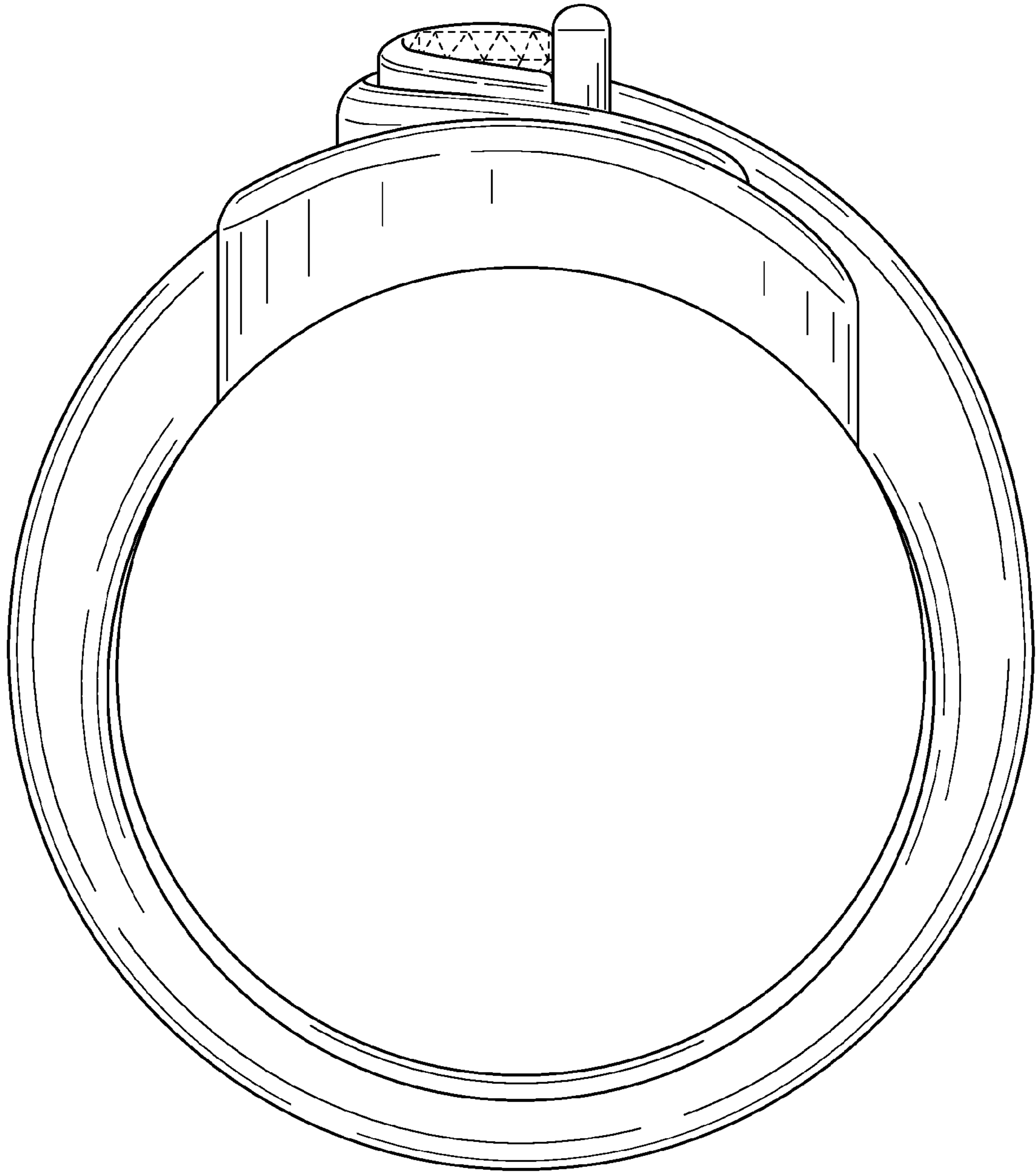


FIG. 2

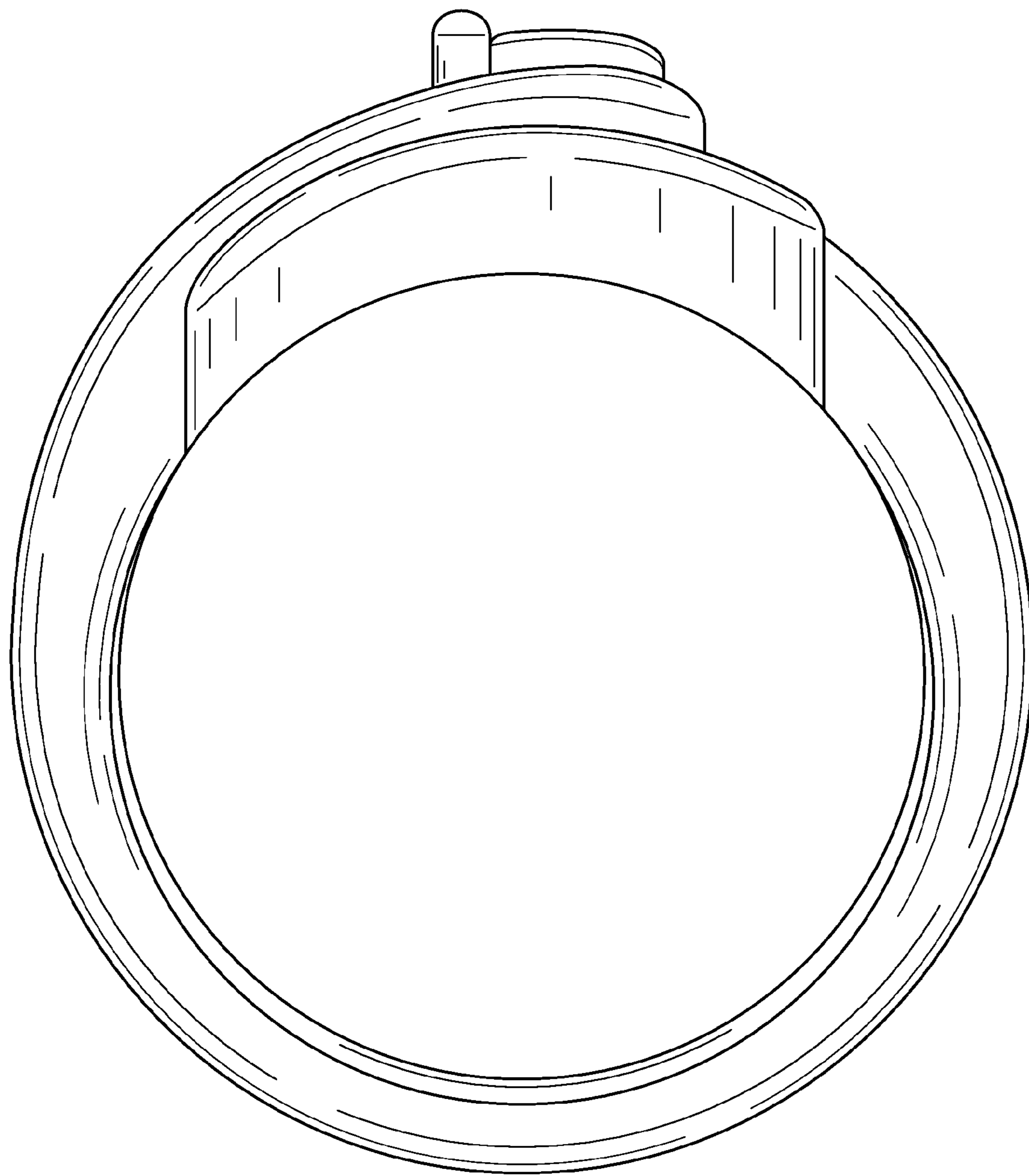


FIG. 3



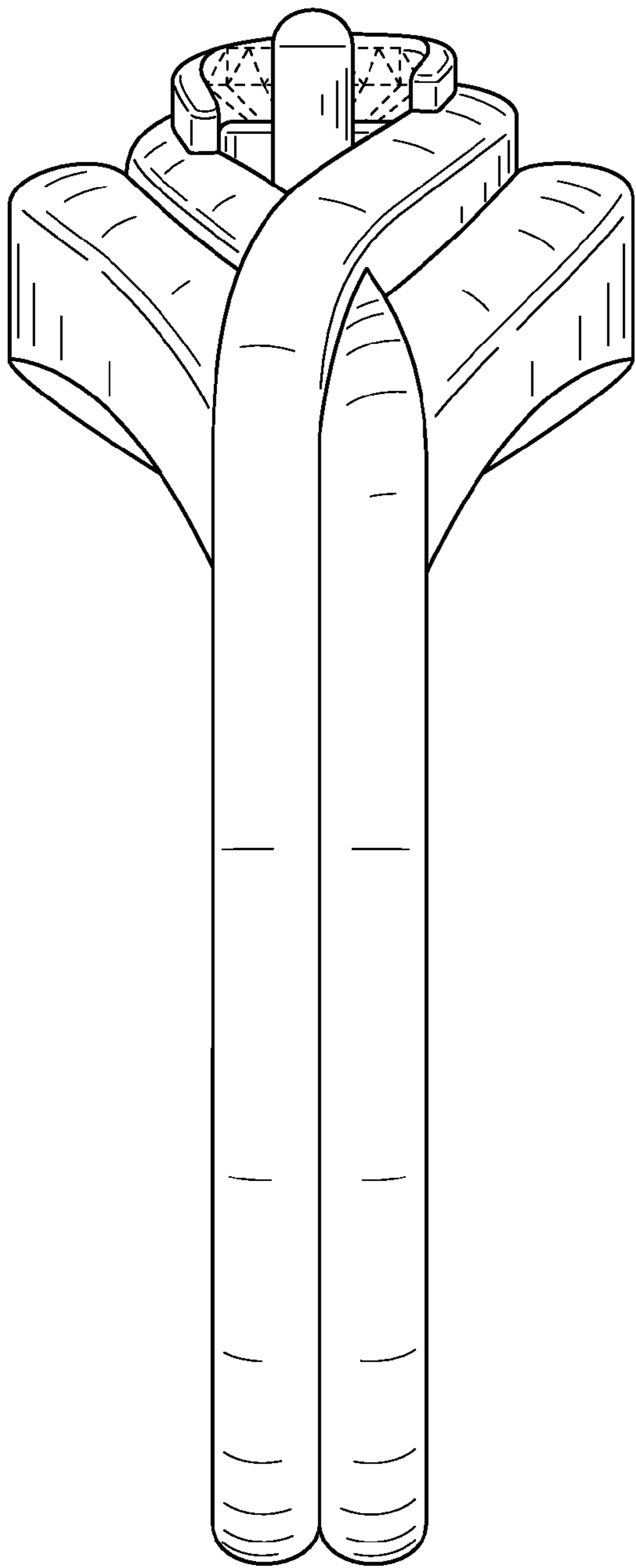


FIG. 4

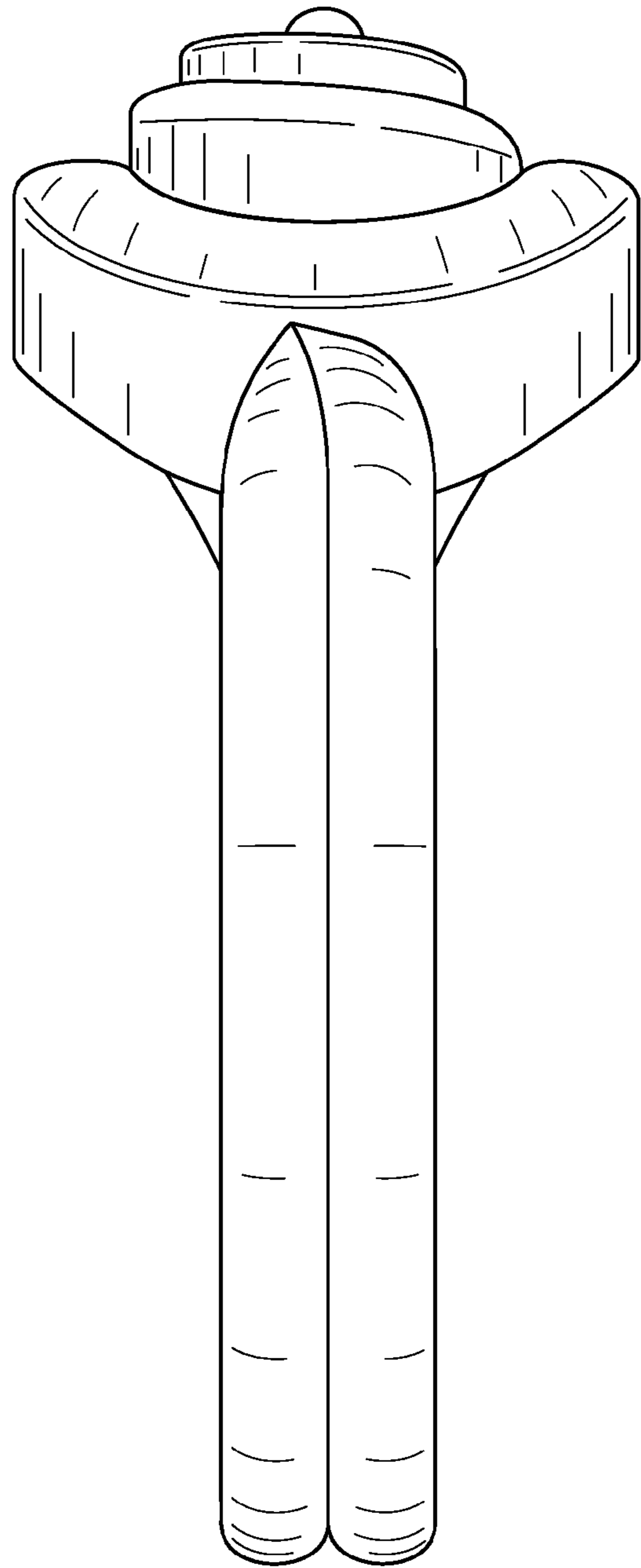


FIG. 5

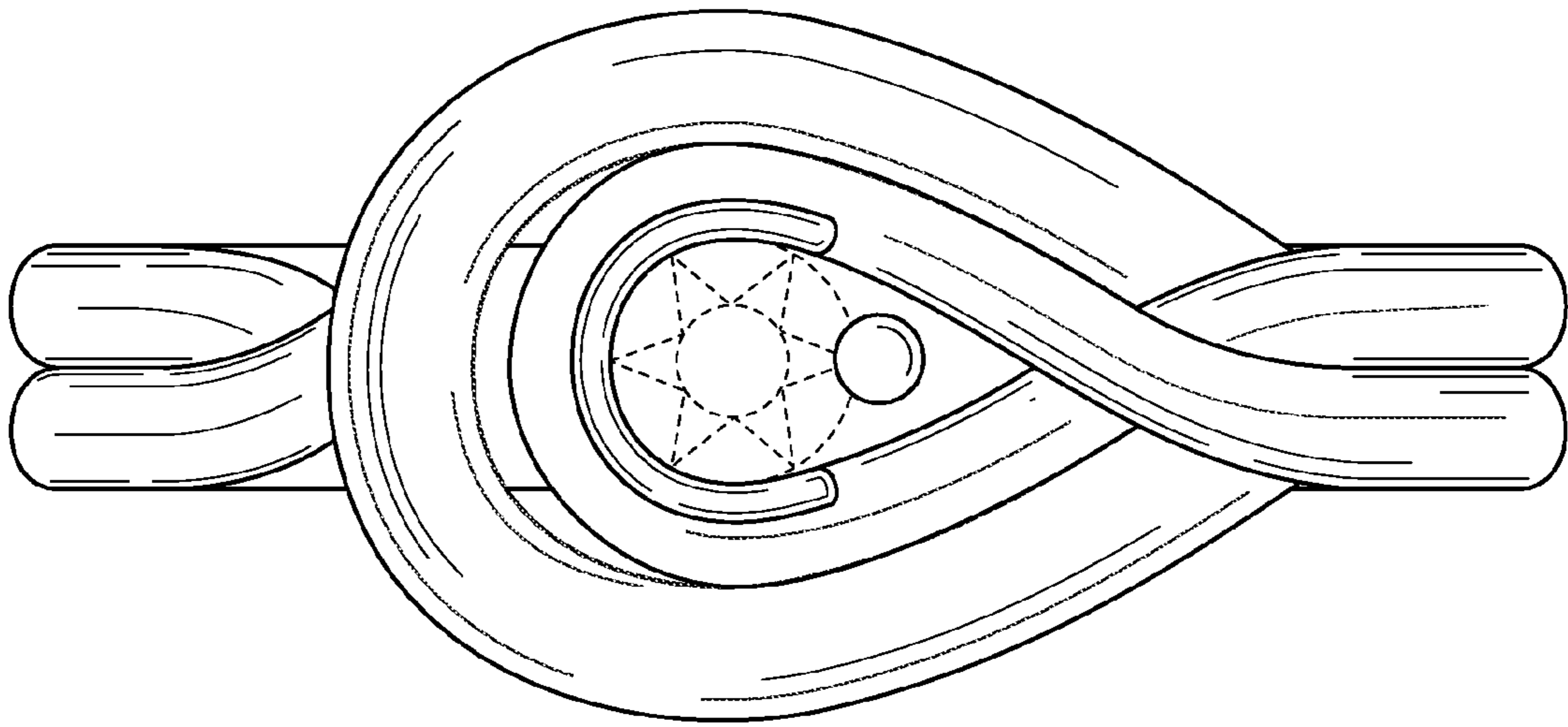


FIG. 6

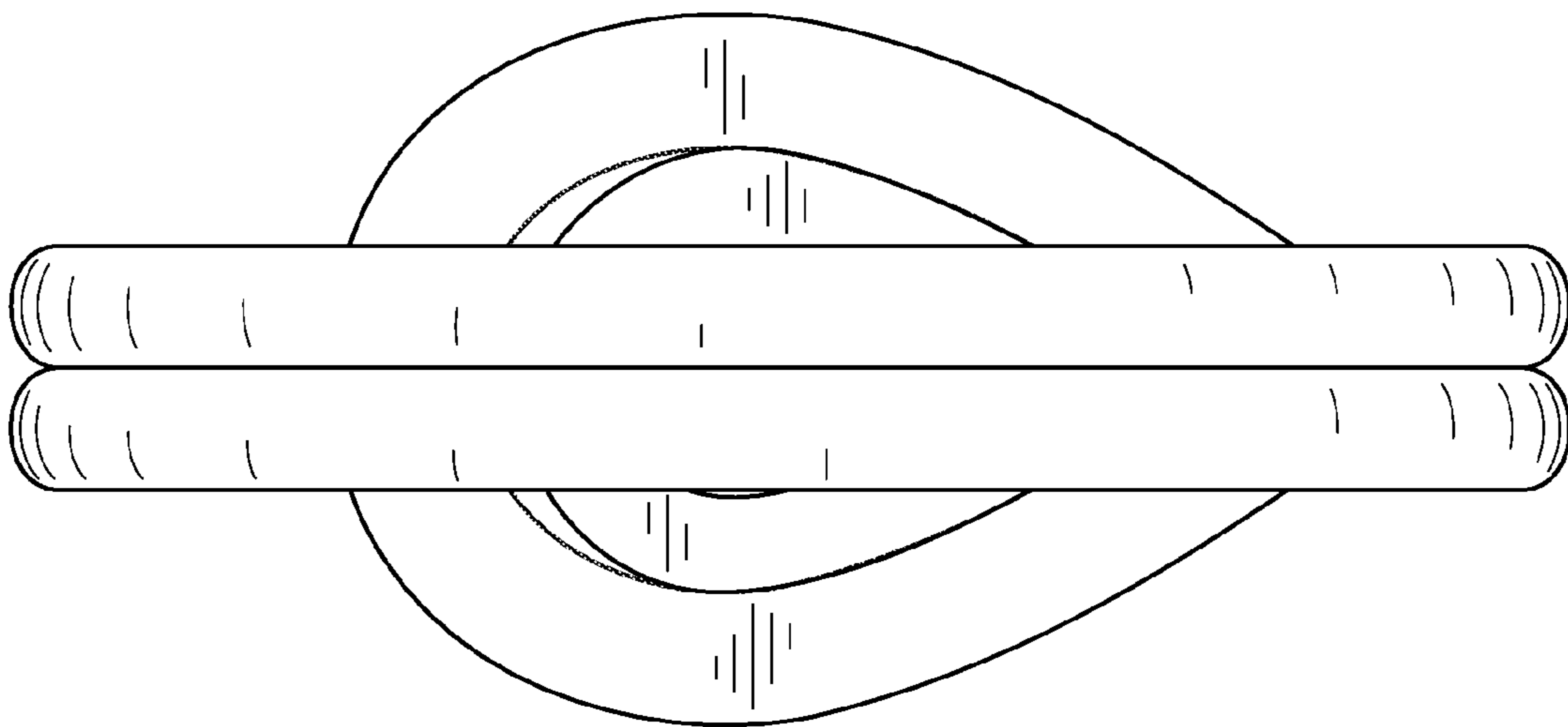


FIG. 7