



US00D614067S

(12) **United States Design Patent**  
**Vagal**

(10) **Patent No.:** **US D614,067 S**

(45) **Date of Patent:** **\*\* Apr. 20, 2010**

(54) **RING**

D580,294 S \* 11/2008 Sabet ..... D11/92  
D593,432 S \* 6/2009 Stipek ..... D11/34

(75) Inventor: **Ruchita K. Vagal**, Mumbai (IN)

\* cited by examiner

(73) Assignee: **Jewalex New York, Ltd.**, New York, NY  
(US)

*Primary Examiner*—Cathron C Brooks

*Assistant Examiner*—Melanie Levy

(74) *Attorney, Agent, or Firm*—Thomas I. Rozsa

(\*\*) Term: **14 Years**

(57) **CLAIM**

(21) Appl. No.: **29/316,198**

The ornamental design for a ring, as shown and described.

(22) Filed: **Sep. 1, 2009**

**DESCRIPTION**

(51) **LOC (9) Cl.** ..... **11-01**

(52) **U.S. Cl.** ..... **D11/34**

(58) **Field of Classification Search** ..... D11/26–39,  
D11/89–91; 63/15.1–15.4, 15.45, 15.5, 15.6,  
63/15.65, 15.7, 26–27

See application file for complete search history.

FIG. 1 is a perspective view of the ring, showing my design;

FIG. 2 is a top plan view thereof;

FIG. 3 is a bottom plan view thereof;

FIG. 4 is a front elevational view, the rear elevational view being a mirror image thereof; and,

FIG. 5 is a side elevational view thereof when viewed from the left side, the side elevational view from the right side being a mirror image thereof.

(56) **References Cited**

U.S. PATENT DOCUMENTS

D421,404 S \* 3/2000 Canale ..... D11/34

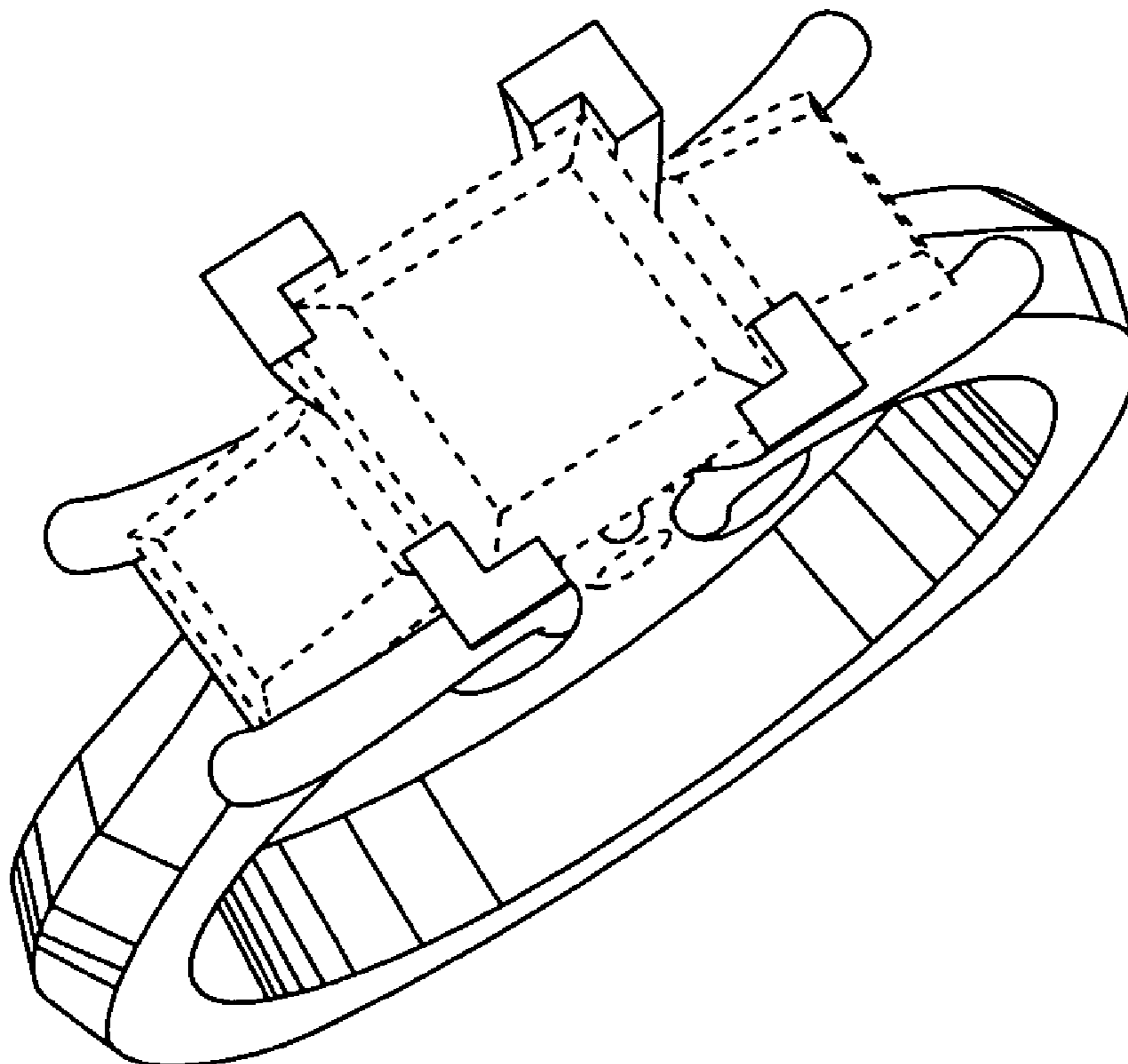
D438,138 S \* 2/2001 Chan ..... D11/34

D508,866 S \* 8/2005 Shin ..... D11/34

D512,658 S \* 12/2005 Aghjayan et al. .... D11/34

The stones within the setting of the ring are shown in broken lines and do not form any part of the claimed invention.

**1 Claim, 2 Drawing Sheets**



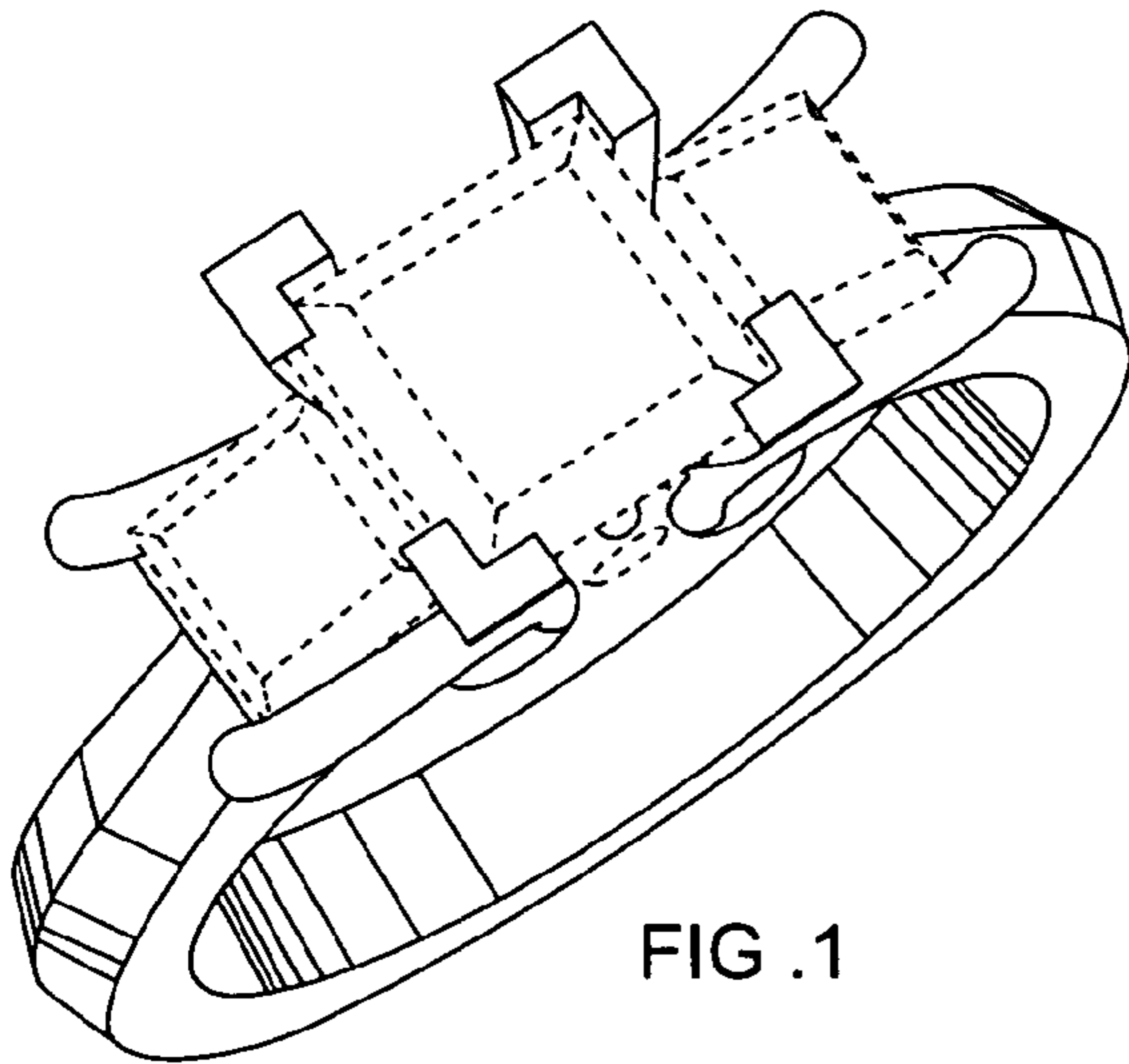


FIG .1

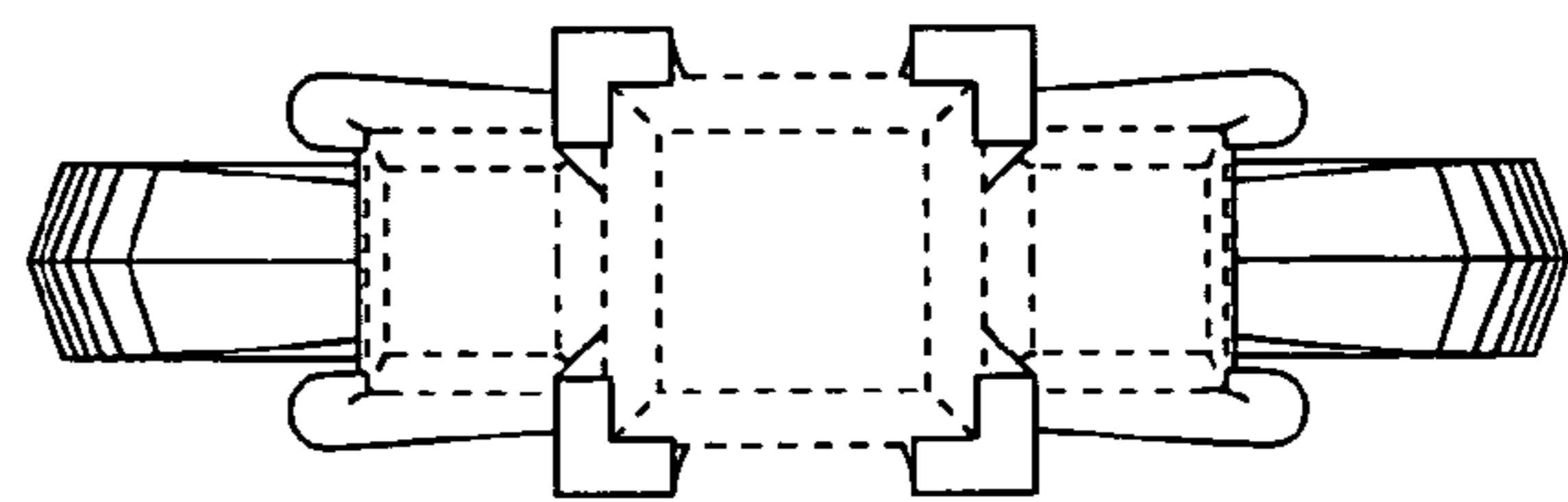


FIG .2

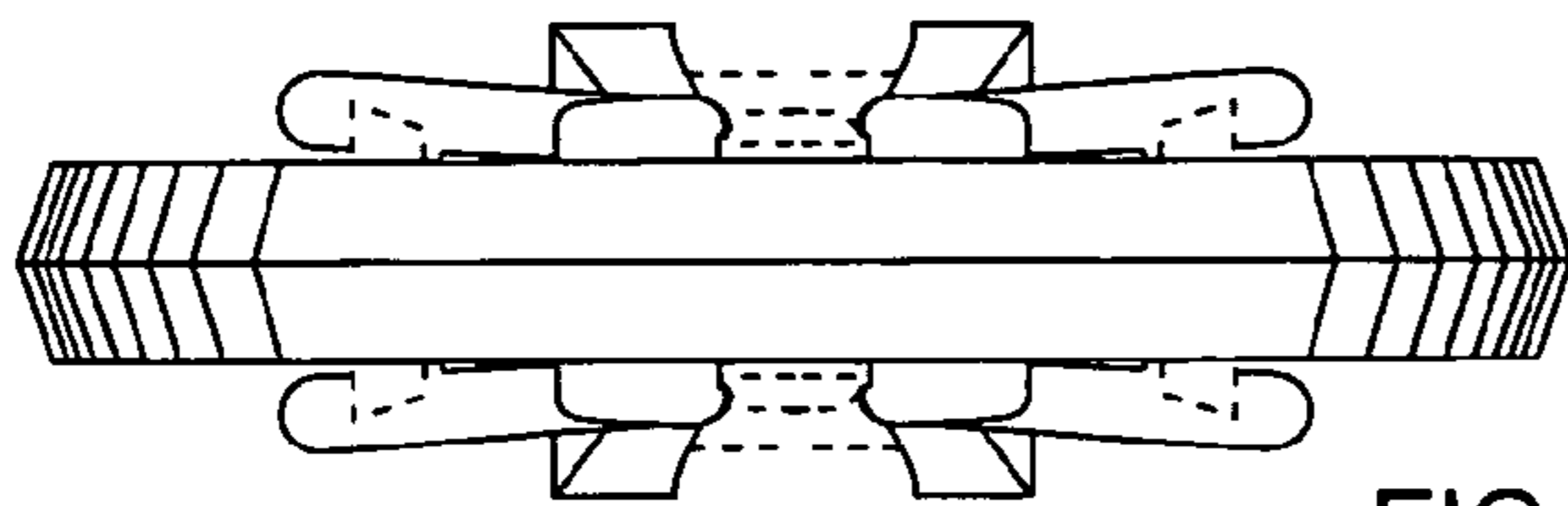


FIG .3

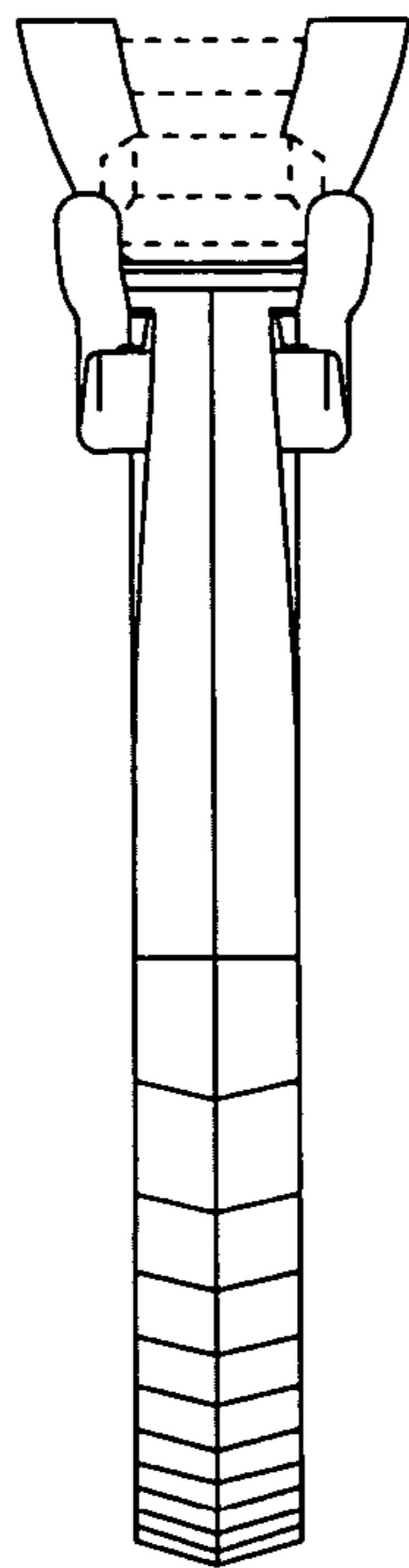


FIG . 5

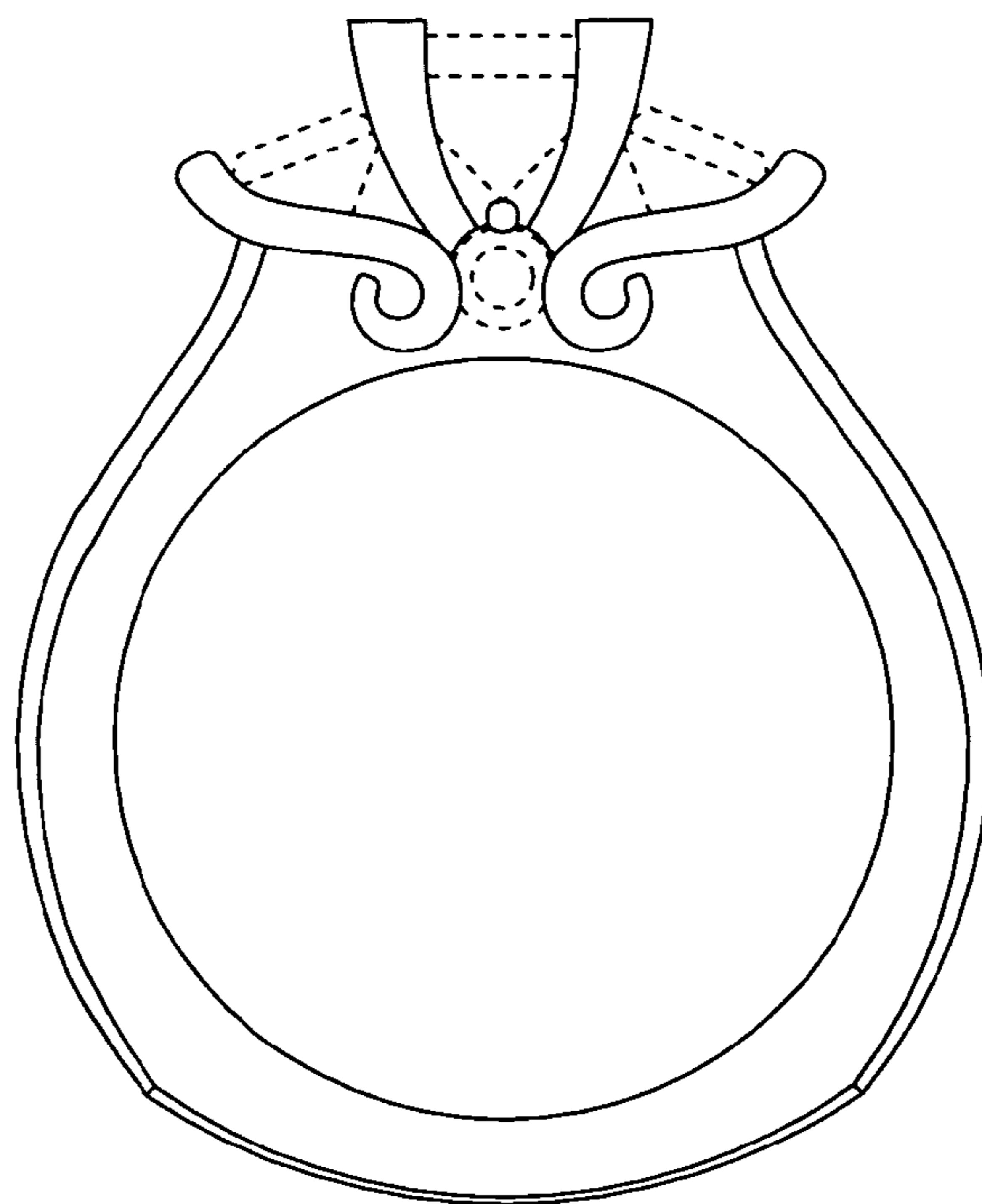


FIG . 4