



US00D614066S

(12) **United States Design Patent**
Vagal

(10) **Patent No.:** **US D614,066 S**

(45) **Date of Patent:** **** Apr. 20, 2010**

(54) **RING**

(75) Inventor: **Ruchita K. Vagal**, Mumbai (IN)

(73) Assignee: **Jewelex New York, Ltd.**, New York, NY (US)

(**) Term: **14 Years**

(21) Appl. No.: **29/316,196**

(22) Filed: **Sep. 1, 2009**

(51) **LOC (9) Cl.** **11-01**

(52) **U.S. Cl.** **D11/34**

(58) **Field of Classification Search** D11/26-39,
D11/89-91; 63/15.1-15.4, 15.45, 15.5, 15.6,
63/15.65, 15.7, 26-27
See application file for complete search history.

(56) **References Cited**

U.S. PATENT DOCUMENTS

D421,404 S	*	3/2000	Canale	D11/34
D438,138 S	*	2/2001	Chan	D11/34
D508,866 S	*	8/2005	Shin	D11/34
D512,658 S	*	12/2005	Aghjayan et al.	D11/34
D580,294 S	*	11/2008	Sabet	D11/92
D593,432 S	*	6/2009	Stipek	D11/34

OTHER PUBLICATIONS

Ring. Accessed Dec. 2, 2009. <http://applesofgold.com/Merchant2/jewelry/diamond-rings/QDR-3C.jpg>.*

Ring. Accessed Dec. 2, 2009. http://todiamonds.com/images/ring_a088.jpg.*

* cited by examiner

Primary Examiner—Cathron C Brooks

Assistant Examiner—Melanie Levy

(74) *Attorney, Agent, or Firm*—Thomas I. Rozsa

(57) **CLAIM**

The ornamental design for a ring, as shown and described.

DESCRIPTION

FIG. 1 is a perspective view of the ring, showing my design;

FIG. 2 is a top plan view thereof;

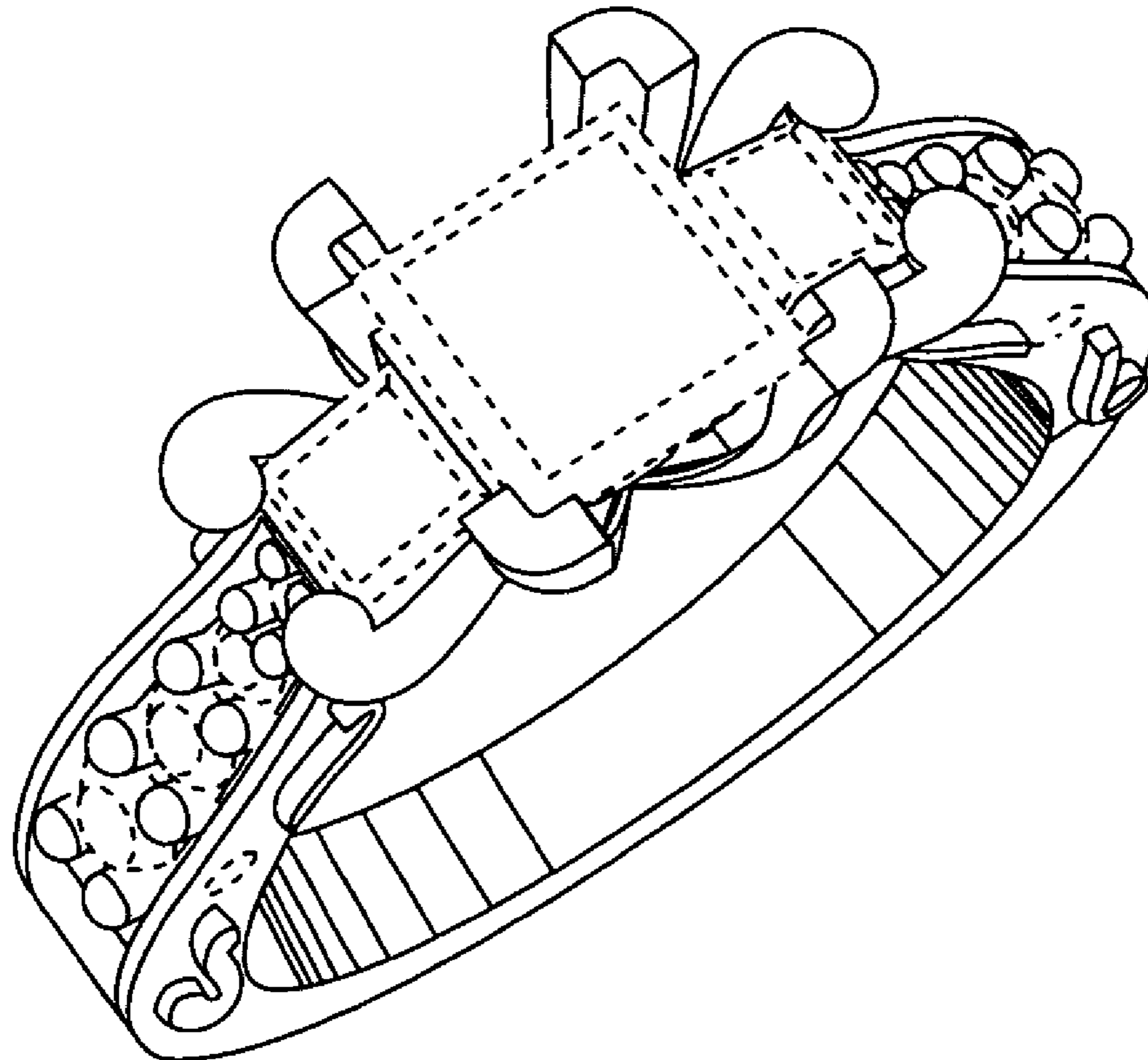
FIG. 3 is a bottom plan view thereof;

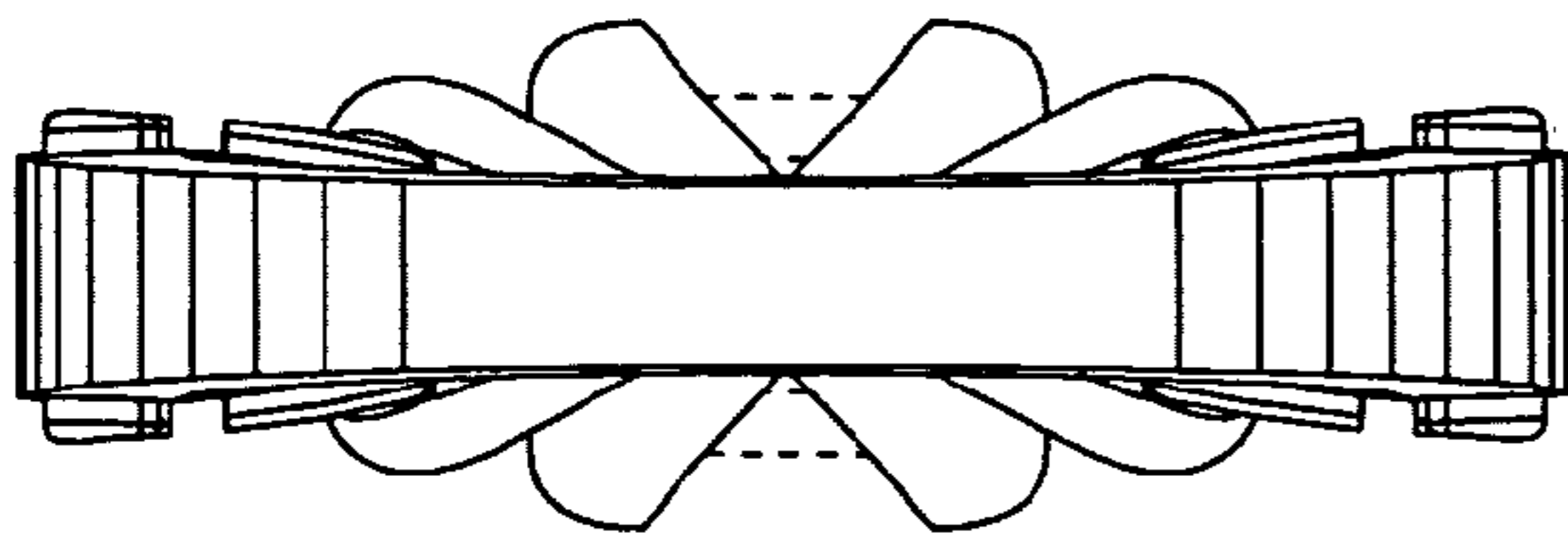
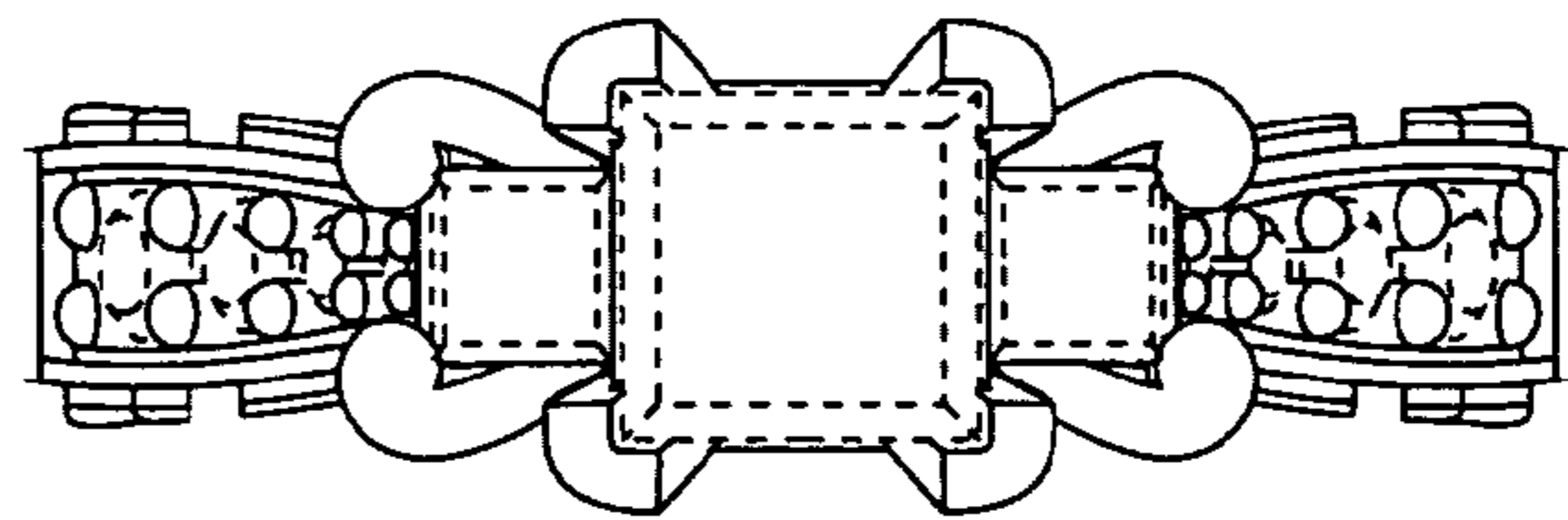
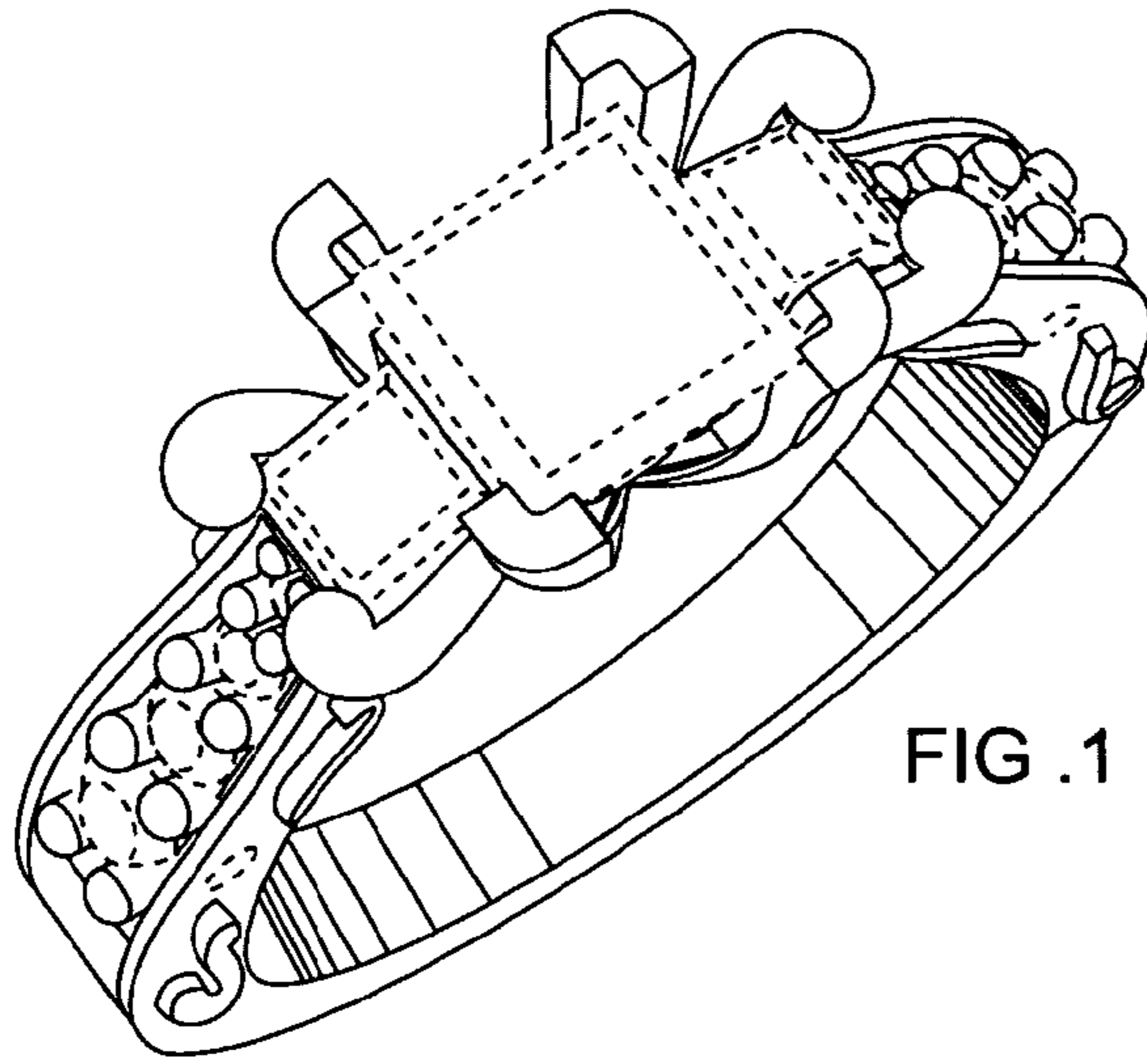
FIG. 4 is a front elevational view, the rear elevational view being a mirror image thereof; and,

FIG. 5 is a side elevational view thereof when viewed from the left side, the side elevational view from the right side being a mirror image thereof.

The stones within the setting of the ring are shown in broken lines and do not form any part of the claimed invention.

1 Claim, 2 Drawing Sheets





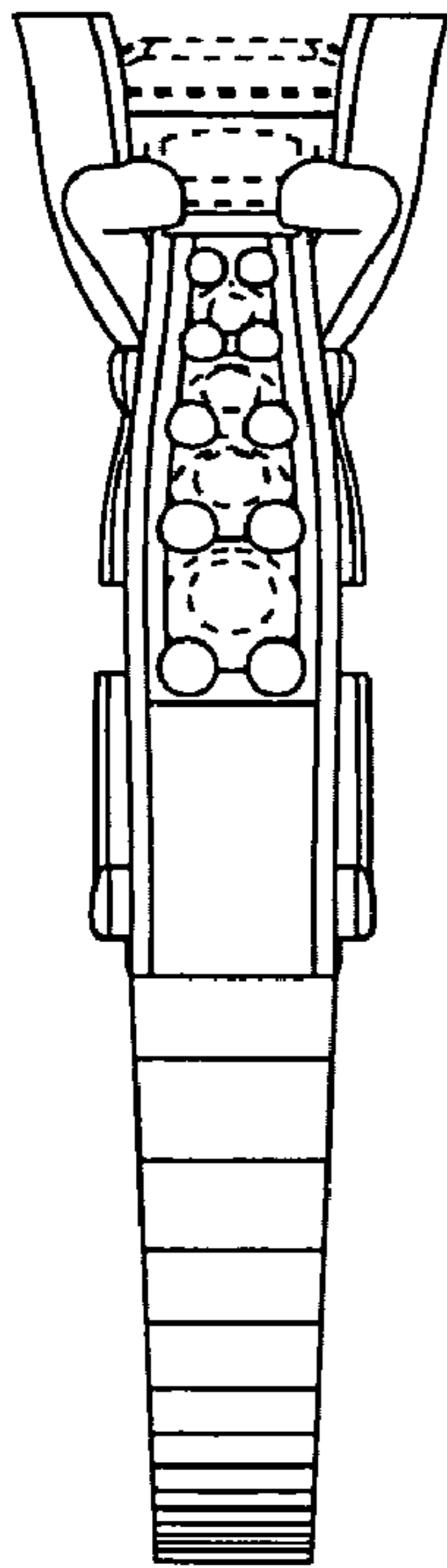


FIG . 5

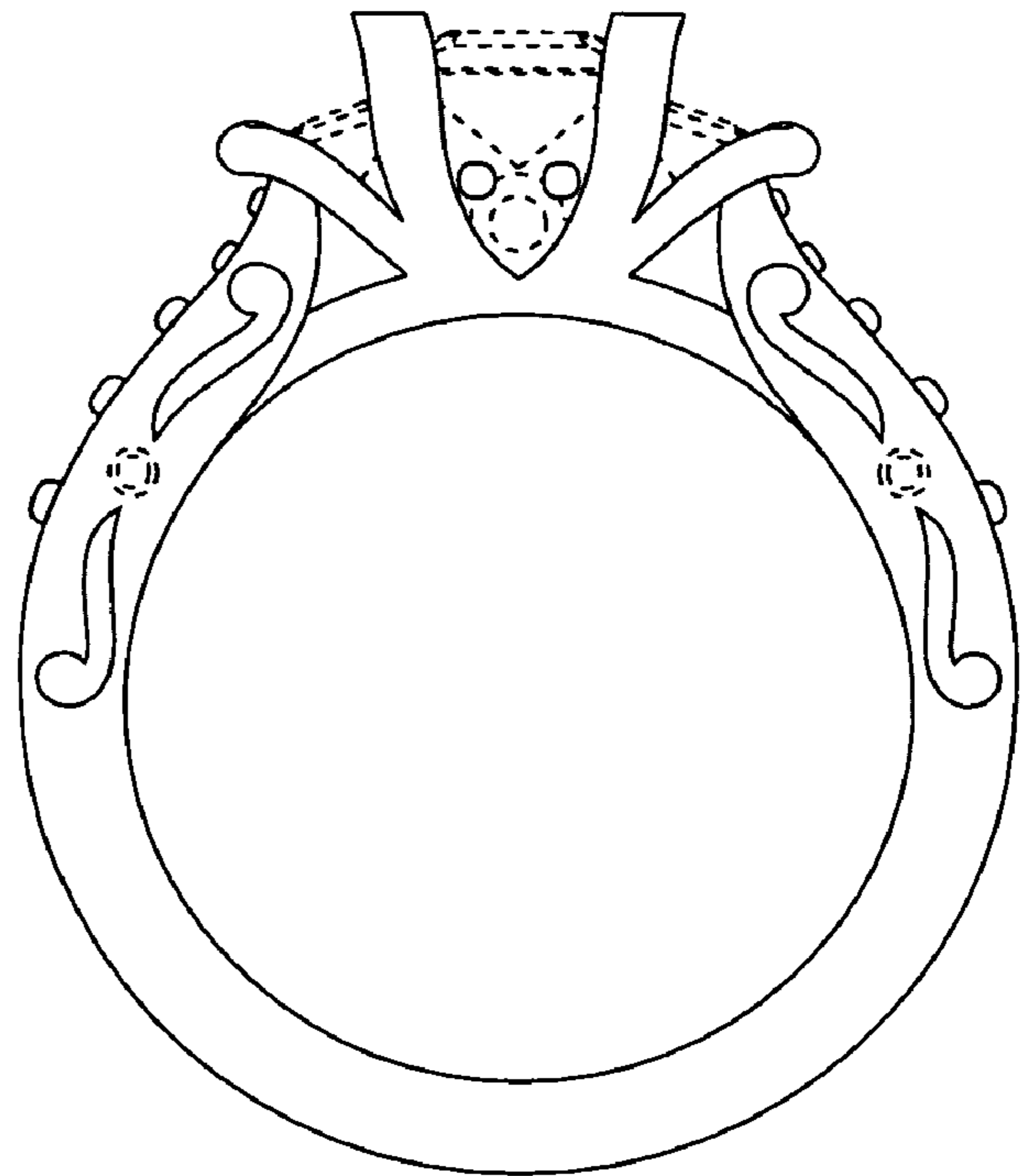


FIG . 4