



US00D614061S

(12) **United States Design Patent**
Kelly et al.

(10) **Patent No.:** **US D614,061 S**
(45) **Date of Patent:** **** Apr. 20, 2010**

(54) **DOME**

(75) Inventors: **John Carlton Kelly**, Omaha, NE (US);
Brian William Kochanowicz, Nebraska
City, NE (US); **Tod Wallace Bradley**,
Cary, NC (US); **Joseph Leonard**
Turgeon, Raleigh, NC (US)

(73) Assignee: **Elster American Meter Company**,
Raleigh, NC (US)

(**) Term: **14 Years**

(21) Appl. No.: **29/343,687**

(22) Filed: **Sep. 17, 2009**

(51) **LOC (9) Cl.** **10-04**

(52) **U.S. Cl.** **D10/103**

(58) **Field of Classification Search** D10/99,
D10/100, 102, 103; 324/142, 117, 74, 127,
324/107, 13 R; 364/483, 492, 493, 569,
364/577, 481; 340/538, 539, 657, 825.16;
702/60-62, 85

See application file for complete search history.

(56) **References Cited**

U.S. PATENT DOCUMENTS

3,253,372 A 5/1966 Huscher
D212,306 S * 9/1968 Minix D10/102
4,344,261 A 8/1982 Weisner et al.
D281,404 S * 11/1985 Hicks D10/99
4,581,860 A 4/1986 Berger
5,185,568 A * 2/1993 Mothersbaugh et al. 324/95
D336,258 S * 6/1993 Payne et al. D10/99

D349,268 S 8/1994 Jones
D381,435 S 7/1997 Jensen, III
5,918,618 A 7/1999 Neupert
6,269,829 B1 8/2001 Chen et al.
6,953,046 B2 10/2005 Chen et al.
7,234,279 B2 6/2007 Sincic et al.
7,395,636 B2 7/2008 Blomberg
D574,738 S * 8/2008 Khurana D10/49
D575,410 S 8/2008 Best
D600,617 S 9/2009 Scoley et al.
D603,082 S 10/2009 Orozco

* cited by examiner

Primary Examiner—Antoine D Davis

(74) *Attorney, Agent, or Firm*—Duane Morris LLP

(57) **CLAIM**

The ornamental design for a dome, as shown and described.

DESCRIPTION

FIG. 1 is a perspective view of the dome mounted on a utility meter;

FIG. 2 is a perspective view of the dome;

FIG. 3 is a top view of the dome;

FIG. 4 is a bottom view of the dome;

FIG. 5 is a front view of the dome;

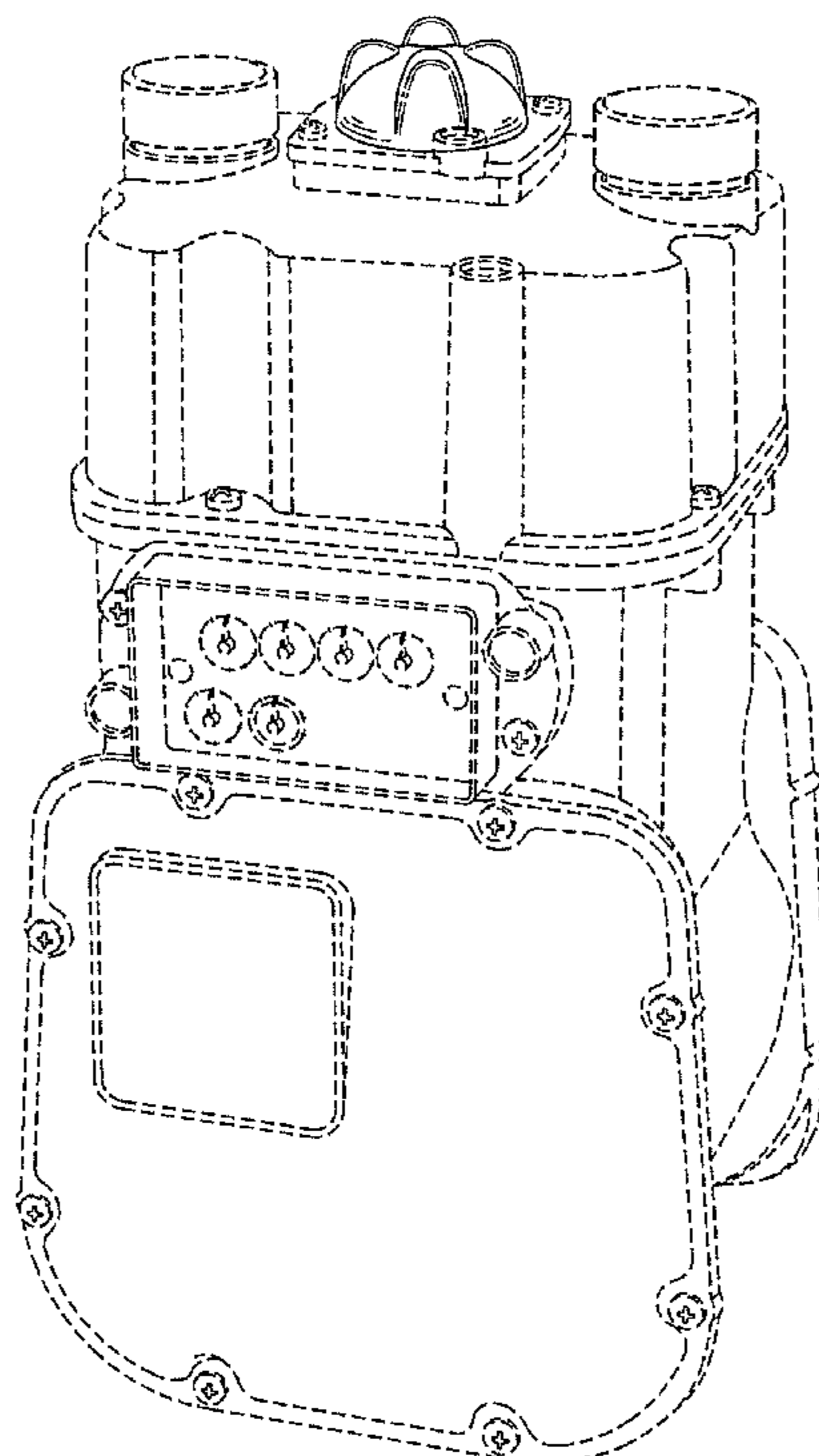
FIG. 6 is a rear view of the dome;

FIG. 7 is a right side view of the dome; and,

FIG. 8 is a left side view of the dome.

The broken line showing of structure is for illustrative purposes only, and forms no part of the claimed design.

1 Claim, 4 Drawing Sheets



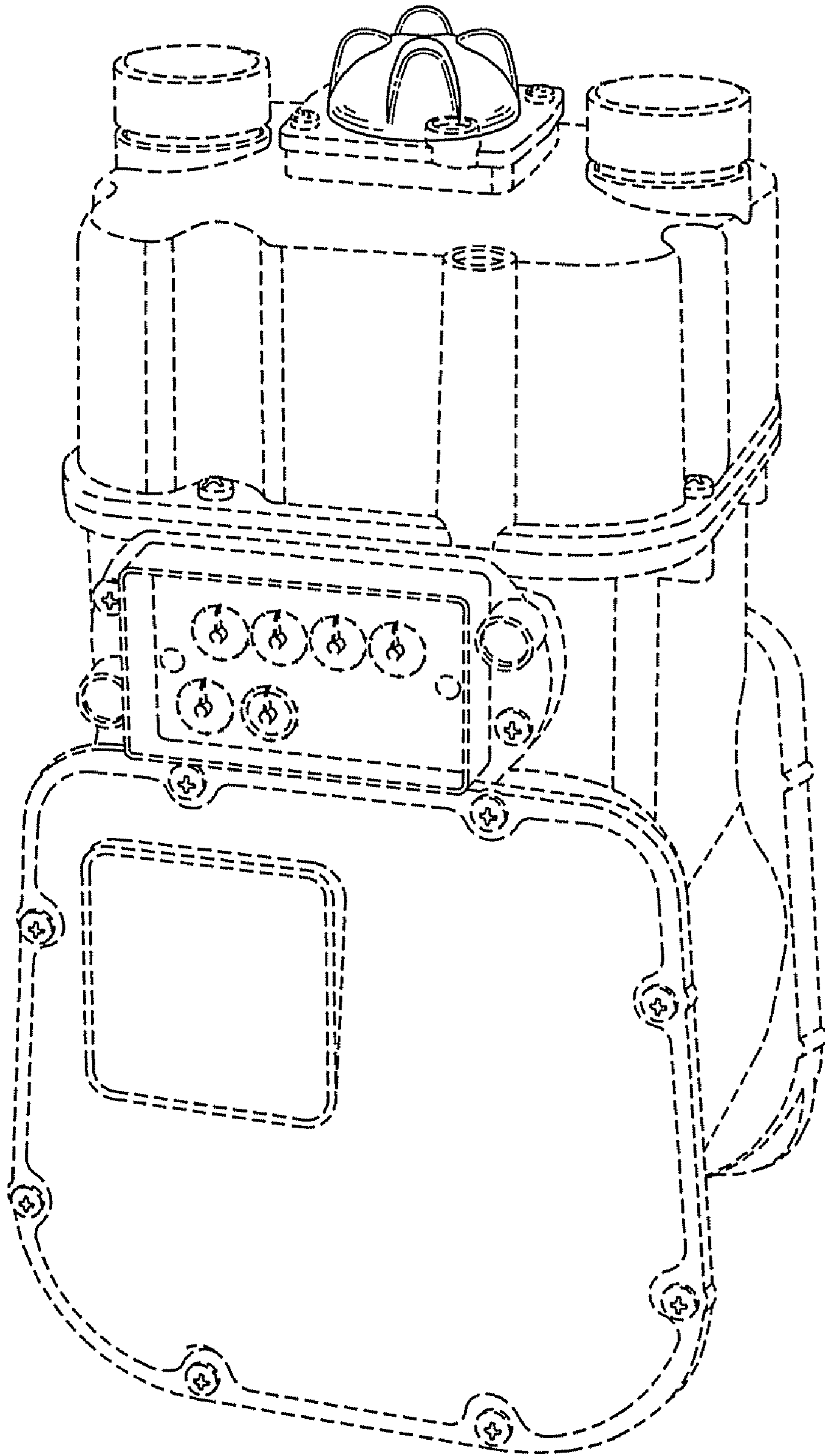


FIG. 1

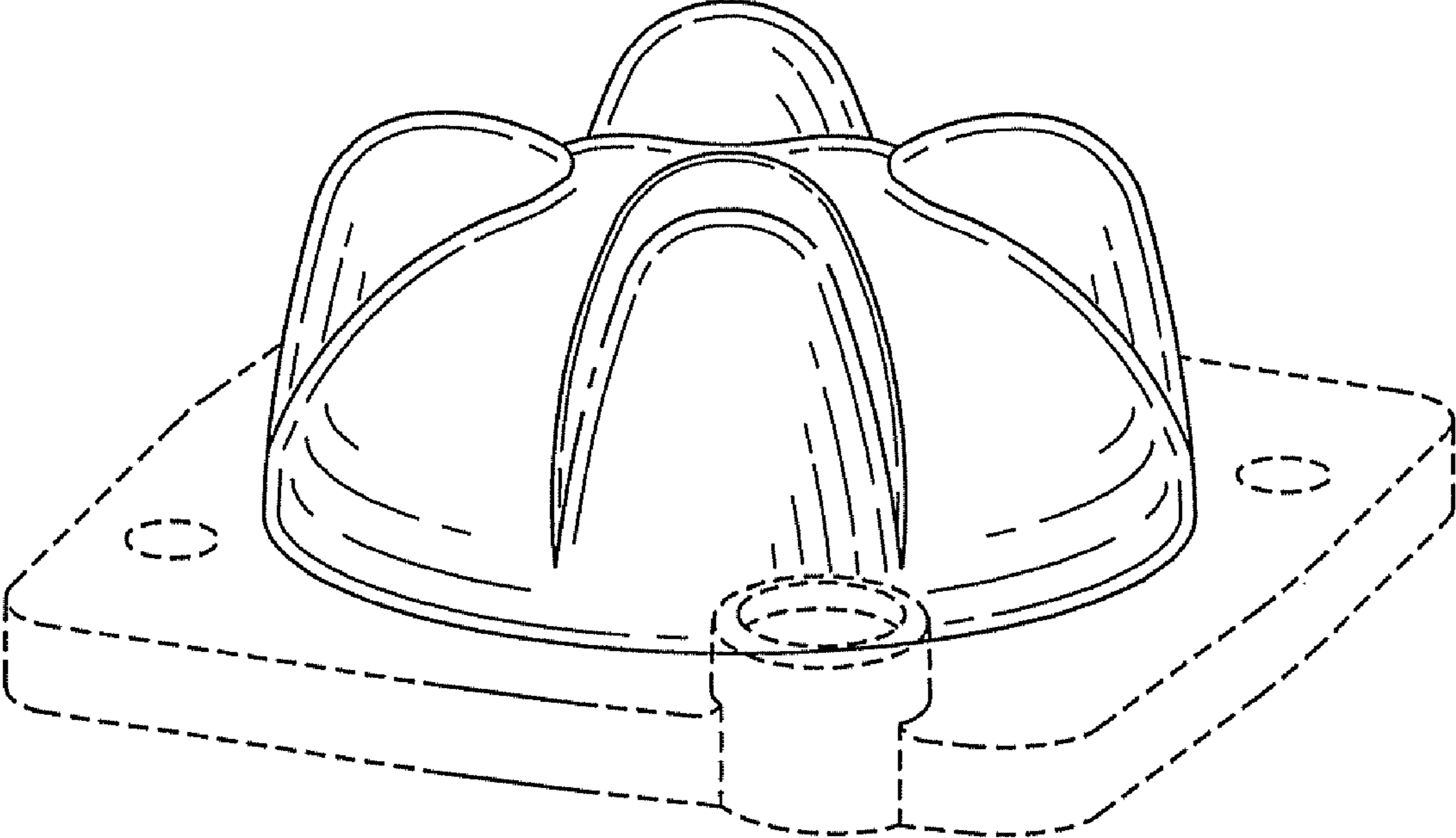


FIG. 2

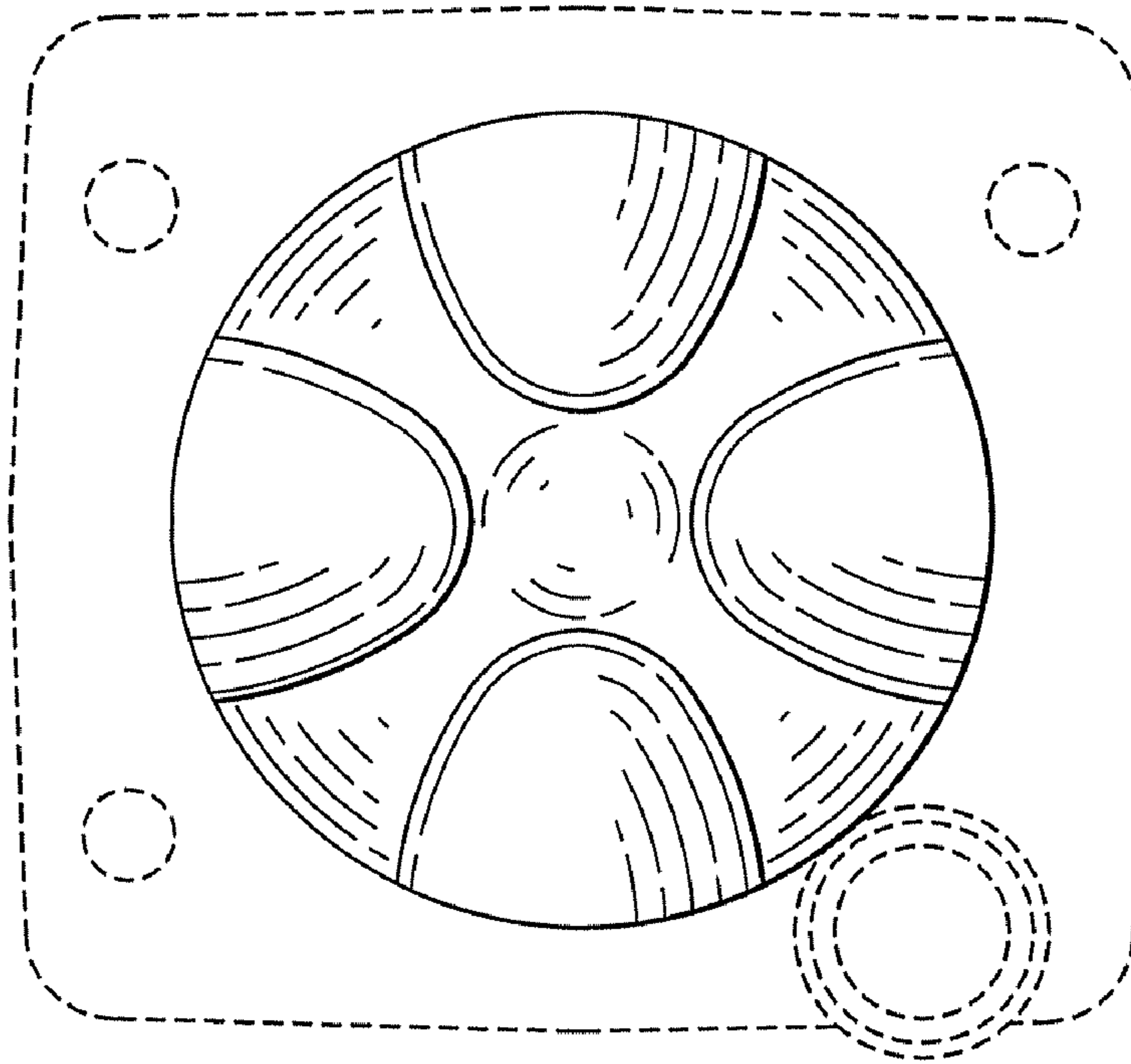


FIG. 3

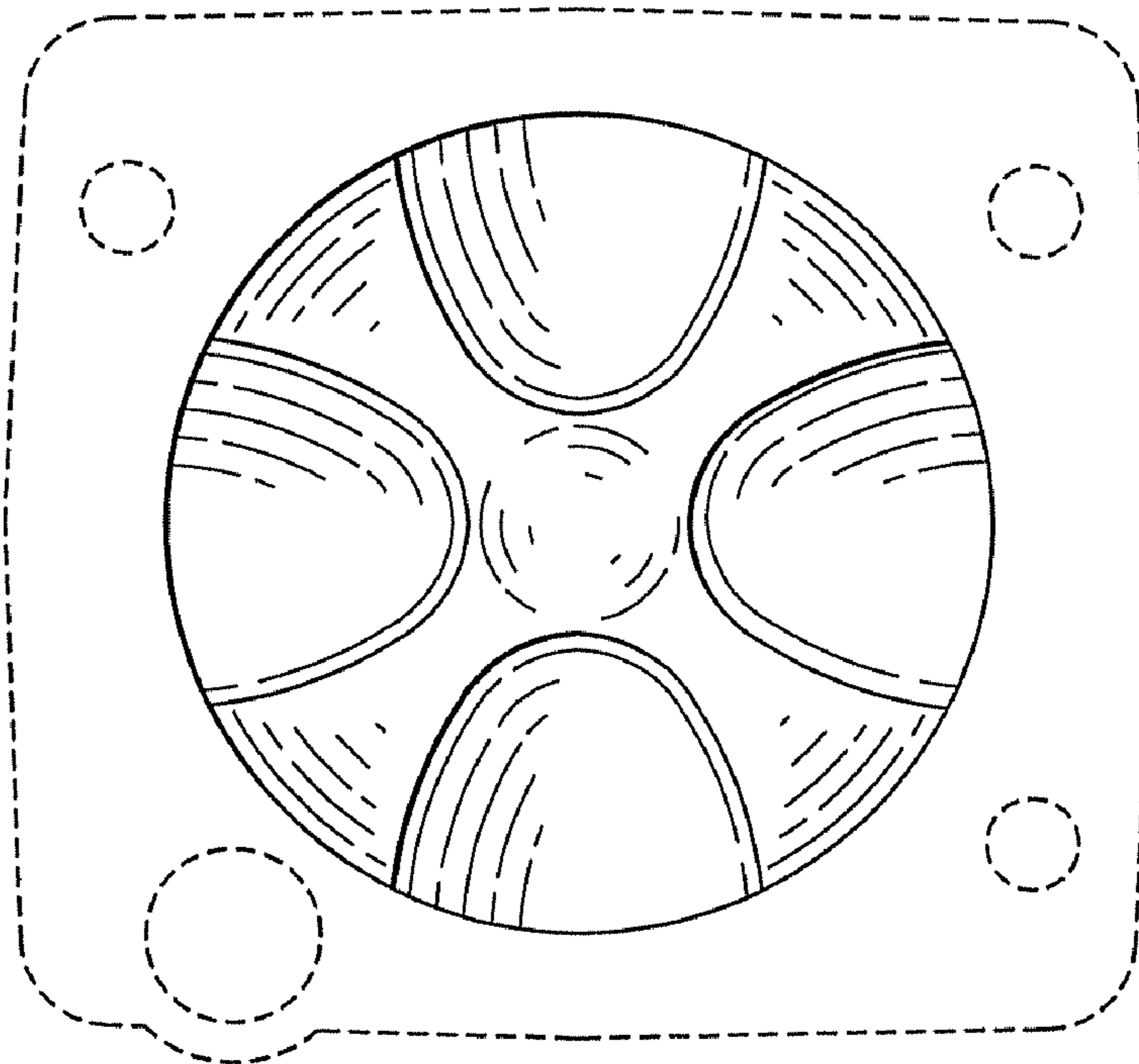


FIG. 4

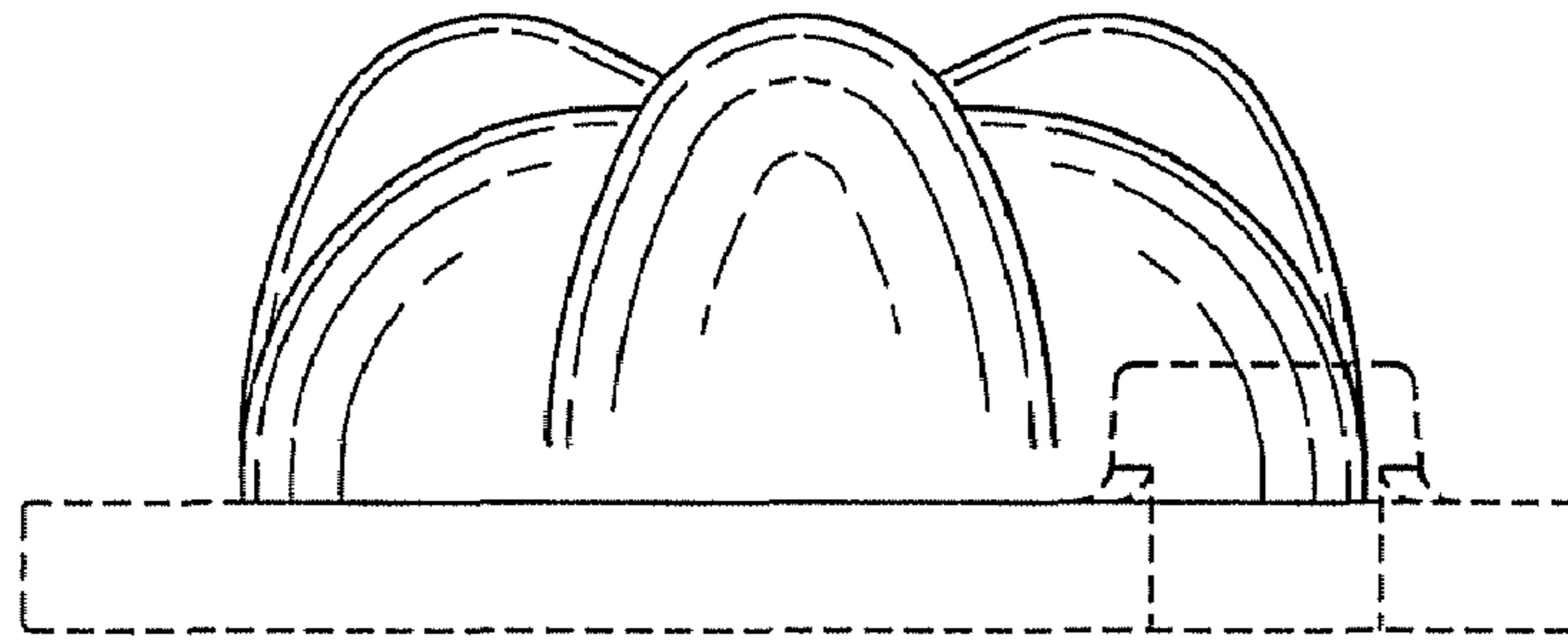


FIG. 5

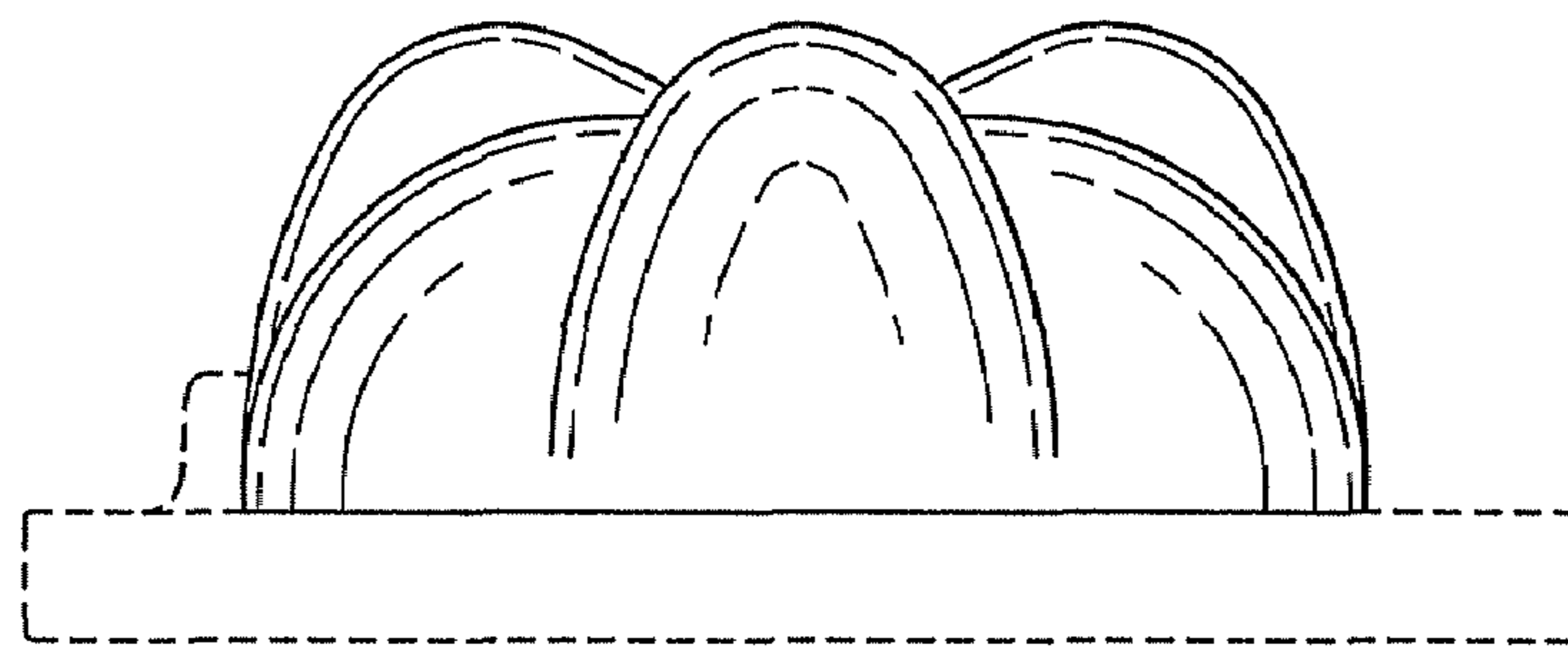


FIG. 6

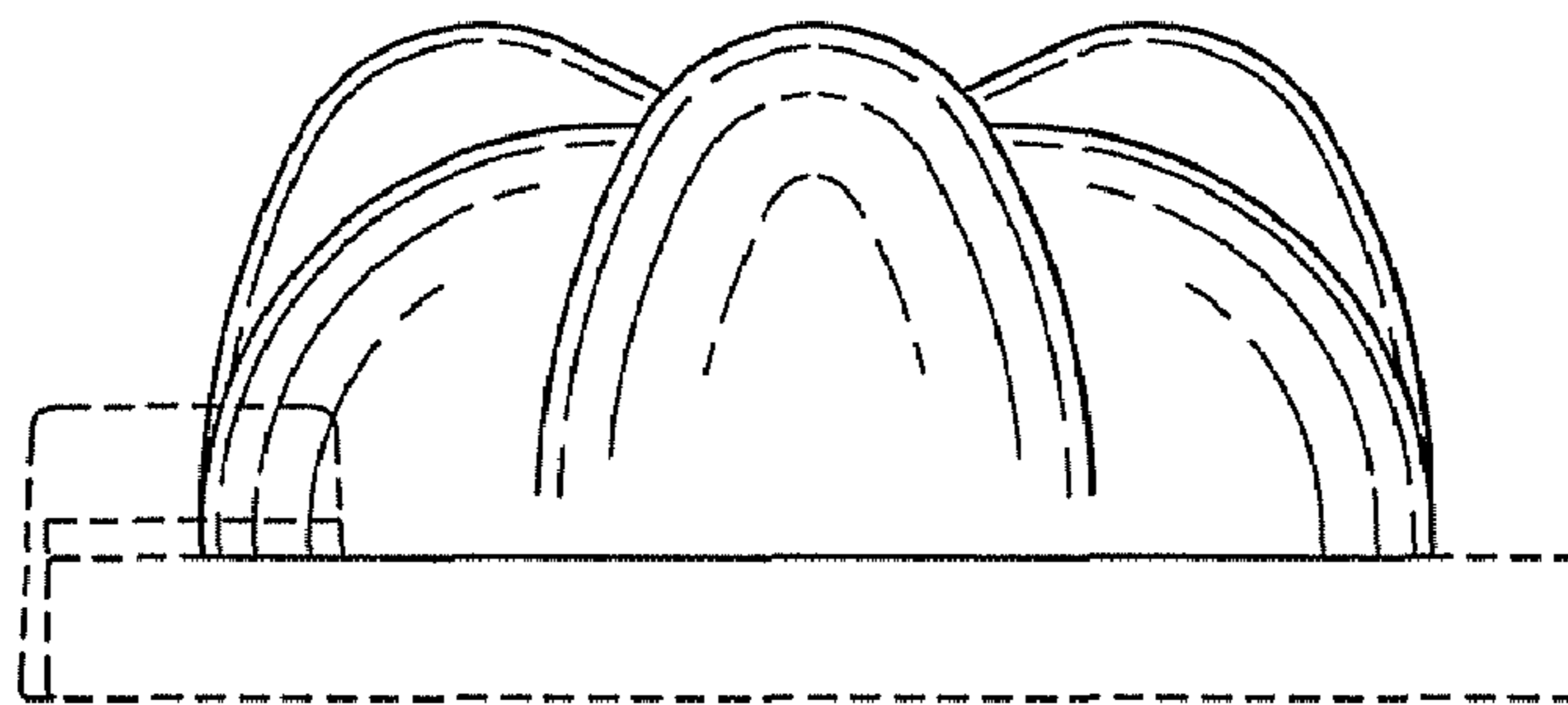


FIG. 7

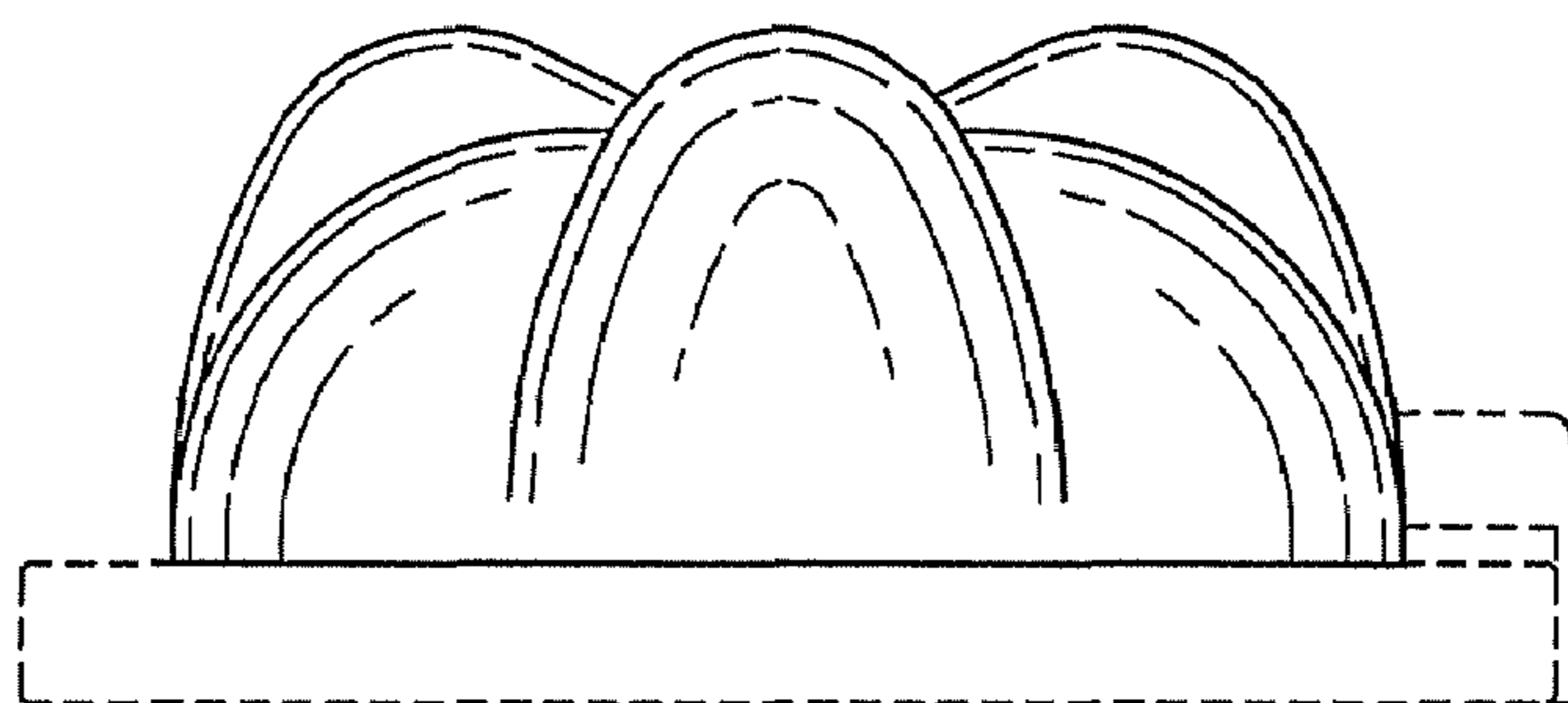


FIG. 8