



US00D614056S

(12) **United States Design Patent**
Ulrich

(10) **Patent No.:** **US D614,056 S**
(45) **Date of Patent:** **** Apr. 20, 2010**

(54) **MEASURING INSTRUMENT**

D523,366 S * 6/2006 Ulrich D10/92
D587,152 S * 2/2009 Scholpp D10/92

(75) Inventor: **Manfred Ulrich**, Hitzkirch (CH)

* cited by examiner

(73) Assignee: **REFCO Manufacturing Ltd.**, Hitzkirch (CH)

Primary Examiner—Antoine D. Davis
(74) *Attorney, Agent, or Firm*—Baker & Hostetler LLP

(**) Term: **14 Years**

(57) **CLAIM**

(21) Appl. No.: **29/338,368**

The ornamental design for a measuring instrument, as shown and described.

(22) Filed: **Jun. 10, 2009**

(30) **Foreign Application Priority Data**

DESCRIPTION

Apr. 1, 2009 (EM) 001116222-0001

FIG. 1 is a perspective view of a measuring instrument including a weighing device and an external display, showing my new design;

(51) **LOC (9) Cl.** **10-04**

FIG. 2 is another perspective view of the measuring instrument;

(52) **U.S. Cl.** **D10/92**

(58) **Field of Classification Search** D10/92;
177/4, 25.12–25.16, 177, 199, 210 R, 238–245,
177/DIG. 3; 324/692; 600/506, 547
See application file for complete search history.

FIG. 3 is a perspective view of the weighing device;

FIG. 4 is a top view of the weighing device;

FIG. 5 is a top view of the measurement instrument;

FIG. 6 is top view of the external display; and,

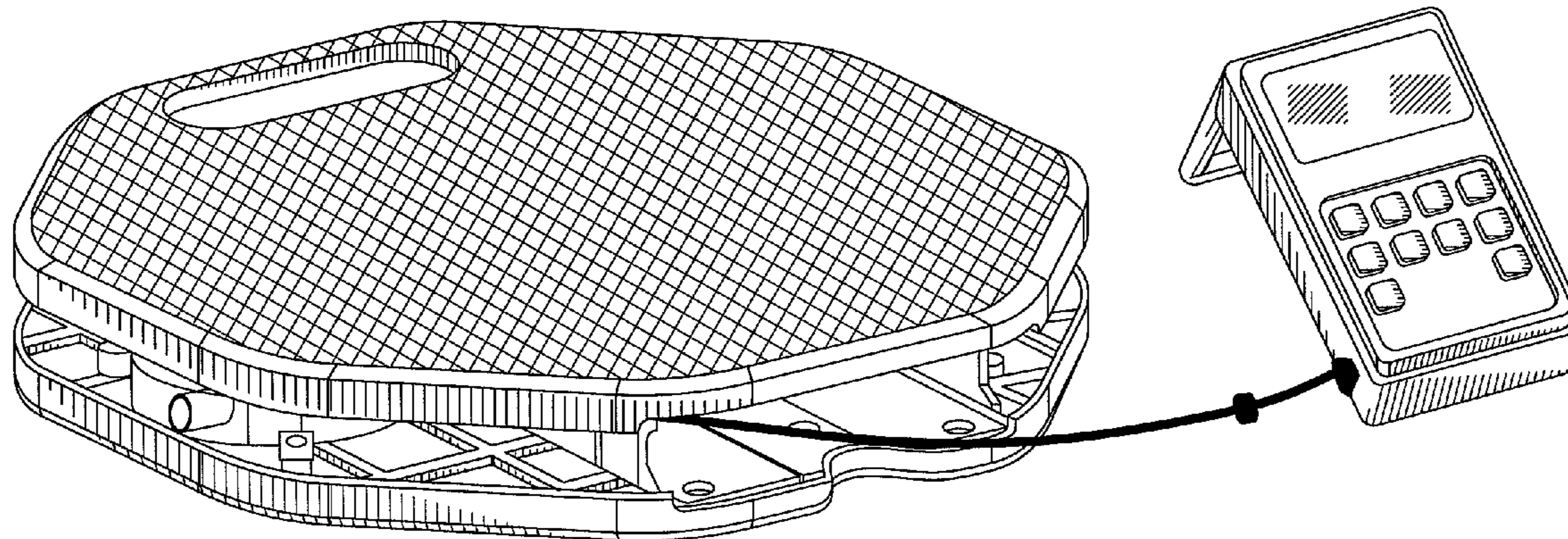
FIG. 7 is a close-up perspective view of the weighing device.

(56) **References Cited**

U.S. PATENT DOCUMENTS

D503,899 S * 4/2005 Yamada et al. D10/92

1 Claim, 5 Drawing Sheets



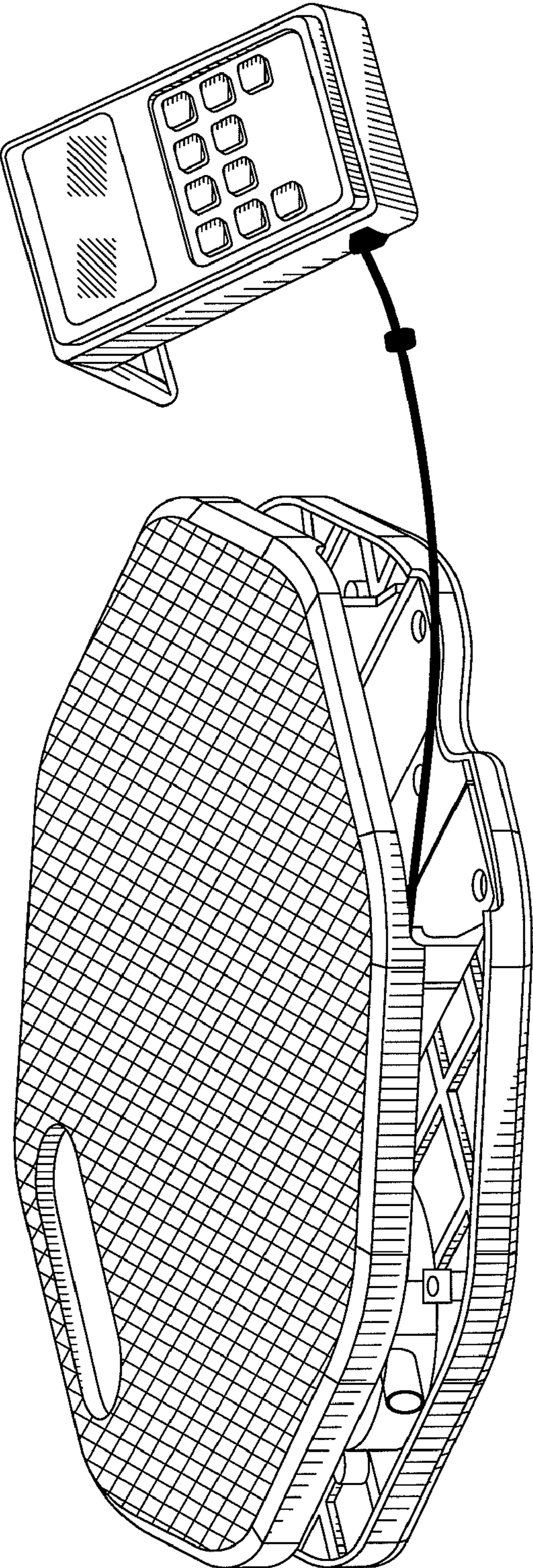


FIG. 1

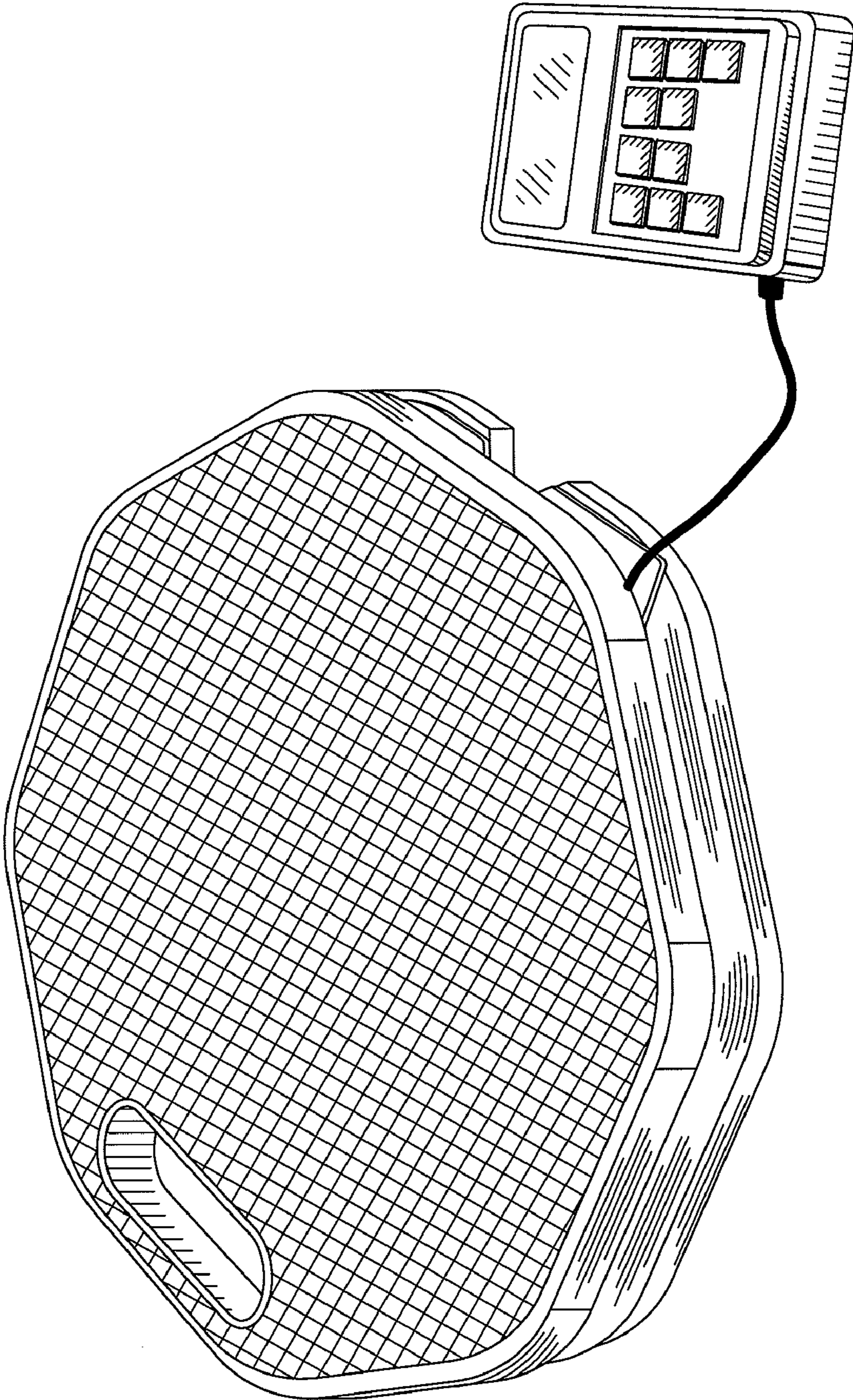


FIG. 2

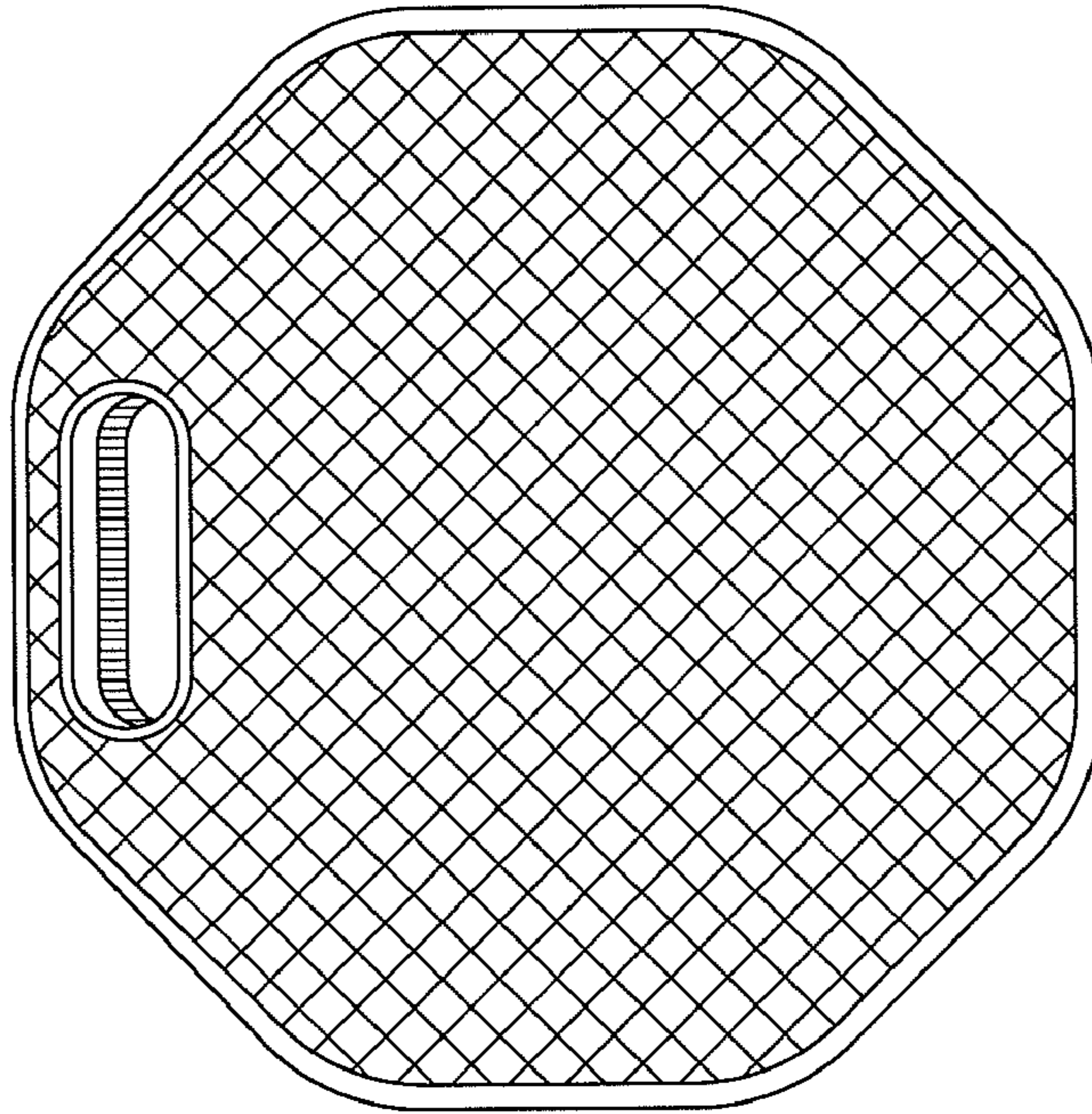


FIG. 4

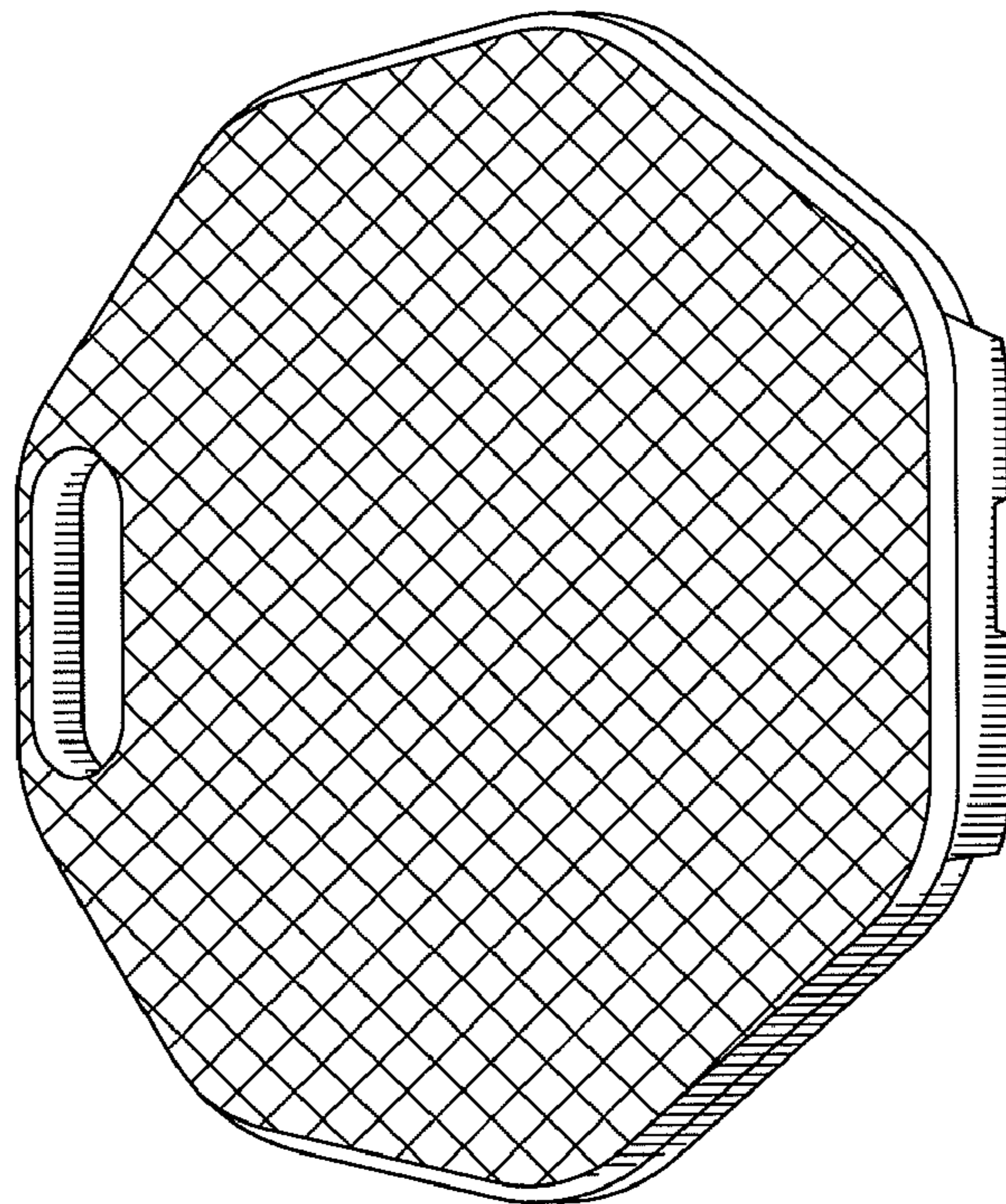


FIG. 3

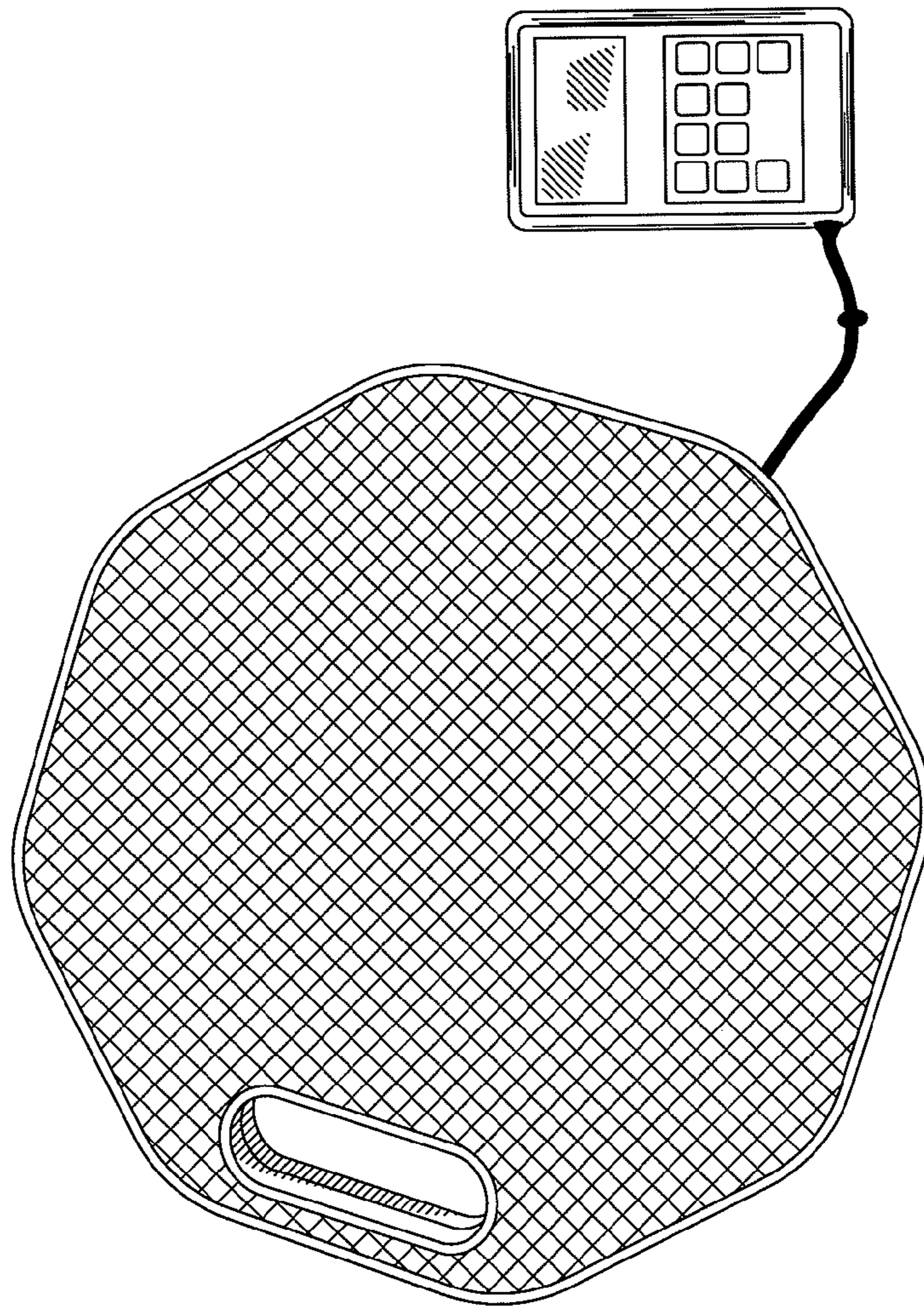


FIG. 5

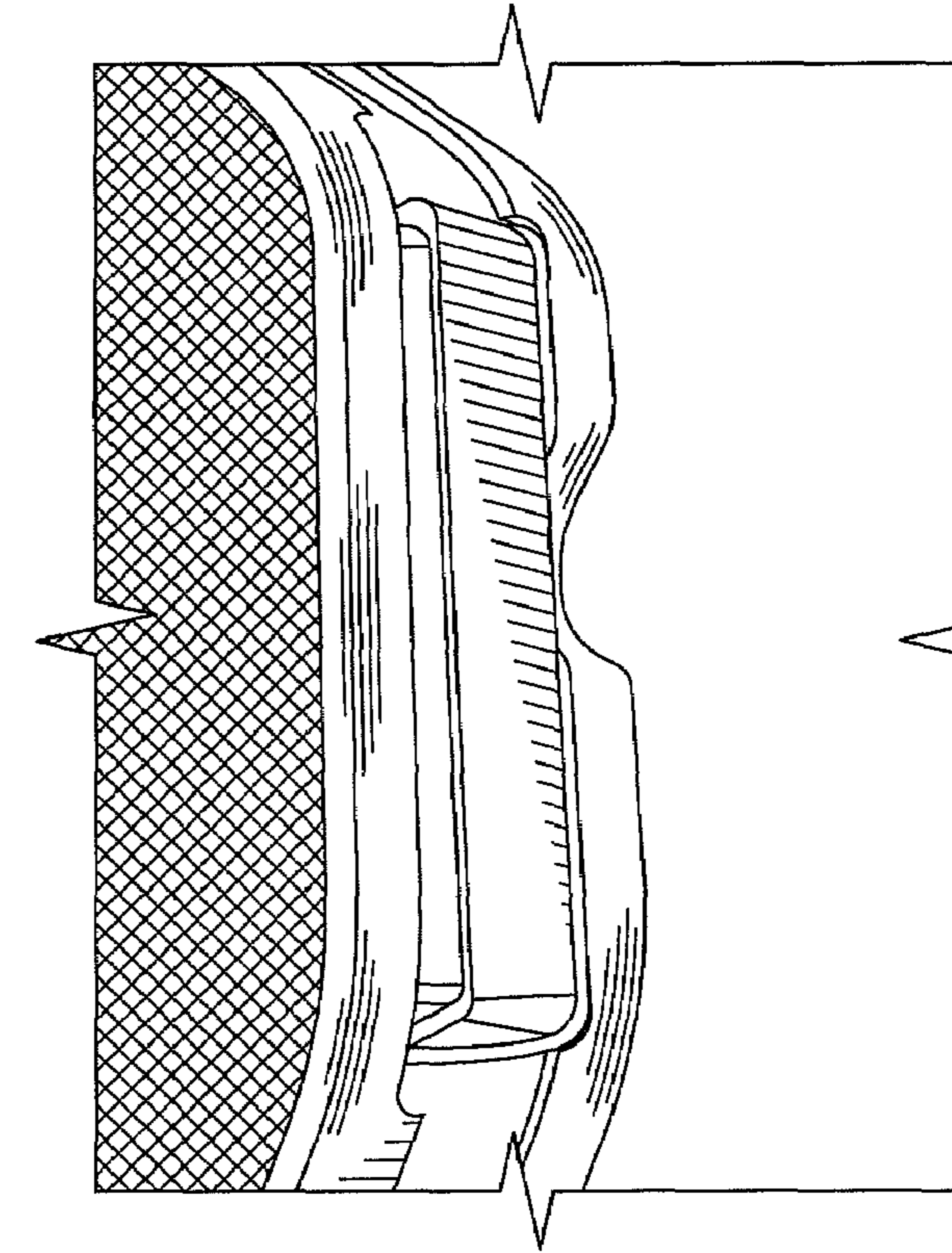


FIG. 7

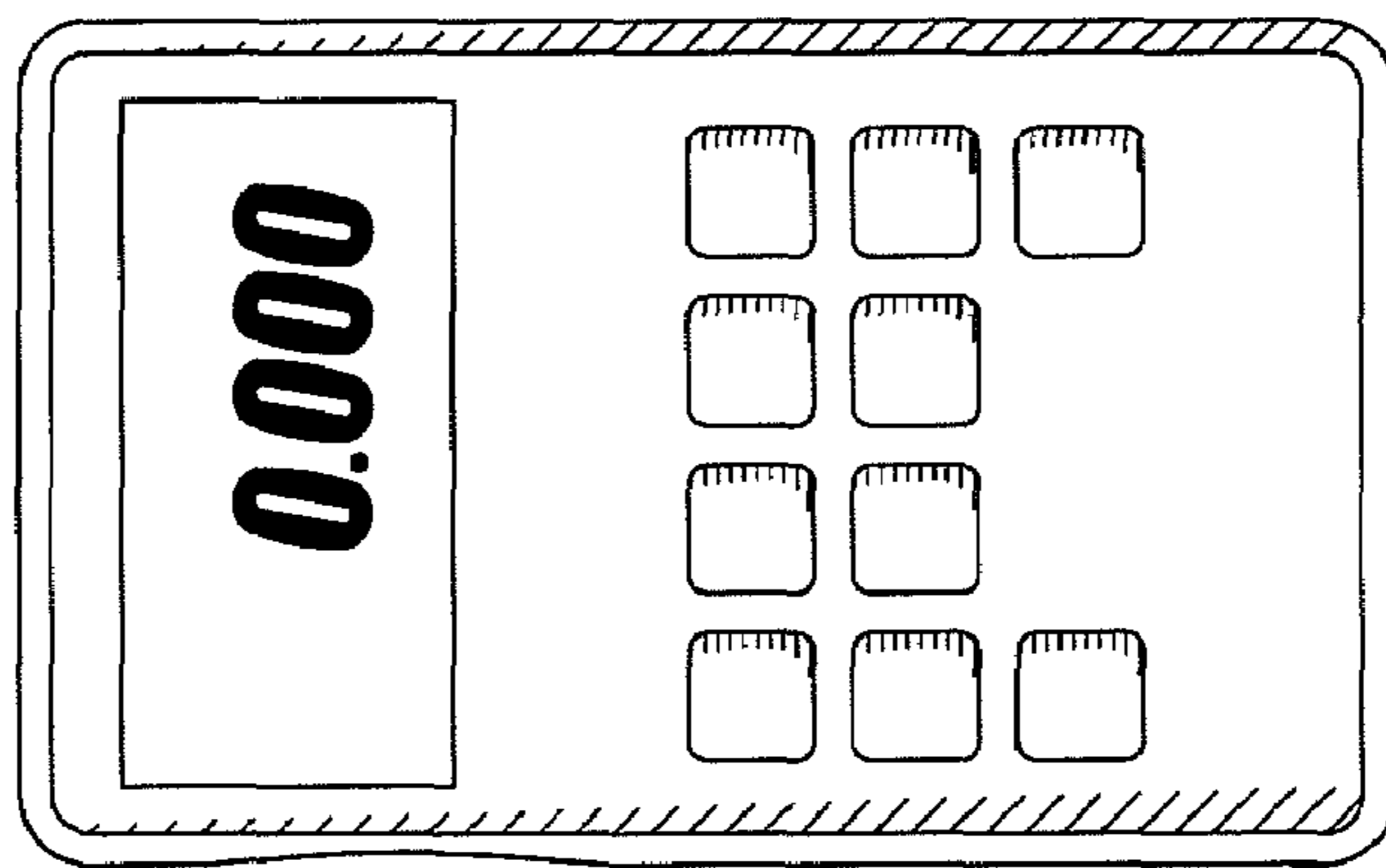


FIG. 6