



US00D614054S

(12) **United States Design Patent**
Fujikawa et al.

(10) **Patent No.:** **US D614,054 S**

(45) **Date of Patent:** **** Apr. 20, 2010**

(54) **MICROMETER HEAD**

D300,009 S * 2/1989 Takahashi et al. D10/73

(75) Inventors: **Yuji Fujikawa**, Kure (JP); **Kouji Matsumoto**, Kure (JP); **Shigeru Ohtani**, Kawasaki (JP); **Kenji Iwamoto**, Kawasaki (JP)

* cited by examiner

Primary Examiner—Antoine D Davis
(74) *Attorney, Agent, or Firm*—Oliff & Berridge, PLC

(73) Assignee: **Mitutoyo Corporation**, Kawasaki-shi (JP)

(57) **CLAIM**

We claim the ornamental design for a micrometer head, as shown and described.

(**) Term: **14 Years**

(21) Appl. No.: **29/350,438**

(22) Filed: **Nov. 17, 2009**

(30) **Foreign Application Priority Data**

May 28, 2009 (JP) 2009-011944

(51) **LOC (9) Cl.** **10-04**

(52) **U.S. Cl.** **D10/73**

(58) **Field of Classification Search** D10/73;
33/783-832, DIG. 12

See application file for complete search history.

(56) **References Cited**

U.S. PATENT DOCUMENTS

4,289,382 A * 9/1981 Clark 345/50
D274,705 S * 7/1984 Nishina et al. D10/73
4,495,701 A * 1/1985 Nakadoi 33/558

DESCRIPTION

FIG. 1 is a front perspective view of one embodiment of a micrometer head.

FIG. 2 is a rear perspective view thereof.

FIG. 3 is a front view thereof.

FIG. 4 is a rear view thereof.

FIG. 5 is a left-side view thereof.

FIG. 6 is a right-side view thereof.

FIG. 7 is a top view thereof.

FIG. 8 is a bottom view thereof.

FIG. 9 is a front view of another embodiment, in which a rotatable display is rotated; and,

FIG. 10 is a front view of a still further embodiment, in which a rotatable display is rotated.

1 Claim, 10 Drawing Sheets

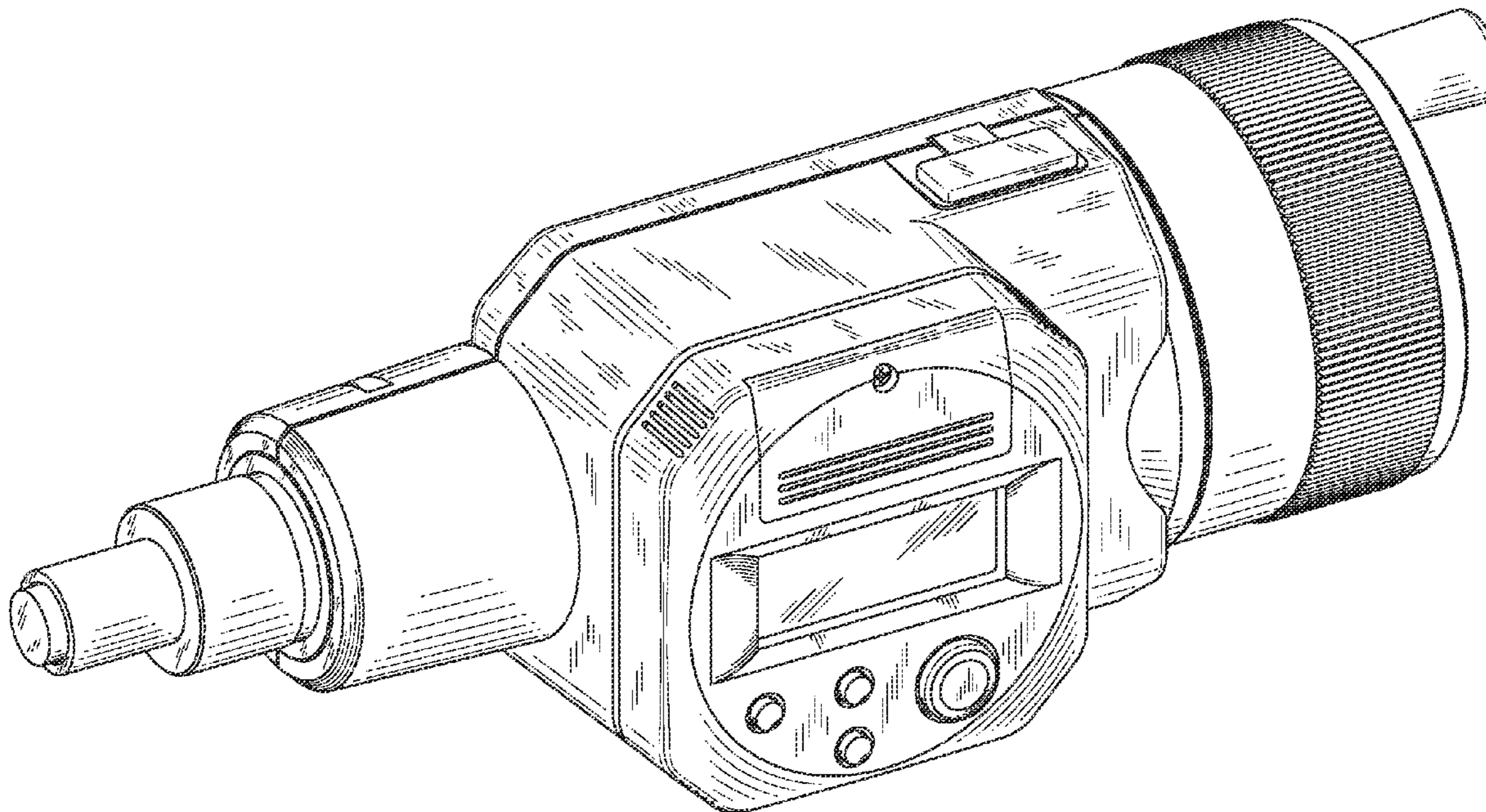


FIG. 1

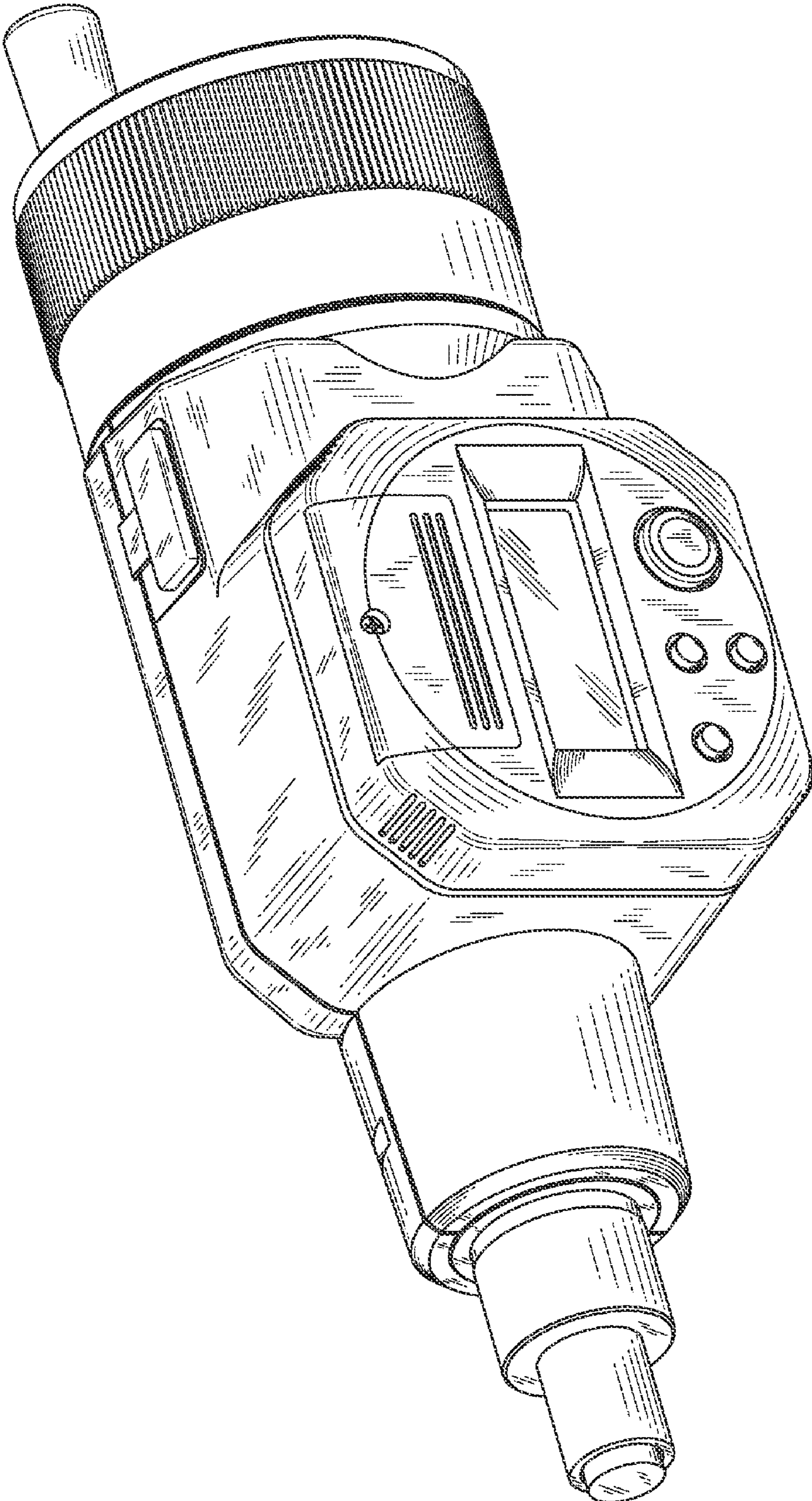


FIG. 2

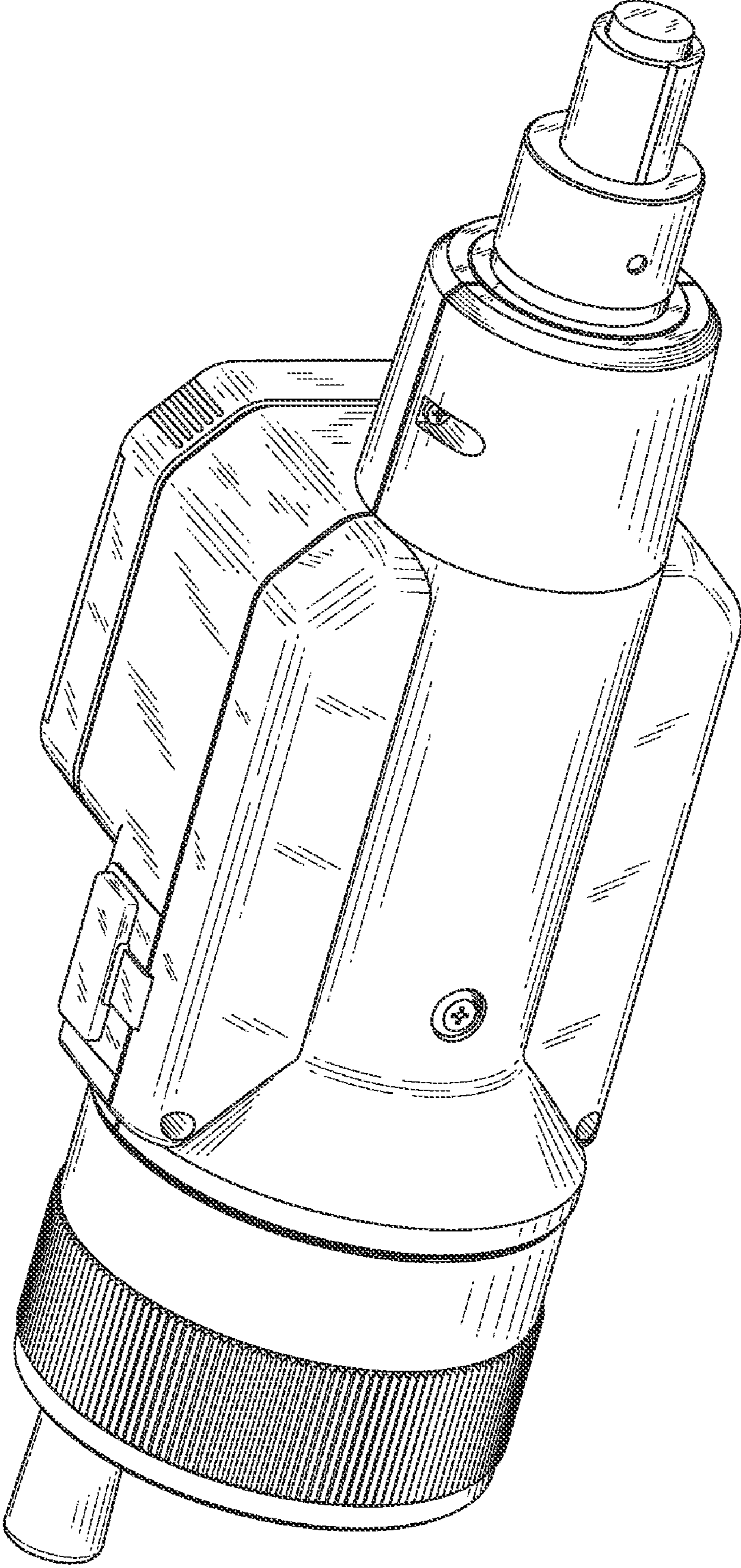


FIG. 3

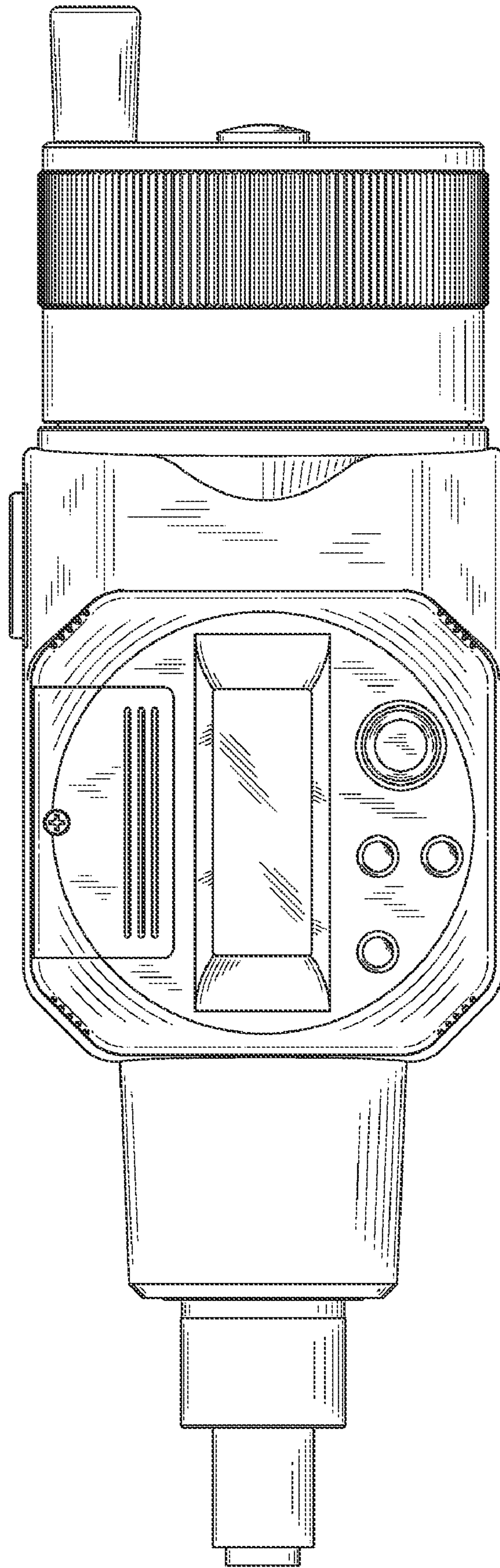


FIG. 4

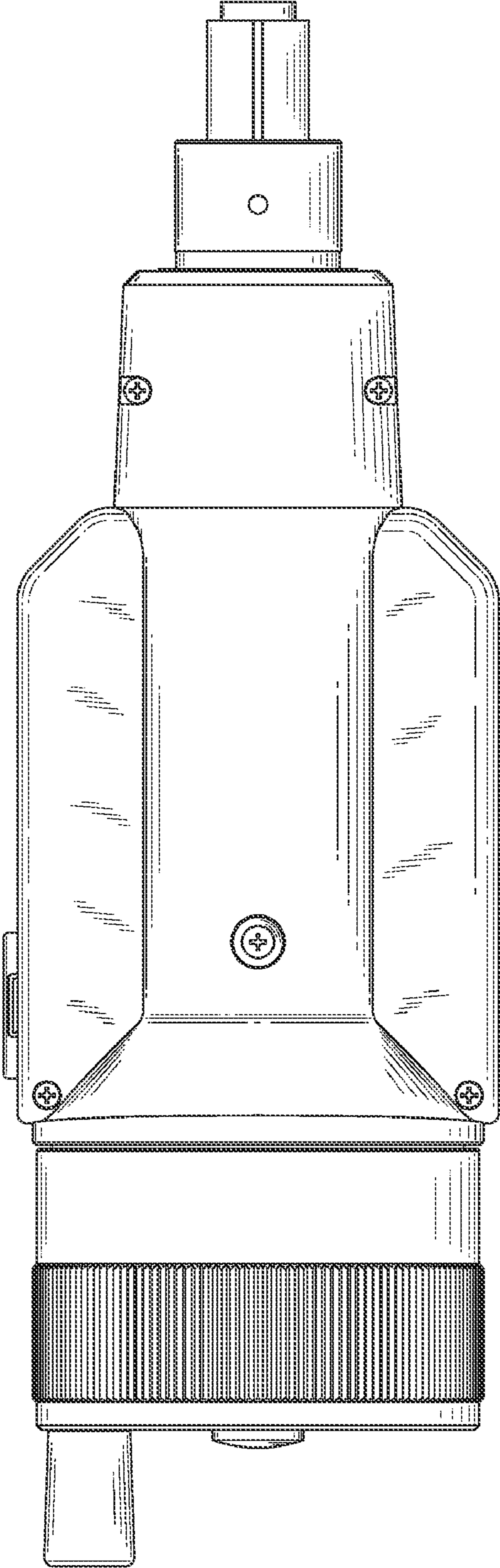


FIG. 5

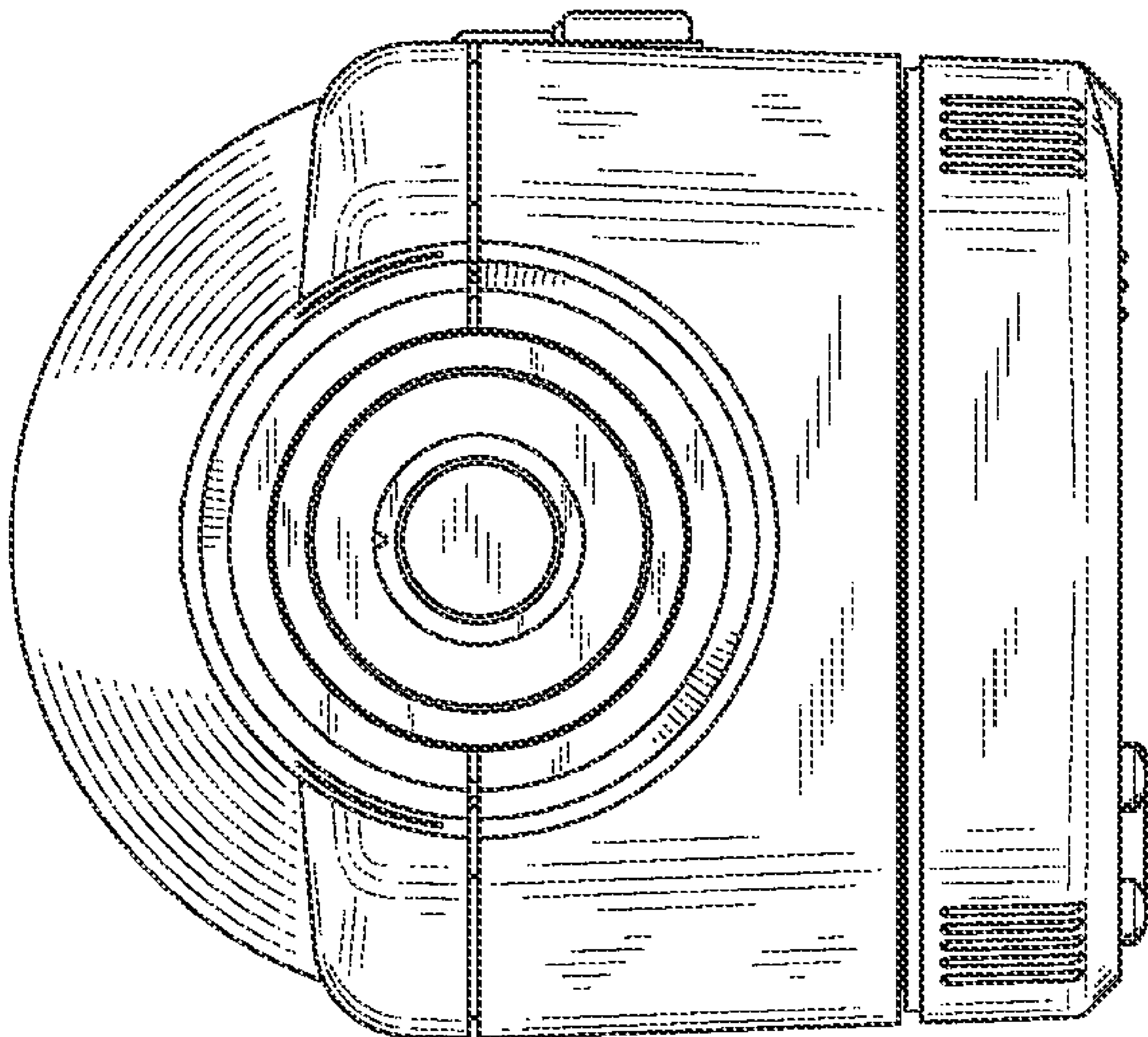


FIG. 6

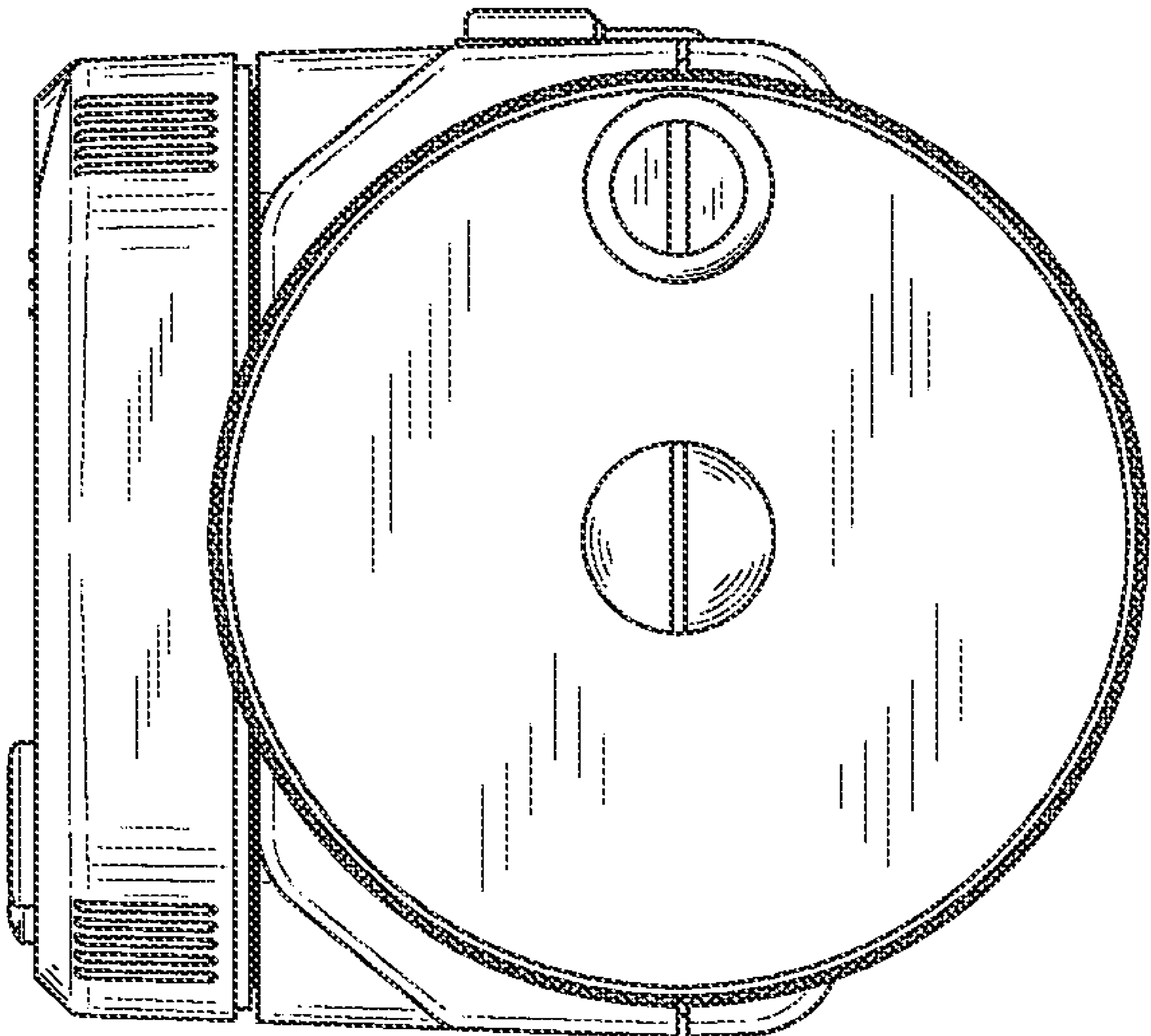


FIG. 7

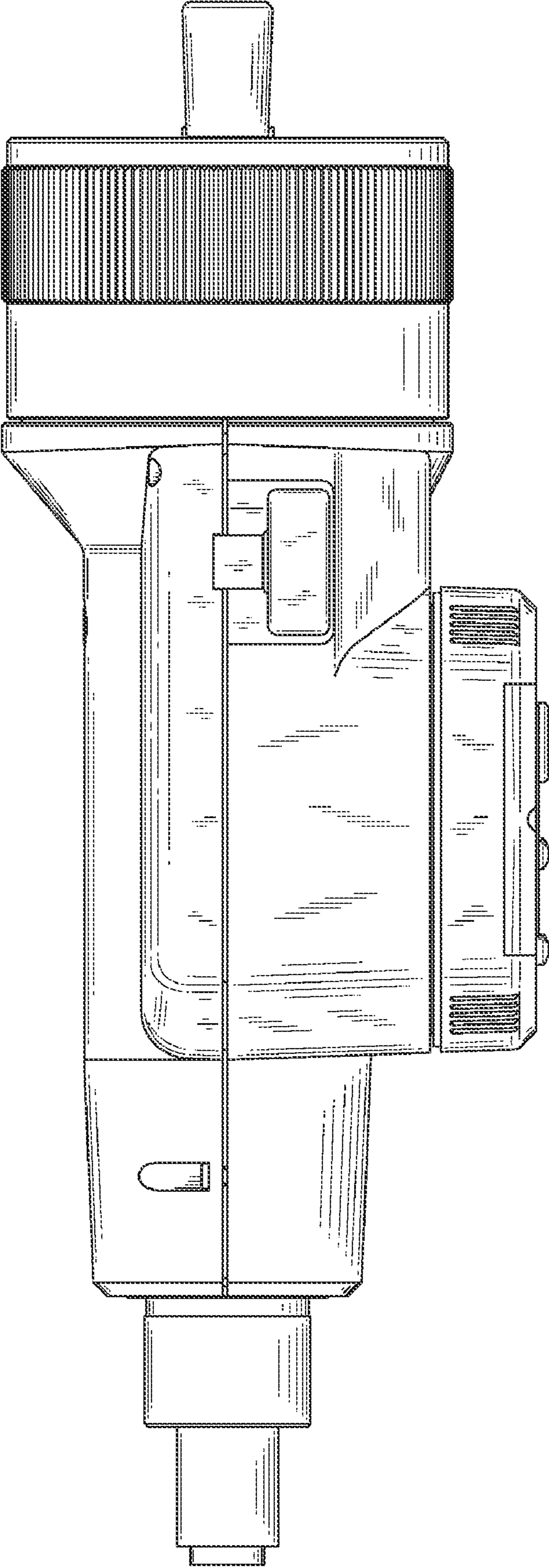


FIG. 8

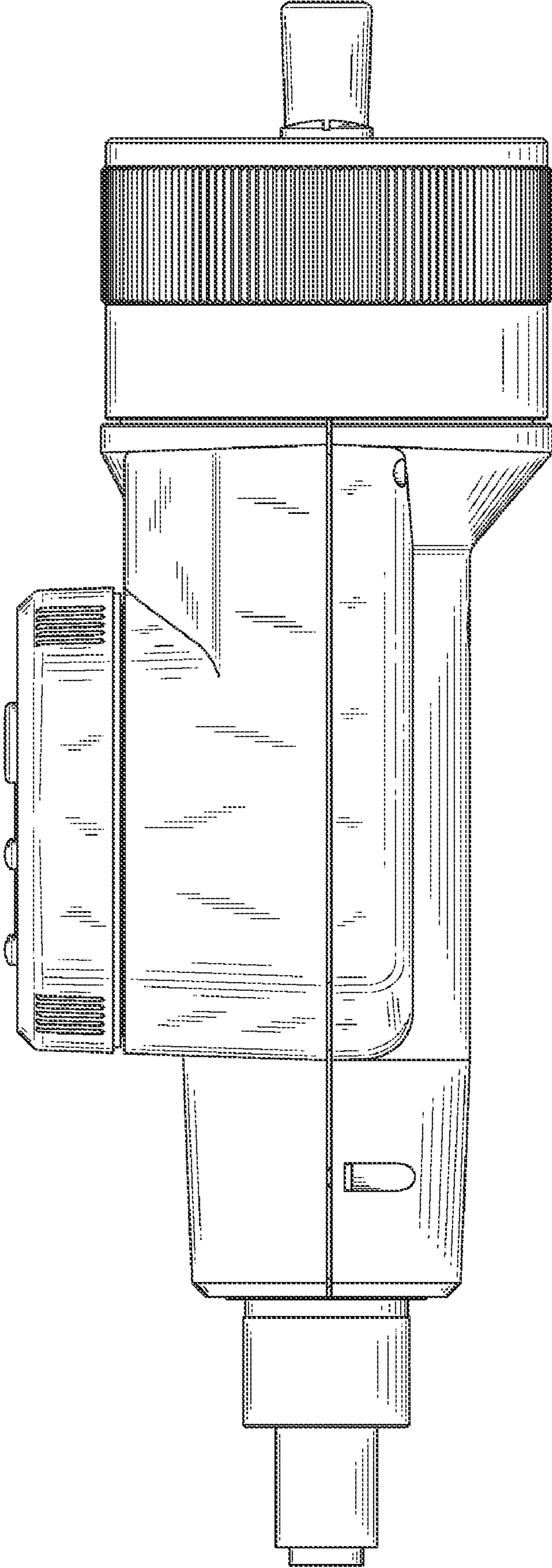


FIG. 9

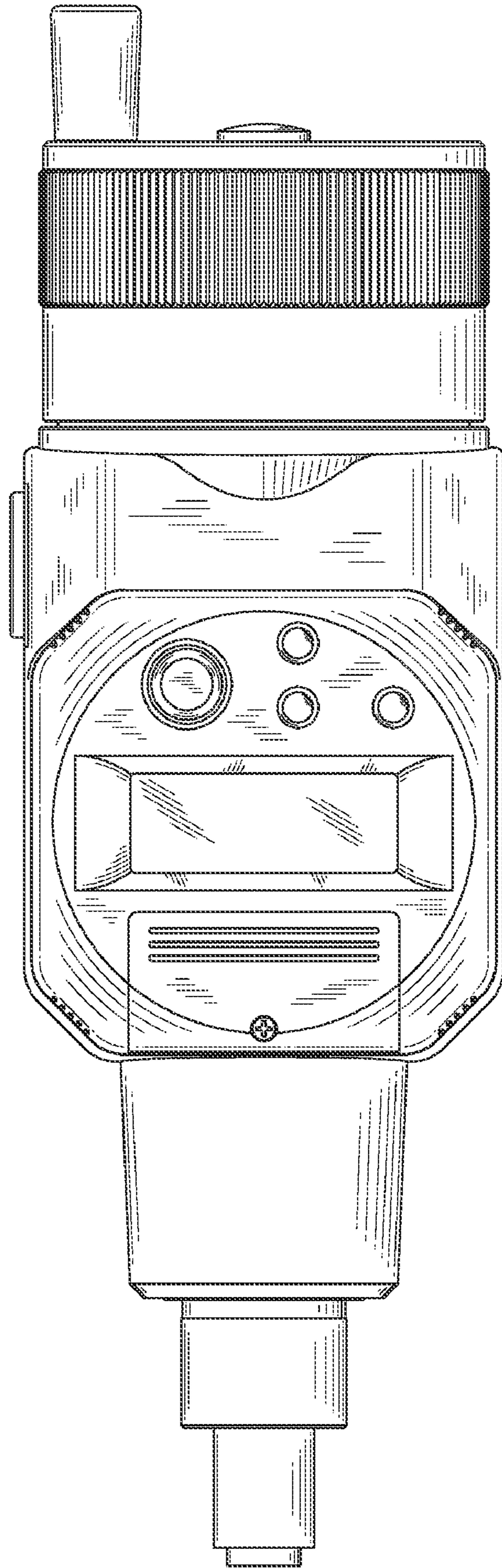


FIG. 10

