



US00D614053S

(12) **United States Design Patent**
Matsumiya et al.

(10) **Patent No.:** **US D614,053 S**
(45) **Date of Patent:** **** Apr. 20, 2010**

(54) **SURFACE-ROUGHNESS MEASUREMENT INSTRUMENT**

(75) Inventors: **Sadayuki Matsumiya**, Kawasaki (JP); **Shigeru Ohtani**, Kawasaki (JP); **Yoshiro Asano**, Tokyo (JP); **Nobuyuki Hama**, Kure (JP); **Manabu Kazehaya**, Kure (JP)

(73) Assignee: **Mitutoyo Corporation**, Kawasaki-shi (JP)

(**) Term: **14 Years**

(21) Appl. No.: **29/350,445**

(22) Filed: **Nov. 17, 2009**

(30) **Foreign Application Priority Data**

Jun. 4, 2009 (JP) 2009-012648

(51) **LOC (9) Cl.** **10-04**

(52) **U.S. Cl.** **D10/70**

(58) **Field of Classification Search** D10/70;
356/237.2, 446, 600

See application file for complete search history.

(56) **References Cited**

U.S. PATENT DOCUMENTS

5,179,425 A * 1/1993 Reinsch et al. 356/600

* cited by examiner

Primary Examiner—Antoine D Davis

(74) *Attorney, Agent, or Firm*—Oliff & Berridge, PLC

(57) **CLAIM**

We claim the ornamental design for a surface-roughness measurement instrument, as shown and described.

DESCRIPTION

FIG. 1 is a perspective view of a surface-roughness measurement instrument.

FIG. 2 is a front view thereof.

FIG. 3 is a rear view thereof.

FIG. 4 is a left-side view thereof.

FIG. 5 is a right-side view thereof.

FIG. 6 is a top view thereof.

FIG. 7 is a bottom view thereof.

FIG. 8 is a cross sectional view taken along the line 8 to 8 in FIG. 6, in which internal mechanisms are omitted for clarity of illustration.

FIG. 9 is a cross sectional view taken along the line 9 to 9 in FIG. 6, in which the internal mechanisms are omitted for clarity of illustration.

FIG. 10 is a top view thereof, in which a cover is slid and opened.

FIG. 11 is a perspective view thereof, in which the cover is slid and opened; and,

FIG. 12 is a perspective view thereof, in which a detector is taken out therefrom.

The broken lines depict environmental subject matter only and form no part of the claimed design.

1 Claim, 12 Drawing Sheets

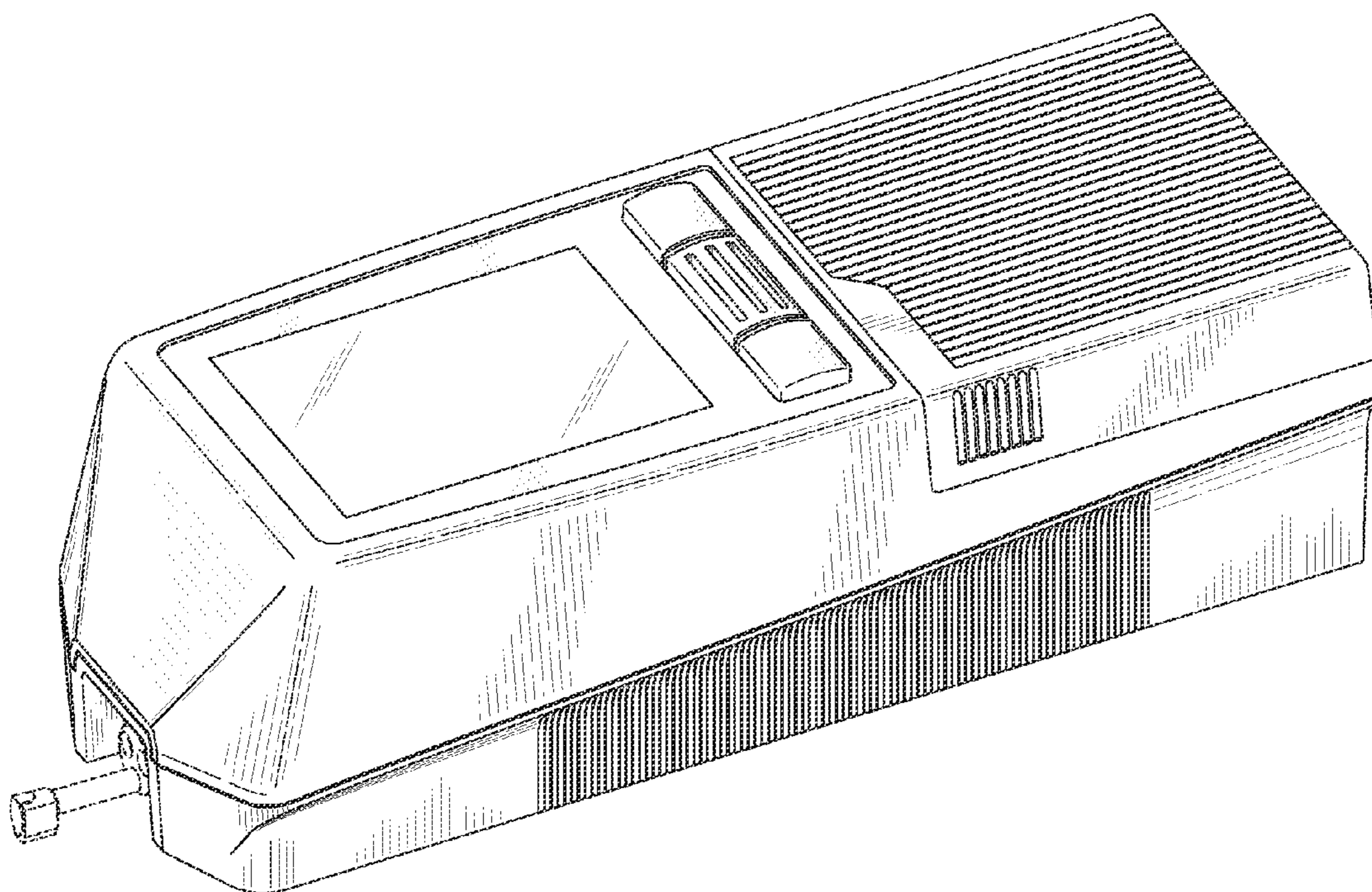


FIG. 1

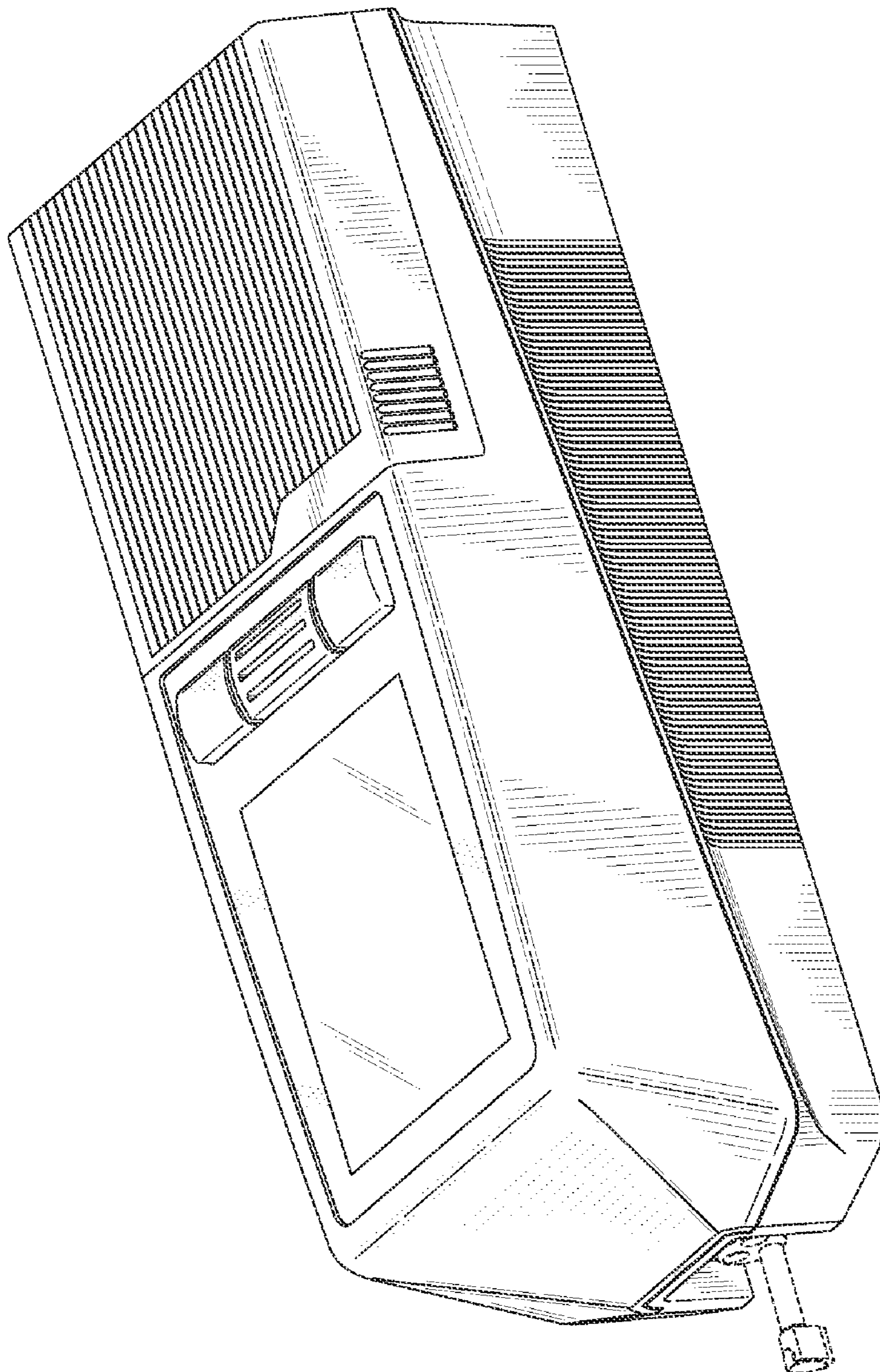


FIG. 2

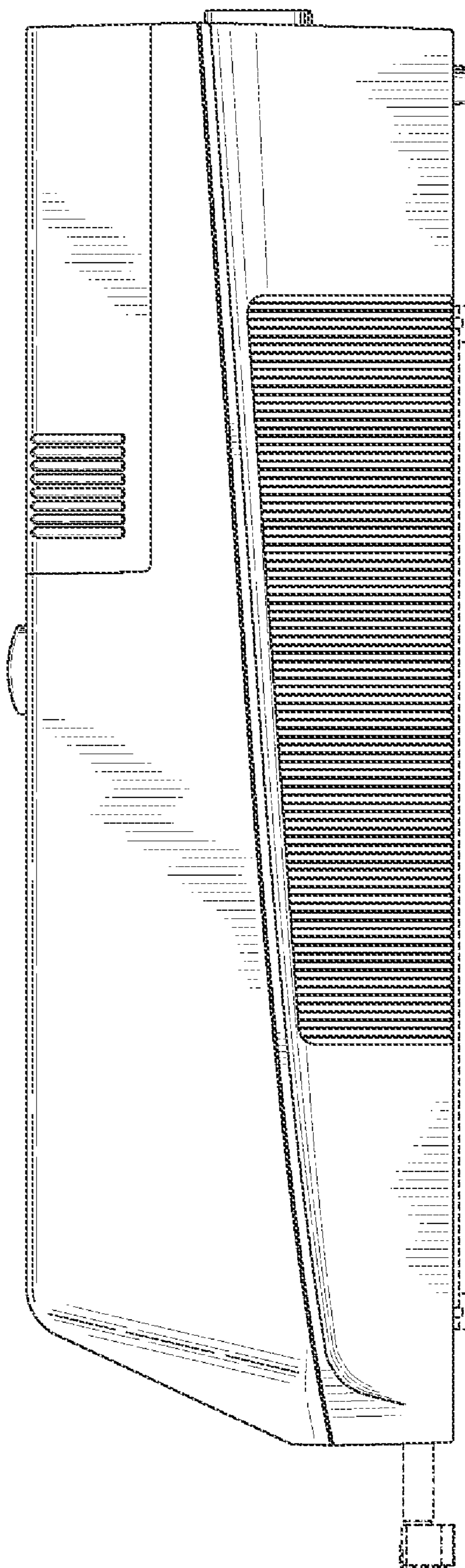


FIG. 3

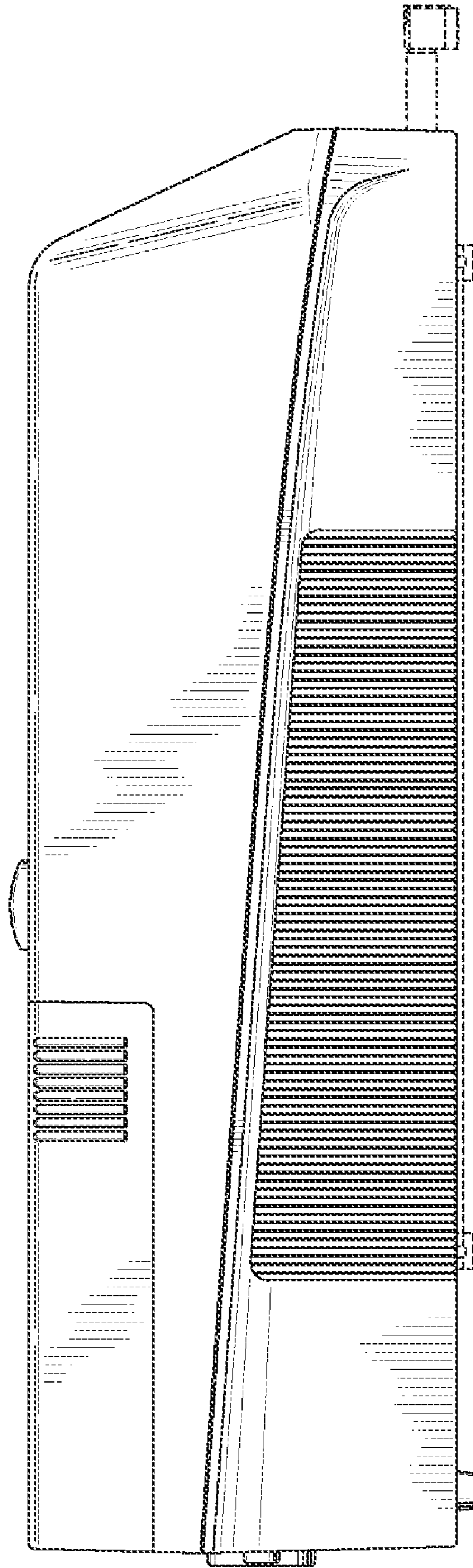


FIG. 4

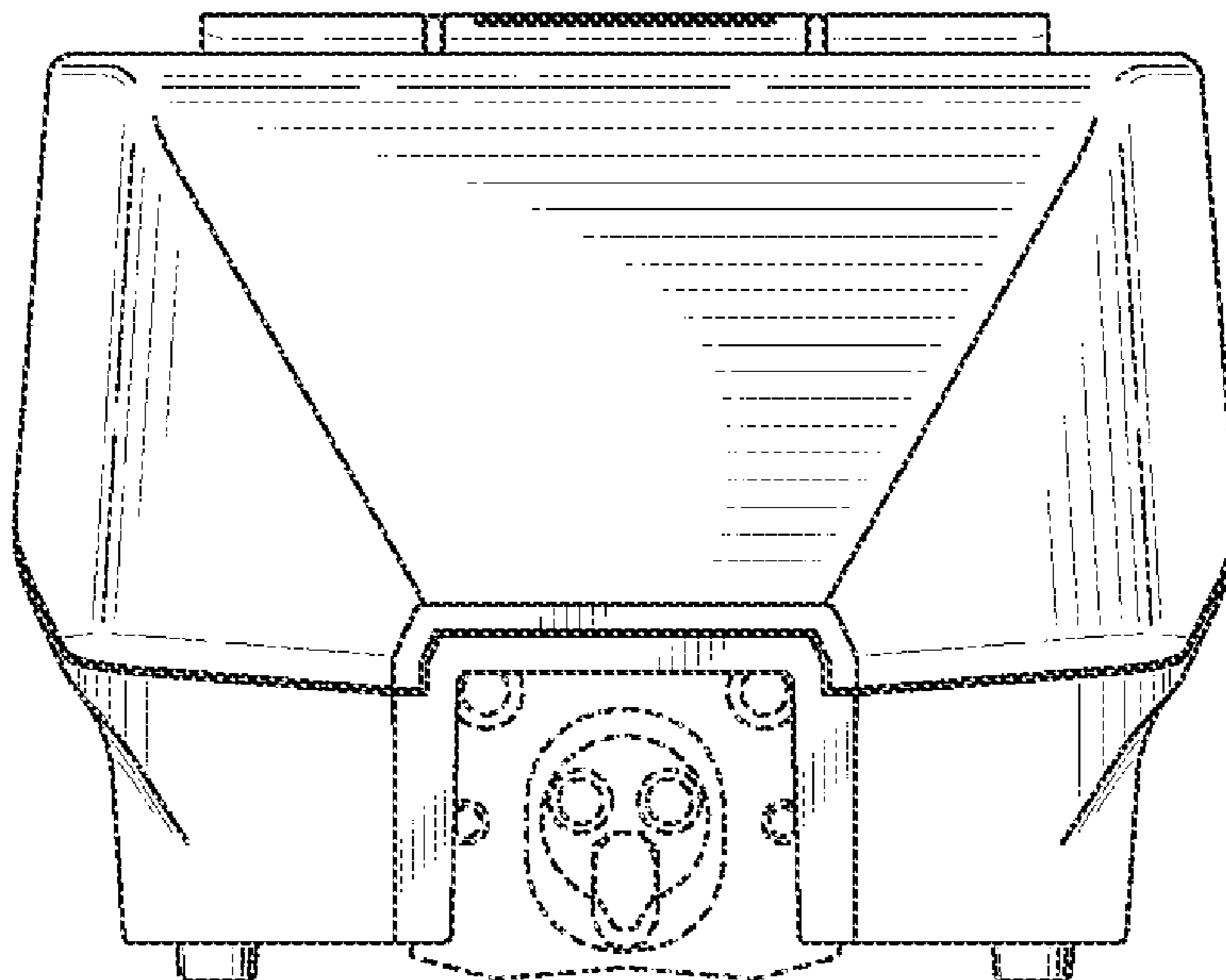


FIG. 5

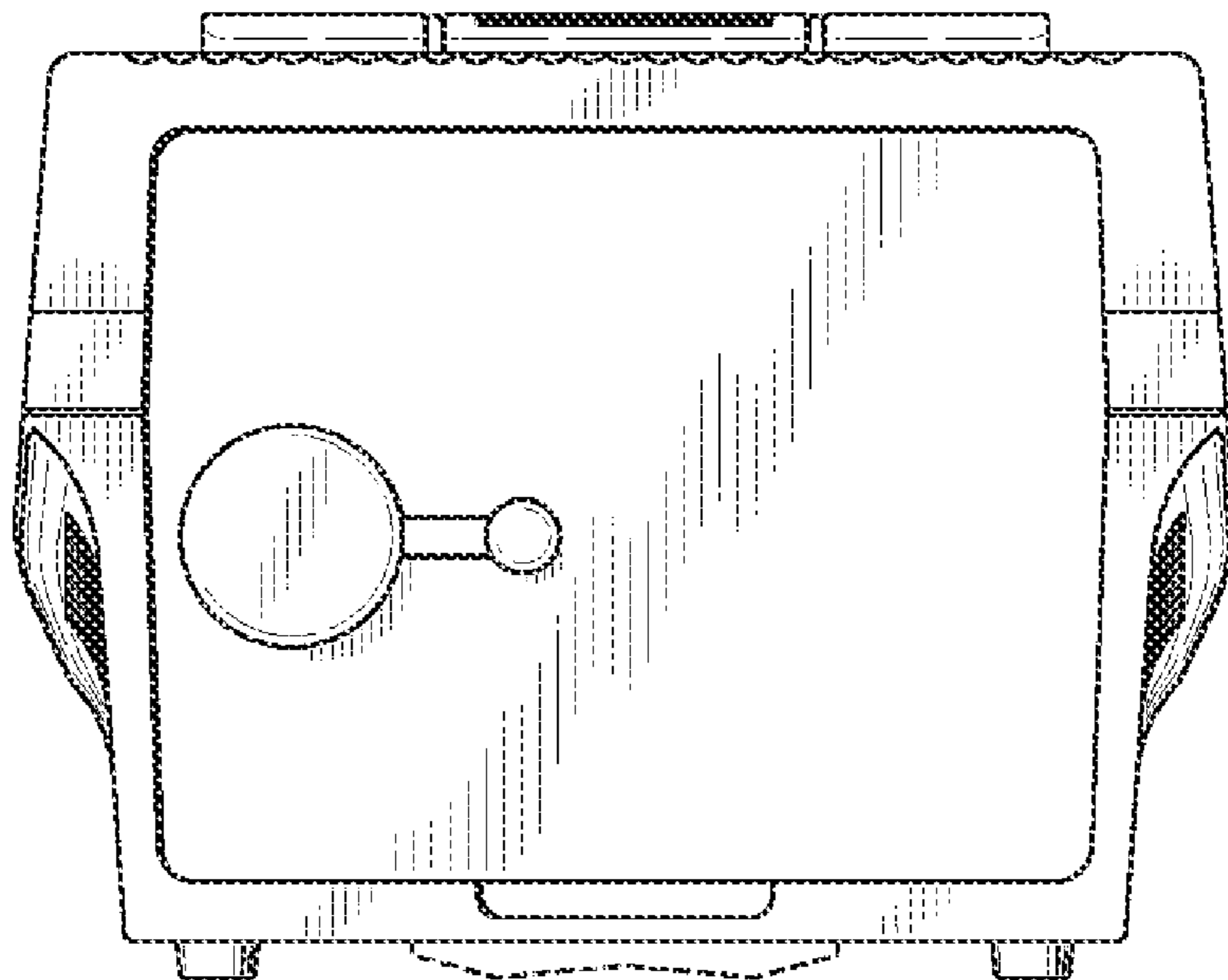


FIG. 6

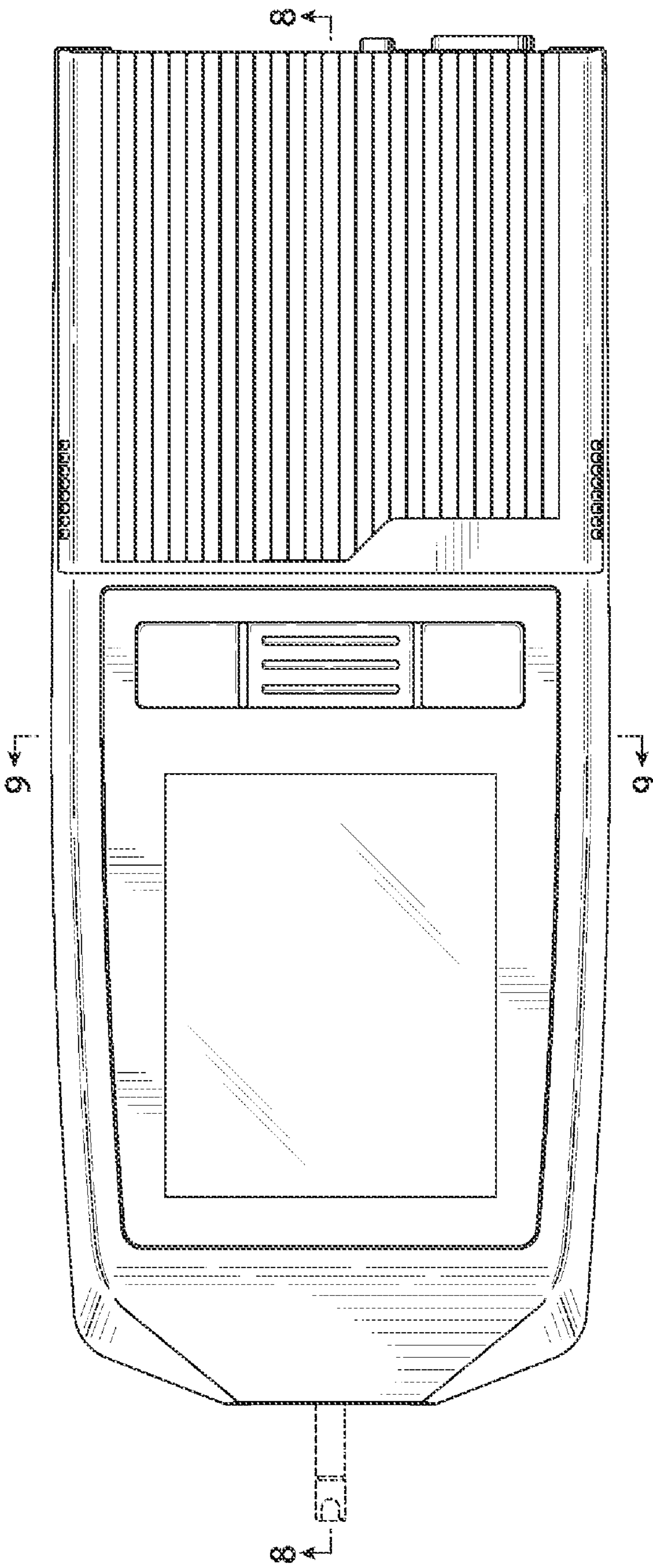


FIG. 7

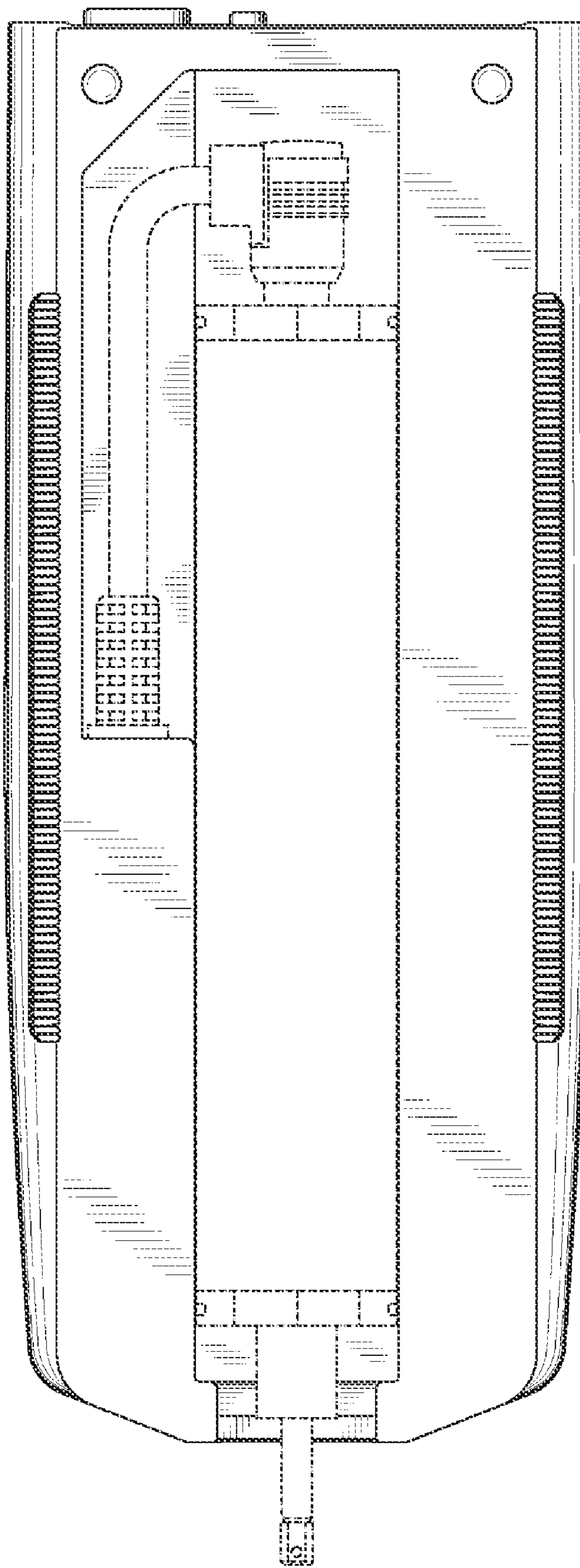


FIG. 8

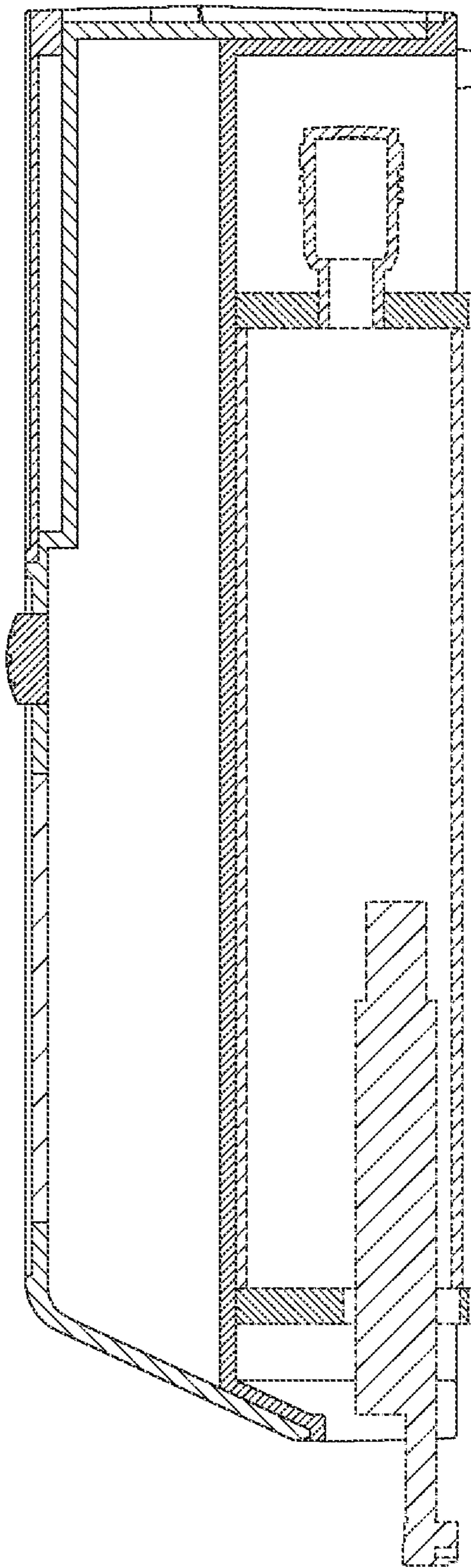


FIG. 9

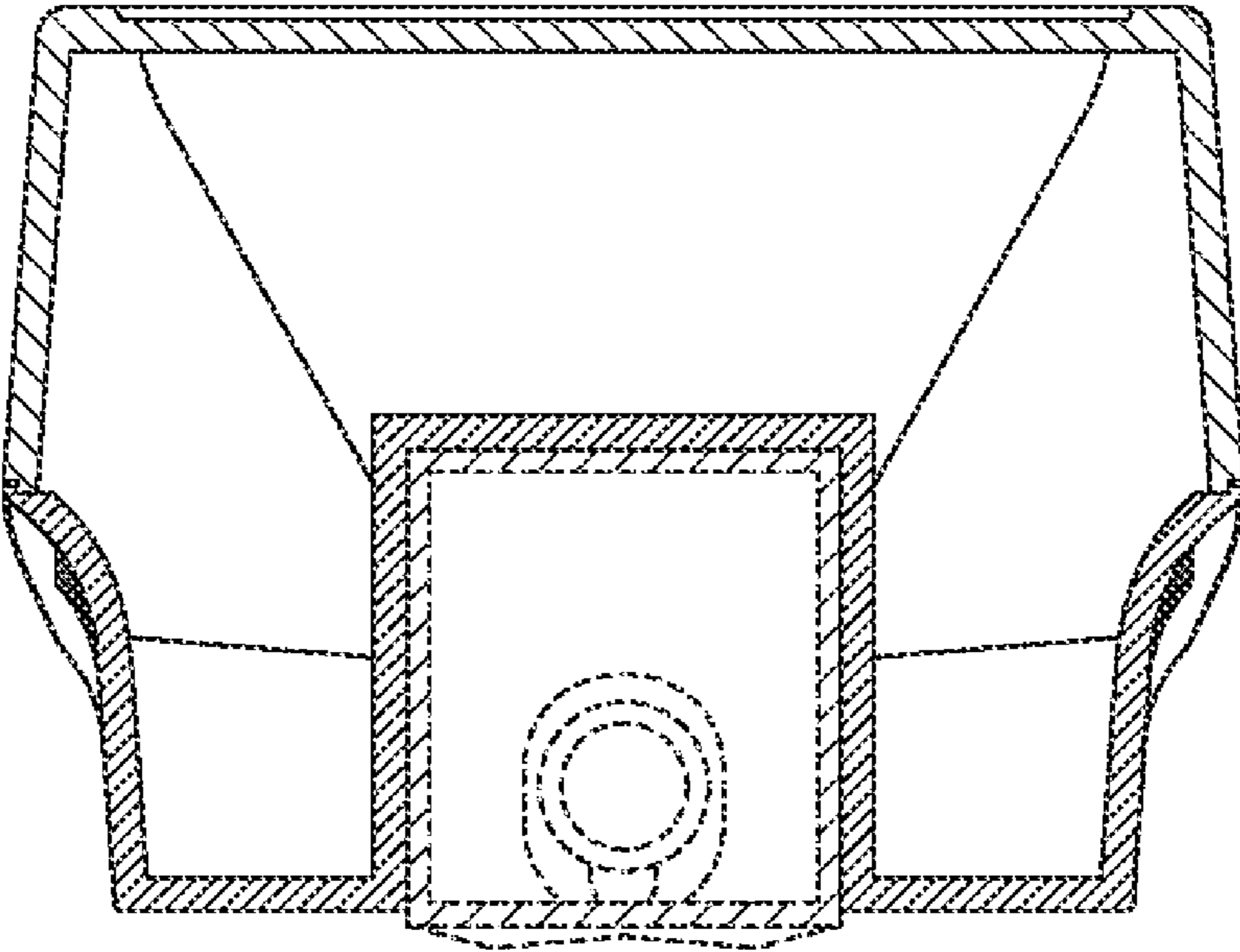


FIG. 10

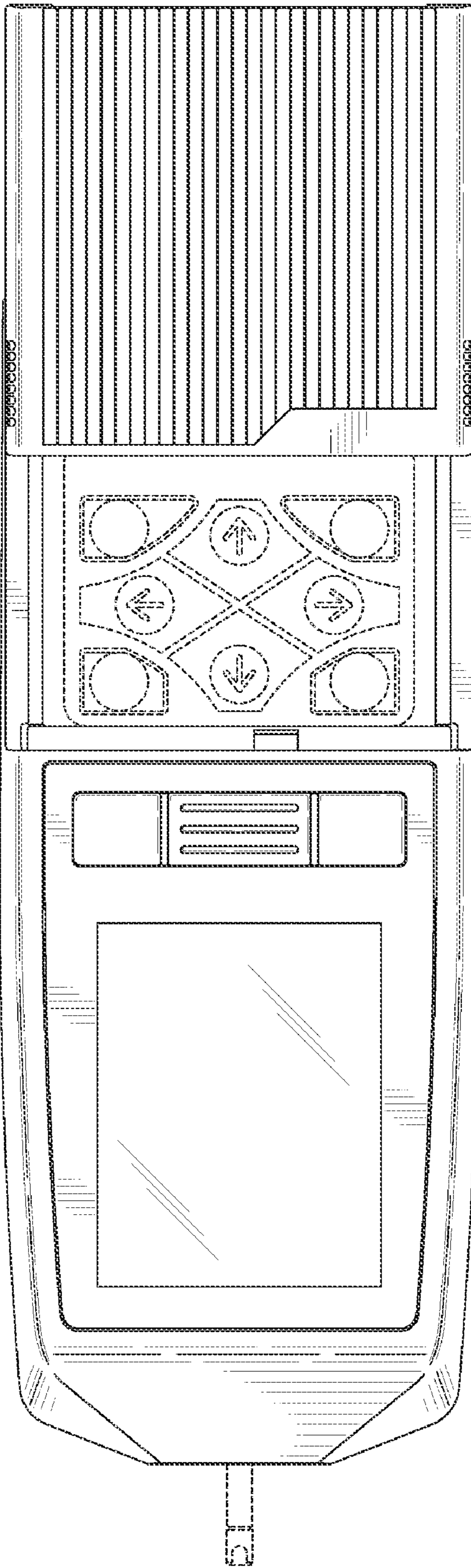


FIG. 11

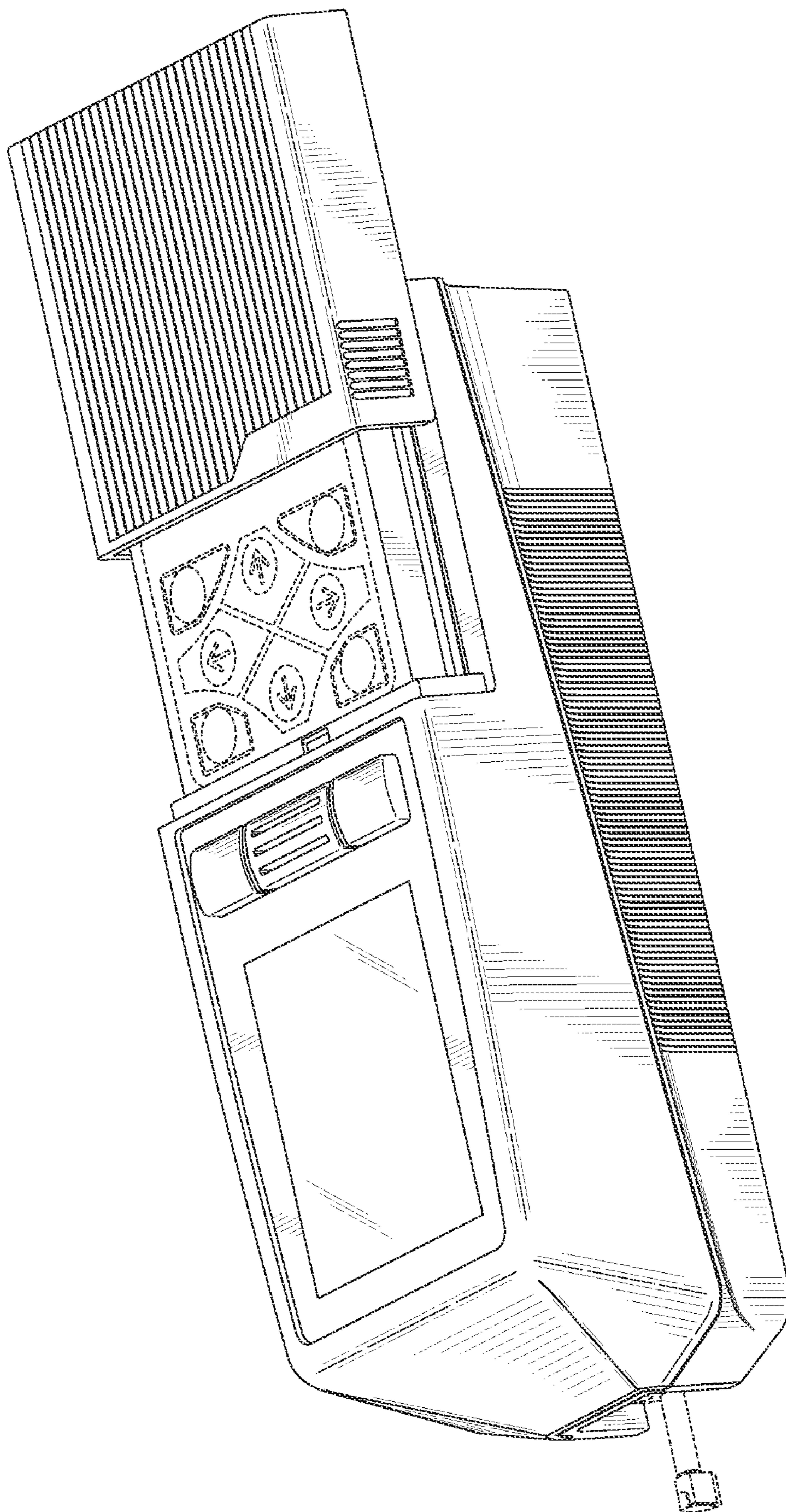


FIG. 12

