



US00D614047S

(12) **United States Design Patent**
Landry

(10) **Patent No.:** **US D614,047 S**
(45) **Date of Patent:** **** Apr. 20, 2010**

(54) **TRAY**
(75) Inventor: **Paul Landry**, Cheraw, SC (US)
(73) Assignee: **Cascades Canada Inc.** (CA)
(**) Term: **14 Years**
(21) Appl. No.: **29/336,012**
(22) Filed: **Apr. 27, 2009**

5,096,065 A 3/1992 Vigue
D331,008 S 11/1992 Vigue
5,316,173 A 5/1994 Emery
5,335,814 A 8/1994 Hepp
5,566,852 A 10/1996 Emery
D384,275 S 9/1997 DuBois et al.
5,713,619 A 2/1998 DuBois et al.
6,076,876 A 6/2000 Letourneau et al.

(Continued)

(51) **LOC (9) Cl.** **09-03**
(52) **U.S. Cl.** **D9/755**
(58) **Field of Classification Search** D9/755,
D9/425, 428, 420, 432, 455, 456, 424, 737;
D7/553.1, 553.2, 553.3; 248/311.2; 220/23.8,
220/507; 206/592, 557, 564, 433, 203, 427,
206/521, 521.1; 229/406, 407, 902, 904;
294/143, 159, 144, 172

FOREIGN PATENT DOCUMENTS

CA 2060608 9/1999

(Continued)

OTHER PUBLICATIONS

See application file for complete search history.

http://web.archive.org/web/20080129082914/http://www.reliablepaper.com/Chinet_Paper_Beverage_Carrier_4_Cup_p/huhflurry.thm.

(56) **References Cited**

U.S. PATENT DOCUMENTS

D236,575 S * 9/1975 Vigue D7/553.4
D249,620 S 9/1978 Vigue
D249,622 S 9/1978 Vigue
D249,769 S 10/1978 Vigue
D250,091 S * 10/1978 Jewell D9/755
D250,243 S 11/1978 Vigue
D253,561 S 12/1979 Vigue
4,208,006 A 6/1980 Bixler et al.
4,218,008 A 8/1980 Veilleux
4,381,847 A 5/1983 Bessett et al.
D274,110 S 6/1984 Vigue
D279,259 S * 6/1985 Bixler et al. D9/755
D289,010 S 3/1987 Vigue
D290,580 S 6/1987 Vigue
4,718,555 A 1/1988 Amberg
D302,114 S 7/1989 Ashby
D302,122 S 7/1989 Ashby
4,863,451 A 9/1989 Marder
D309,258 S 7/1990 Vigue
4,961,500 A 10/1990 Coulombe
D319,579 S 9/1991 Vigue

Primary Examiner—Ian Simmons
Assistant Examiner—Mark A Goodwin
(74) *Attorney, Agent, or Firm*—Saidman DesignLaw Group

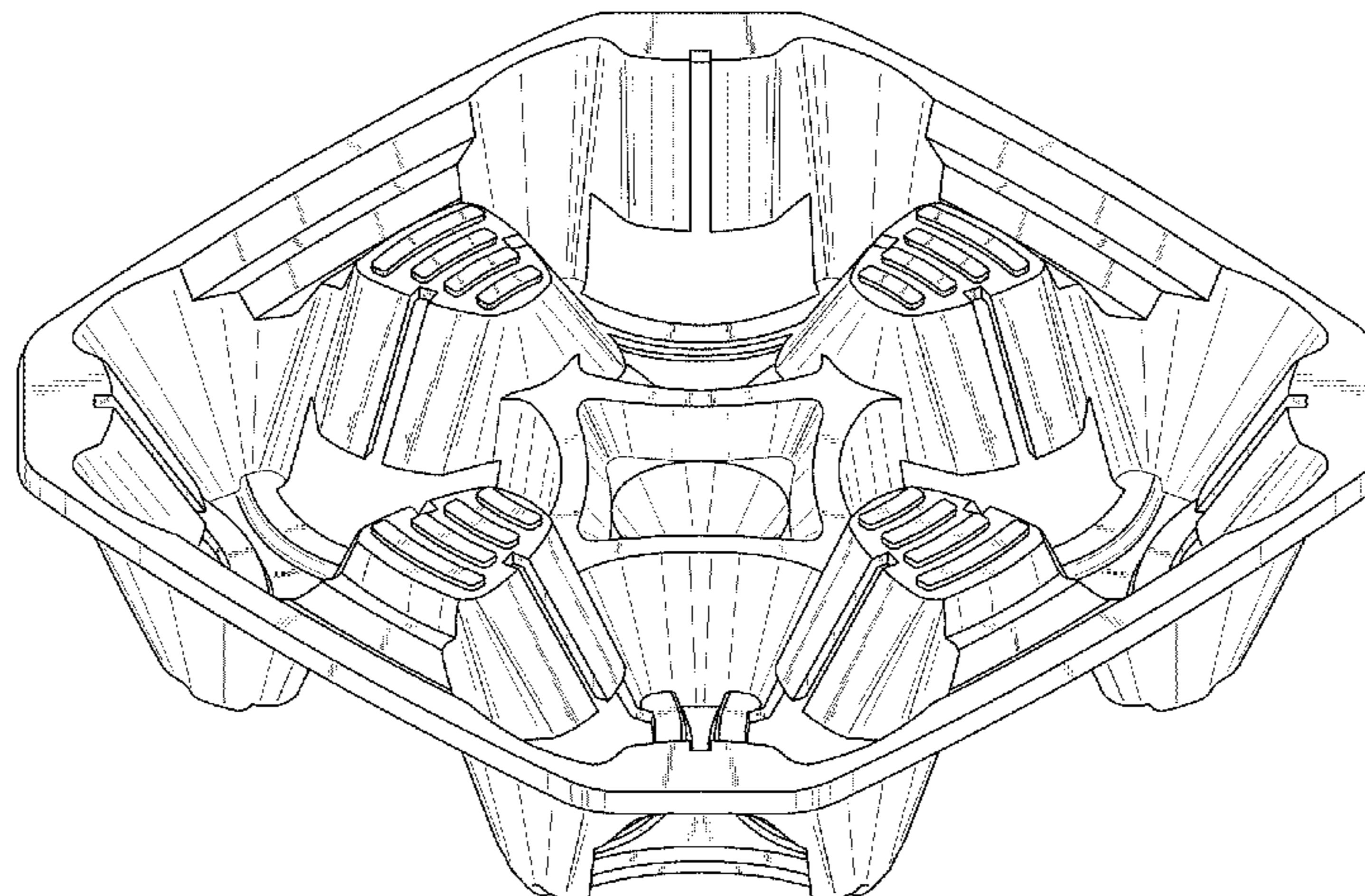
(57) **CLAIM**

The ornamental design for a tray, as shown and described.

DESCRIPTION

FIG. 1 is a perspective view of a tray showing my new design;
FIG. 2 is a front view thereof, the rear, left side, and right side
views being identical thereto;
FIG. 3 is a top view thereof; and,
FIG. 4 is a bottom view thereof.
The broken lines are environmental only and form no part of
the claimed design.

1 Claim, 3 Drawing Sheets



US D614,047 S

Page 2

U.S. PATENT DOCUMENTS

D436,853 S 1/2001 Sussman
D438,100 S 2/2001 Cekota
6,398,056 B1 6/2002 Letournaeu et al.
6,679,380 B2 1/2004 Brown
7,225,927 B2 6/2007 Sweeney
D552,488 S 10/2007 Huhtamaki
D554,533 S 11/2007 Huhtamaki

2007/0017827 A1 1/2007 Urquhart et al.
2007/0278126 A1 12/2007 Hatcher
2008/0135445 A1 6/2008 Juliano

FOREIGN PATENT DOCUMENTS

WO WO 2006065132 6/2006

* cited by examiner

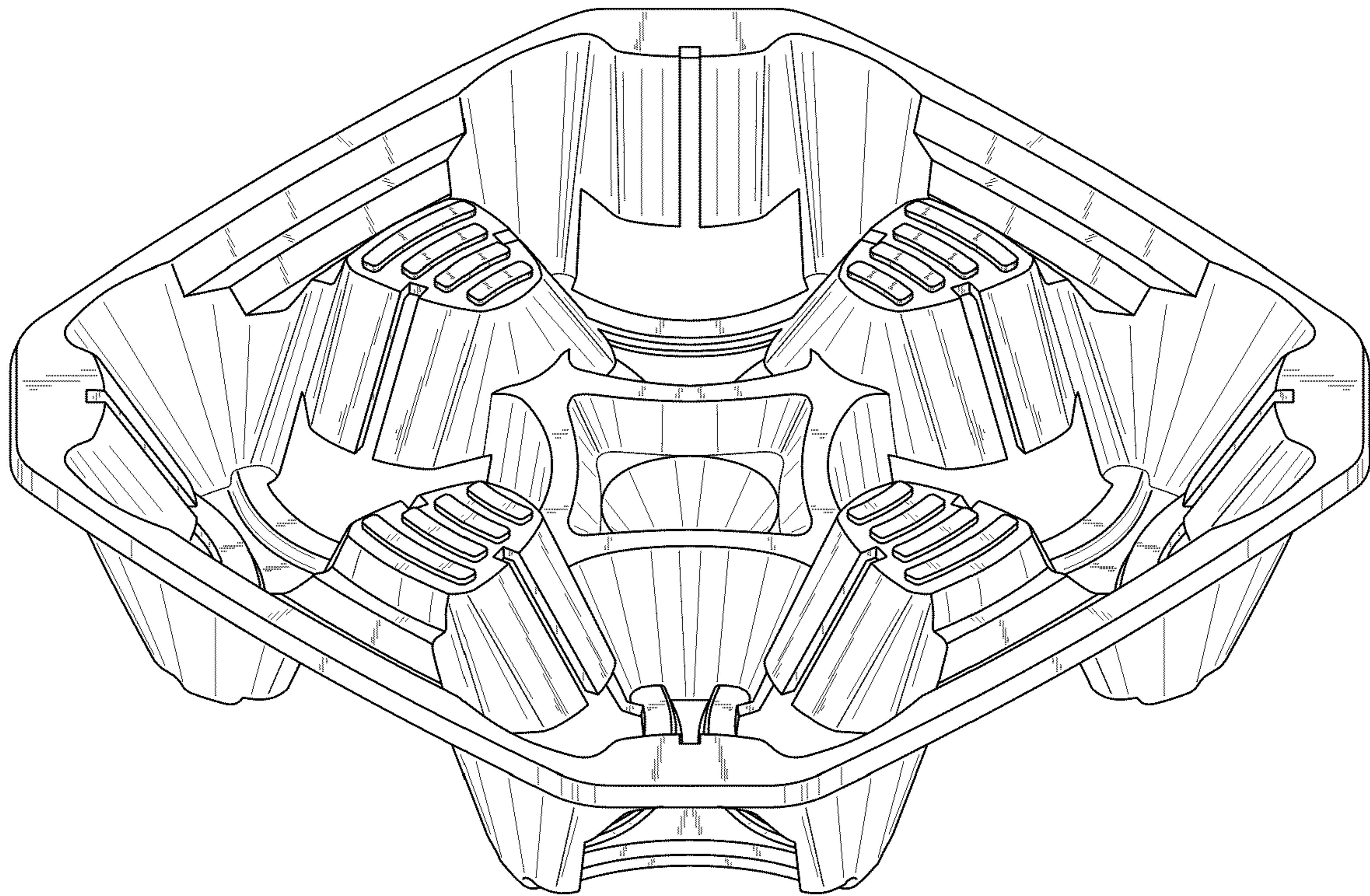


Fig. 1

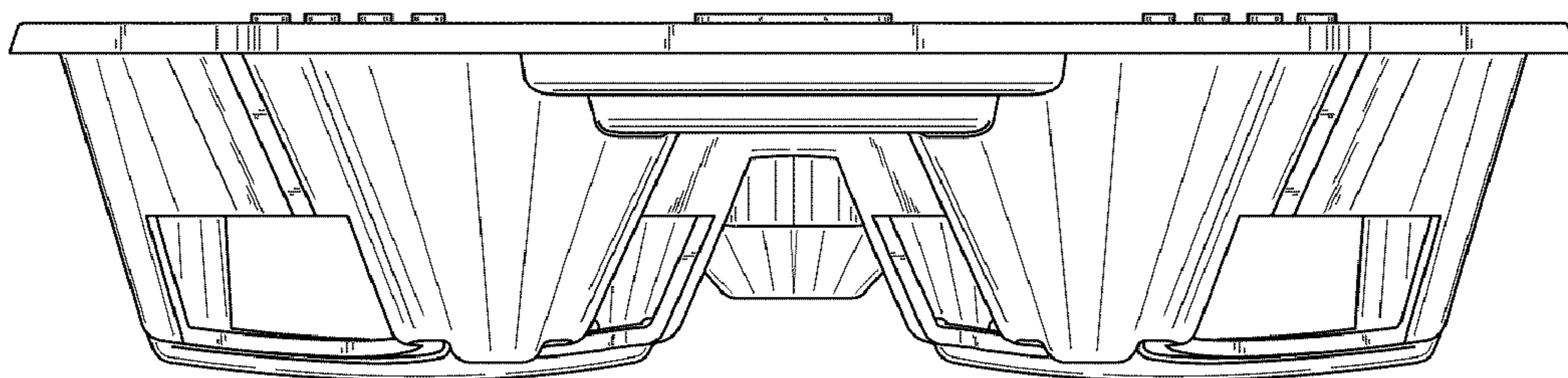


Fig. 2

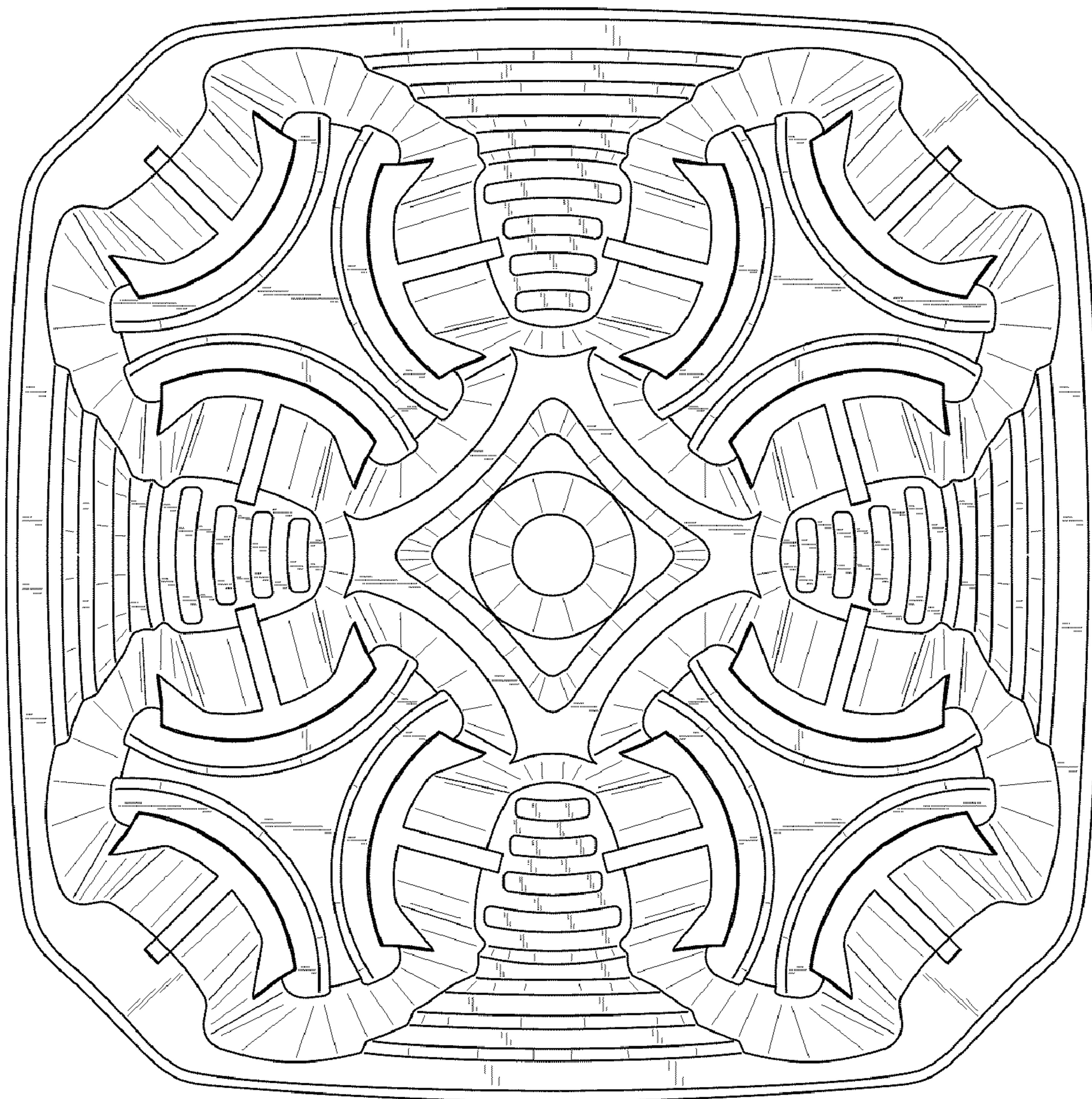


Fig. 3

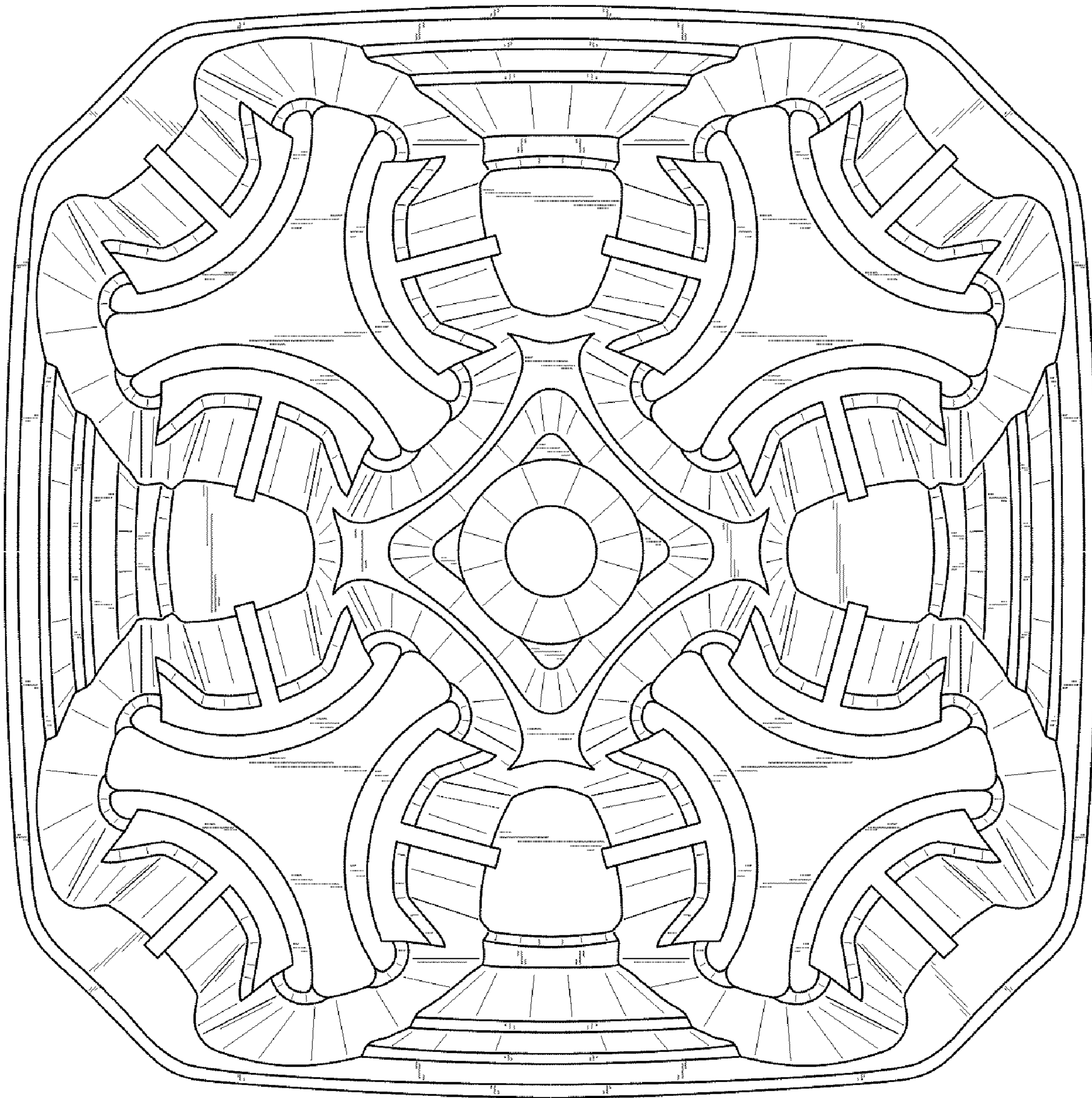


Fig. 4