



US00D614045S

(12) **United States Design Patent**  
**Gaudenzi et al.**

(10) **Patent No.:** **US D614,045 S**  
(45) **Date of Patent:** **\*\* Apr. 20, 2010**

(54) **BLISTER PACKAGING**

(75) Inventors: **Rodolfo Gaudenzi**, Bologna (IT);  
**Gabriele Forni**, Bologna (IT)

(73) Assignee: **Ima Safe S.R.L.**, Ozzano Emilia (IT)

(\*\*) Term: **14 Years**

(21) Appl. No.: **29/322,681**

(22) Filed: **Aug. 8, 2008**

(30) **Foreign Application Priority Data**

Feb. 22, 2008 (IT) ..... BO2008O0008

(51) **LOC (9) Cl.** ..... **09-03**

(52) **U.S. Cl.** ..... **D9/732**

(58) **Field of Classification Search** ..... D9/414,  
D9/415, 430, 432, 433, 730, 732, 737, 756-758,  
D9/761, 762; D3/201, 203.1, 203.2, 203.3,  
D3/264; D6/512, 515, 516; D21/100, 102,  
D21/107, 121, 218; 206/5, 5.1, 216, 461,  
206/462, 524.1, 527, 528, 531, 532, 538,  
206/539, 557, 546-566; 220/500

See application file for complete search history.

(56) **References Cited**

**U.S. PATENT DOCUMENTS**

D207,676 S \* 5/1967 Tugwood ..... D9/732  
D387,977 S \* 12/1997 Kallgren ..... D9/732  
D444,379 S \* 7/2001 Assargren et al. .... D9/732  
D454,781 S \* 3/2002 Assargren et al. .... D9/732

D455,344 S \* 4/2002 Assargren et al. .... D9/732  
D455,345 S \* 4/2002 Assargren et al. .... D9/732  
D455,953 S \* 4/2002 Assargren et al. .... D9/732  
D588,471 S \* 3/2009 Fluegel et al. .... D9/732  
D594,753 S \* 6/2009 Eadicicco et al. .... D9/732  
D597,418 S \* 8/2009 Stojek ..... D9/732  
D598,785 S \* 8/2009 Stojek ..... D9/732

\* cited by examiner

*Primary Examiner*—Stella M Reid

*Assistant Examiner*—Shanda C Hill

(74) *Attorney, Agent, or Firm*—Pearne & Gordon LLP

(57) **CLAIM**

The ornamental design for blister packaging, as shown and described.

**DESCRIPTION**

FIG. 1 is a perspective view of a blister packaging showing our new design;

FIG. 2 is a top plan view thereof;

FIG. 3 is a right side view thereof;

FIG. 4 is a left side view thereof;

FIG. 5 is a front view thereof;

FIG. 6 is a rear view thereof;

FIG. 7 is a bottom pan view thereof; and,

FIG. 8 is a side view thereof, shown in an alternate folded position.

**1 Claim, 2 Drawing Sheets**

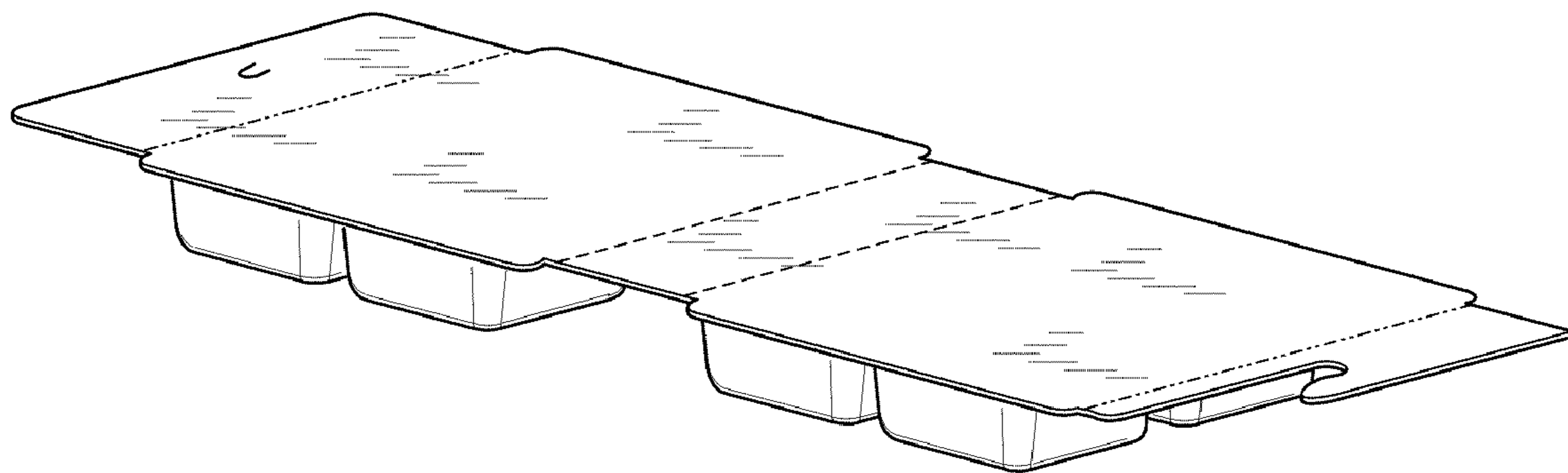


FIG.1

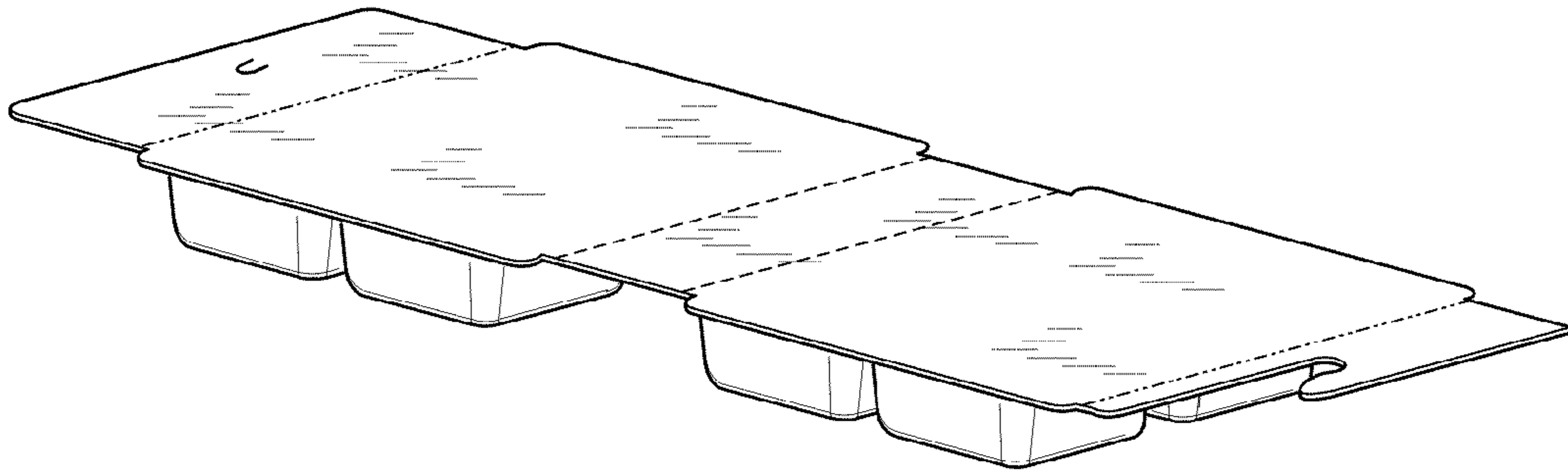


FIG.2

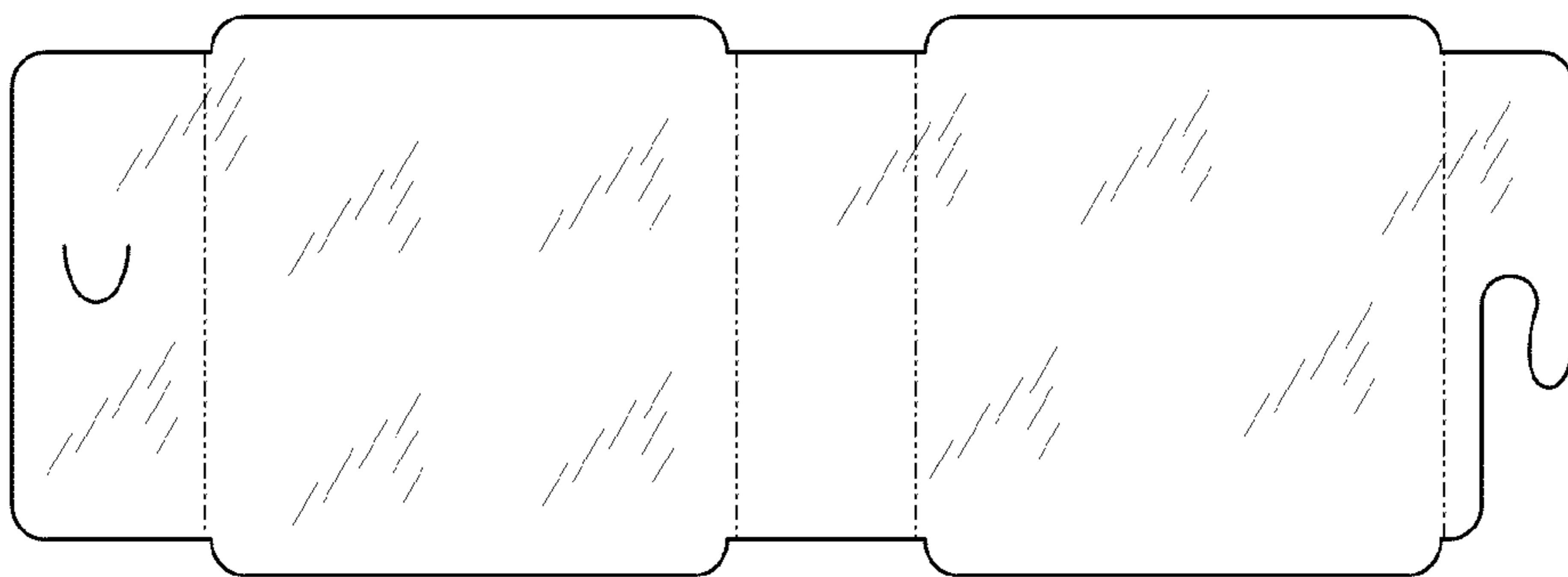


FIG.3

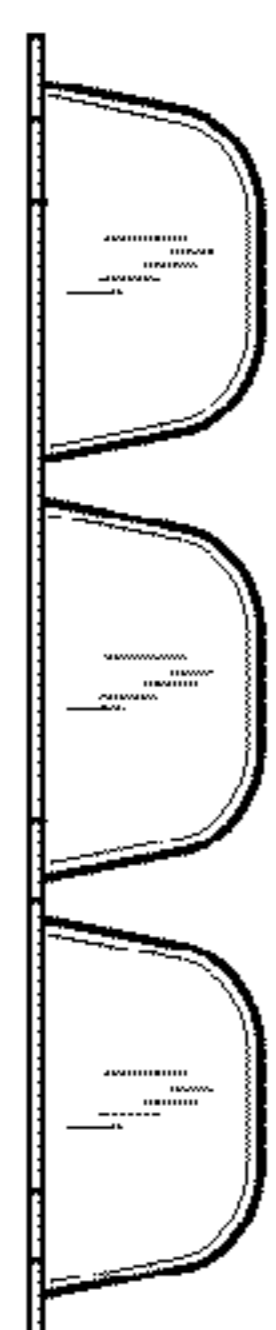


FIG.4



FIG.5

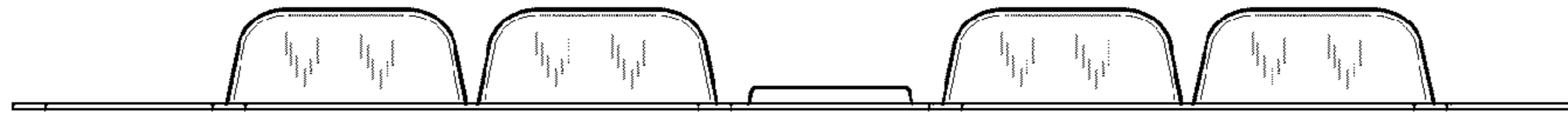


FIG.6

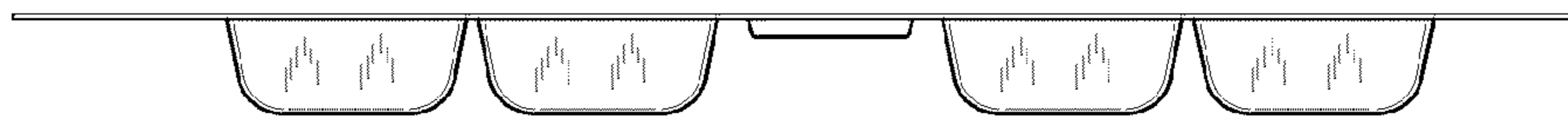


FIG.7

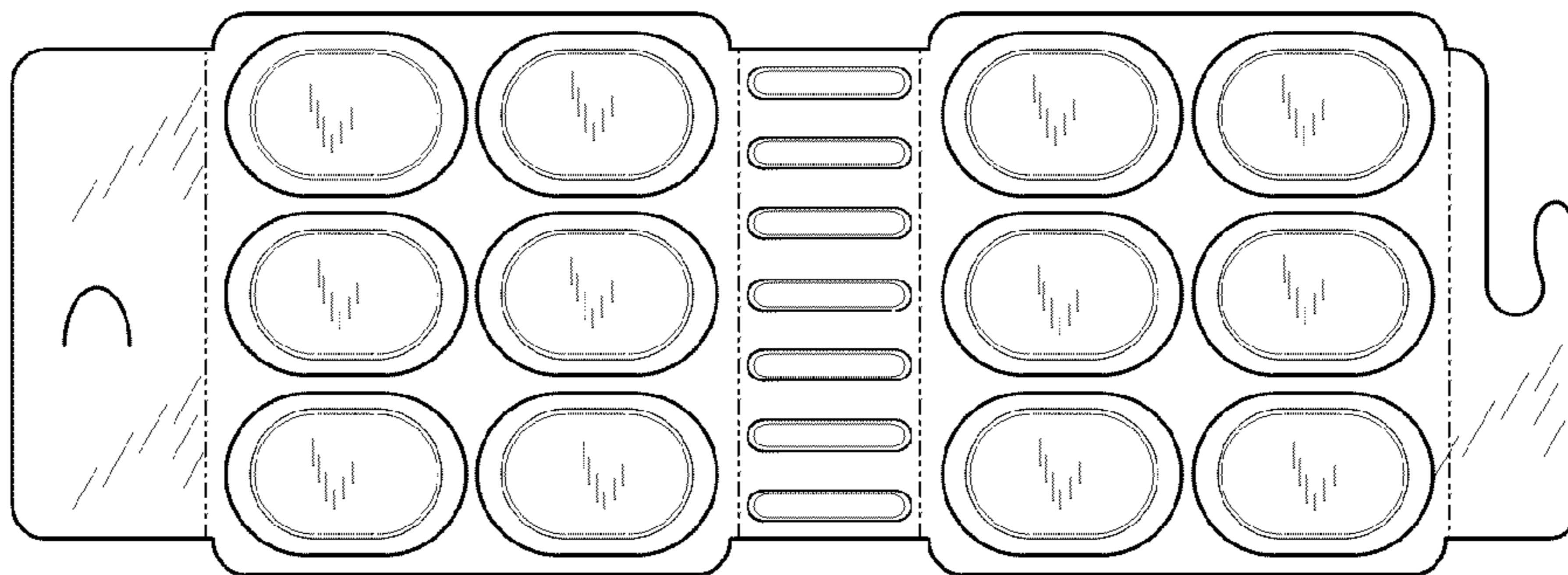


FIG.8

