



US00D614044S

(12) **United States Design Patent**  
**Mouquet**

(10) **Patent No.:** **US D614,044 S**  
(45) **Date of Patent:** **\*\* Apr. 20, 2010**

(54) **BOTTLE LOCK**

(75) Inventor: **Philippe Mouquet**, Paris (FR)

(73) Assignee: **Comptoir Nouveau de la Parfumerie**,  
Paris (FR)

(\*\*) Term: **14 Years**

(21) Appl. No.: **29/330,829**

(22) Filed: **Jan. 14, 2009**

(30) **Foreign Application Priority Data**

Jul. 16, 2008 (WO) ..... DM/070 862

(51) **LOC (9) Cl.** ..... **09-03**

(52) **U.S. Cl.** ..... **D9/719**

(58) **Field of Classification Search** ..... D9/529,  
D9/682, 685, 686, 687, 688, 690, 692, 694,  
D9/715, 718, 719; D8/330, 331, 333, 334;  
220/915; 222/645, 649; 215/382-385, 396,  
215/398

See application file for complete search history.

(56) **References Cited**

**U.S. PATENT DOCUMENTS**

- D244,579 S 6/1977 Dinand
- D272,006 S 12/1983 Geiger
- D309,860 S \* 8/1990 Fossati ..... D9/687
- D324,277 S 2/1992 Ortner
- D378,276 S 3/1997 Kotoucek et al.
- D438,097 S \* 2/2001 Krunas ..... D9/694
- D438,802 S 3/2001 Krunas
- D459,209 S 6/2002 Yamamoto
- D461,699 S \* 8/2002 Lavikainen et al. .... D8/334
- D484,776 S \* 1/2004 Ruan ..... D8/334

- D484,789 S \* 1/2004 Sgariboldi ..... D9/694
- D484,790 S \* 1/2004 Sgariboldi ..... D9/694
- D484,791 S \* 1/2004 Sgariboldi ..... D9/694
- D484,792 S \* 1/2004 Sgariboldi ..... D9/694
- D485,165 S \* 1/2004 Sgariboldi ..... D9/694
- D511,688 S 11/2005 Baron
- D512,638 S 12/2005 Baron
- D542,144 S 5/2007 Herrmann
- D542,670 S 5/2007 Herrmann
- D543,832 S \* 6/2007 Tsui ..... D8/334
- D549,587 S 8/2007 Lestelle
- D558,057 S 12/2007 De Baschmakoff
- D559,704 S \* 1/2008 Mouquet ..... D9/719
- D578,864 S \* 10/2008 Rohde et al. .... D8/334
- D588,469 S \* 3/2009 Pininfarina ..... D9/687

\* cited by examiner

*Primary Examiner*—Stella M Reid

*Assistant Examiner*—Shanda C Hill

(74) *Attorney, Agent, or Firm*—Foley & Lardner LLP

(57) **CLAIM**

I claim the ornamental design for a bottle lock, as shown and described.

**DESCRIPTION**

FIG. 1 is a top front perspective view of a bottle lock according to my new design;

FIG. 2 is a front view of the bottle lock shown in FIG. 1;

FIG. 3 is a rear view of the bottle lock shown in FIG. 1;

FIG. 4 is a right side view of the bottle lock shown in FIG. 1;

FIG. 5 is a left side view of the bottle lock shown in FIG. 1;

FIG. 6 is a top view of the bottle lock shown in FIG. 1; and,

FIG. 7 is a bottom view of the bottle lock shown in FIG. 1.

**1 Claim, 3 Drawing Sheets**

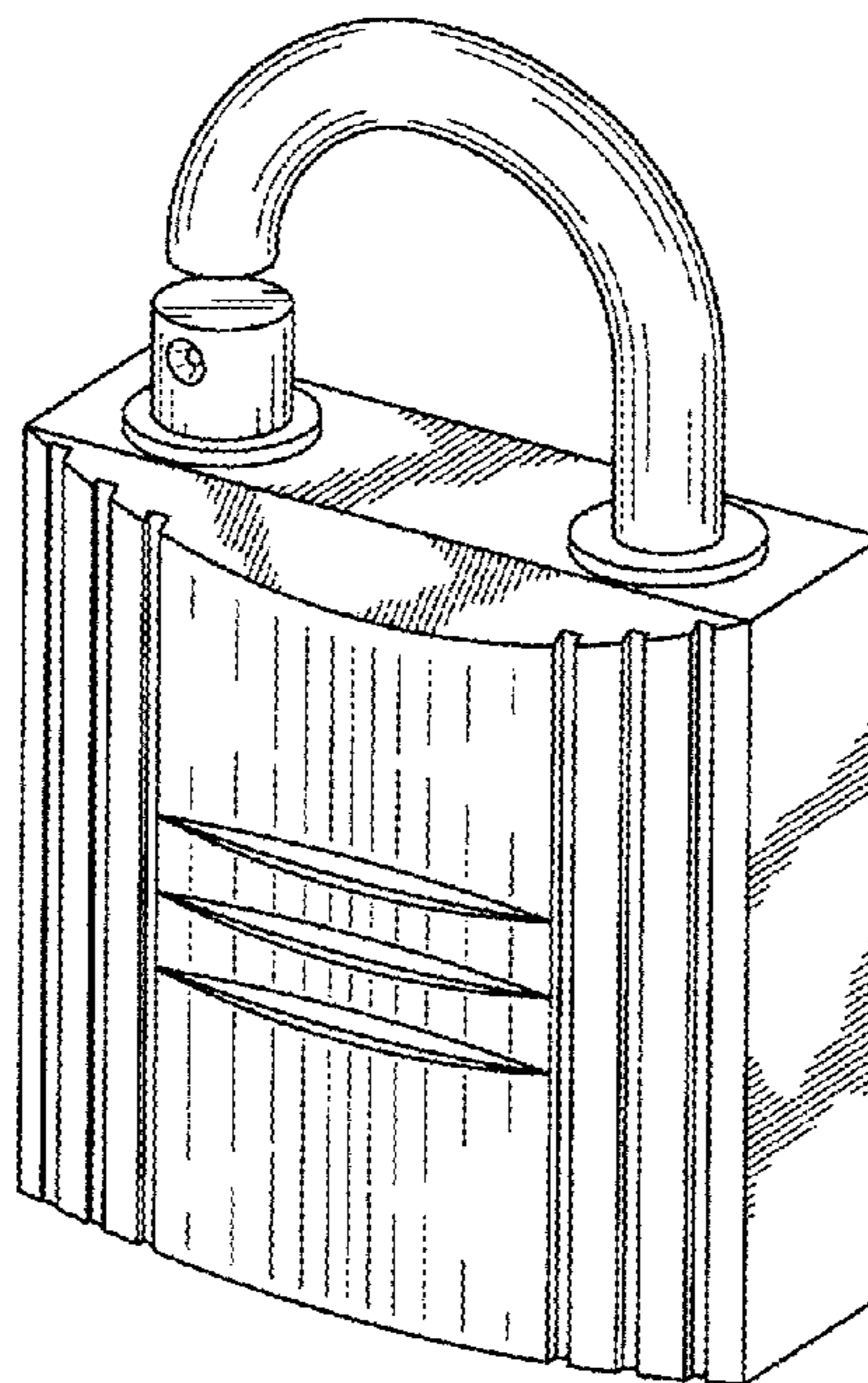


Fig. 1

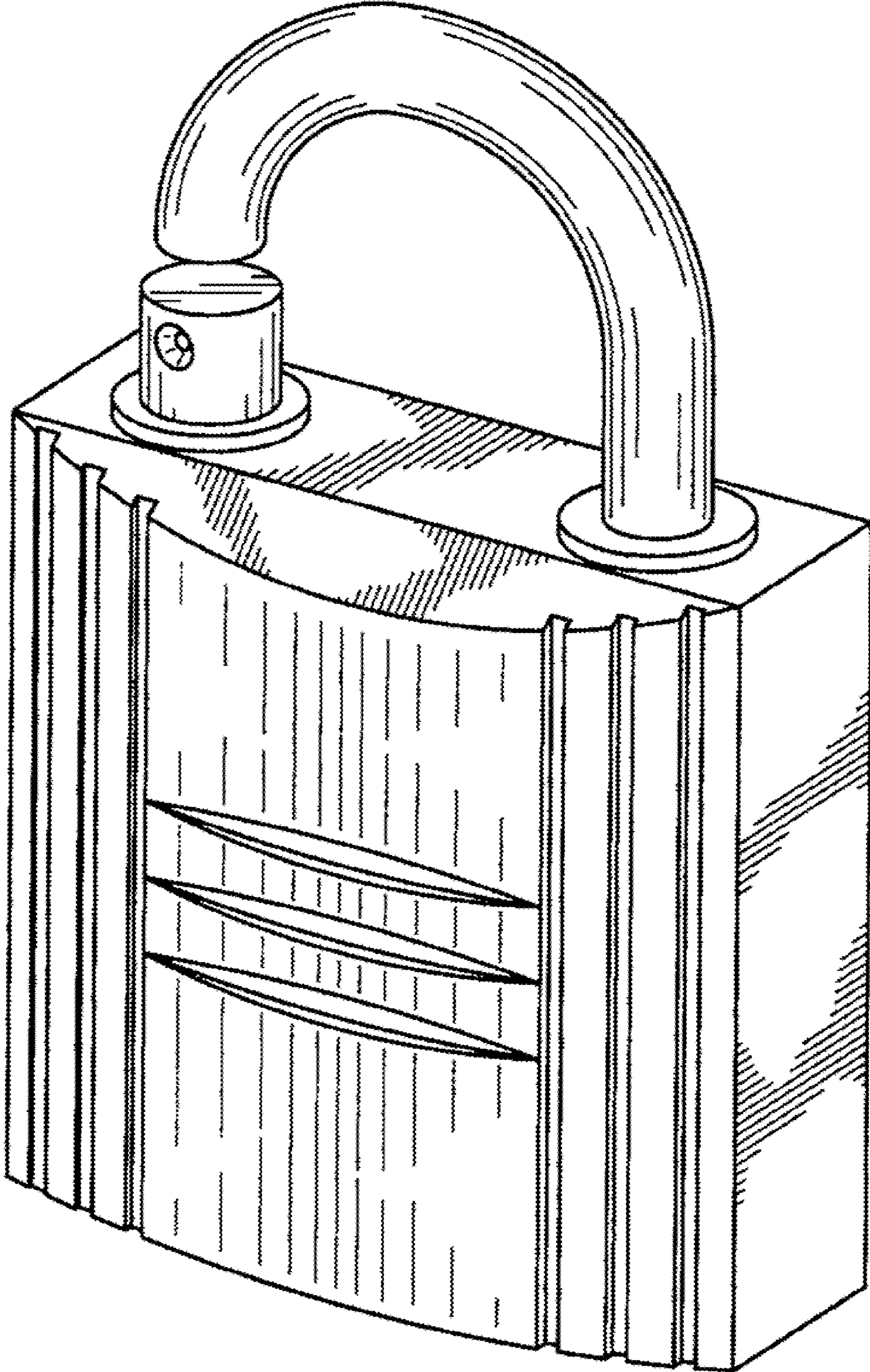




Fig. 2

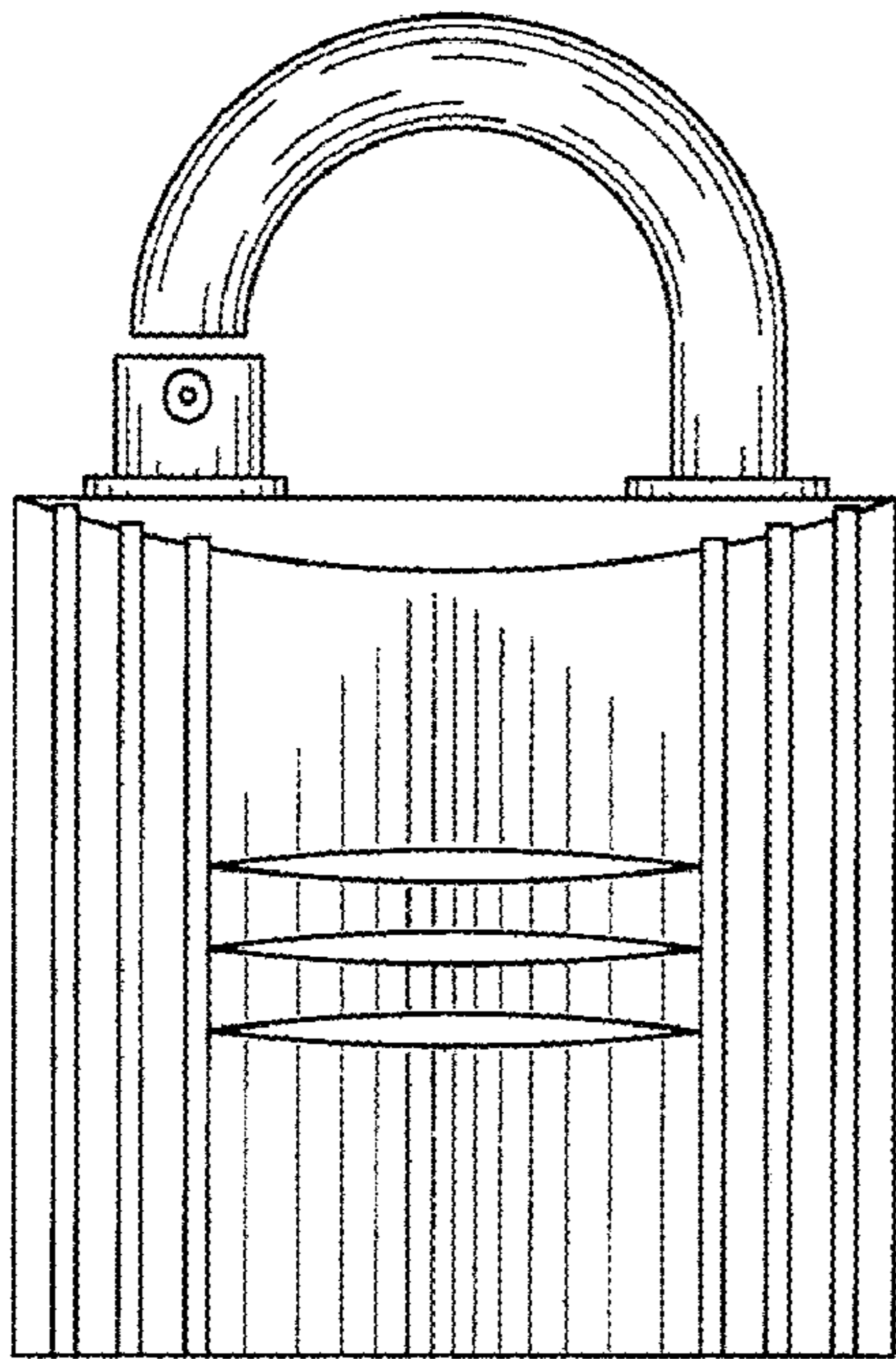


Fig. 3

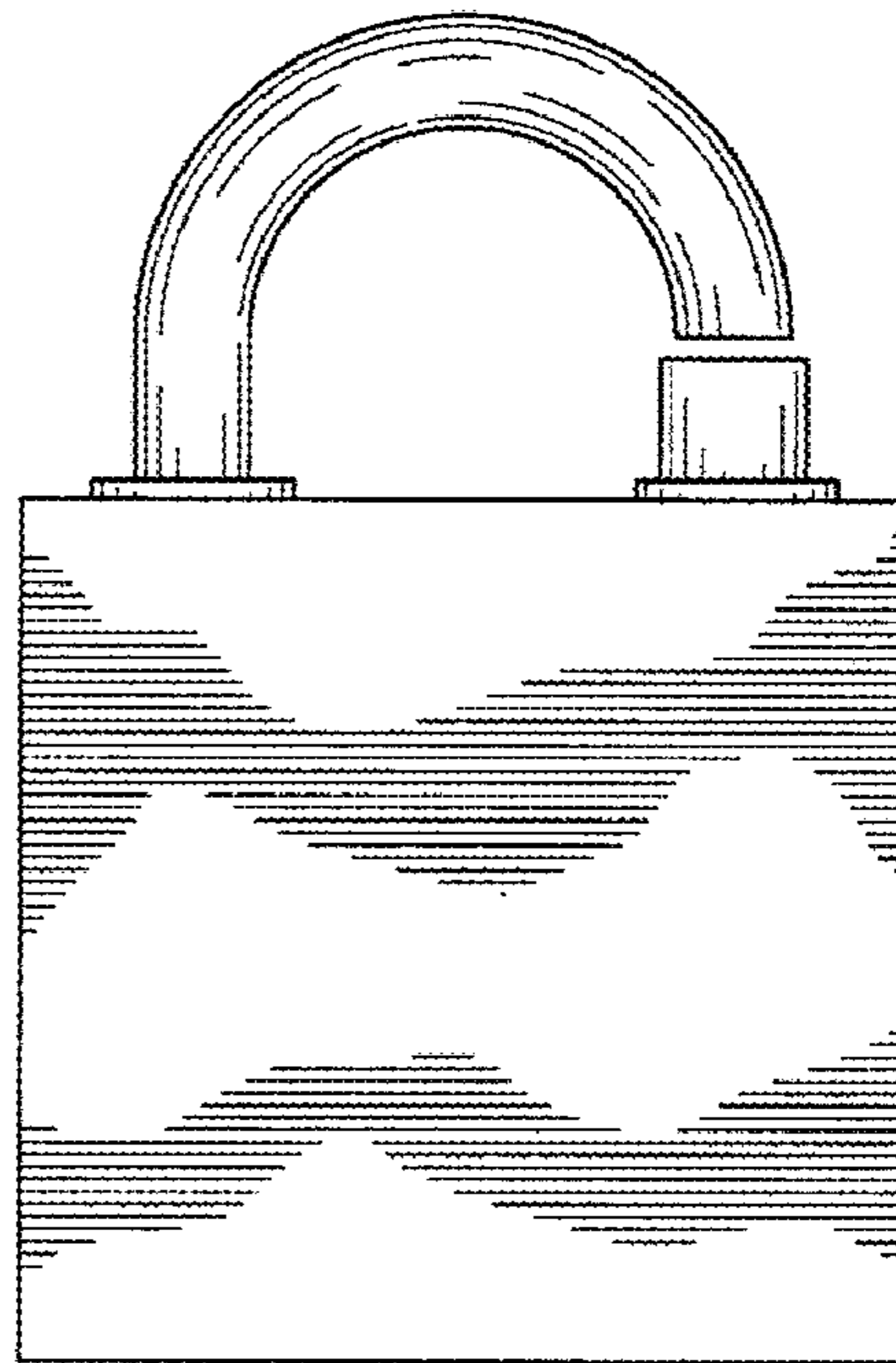


Fig. 4

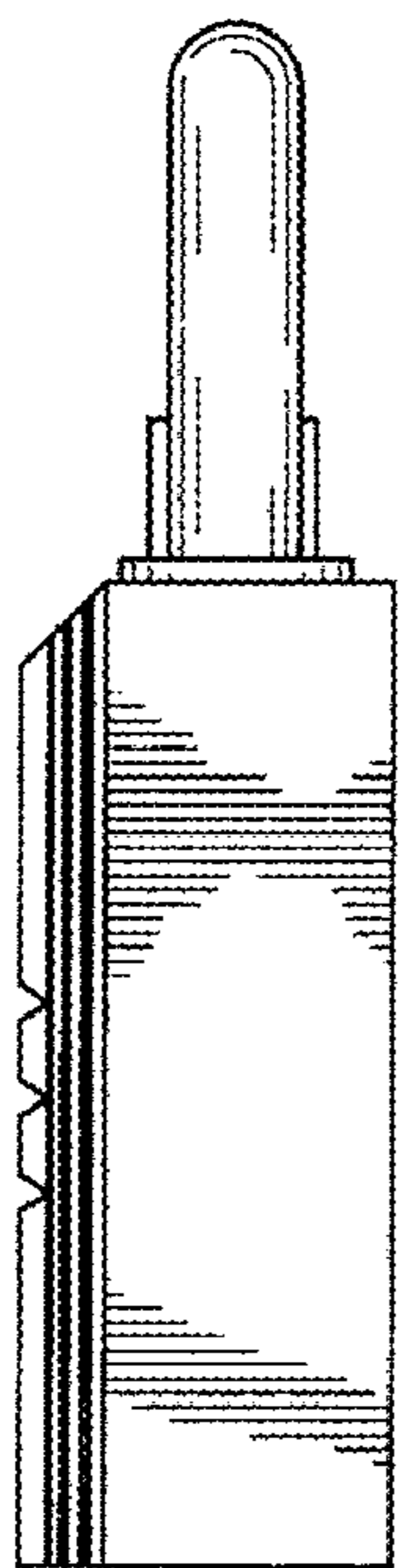


Fig. 5

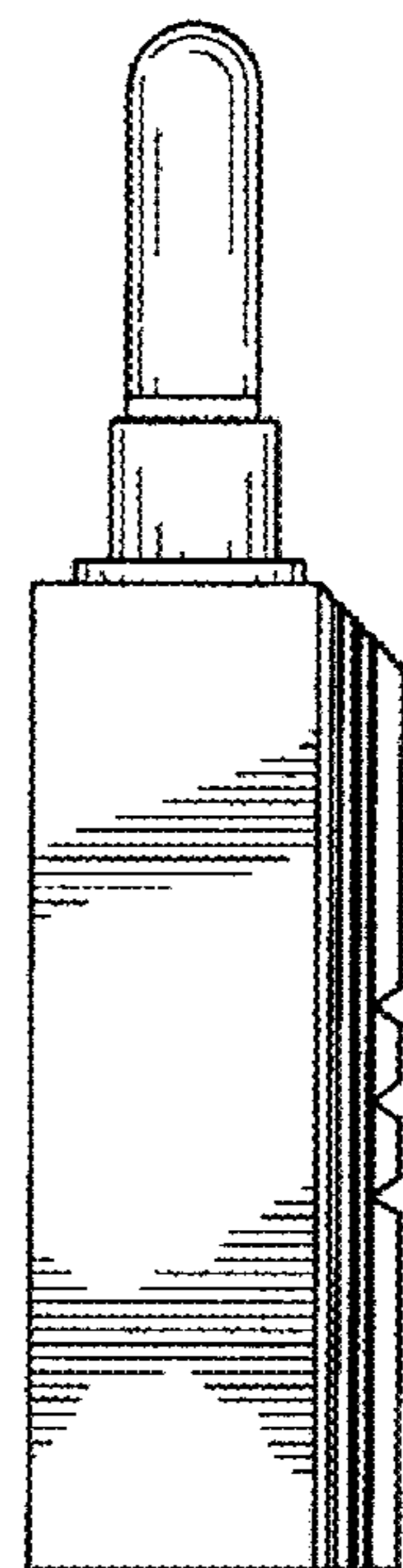


Fig. 6

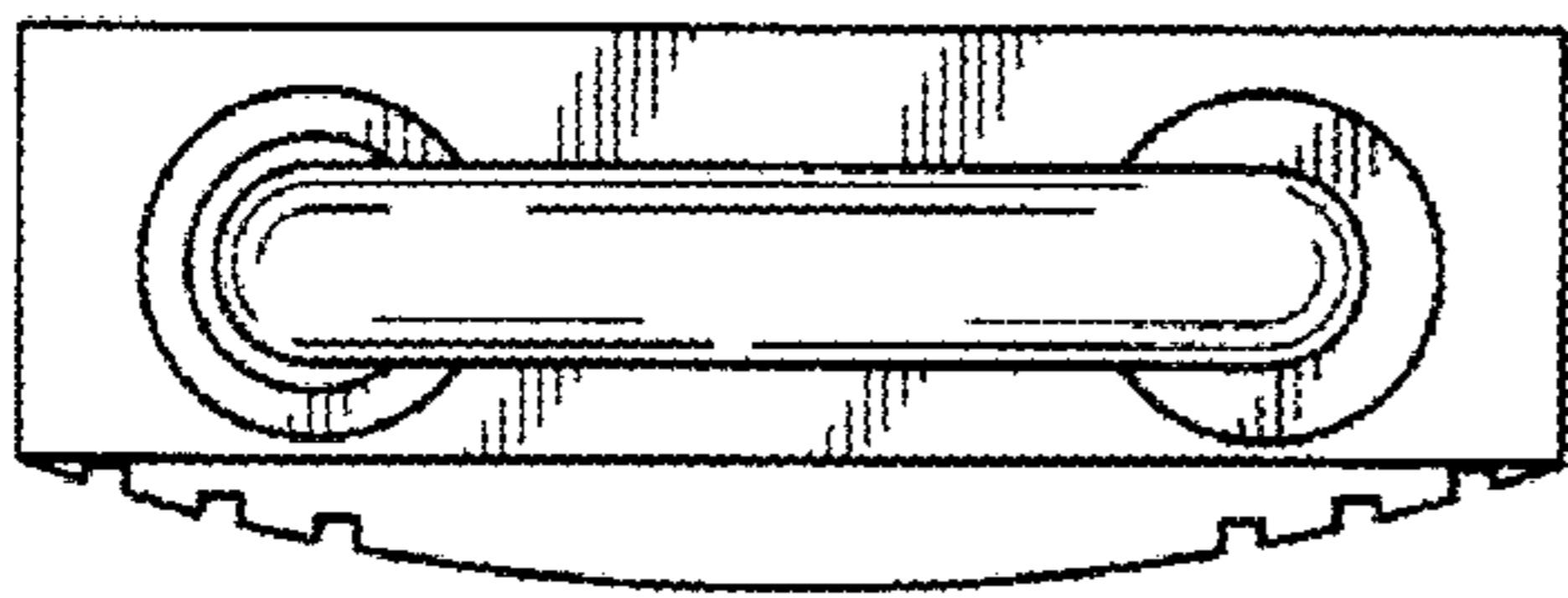


Fig. 7

